



US00D700667S

(12) **United States Design Patent**
Ross

(10) **Patent No.:** **US D700,667 S**
(45) **Date of Patent:** **** Mar. 4, 2014**

(54) **EXERCISE MACHINE**

(76) Inventor: **Michael Peter Ross**, San Diego, CA
(US)

(**) Term: **14 Years**

(21) Appl. No.: **29/417,444**

(22) Filed: **Apr. 3, 2012**

(51) **LOC (10) Cl.** **21-02**

(52) **U.S. Cl.**
USPC **D21/662**

(58) **Field of Classification Search**
USPC D21/662, 665-666, 671, 673-676, 679,
D21/686, 690, 691, 693, 694; 482/72,
482/92-97, 99-100, 102-103, 121-123,
482/130, 140-142; D24/183

See application file for complete search history.

(56) **References Cited**

U.S. PATENT DOCUMENTS

D194,268 S * 12/1962 Clinton D21/675
3,446,503 A * 5/1969 Lawton 482/96
D288,224 S * 2/1987 Rockwell D21/675
4,662,361 A * 5/1987 Patterson 601/24

4,691,918 A * 9/1987 Rockwell 482/133
D300,647 S * 4/1989 Griffin D21/675
D342,771 S * 12/1993 Tandberg D21/673
D349,140 S * 7/1994 Rockwell D21/674
D374,696 S * 10/1996 Degelman D21/690
D392,004 S * 3/1998 Van Der Hoeven et al. . D21/673
D472,285 S * 3/2003 Kuo D21/676
D542,867 S * 5/2007 Teruo D21/688
D552,738 S * 10/2007 Helfet D24/183

* cited by examiner

Primary Examiner — Phillip S Hyder

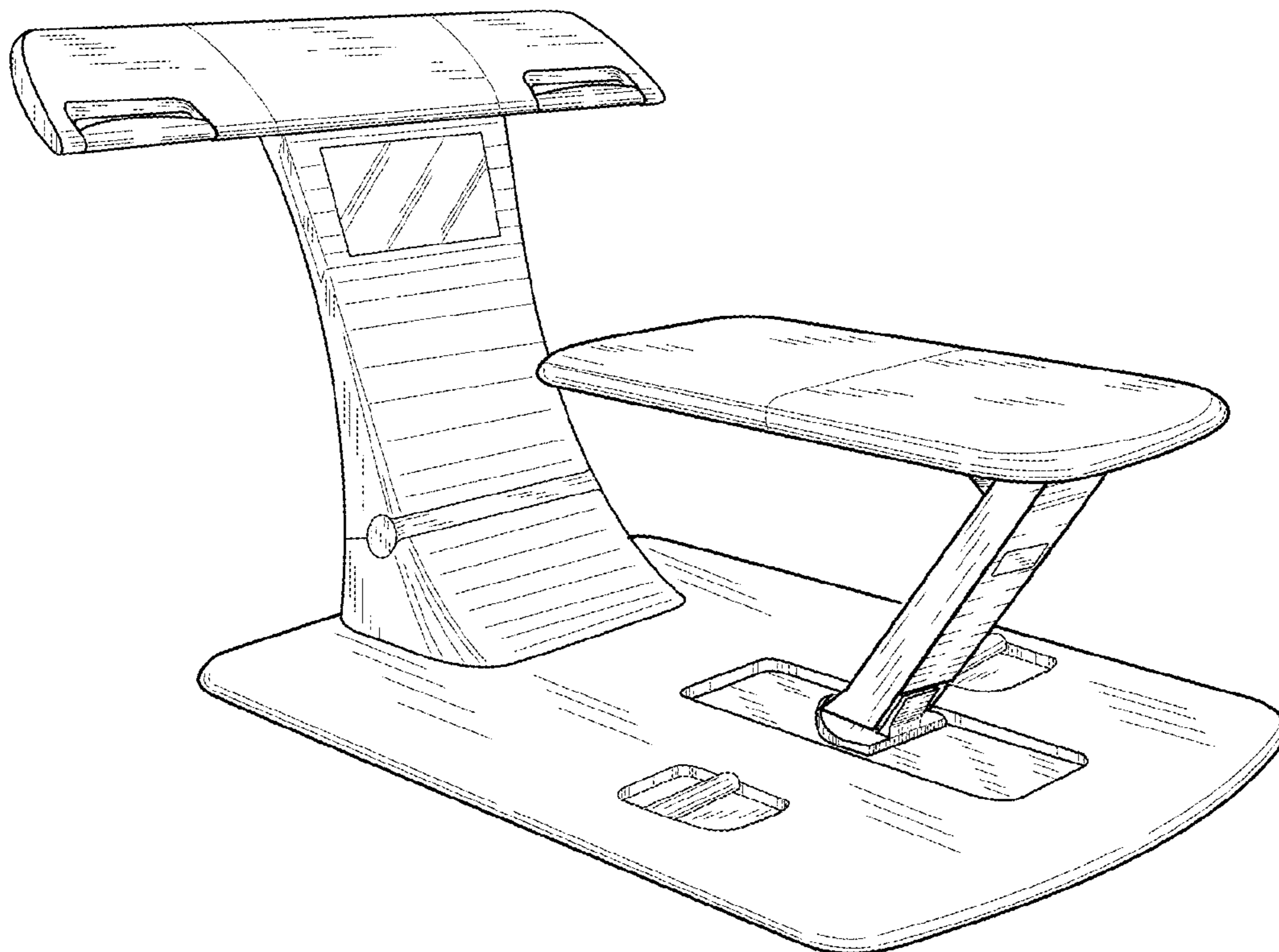
(57) **CLAIM**

The ornamental design for an exercise machine, as shown and described.

DESCRIPTION

FIG. 1 is a perspective view of an exercise machine;
FIG. 2 is a front elevational view thereof;
FIG. 3 is a rear elevational view thereof;
FIG. 4 is a left-side elevational view thereof;
FIG. 5 is a right-side elevational view thereof;
FIG. 6 is a top plan view thereof; and,
FIG. 7 is a bottom plan view thereof.

1 Claim, 7 Drawing Sheets



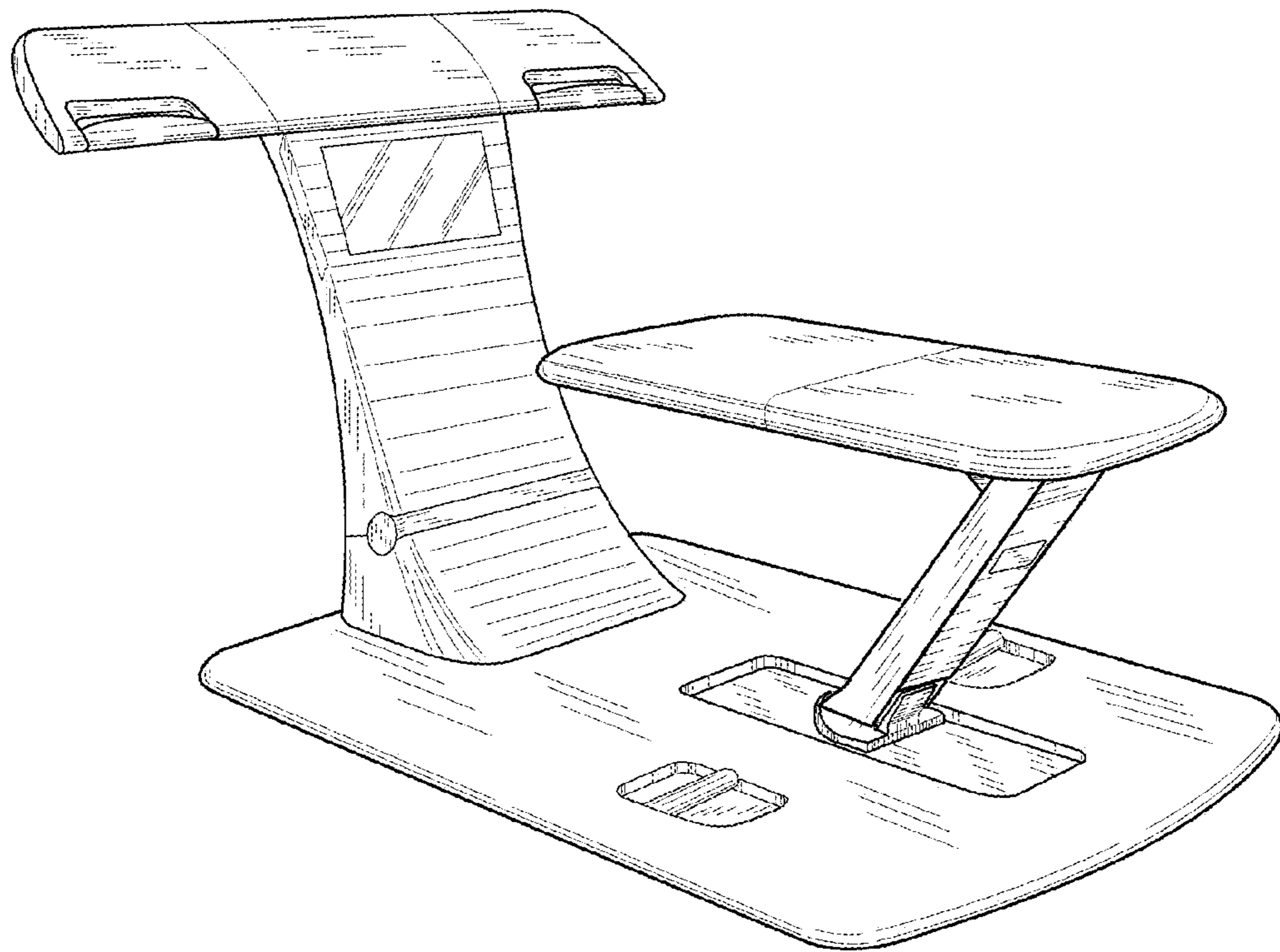


FIG. 1

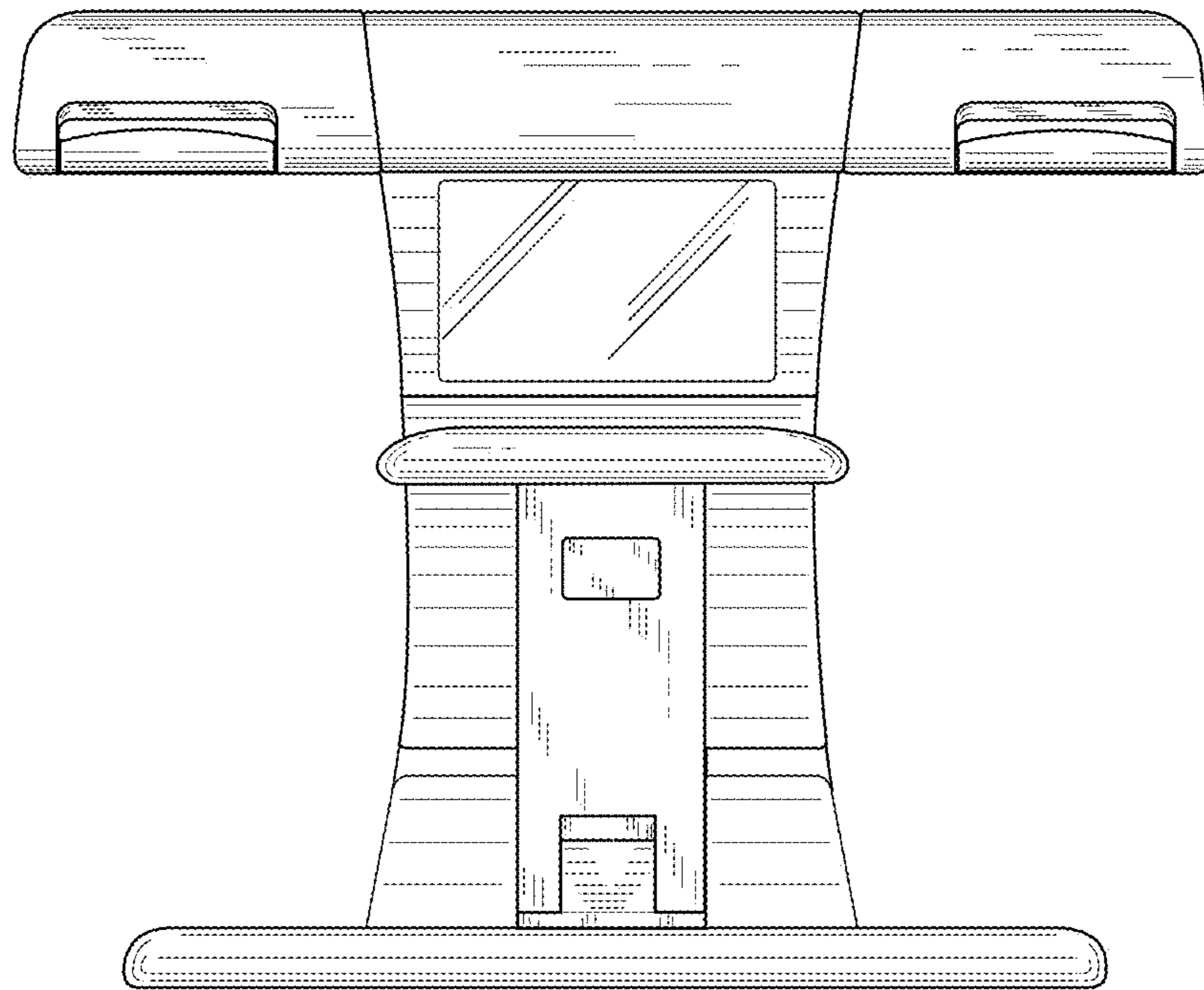


FIG. 2

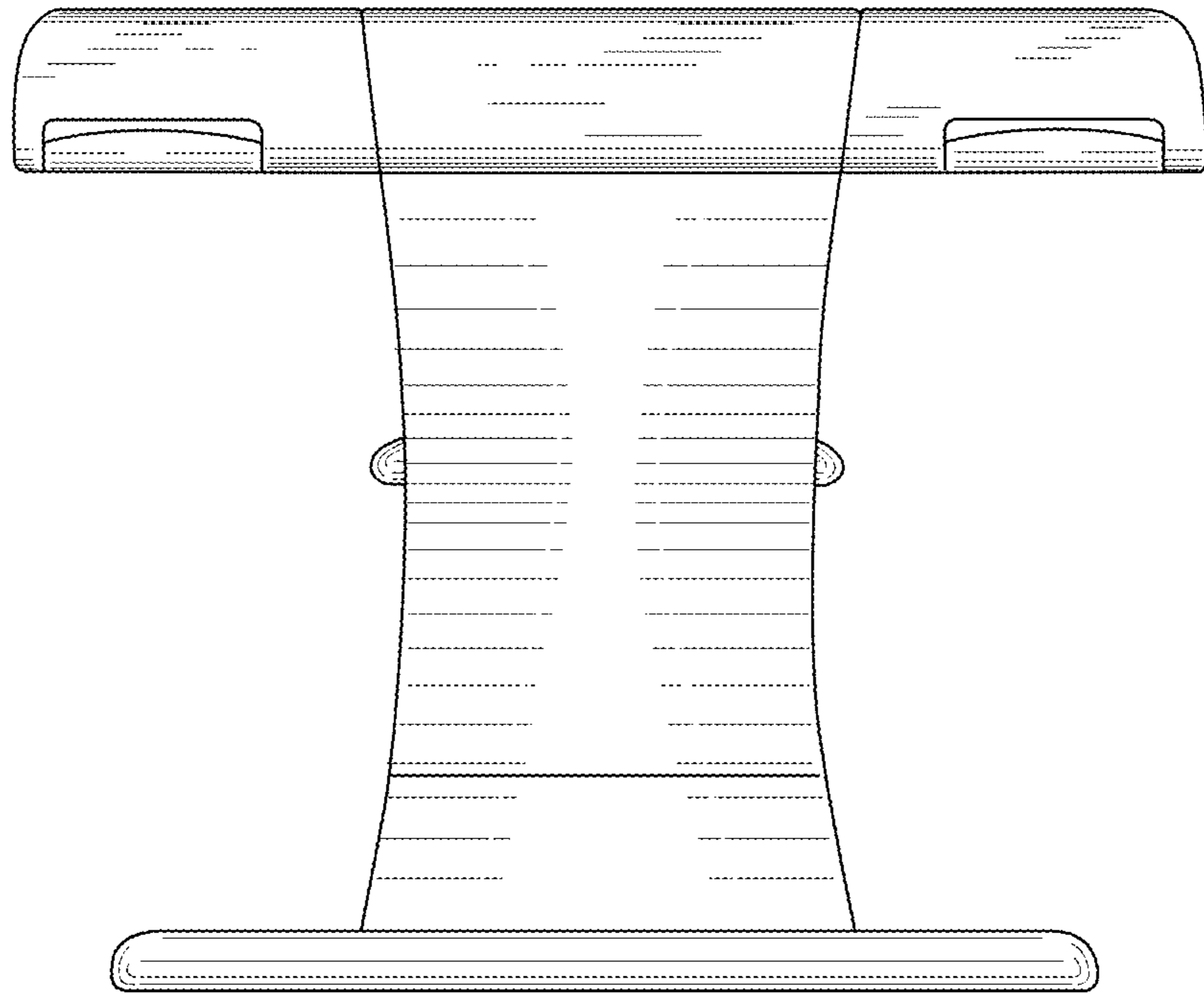


FIG. 3

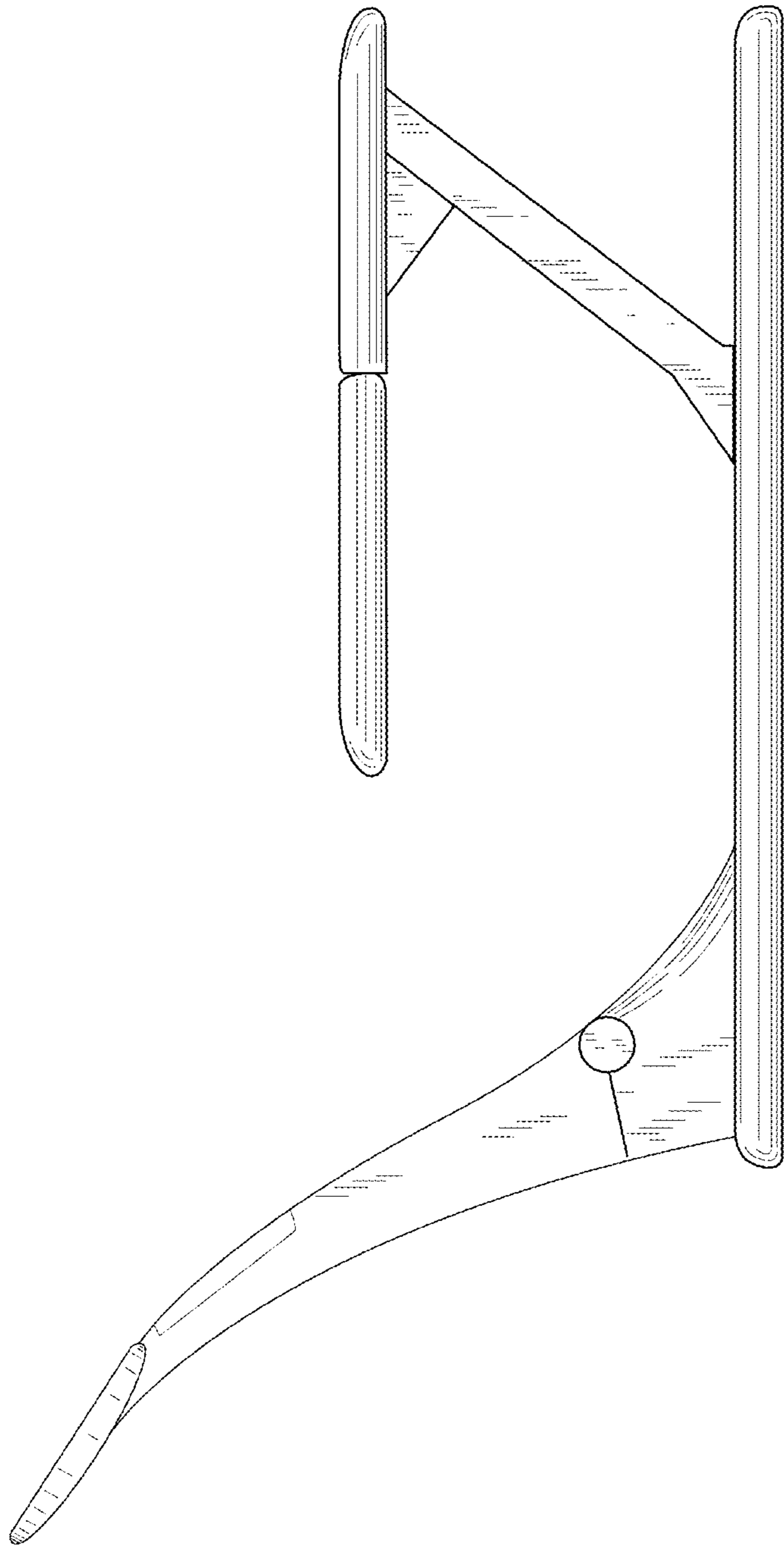


FIG. 4

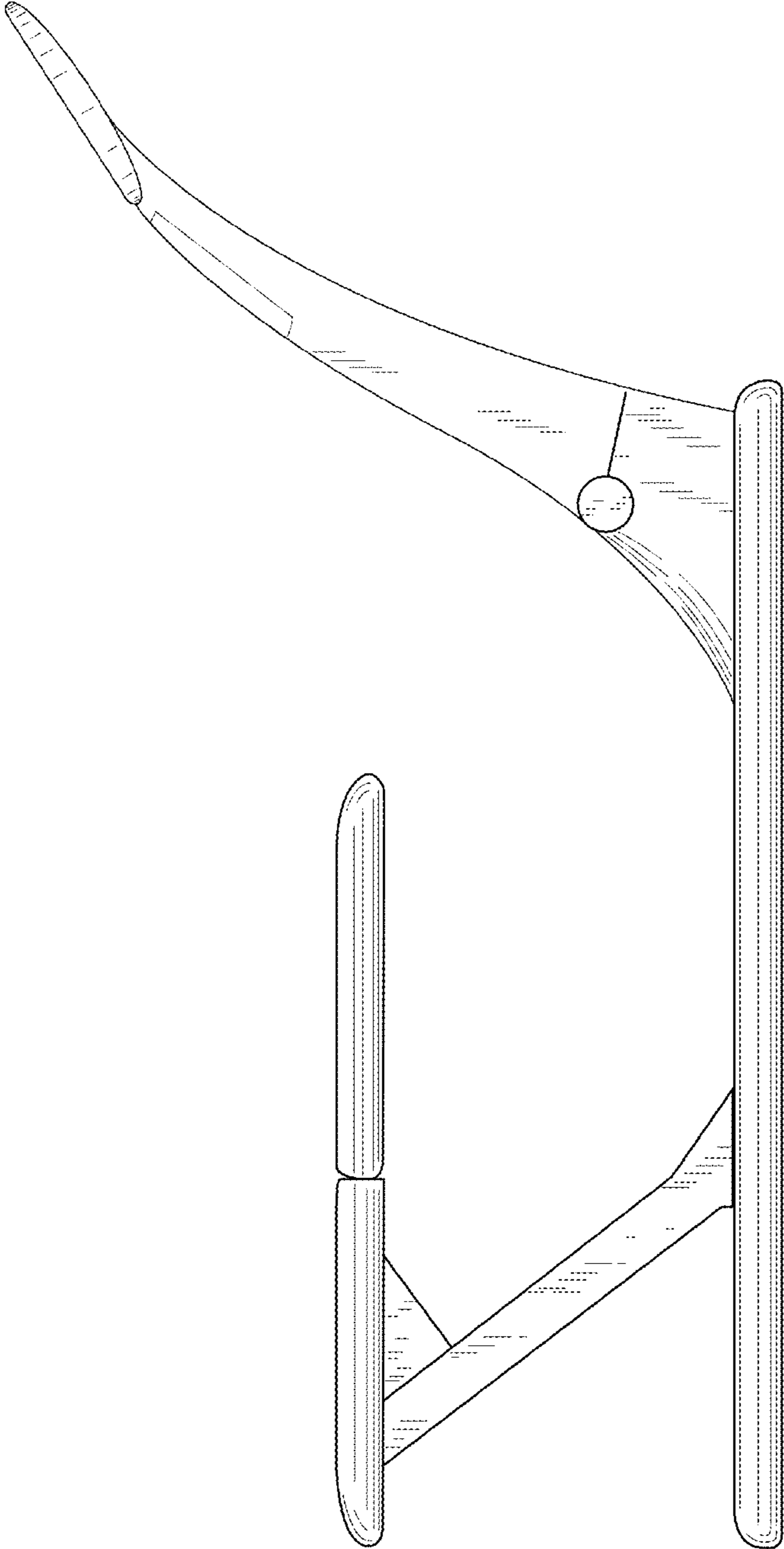


FIG. 5

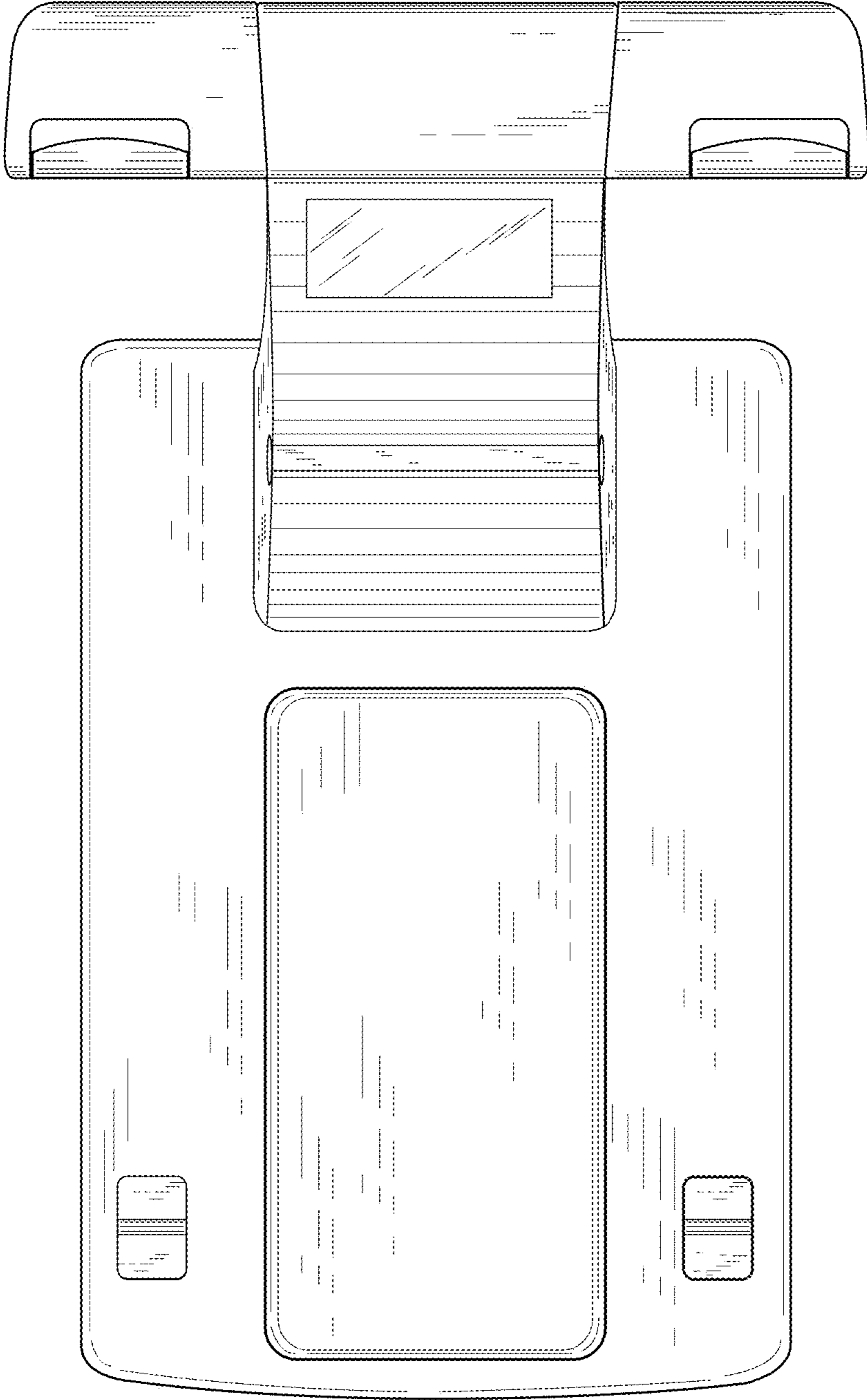


FIG. 6

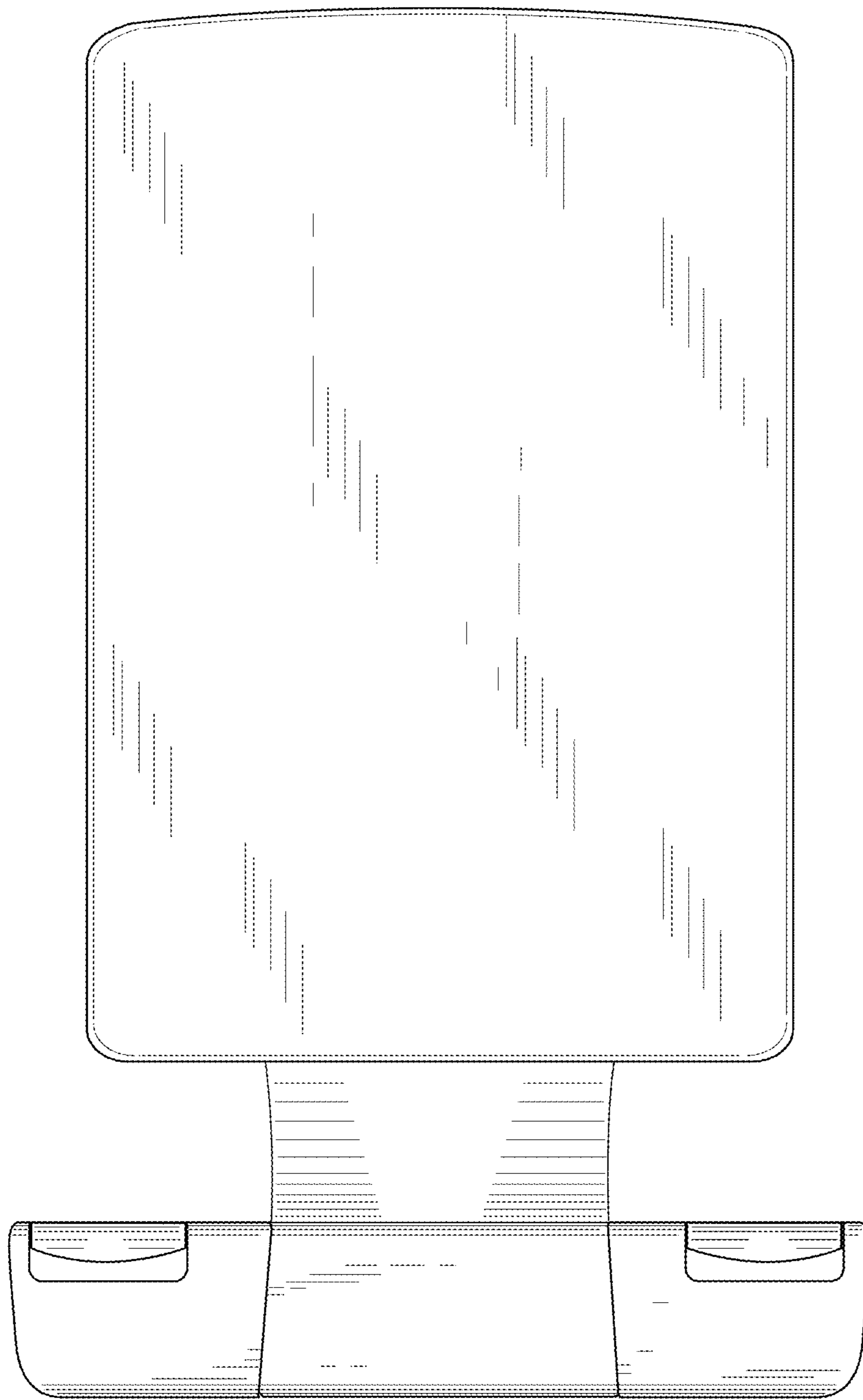


FIG. 7