



US00D700659S

(12) **United States Design Patent**
Ellison

(10) **Patent No.:** **US D700,659 S**
(45) **Date of Patent:** **** Mar. 4, 2014**

(54) **NON-ADHESIVE IDENTIFICATION LABEL**

(71) Applicant: **Kay Lee Marie Ellison**, St. Charles, MO
(US)

(72) Inventor: **Kay Lee Marie Ellison**, St. Charles, MO
(US)

(**) Term: **14 Years**

(21) Appl. No.: **29/435,241**

(22) Filed: **Oct. 22, 2012**

(51) **LOC (10) Cl.** **19-08**

(52) **U.S. Cl.**
USPC **D20/27**

(58) **Field of Classification Search**

USPC D20/10, 11, 19, 22-28, 40, 99; 40/1.5,
40/5, 6, 27.5, 124.01-124.09,
40/124.11-124.19, 124.191, 299.01, 300,
40/306, 310, 312, 316, 360, 617, 625, 630,
40/638, 673; D8/356; D19/1, 9; D24/189;
24/713.4; 222/108; 248/694; 283/56,
283/71, 81; 340/572.1; 428/40.1,
428/42.1-42.3, 43, 195.1, 914

See application file for complete search history.

(56) **References Cited**

U.S. PATENT DOCUMENTS

1,345,782 A * 7/1920 Keller 40/673
2,264,489 A * 12/1941 Tiegler et al. 248/694

3,221,427 A * 12/1965 Kaplan 40/630
5,789,050 A * 8/1998 Kang 428/42.3
5,848,488 A * 12/1998 Norwood 40/617
6,325,247 B1 * 12/2001 Iggulden 222/108
D508,087 S * 8/2005 Lawson D20/40
D650,017 S * 12/2011 Bevan D20/27
2009/0188142 A1 * 7/2009 Chamandy 40/625
2011/0113606 A1 * 5/2011 Sloan 24/713.4
2013/0113627 A1 * 5/2013 Tiedmann 340/572.1

* cited by examiner

Primary Examiner — Mary Ann Calabrese

(74) *Attorney, Agent, or Firm* — Grace J. Fishel

(57) **CLAIM**

The ornamental design for a non-adhesive identification label, as shown and described.

DESCRIPTION

FIG. 1 is a perspective view of a non-adhesive identification label showing my new design in use;

FIG. 2 is a top plan view thereof, the bottom plan view being a mirror image;

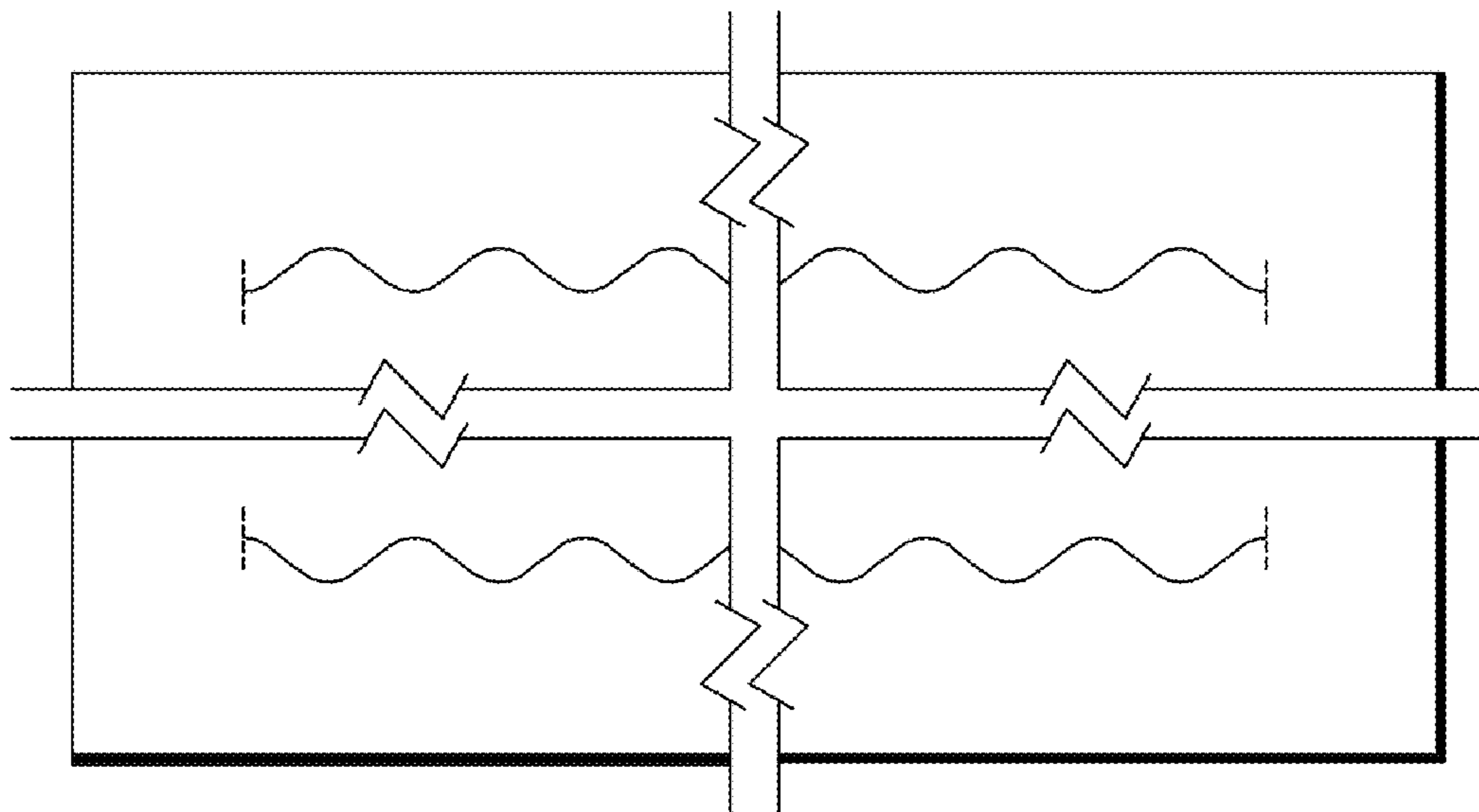
FIG. 3 is a right side elevation thereof, the left side elevation being a mirror image; and,

FIG. 4 is an right end elevation thereof, the left end elevation being a mirror image.

The features shown in broken lines in FIG. 1 denote the nature and environmental use of the design and are not part of the claimed design.

The break lines indicate no specific length or width.

1 Claim, 2 Drawing Sheets



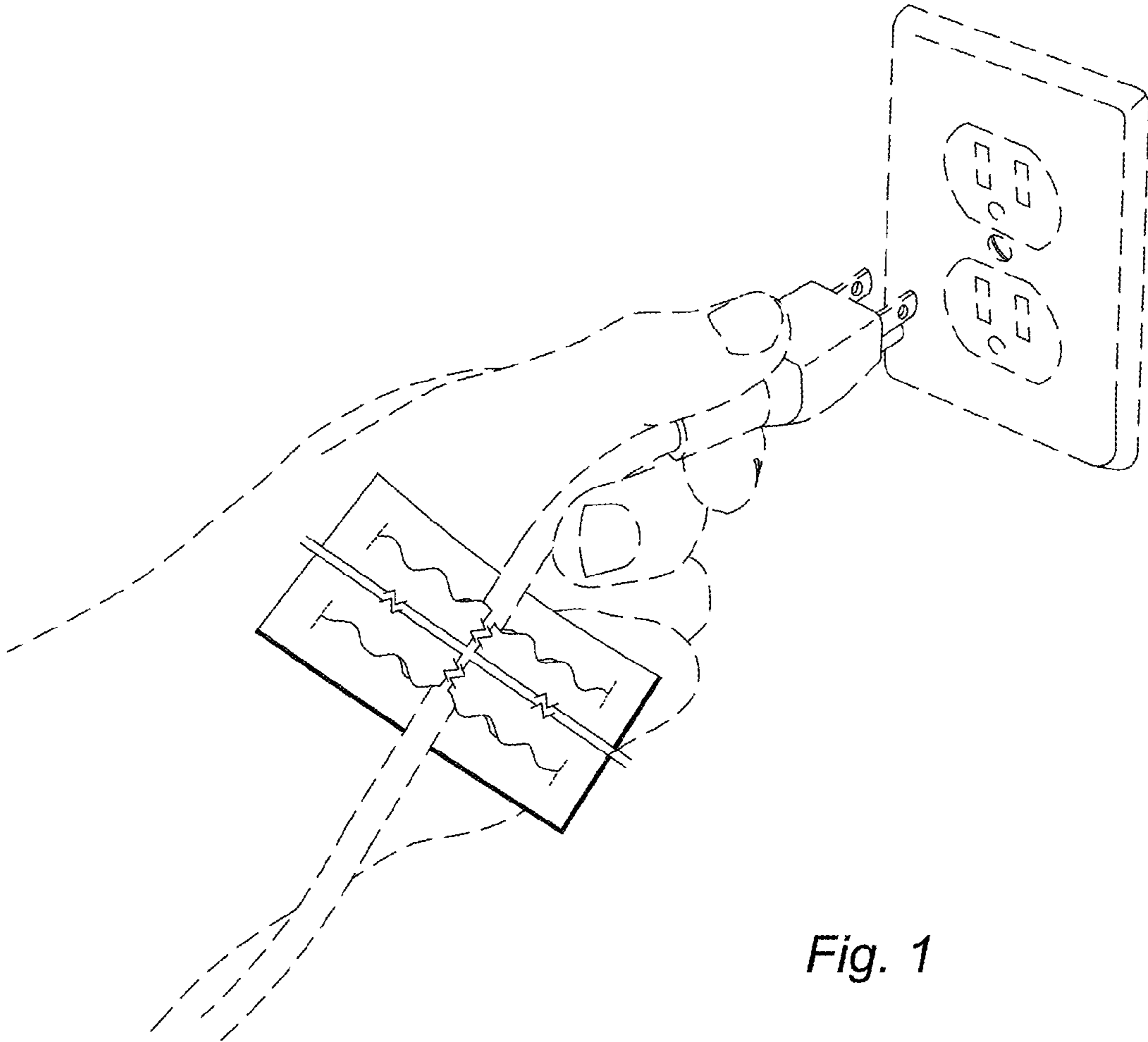


Fig. 1

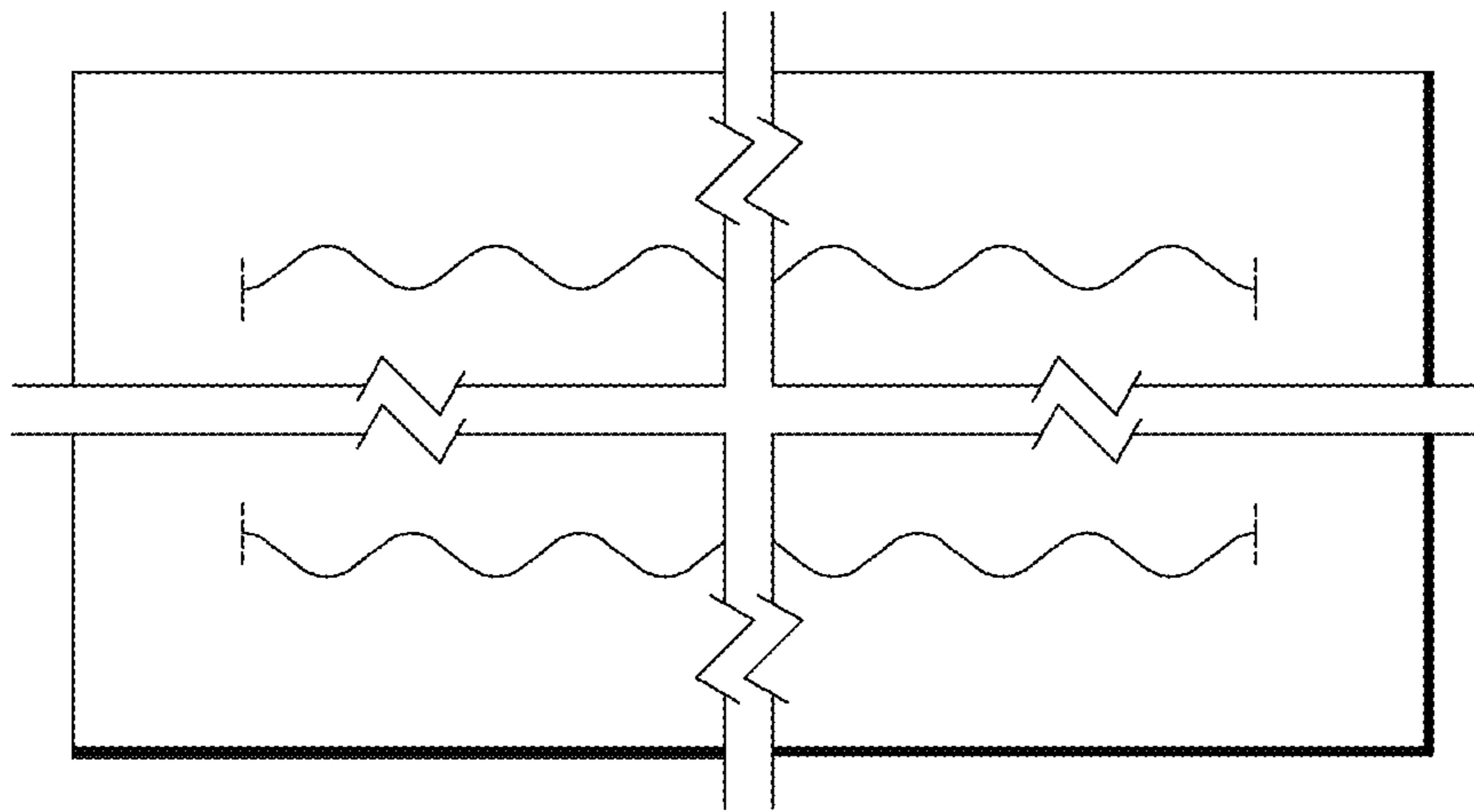


Fig. 2



Fig. 3



Fig. 4