



US00D700654S

(12) **United States Design Patent**  
**Wu**

(10) **Patent No.:** **US D700,654 S**  
(45) **Date of Patent:** **\*\* Mar. 4, 2014**

- (54) **BUSINESS CARD HOLDER**
- (71) Applicant: **Lien Wu**, New York, NY (US)
- (72) Inventor: **Lien Wu**, New York, NY (US)
- (\*\*) Term: **14 Years**
- (21) Appl. No.: **29/466,158**
- (22) Filed: **Sep. 4, 2013**
- (51) **LOC (10) Cl.** ..... **19-02**
- (52) **U.S. Cl.**  
USPC ..... **D19/91**
- (58) **Field of Classification Search**  
USPC ..... D6/512, 513, 518, 675, 675.1, 675.2,  
D6/682.2, 683, 683.1, 700, 704, 705, 706;  
D9/734, 737; D19/65, 75, 77, 78,  
D19/86-92; 206/39.5, 215, 494, 555;  
211/45, 50, 126.1, 126.13, 126.16;  
221/45, 46, 56  
See application file for complete search history.

917,170	A *	4/1909	Short	.....	211/50
1,235,225	A *	7/1917	Miller	.....	211/58
2,167,375	A *	7/1939	Rubenstein	.....	211/50
2,698,690	A *	1/1955	Rubenstein	.....	211/106
2,897,975	A *	8/1959	Rubenstein	.....	211/106
D296,279	S *	6/1988	Baldree et al.	.....	D6/462
D314,845	S *	2/1991	Seamster, Jr.	.....	D32/4
D336,927	S *	6/1993	Samuels et al.	.....	D19/90
6,527,128	B1 *	3/2003	Samaria	.....	211/106
D496,403	S *	9/2004	Takseraas	.....	D19/86

\* cited by examiner

*Primary Examiner* — Elizabeth Albert  
(74) *Attorney, Agent, or Firm* — QuickPatents; Kevin Prince

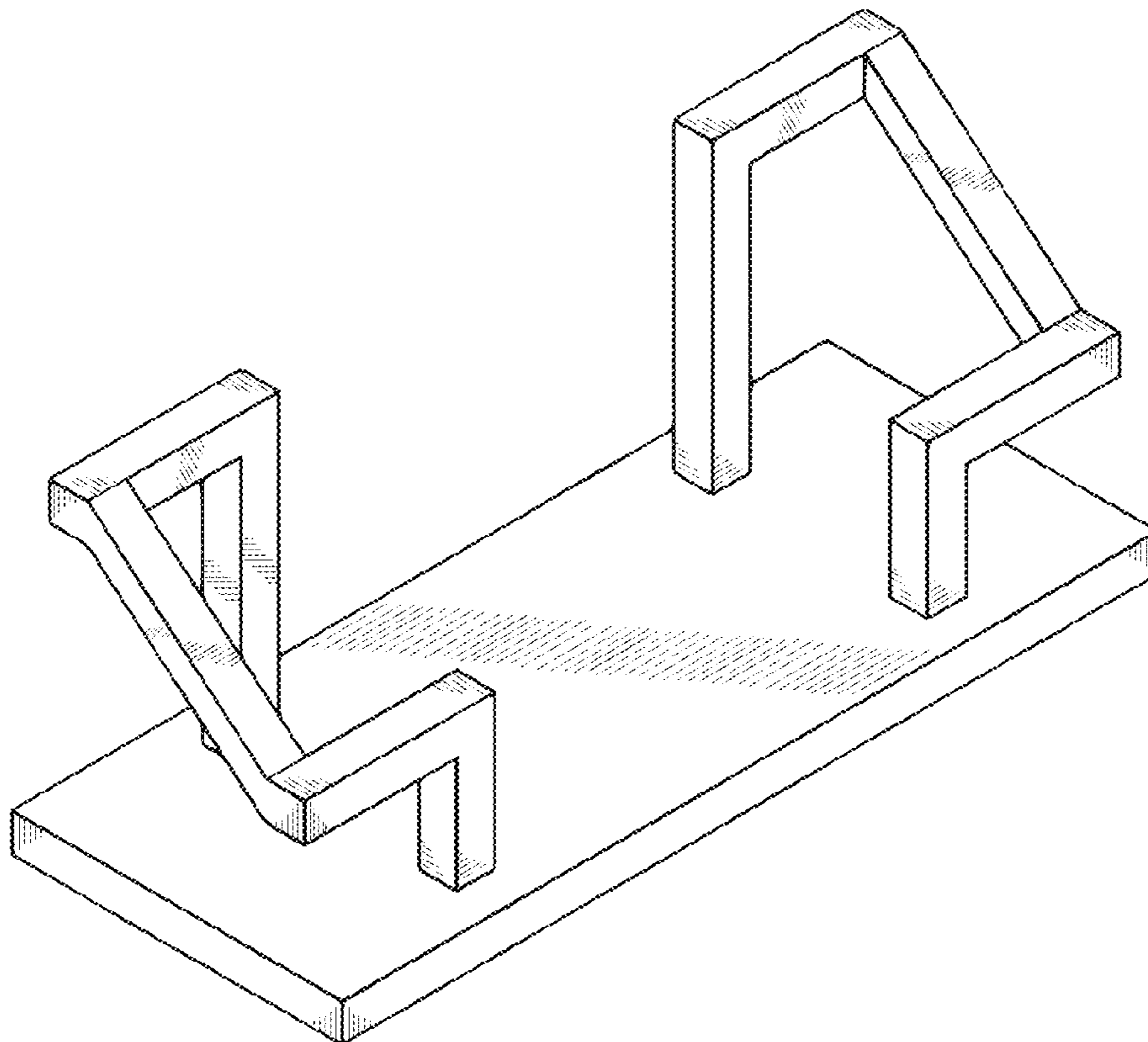
(57) **CLAIM**  
I claim the ornamental design for a business card holder, as shown and described.

**DESCRIPTION**

FIG. 1 is a perspective view of a business card holder, showing my new design;  
FIG. 2 is a front elevational view thereof;  
FIG. 3 is a rear elevational view thereof;  
FIG. 4 is a left-side elevational view thereof;  
FIG. 5 is a right-side elevational view thereof;  
FIG. 6 is a top plan view thereof; and,  
FIG. 7 is a bottom plan view thereof.

**1 Claim, 3 Drawing Sheets**

- (56) **References Cited**  
U.S. PATENT DOCUMENTS  
816,904 A \* 4/1906 Early ..... 211/50  
906,894 A \* 12/1908 Kevorkian ..... 211/50



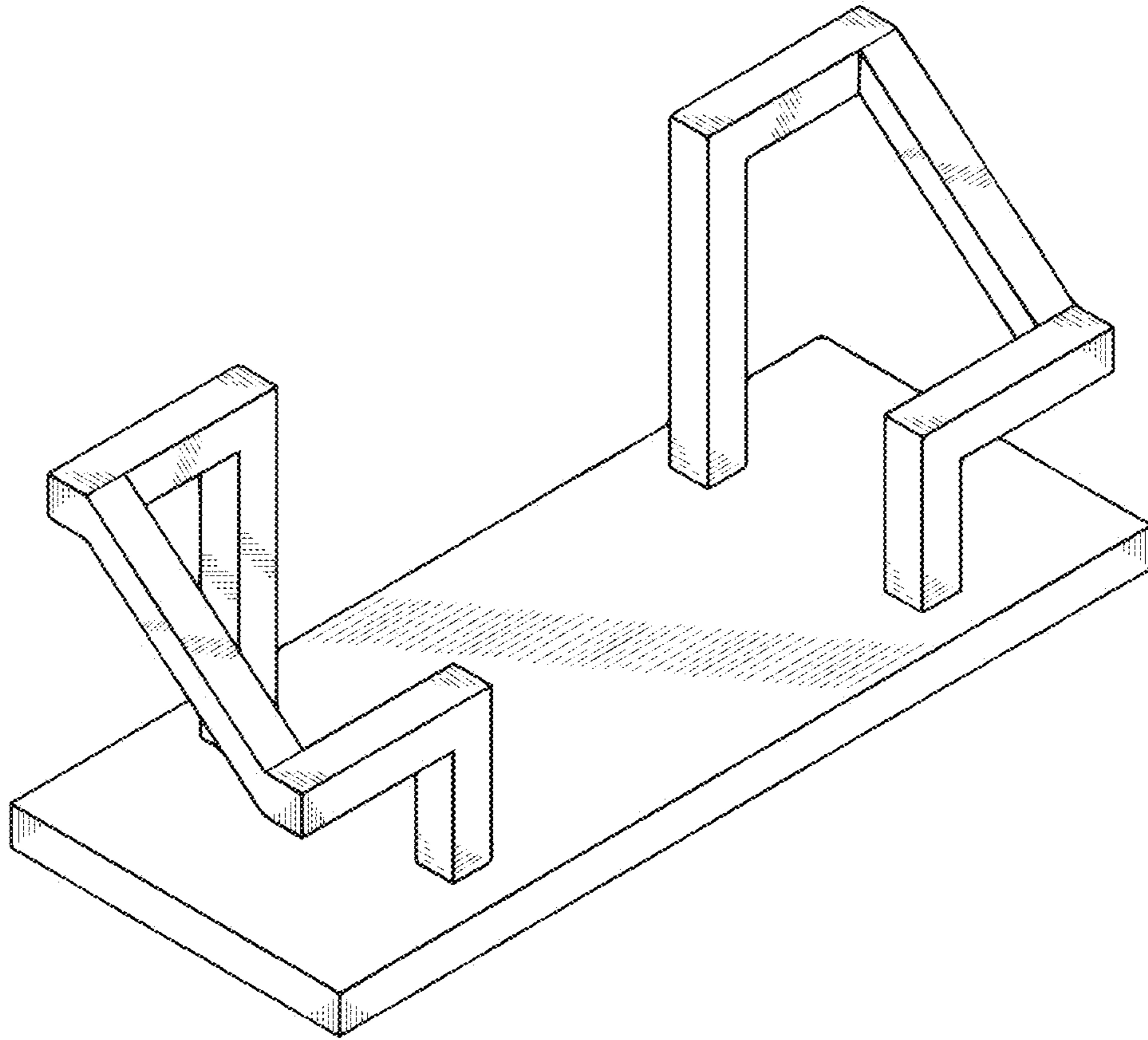


FIG. 1



FIG. 2



FIG. 3

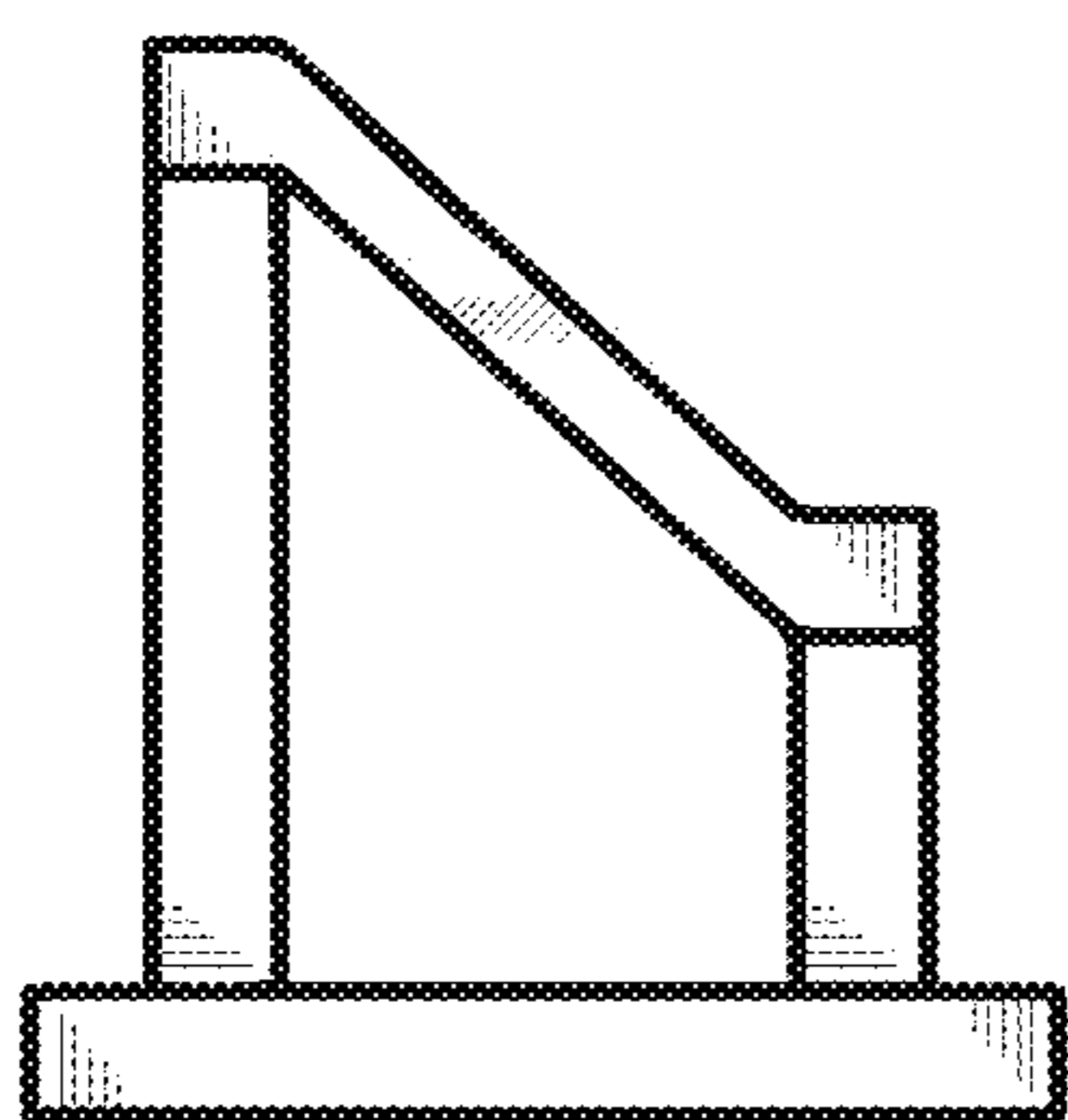


FIG. 4

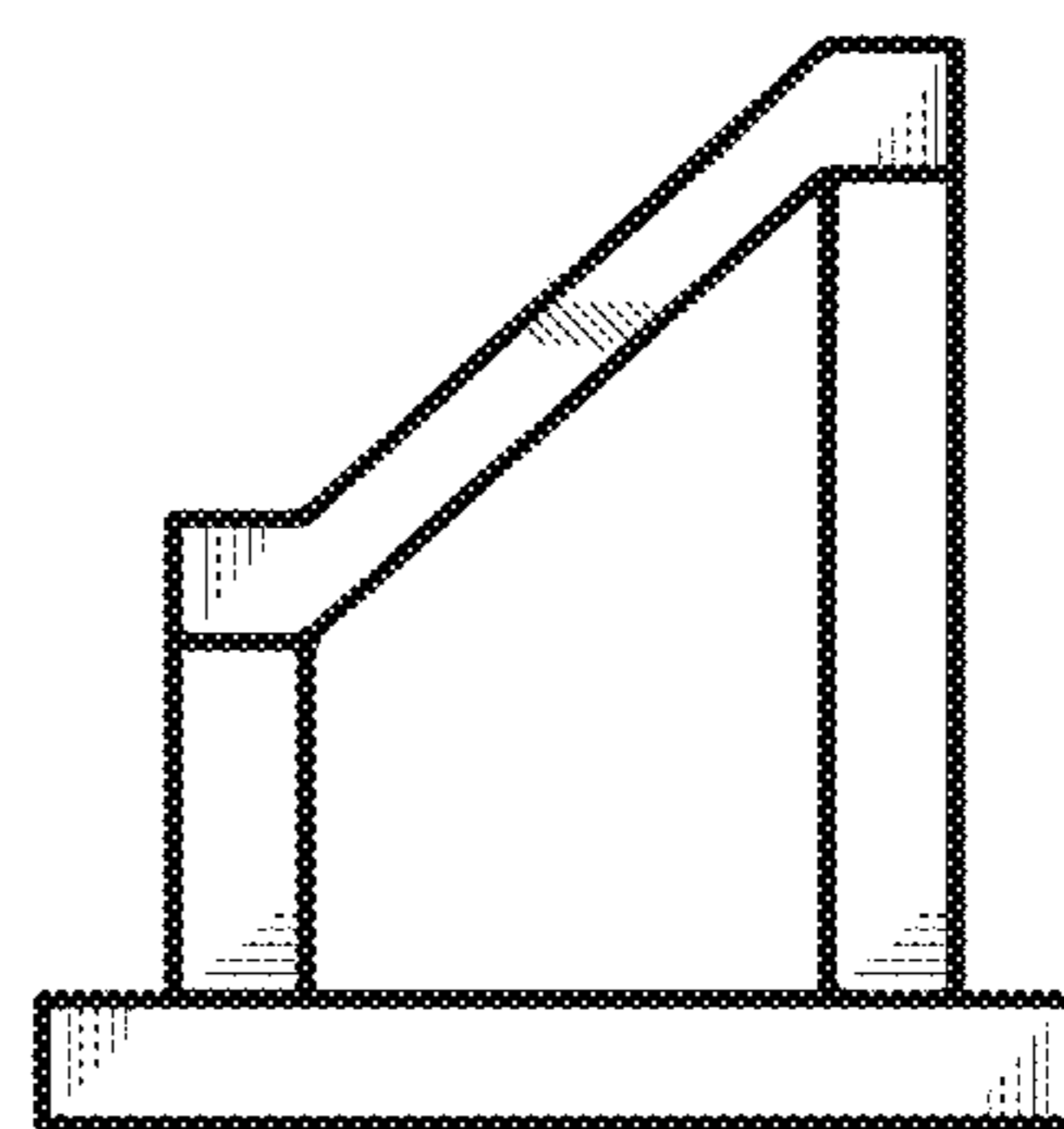


FIG. 5

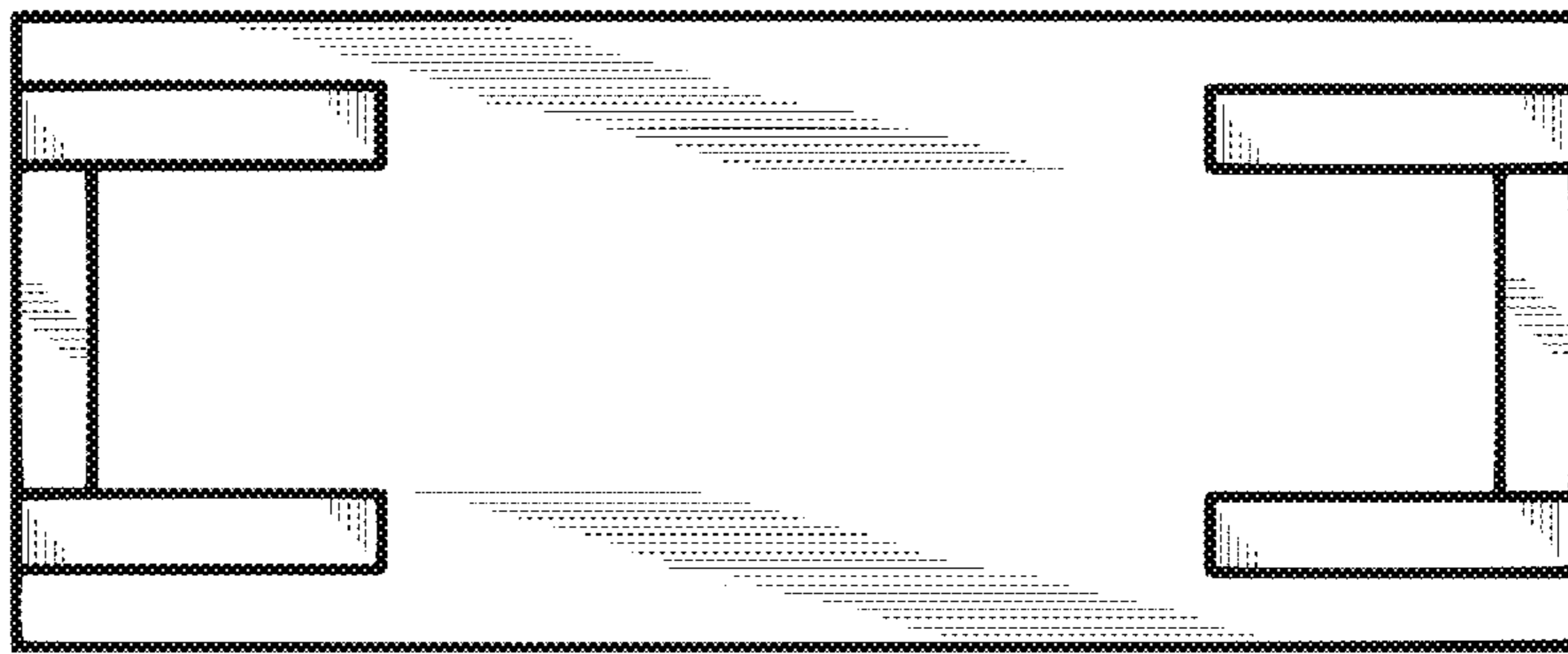


FIG. 6

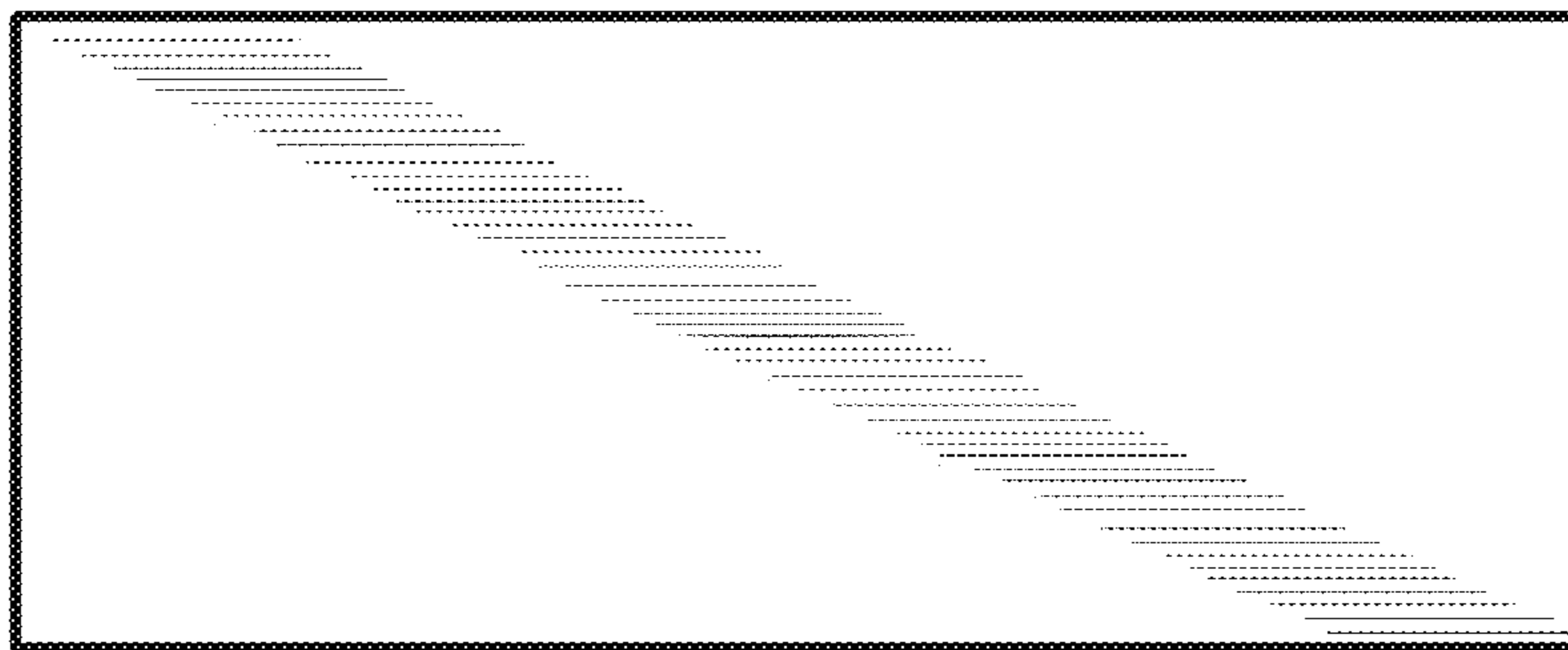


FIG. 7