



US00D700643S

(12) **United States Design Patent**  
**Yokoi**

(10) **Patent No.:** **US D700,643 S**  
(45) **Date of Patent:** **\*\* Mar. 4, 2014**

(54) **PAIR OF BINOCULARS**

(71) Applicant: **Nikon Vision Co., Ltd.**, Tokyo (JP)

(72) Inventor: **Yasuhide Yokoi**, Tokyo (JP)

(73) Assignee: **Nikon Vision Co., Ltd.**, Tokyo (JP)

(\*\*) Term: **14 Years**

(21) Appl. No.: **29/440,715**

(22) Filed: **Dec. 26, 2012**

(51) **LOC (10) CL.** ..... **16-06**

(52) **U.S. CL.**  
USPC ..... **D16/133**

(58) **Field of Classification Search**  
USPC ..... D16/133, 130, 136; 359/411–415,  
359/416–420, 804, 809, 816, 835, 831  
See application file for complete search history.

(56) **References Cited**

**U.S. PATENT DOCUMENTS**

D83,934 S *	4/1931	Trautmann	.....	D16/133
D98,790 S *	3/1936	Wollensak et al.	.....	D16/133
D146,487 S *	3/1947	Shields	.....	D16/133
D182,304 S *	3/1958	Rosiello	.....	D16/133
D198,590 S *	7/1964	Maguire	.....	D16/133
D306,869 S *	3/1990	Takahashi	.....	D16/133
D313,029 S *	12/1990	Lee	.....	D16/133
D320,026 S *	9/1991	Lee	.....	D16/133

D356,586 S *	3/1995	Takahashi	.....	D16/133
D378,216 S *	2/1997	Takahashi	.....	D16/133
D395,905 S *	7/1998	Hamamura	.....	D16/133
D473,884 S *	4/2003	Hayamizu	.....	D16/133
D486,507 S *	2/2004	Fujii	.....	D16/133

\* cited by examiner

*Primary Examiner* — Paula Greene

(74) *Attorney, Agent, or Firm* — Wolf, Greenfield & Sacks, P.C.; Randy J. Pritzker

(57) **CLAIM**

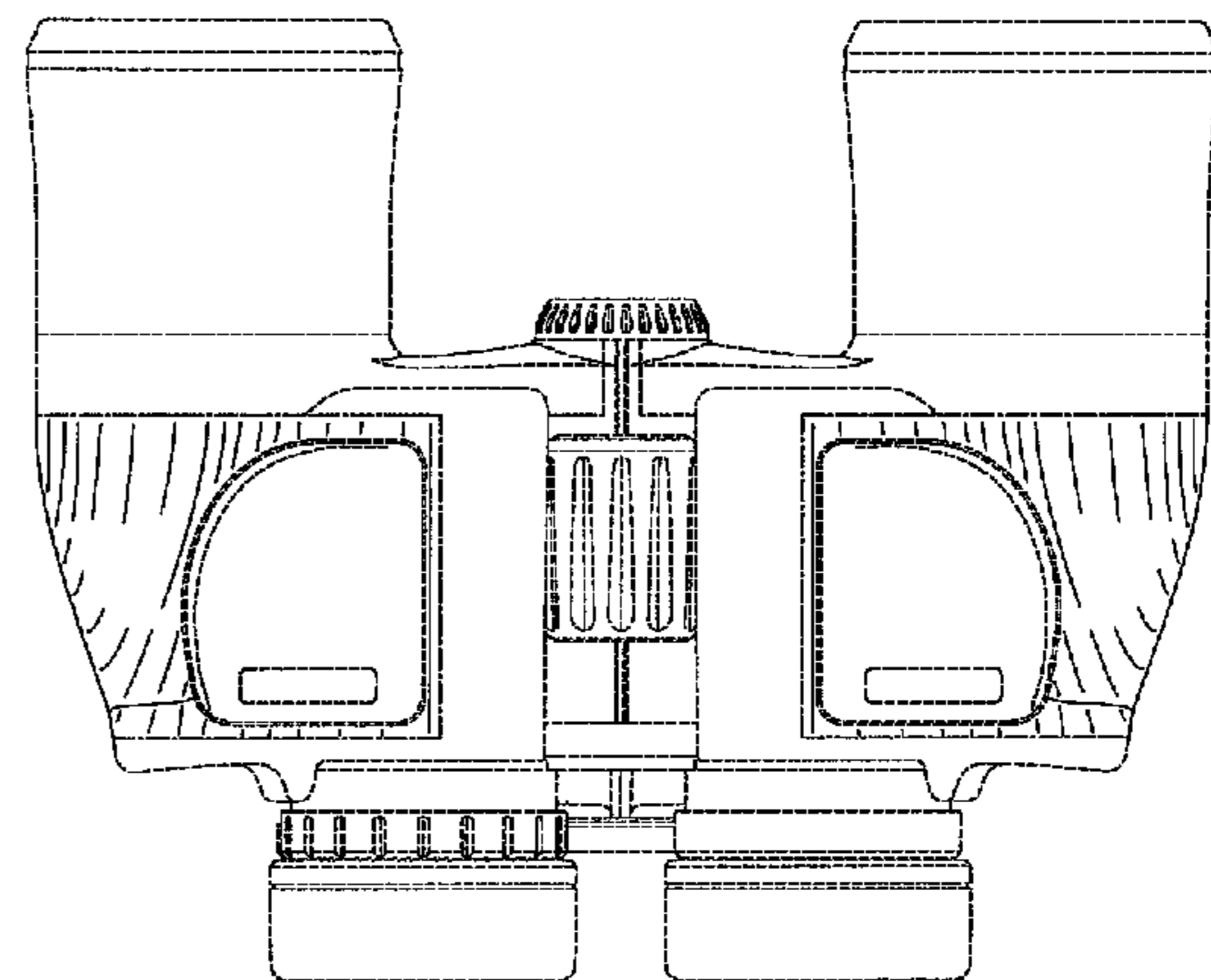
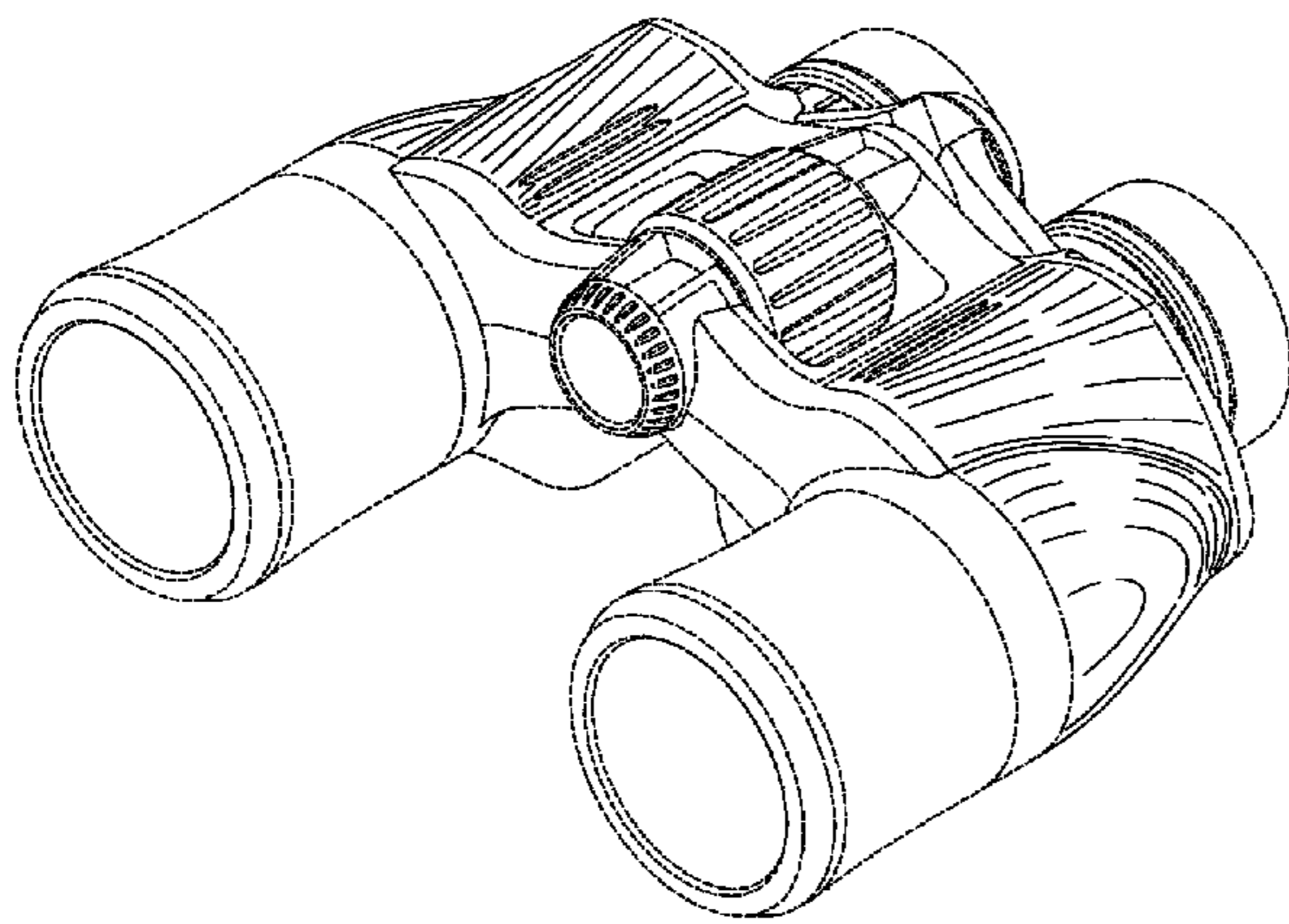
The ornamental design for a pair of binoculars, as shown and described.

**DESCRIPTION**

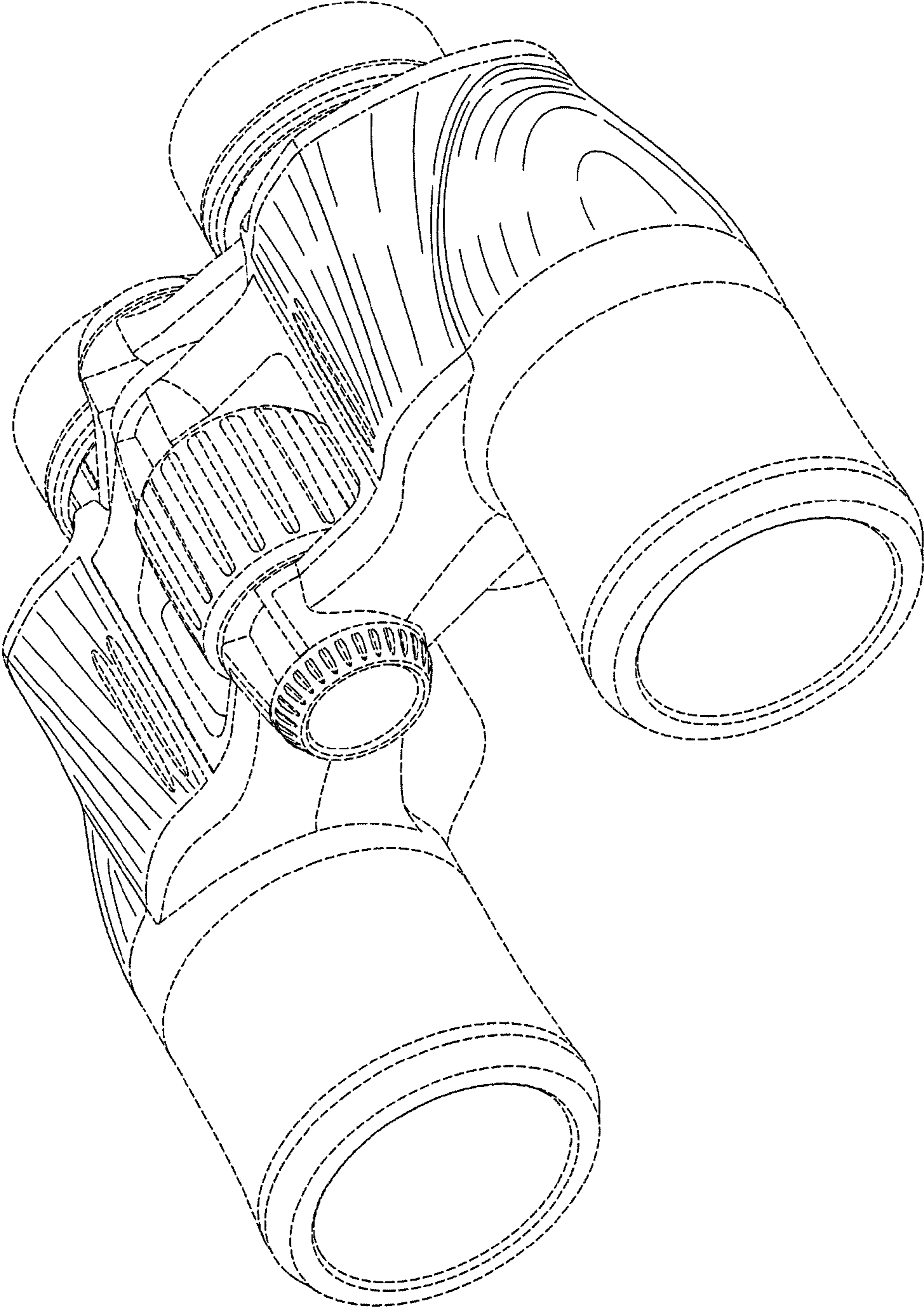
FIG. 1 is a front, top, and right side perspective view of a pair of binoculars showing my new design;  
FIG. 2 is a rear, bottom, and left side perspective view thereof;  
FIG. 3 is a front view thereof;  
FIG. 4 is a rear view thereof;  
FIG. 5 is a top plan view thereof;  
FIG. 6 is a bottom plan view thereof;  
FIG. 7 is a right side view thereof; and,  
FIG. 8 is a left side view thereof.

The features shown in broken lines in the drawings depict environmental subject matter only and form no part of the claimed design. The dash-dotted lines denote the boundaries of the claim and form no part of the claimed design.

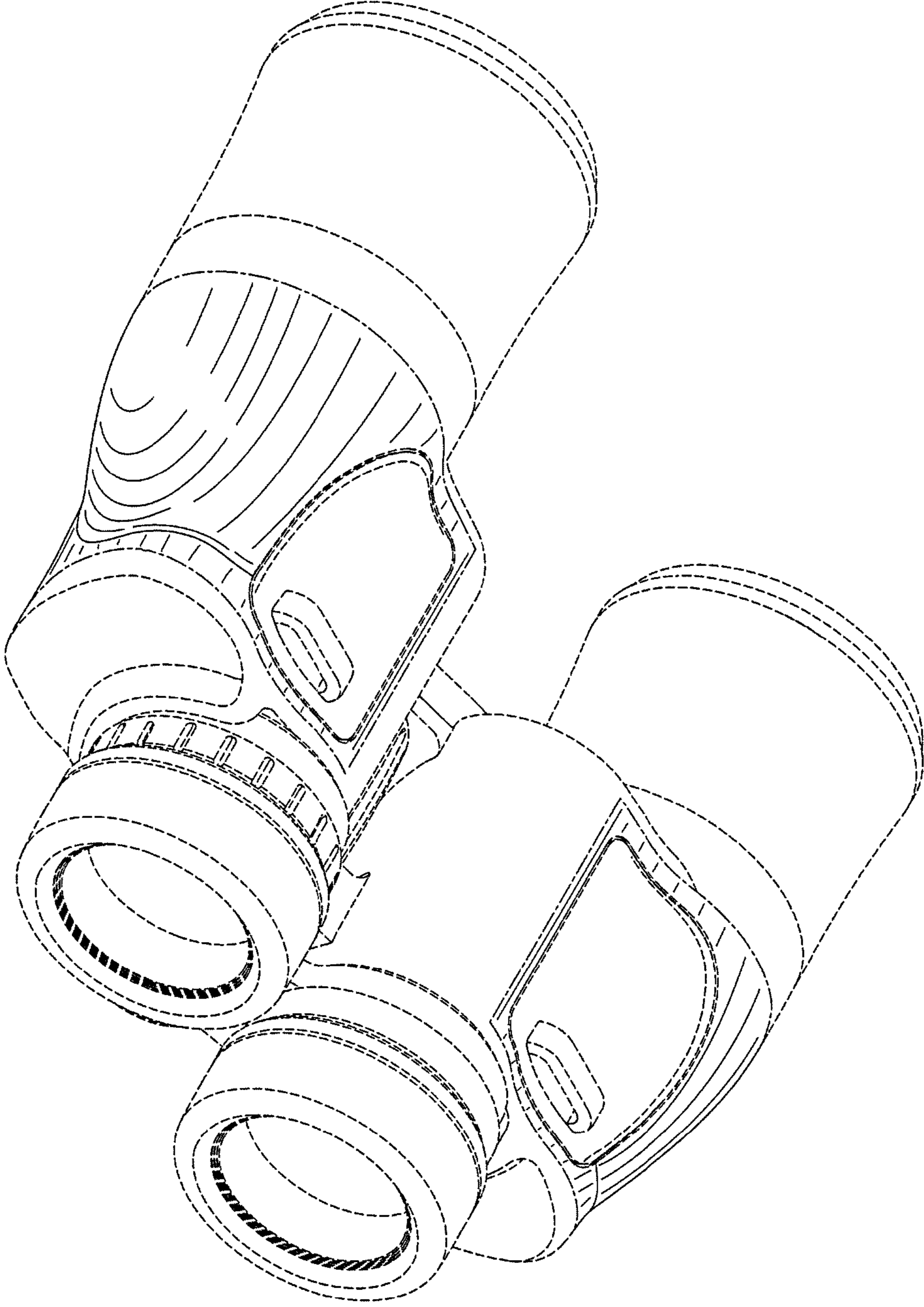
**1 Claim, 8 Drawing Sheets**



**FIG. 1**



**FIG.2**





**FIG.3**

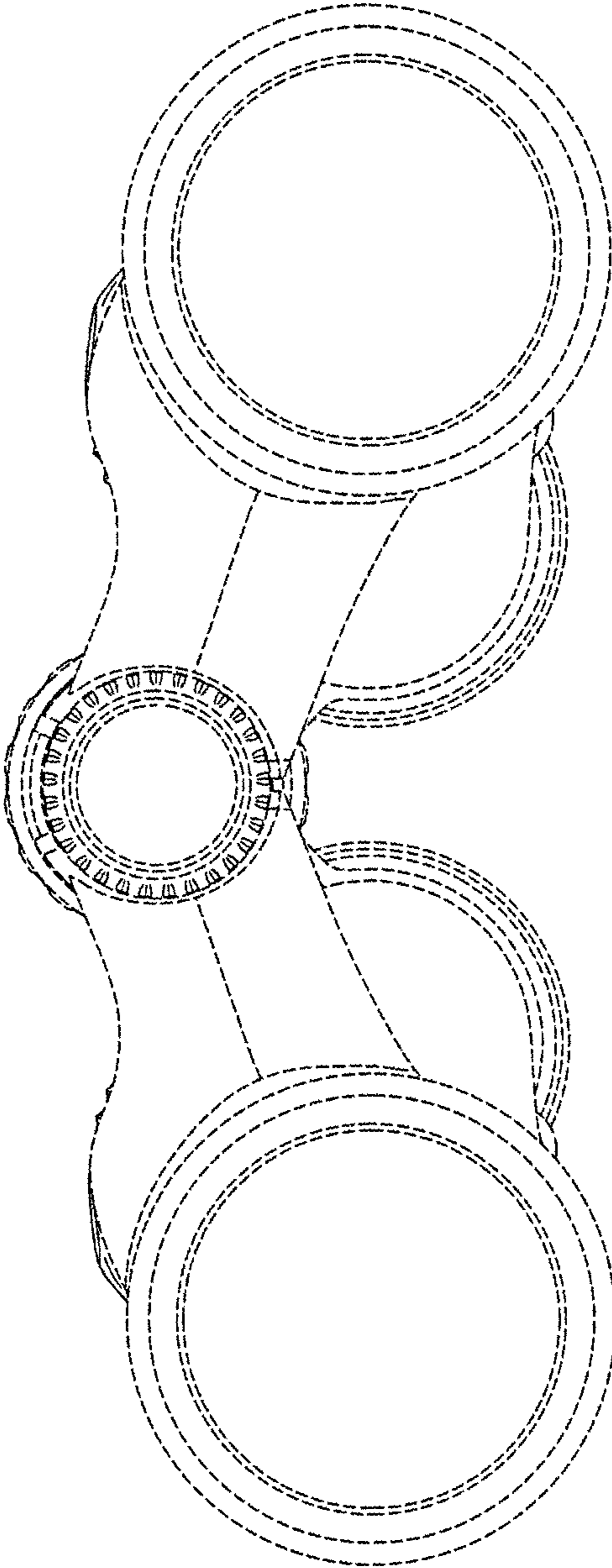
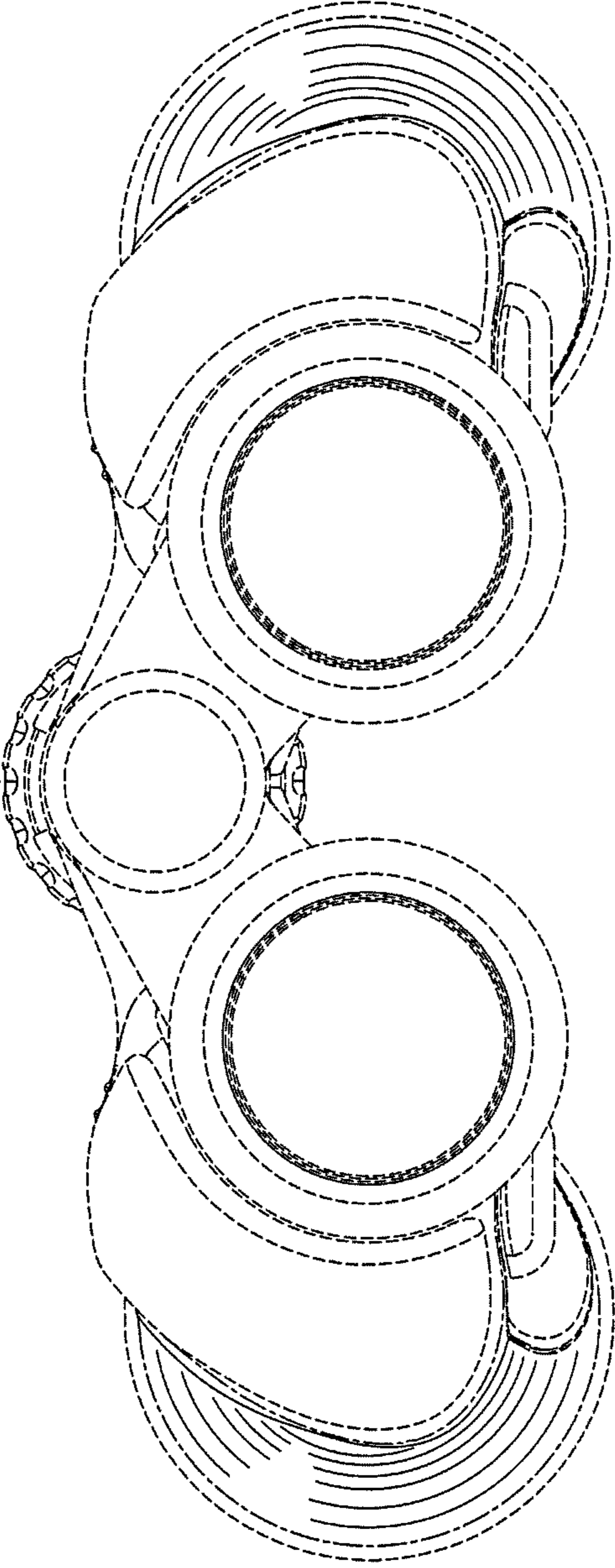
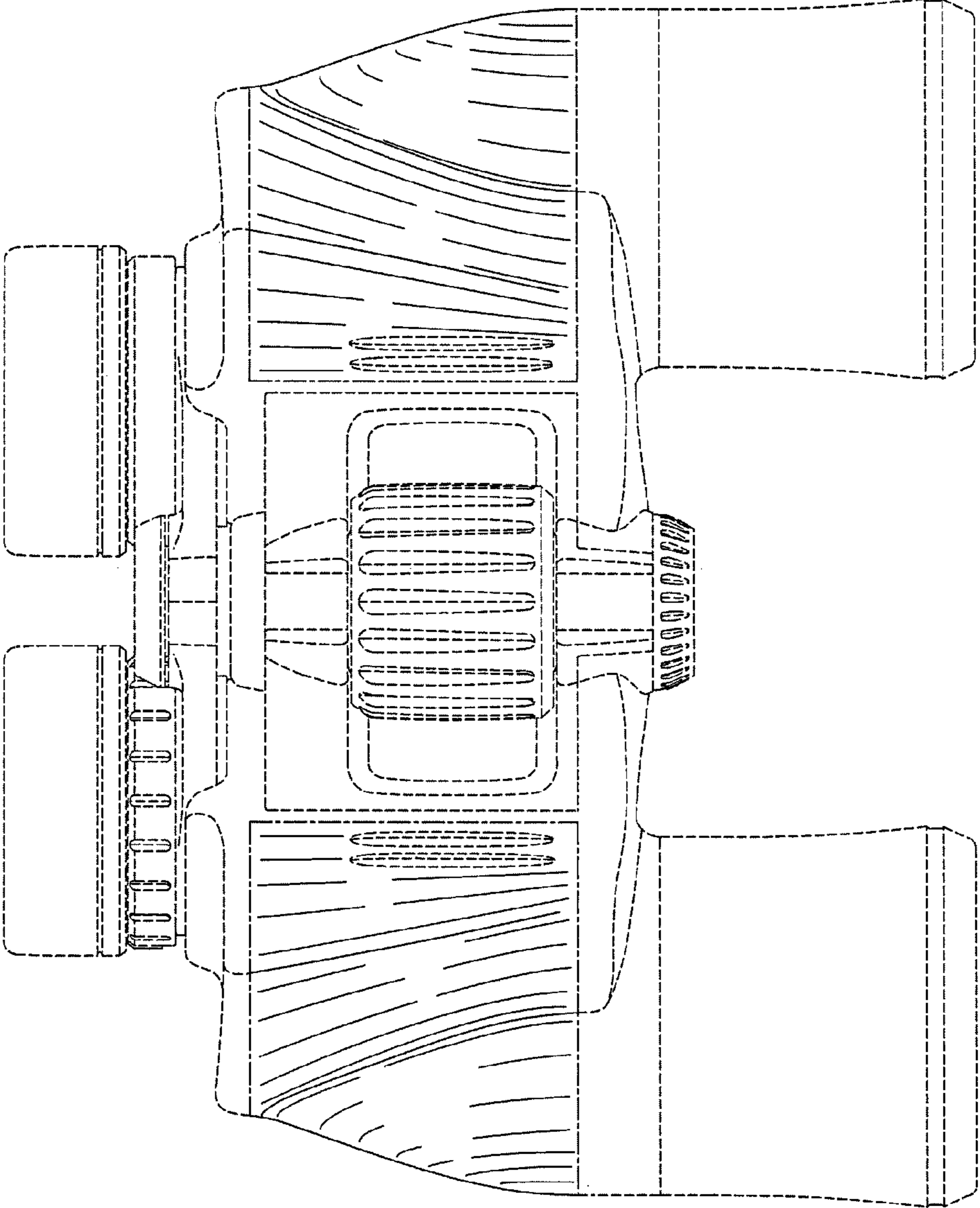


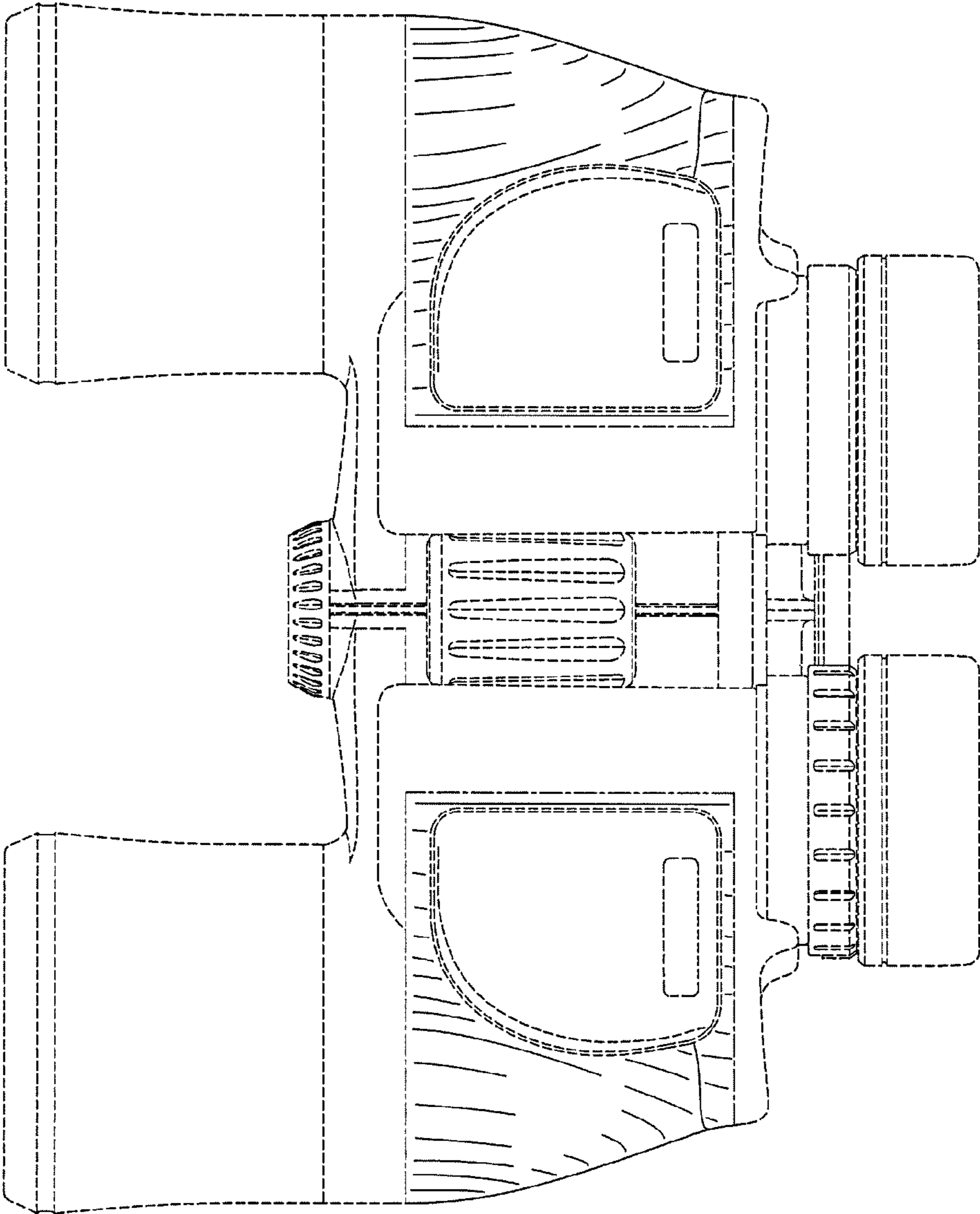
FIG. 4



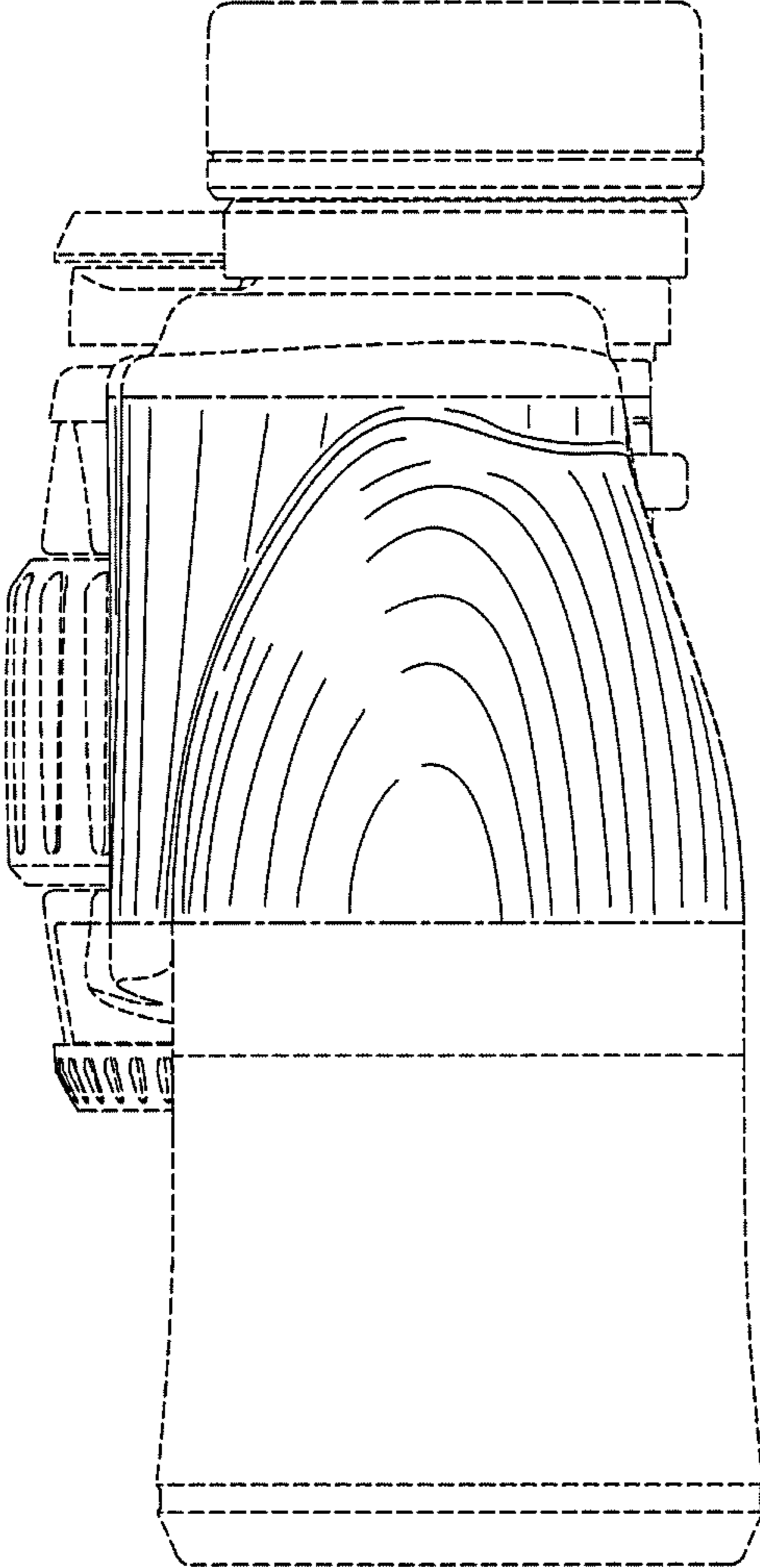
**FIG.5**



**FIG.6**



**FIG.7**





**FIG.8**

