



US00D700641S

(12) **United States Design Patent**
Kenji

(10) **Patent No.:** **US D700,641 S**
(45) **Date of Patent:** **** Mar. 4, 2014**

(54) **COLLET CHUCK**

(75) Inventor: **Tokura Kenji**, Osaka (JP)

(73) Assignee: **Kyoshin Kogyo Co., Ltd.**, Osaka (JP)

(**) Term: **14 Years**

(21) Appl. No.: **29/403,390**

(22) Filed: **Oct. 5, 2011**

(51) **LOC (10) Cl.** **15-09**

(52) **U.S. Cl.**
USPC **D15/140**

(58) **Field of Classification Search**
USPC D8/61-71; D15/140; 81/429; 175/320,
175/324, 393, 415; 279/4, 46, 60-64, 145,
279/157, 901-902; 299/33; 409/182,
409/231-233

See application file for complete search history.

(56) **References Cited**

U.S. PATENT DOCUMENTS

2,234,603	A *	3/1941	O'Connell	279/46.6
2,728,579	A *	12/1955	Djidich	279/43
3,152,810	A *	10/1964	Brinkman	279/46.3
3,168,325	A *	2/1965	Chittenden	279/51
3,512,792	A *	5/1970	Nickel et al.	279/51
4,249,748	A *	2/1981	Andrews	279/46.3
D326,102	S *	5/1992	Mizoguchi	D15/140
5,398,947	A *	3/1995	Cook	279/46.3
D437,865	S *	2/2001	Kladich	D15/140
D455,162	S *	4/2002	Lisowski	D15/140

6,568,889	B2 *	5/2003	Rohm	409/233
7,455,303	B2 *	11/2008	Draudt et al.	279/63
2002/0053770	A1 *	5/2002	Hangleiter	279/2.02
2005/0180831	A1 *	8/2005	Miller	409/232
2006/0061048	A1 *	3/2006	Puzio et al.	279/60
2013/0089385	A1 *	4/2013	Bozkurt	408/147

* cited by examiner

Primary Examiner — Patricia Palasik

(74) *Attorney, Agent, or Firm* — Konomi Takeshita

(57) **CLAIM**

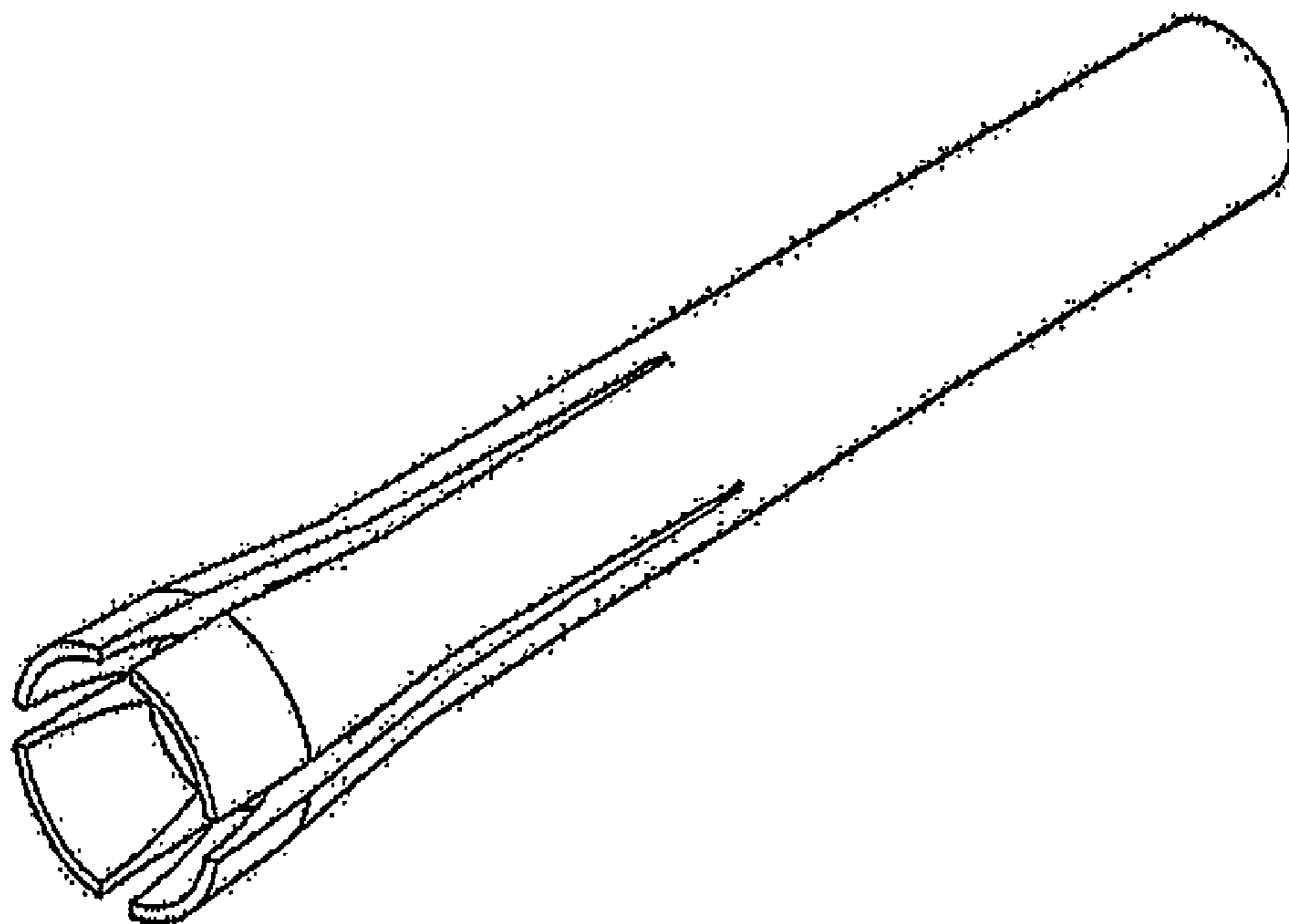
The ornamental design for a collet chuck, as shown and described.

DESCRIPTION

FIG. 1 is a perspective view of a collet chuck, showing my new design;
 FIG. 2 is a front view, the rear view being a mirror image thereof;
 FIG. 3 is a left side view thereof;
 FIG. 4 is a right side view thereof;
 FIG. 5 is a plan view, the bottom view being a mirror image thereof;
 FIG. 6 is a cross-sectional view thereof, taken along line 6-6 of FIG. 3; and,
 FIG. 7 is a view illustrating a use of the collet chuck; the broken line showing of the billet for enlarging forms no part of the claimed design.

The claimed collet chuck has a structure in which a fore-end of a cylinder is divided into four parts and slits are formed between the divided parts. The collet chuck clamps and supports a product to be processed on the outside thereof.

1 Claim, 3 Drawing Sheets



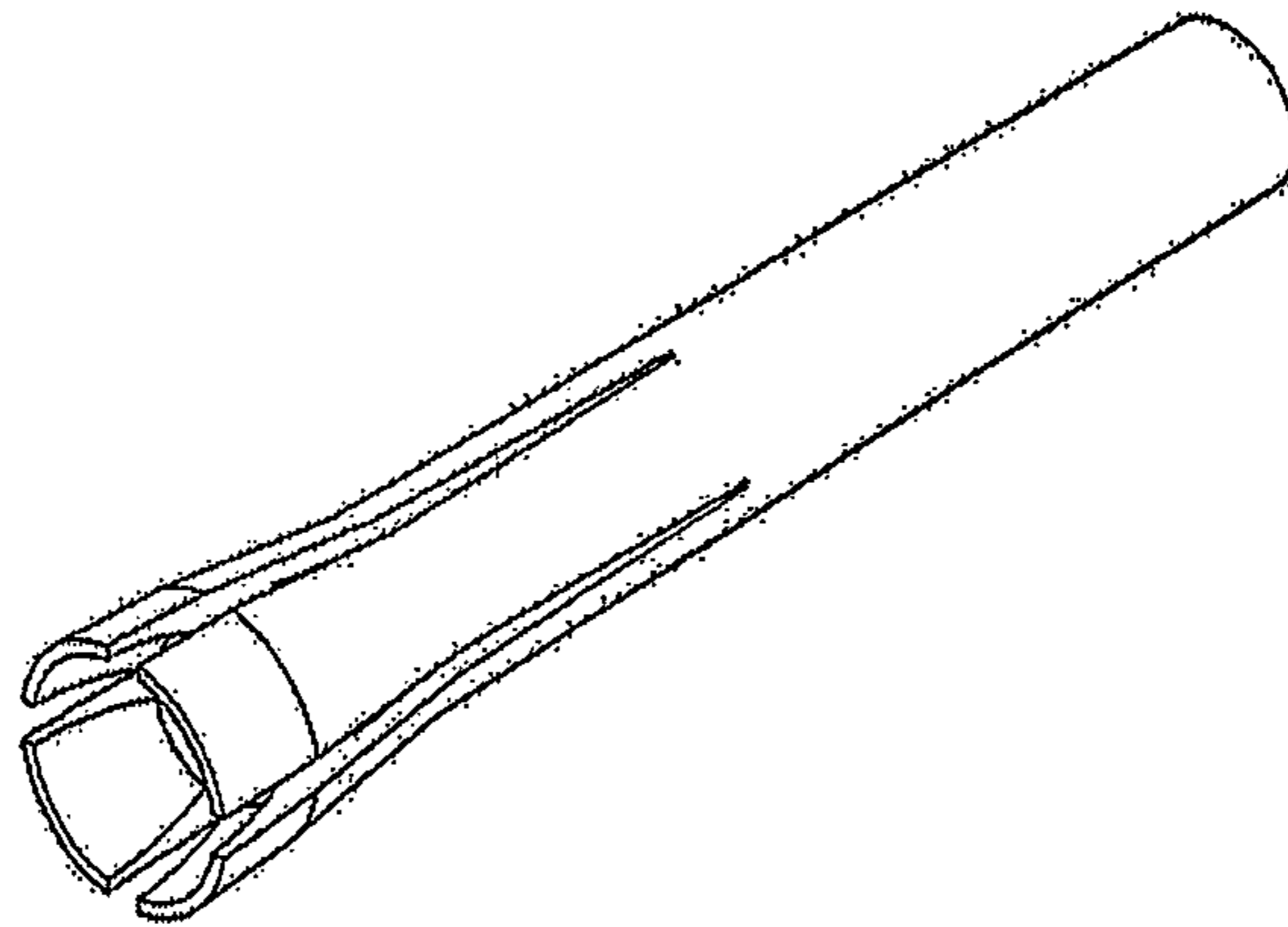


FIG. 1

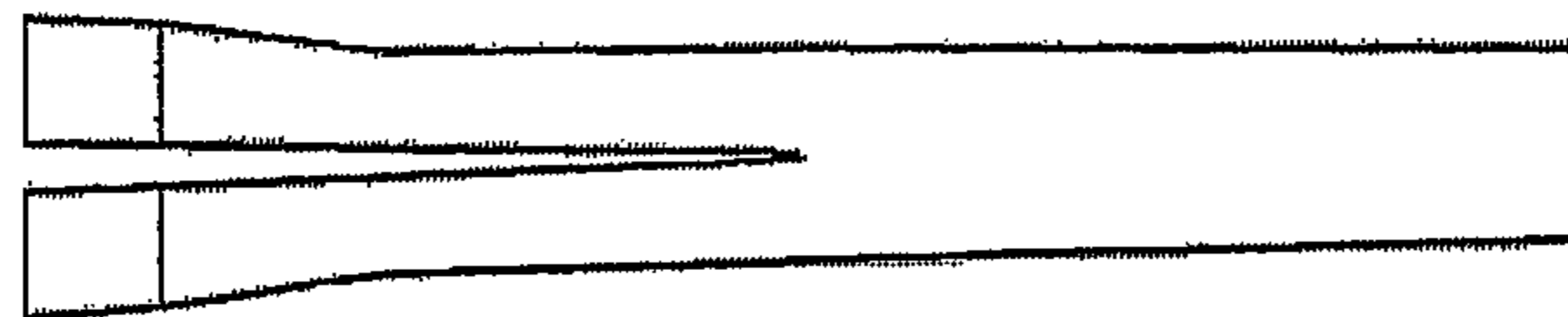


FIG. 2

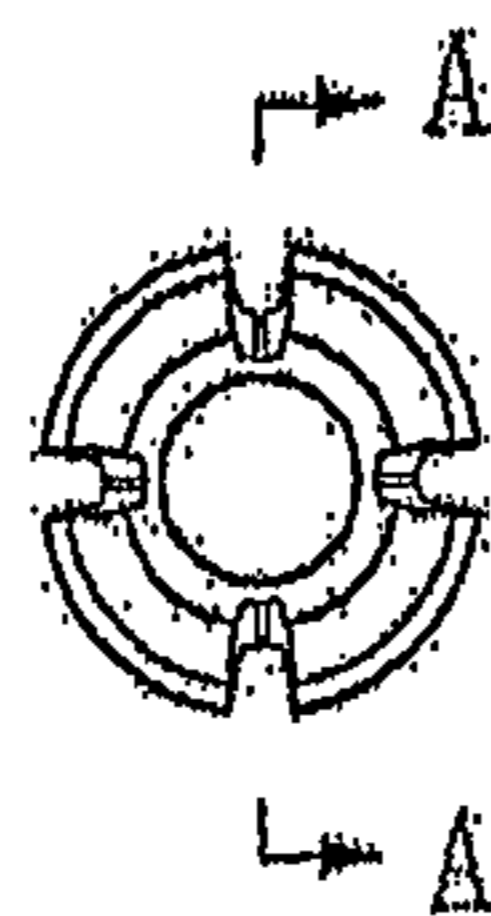


FIG. 3

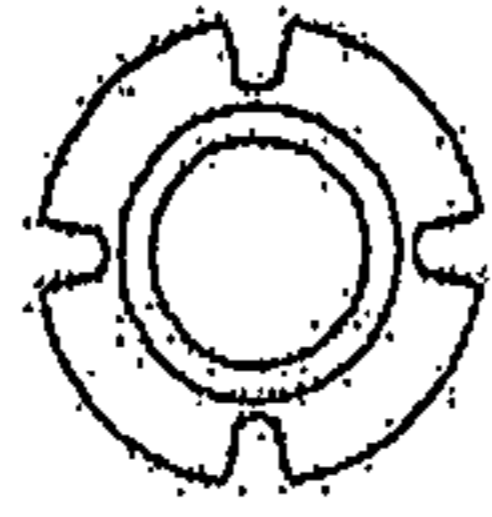


FIG. 4

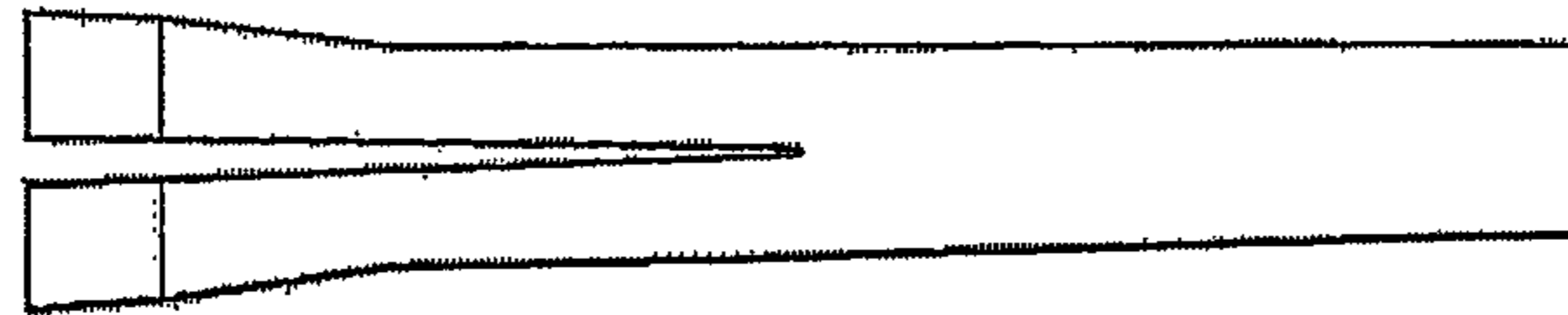


FIG. 5

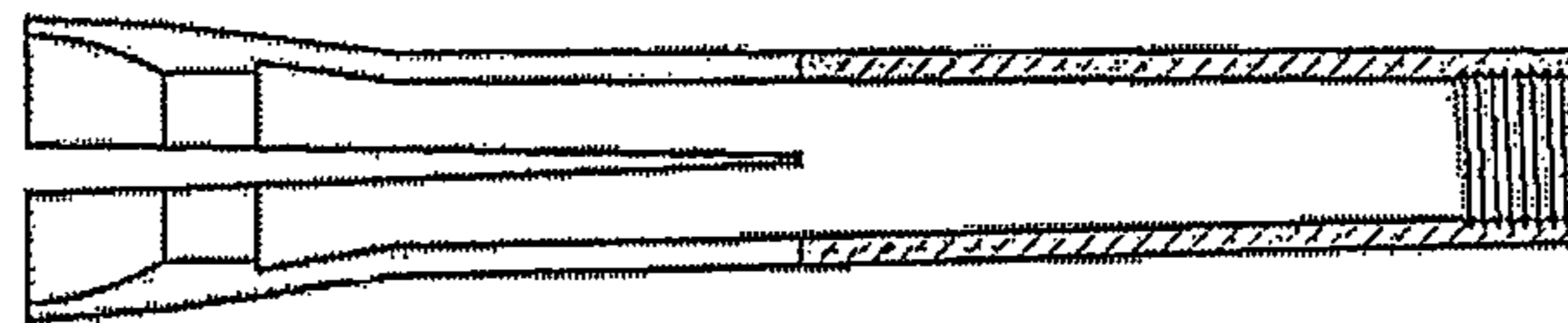


FIG. 6

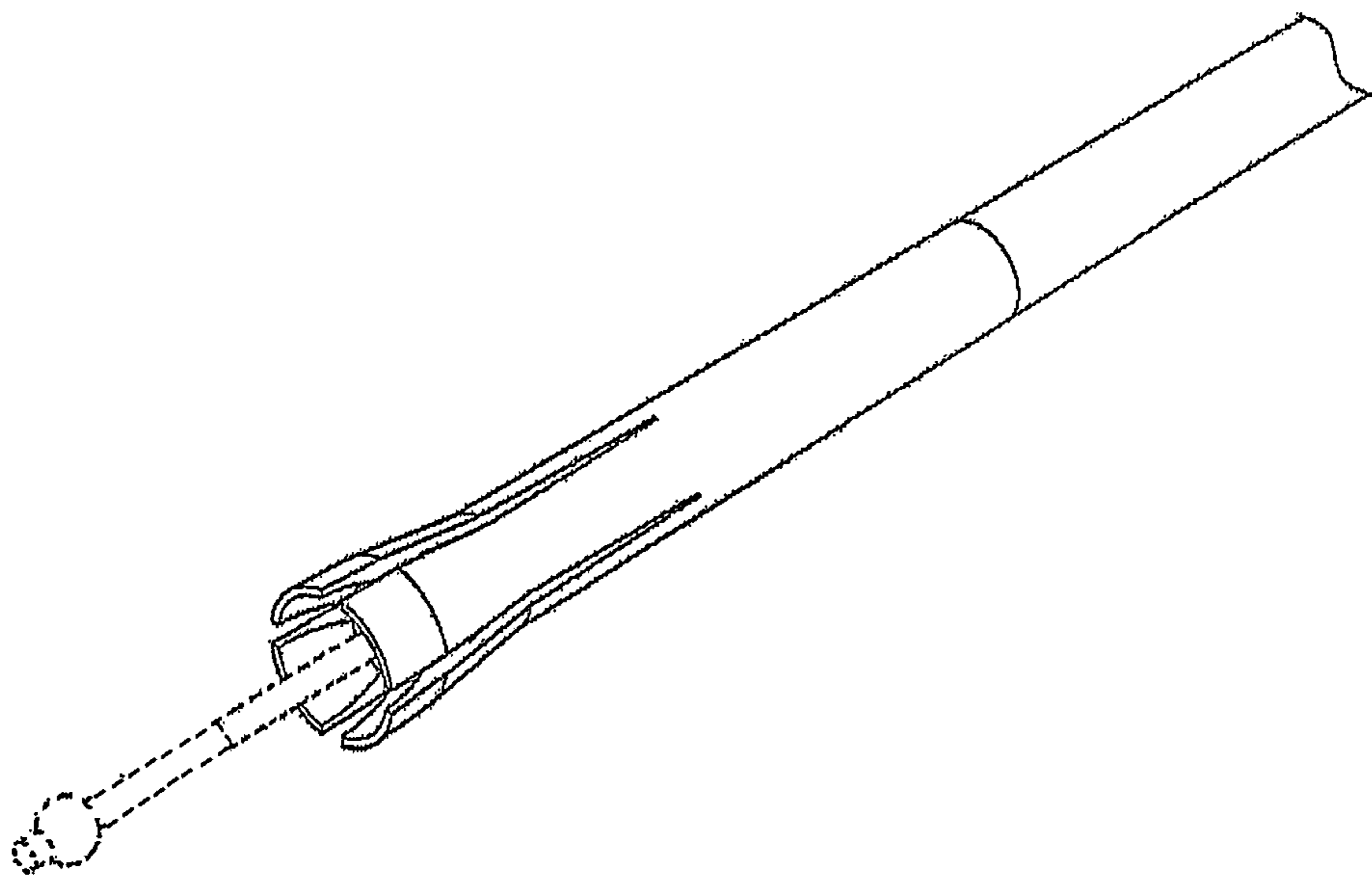


FIG.7

UNITED STATES PATENT AND TRADEMARK OFFICE
CERTIFICATE OF CORRECTION

PATENT NO. : D700,641 S
APPLICATION NO. : 29/403390
DATED : March 4, 2014
INVENTOR(S) : Tokura Kenji

Page 1 of 1

It is certified that error appears in the above-identified patent and that said Letters Patent is hereby corrected as shown below:

On the Title Page

Item (30), "Foreign Application Priority Data" should be added:

--(30) Foreign Application Priority Data

April 6, 2011 (KR) -----30-2011-0013836--

Signed and Sealed this
Third Day of October, 2017



Joseph Matal
*Performing the Functions and Duties of the
Under Secretary of Commerce for Intellectual Property and
Director of the United States Patent and Trademark Office*