



US00D700640S

(12) **United States Design Patent**
Choi et al.

(10) **Patent No.:** **US D700,640 S**
(45) **Date of Patent:** **** Mar. 4, 2014**

- (54) **CUTTING INSERT**
- (71) Applicant: **TaeguTec Ltd.**, Daegu (KR)
- (72) Inventors: **Chang Hee Choi**, Daegu (KR); **Jung Hoon Park**, Daegu (KR)
- (73) Assignee: **TaeguTec Ltd.**, Daegu (KR)
- (**) Term: **14 Years**
- (21) Appl. No.: **29/443,149**
- (22) Filed: **Jan. 14, 2013**
- (51) **LOC (10) Cl.** **15-09**
- (52) **U.S. Cl.**
USPC **D15/139**
- (58) **Field of Classification Search**
USPC D8/70, 71; D15/131, 138, 139, 140;
407/35, 42, 112-119
See application file for complete search history.

6,238,146	B1 *	5/2001	Satran et al.	407/113
7,094,007	B2 *	8/2006	Satran et al.	407/113
D588,616	S *	3/2009	Tanaka et al.	D15/139
D637,214	S *	5/2011	Saito et al.	D15/139
D638,041	S *	5/2011	Saito et al.	D15/139
D688,715	S *	8/2013	Lampe et al.	D15/139
D688,716	S *	8/2013	Lampe	D15/139
2010/0187019	A1 *	7/2010	Swope et al.	175/427
2012/0241223	A1 *	9/2012	Bise et al.	175/428

* cited by examiner

Primary Examiner — Patricia Palasik
(74) *Attorney, Agent, or Firm* — Hamre, Schumann, Mueller & Larson, P.C.

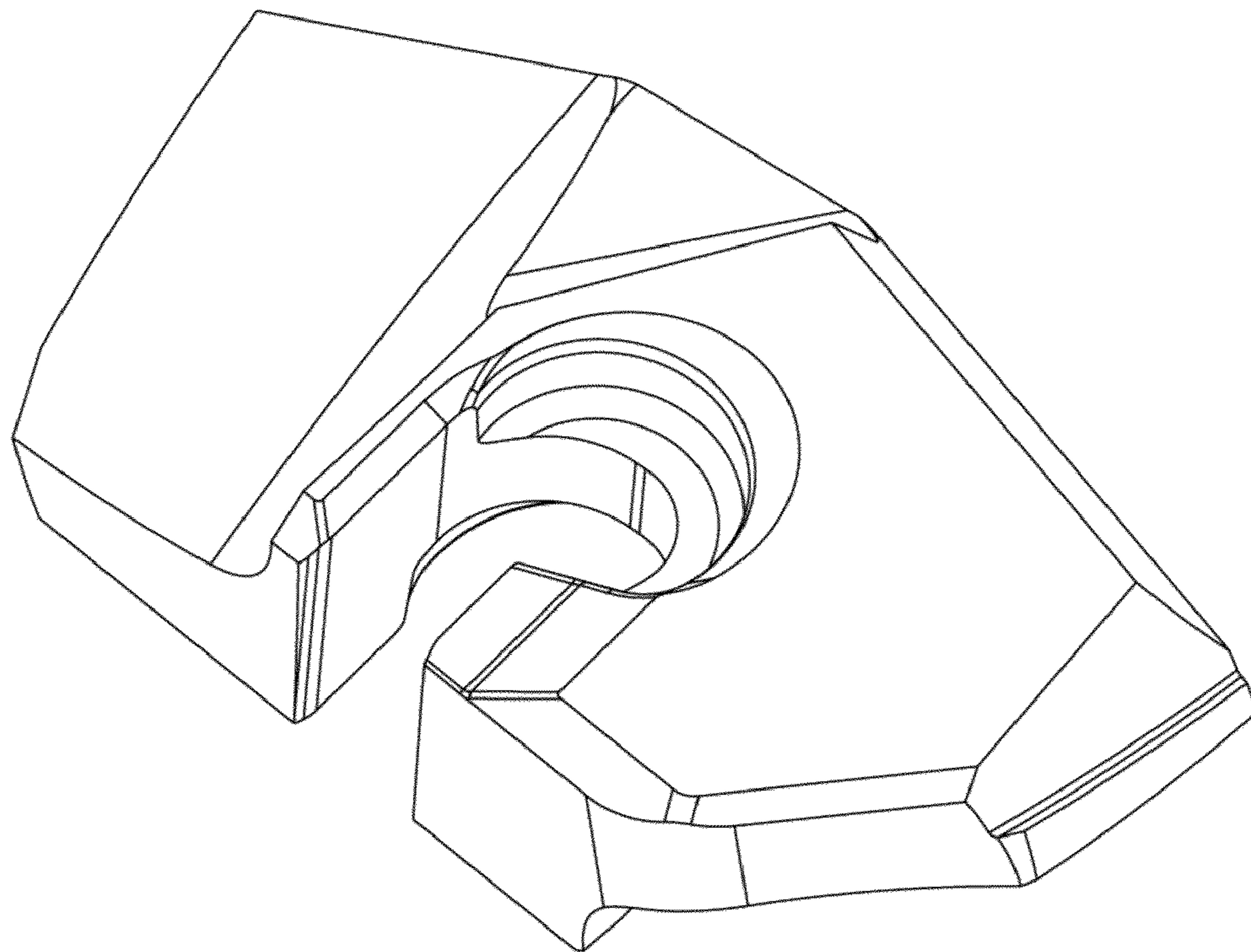
(57) **CLAIM**
The ornamental design for a cutting insert, as shown.

DESCRIPTION

FIG. 1 is a front view of a cutting insert showing our new design;
FIG. 2 is a rear view thereof;
FIG. 3 is a left side view thereof;
FIG. 4 is a right side view thereof;
FIG. 5 is a top plan view thereof;
FIG. 6 is a bottom plan view thereof; and,
FIG. 7 is a perspective view thereof.

1 Claim, 4 Drawing Sheets

- (56) **References Cited**
U.S. PATENT DOCUMENTS
D342,269 S * 12/1993 Arai et al. D15/139
D379,360 S * 5/1997 Satran et al. D15/139



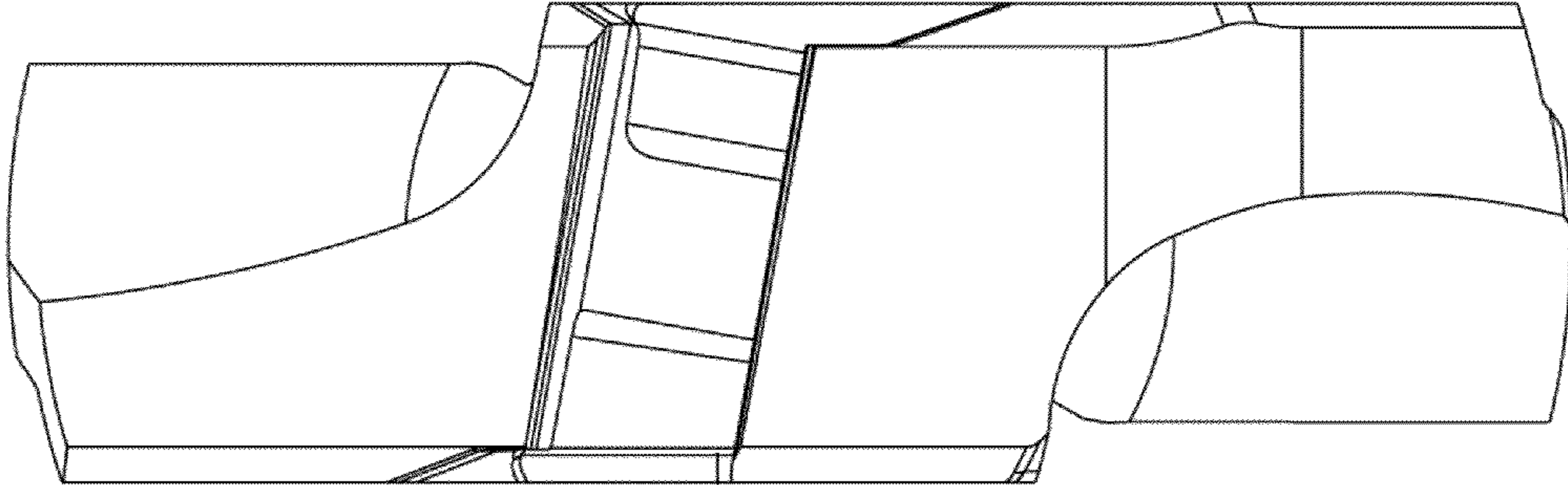


FIG. 1

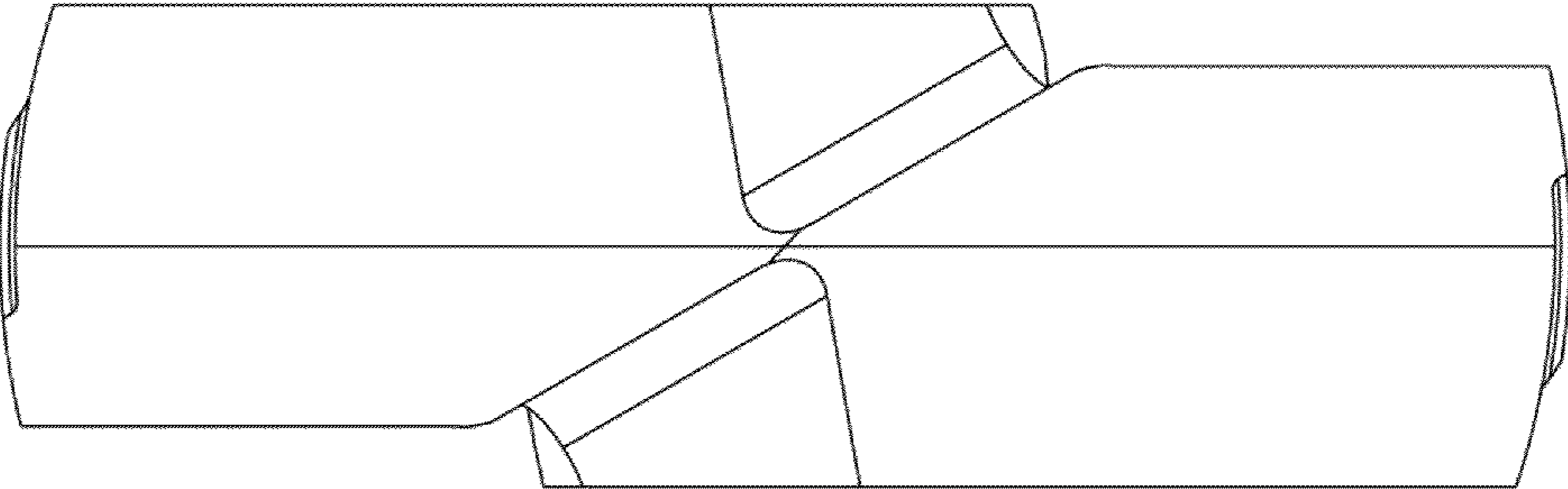


FIG. 2

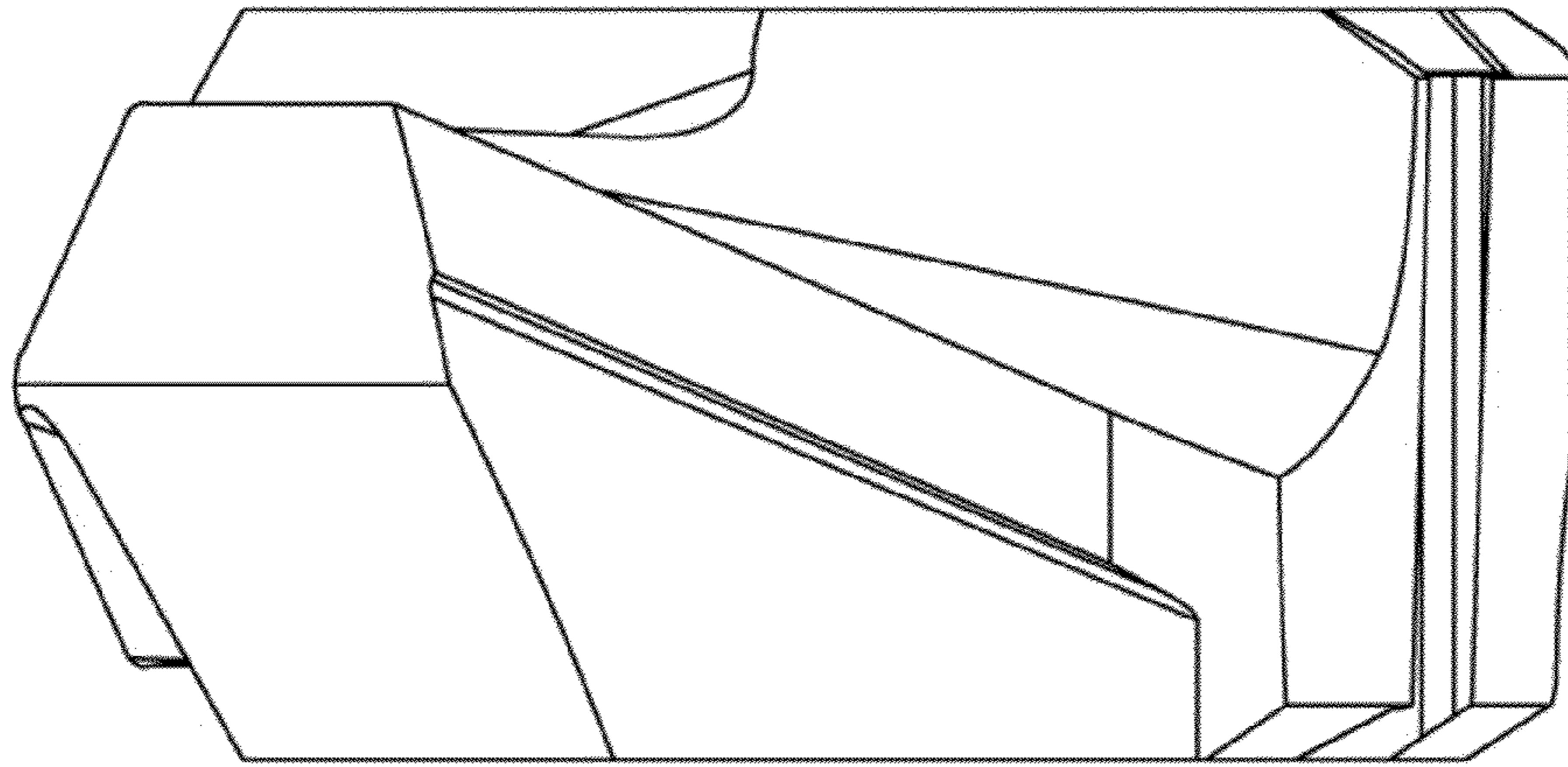


FIG. 3

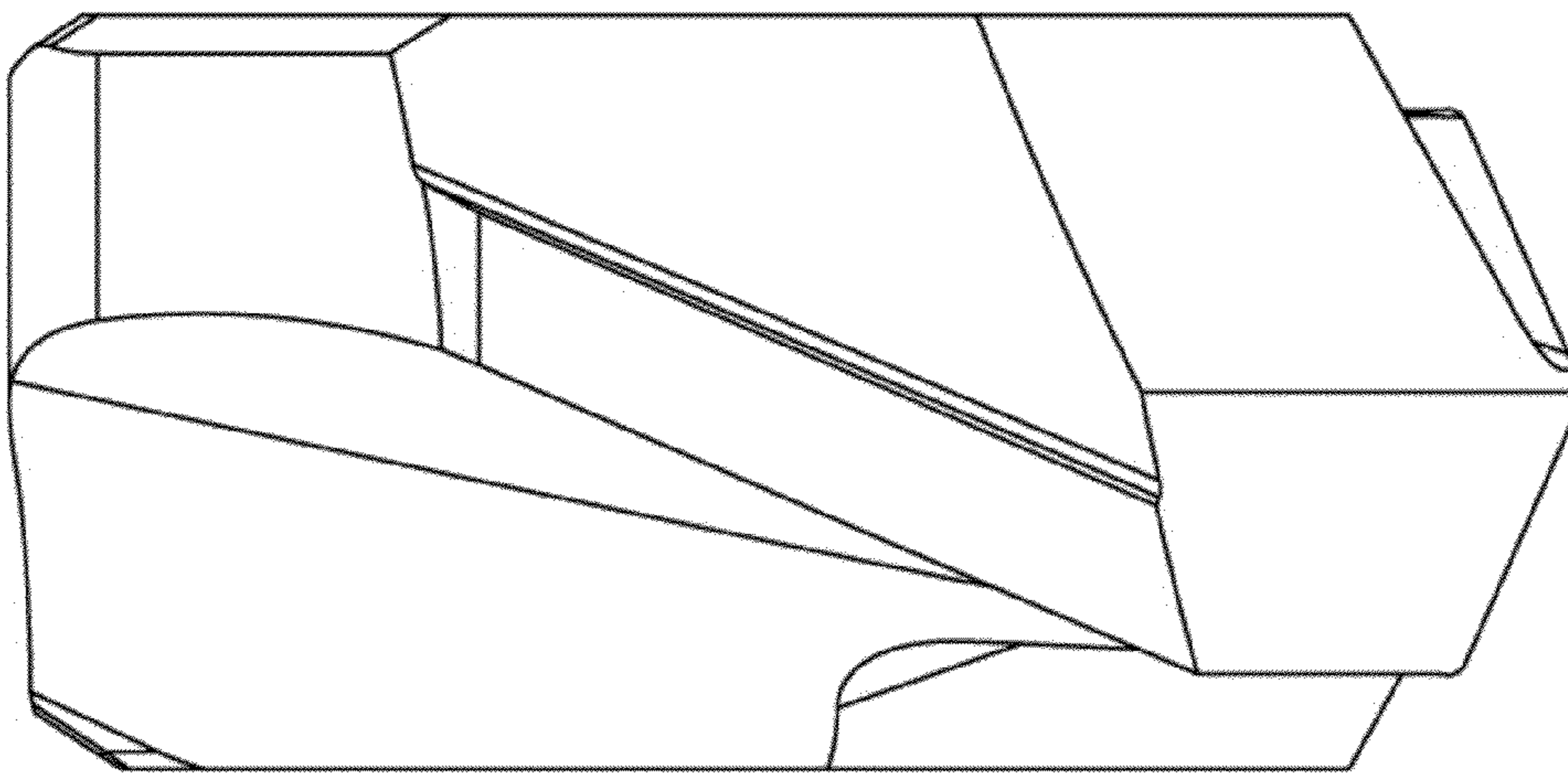


FIG. 4

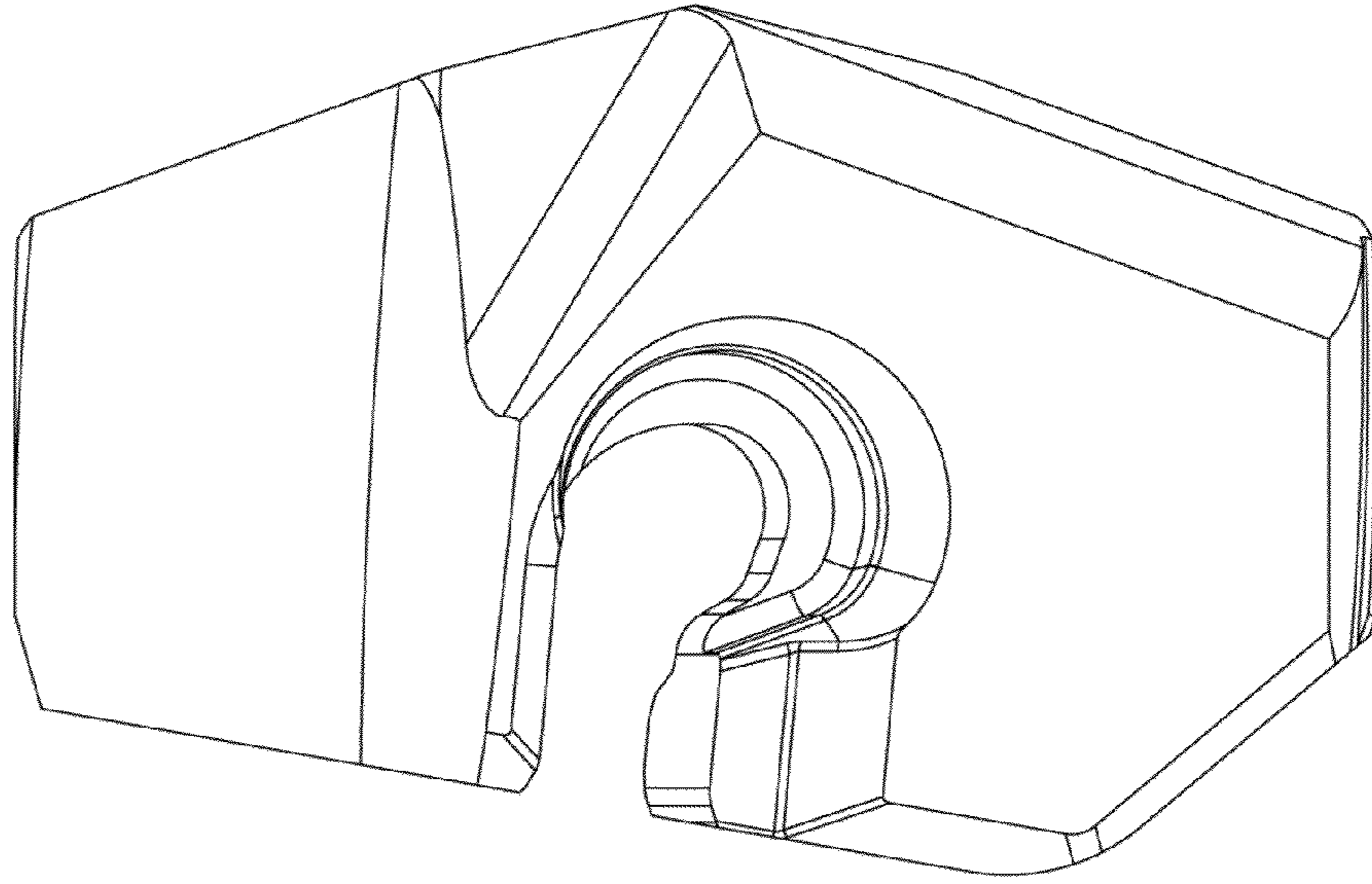


FIG. 5

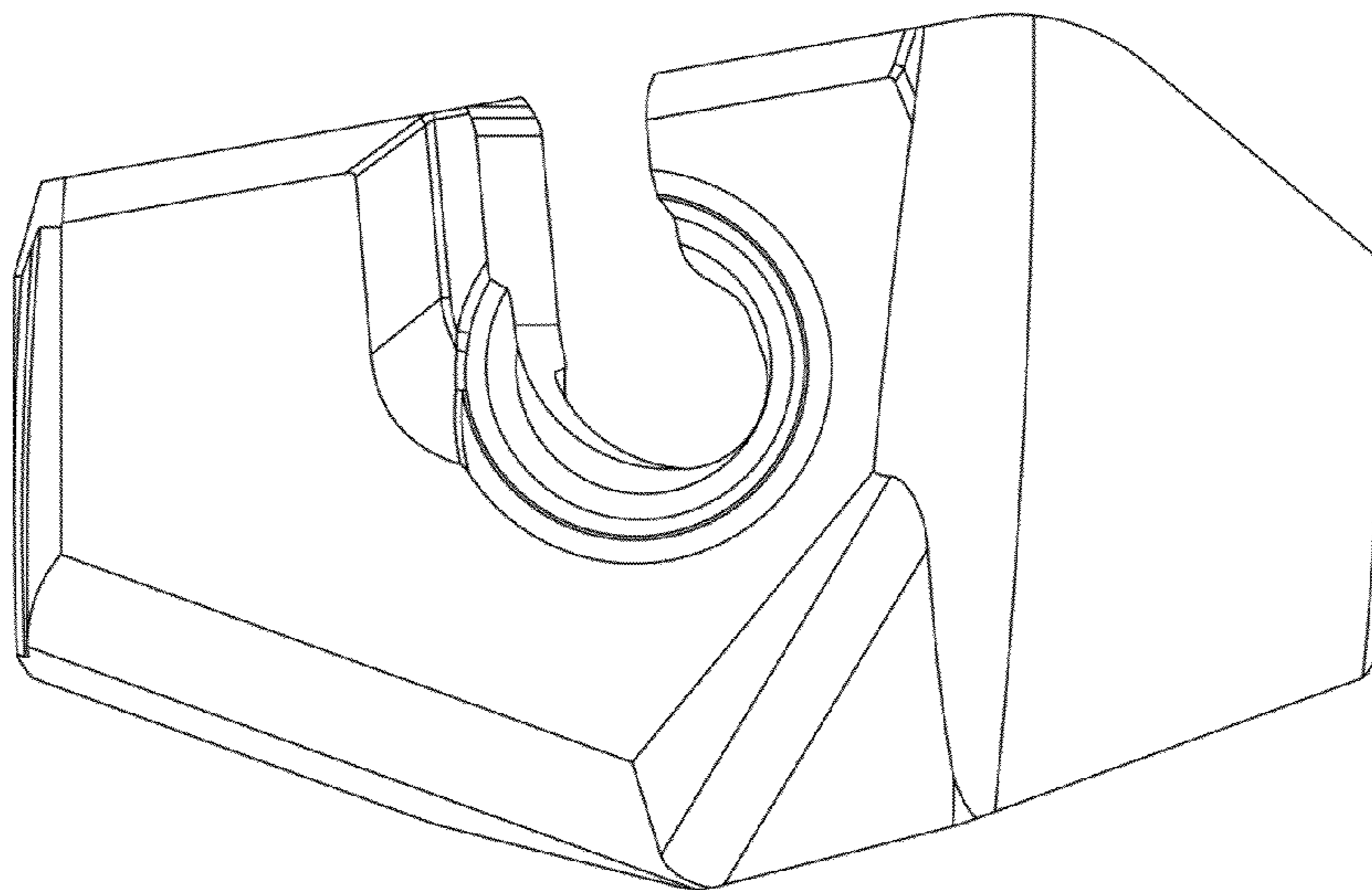


FIG. 6

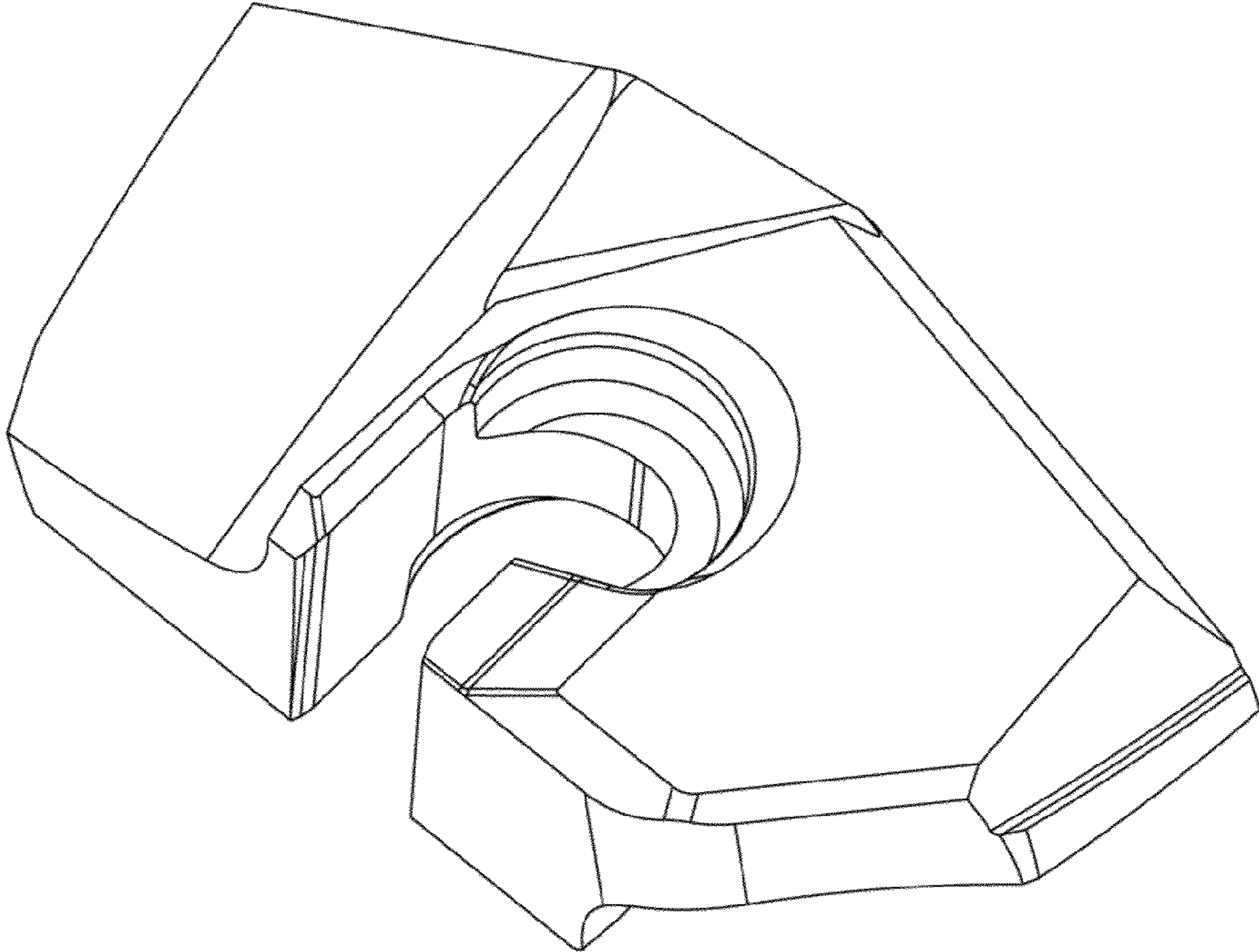


FIG. 7