



US00D700638S

(12) **United States Design Patent**  
**Shou et al.**

(10) **Patent No.:** **US D700,638 S**  
(45) **Date of Patent:** **\*\* Mar. 4, 2014**

(54) **DIE CUTTING MACHINE WITH STRIPPING AND BLANKING**

(75) Inventors: **Yunfei Shou**, Tianjin (CN); **Shuyuan Wei**, Tianjin (CN); **Chengwen Yang**, Tianjin (CN)

(73) Assignee: **Masterwork Machinery Co., Ltd.**, Tianjin (CN)

(\*\*) Term: **14 Years**

(21) Appl. No.: **29/419,246**

(22) Filed: **Apr. 26, 2012**

(30) **Foreign Application Priority Data**

Feb. 13, 2012 (CN) ..... 2012 3 0027055

(51) **LOC (10) Cl.** ..... **15-09**

(52) **U.S. Cl.**  
USPC ..... **D15/123**

(58) **Field of Classification Search**  
USPC ..... D15/122, 124, 127, 128, 130, 131;  
29/26 A, 26 R, 30, 33 A-33 T, 34 R, 39,  
29/50, 563-566, 564.1-564.8; 483/17-57  
See application file for complete search history.

(56) **References Cited**

**U.S. PATENT DOCUMENTS**

D266,520 S \* 10/1982 Engel ..... D15/122  
D378,681 S \* 4/1997 Beijen ..... D15/127  
D406,155 S \* 2/1999 Mariotta et al. .... D15/127

D415,175 S \* 10/1999 Lin ..... D15/127  
6,462,301 B1 \* 10/2002 Scott et al. .... 219/121.67  
D489,077 S \* 4/2004 Bloch ..... D15/127  
D557,295 S \* 12/2007 Formanek ..... D15/127  
D592,230 S \* 5/2009 Hosaka et al. .... D15/199  
D635,596 S \* 4/2011 Hiroshima et al. .... D15/122  
D659,728 S \* 5/2012 Mueller ..... D15/122

\* cited by examiner

*Primary Examiner* — Patricia Palasik

(74) *Attorney, Agent, or Firm* — Michael D. Bednarek;  
Axinn Veltrop Harkrider LLP

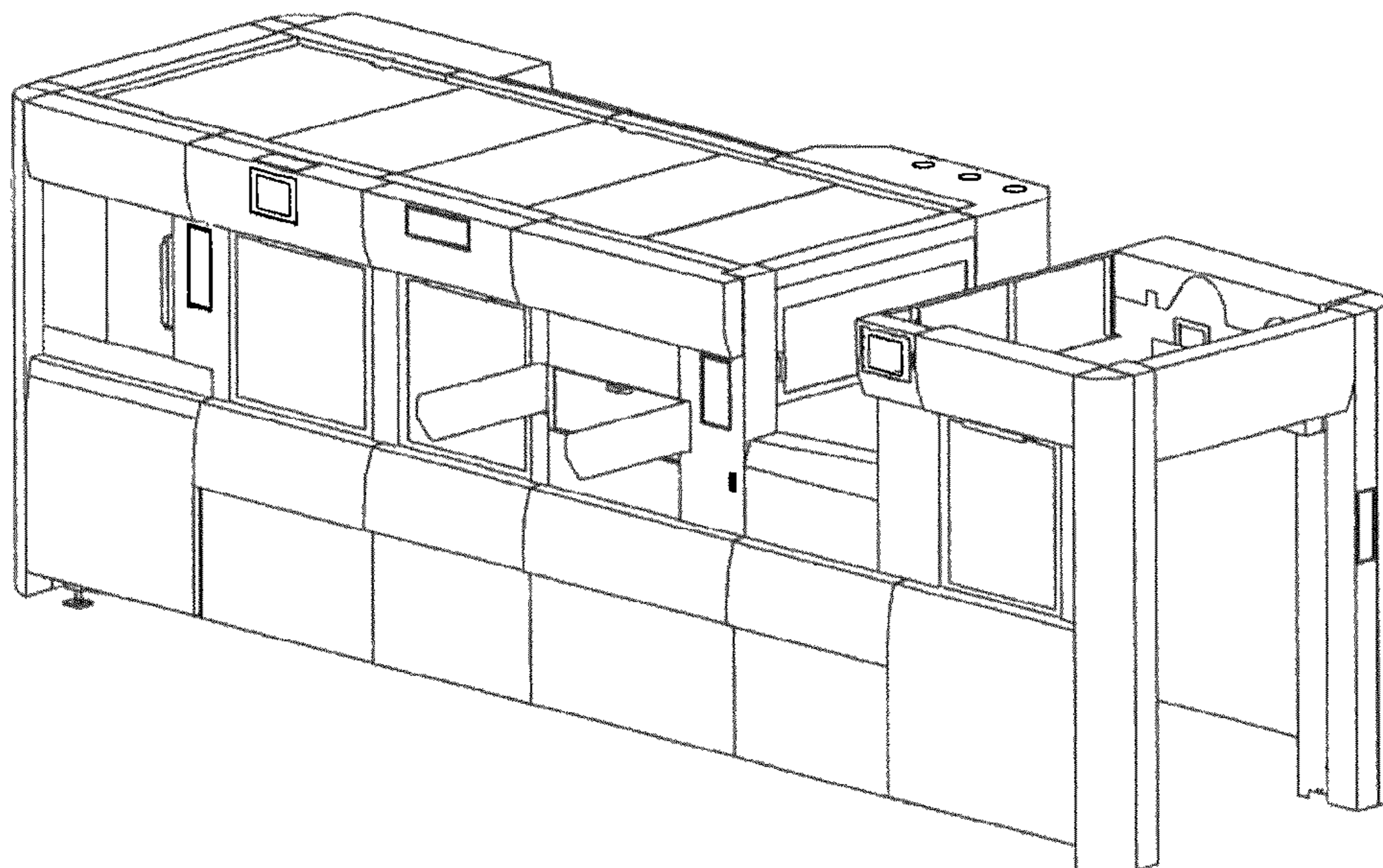
(57) **CLAIM**

We claim the ornamental design for a die cutting machine with stripping and blanking, as shown and described.

**DESCRIPTION**

FIG. 1 is a perspective view of the front, top, and right side of a die cutting machine with stripping and blanking;  
FIG. 2 is a perspective view of the front, top, and left side of a die cutting machine with stripping and blanking;  
FIG. 3 is a perspective view of the back, top, and right side of a die cutting machine with stripping and blanking;  
FIG. 4 is a front view thereof;  
FIG. 5 is a back view thereof;  
FIG. 6 is a right view thereof;  
FIG. 7 is a left view thereof;  
FIG. 8 is a top view thereof; and,  
FIG. 9 is a bottom view thereof.

**1 Claim, 9 Drawing Sheets**



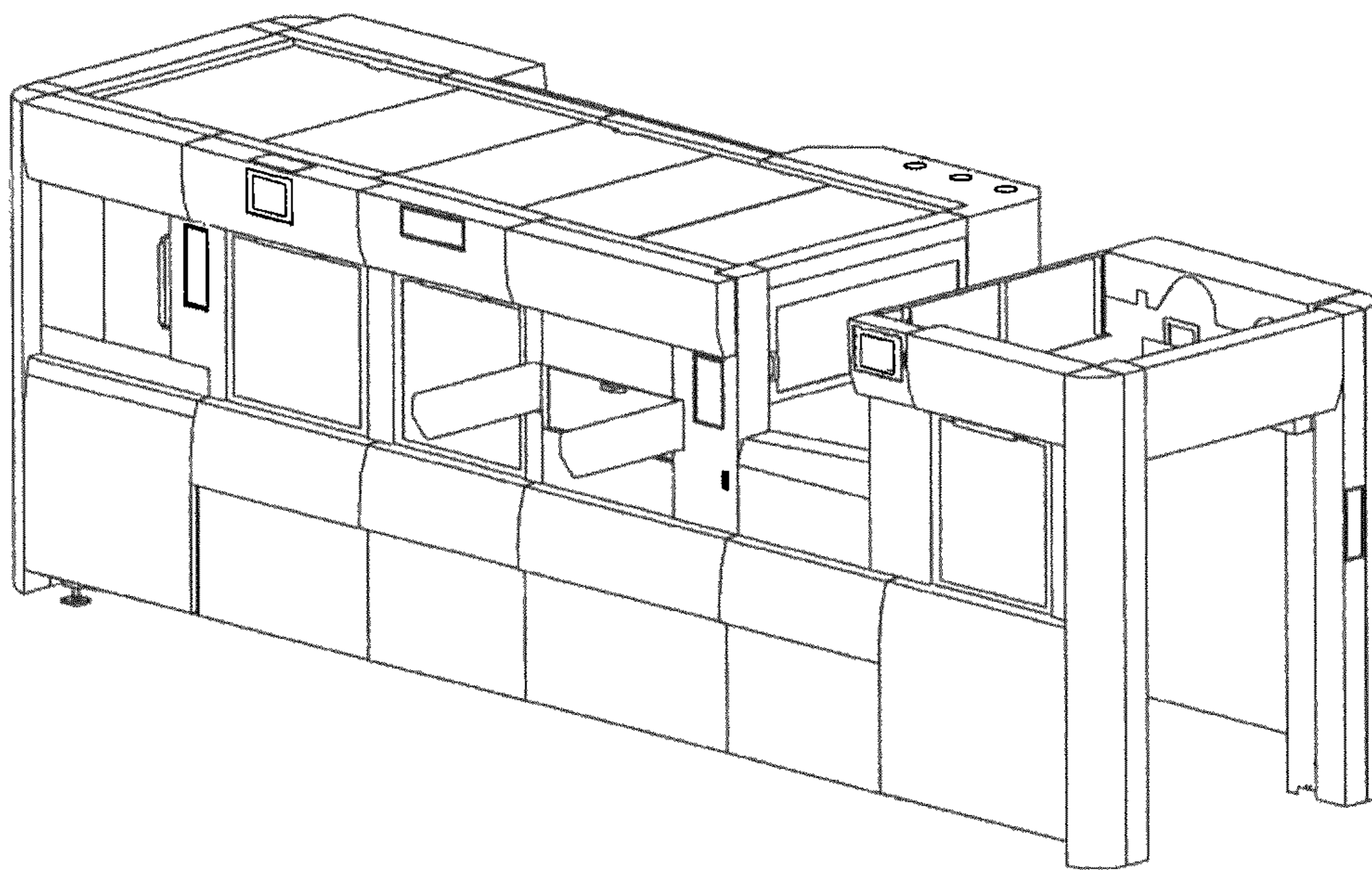


Fig.1

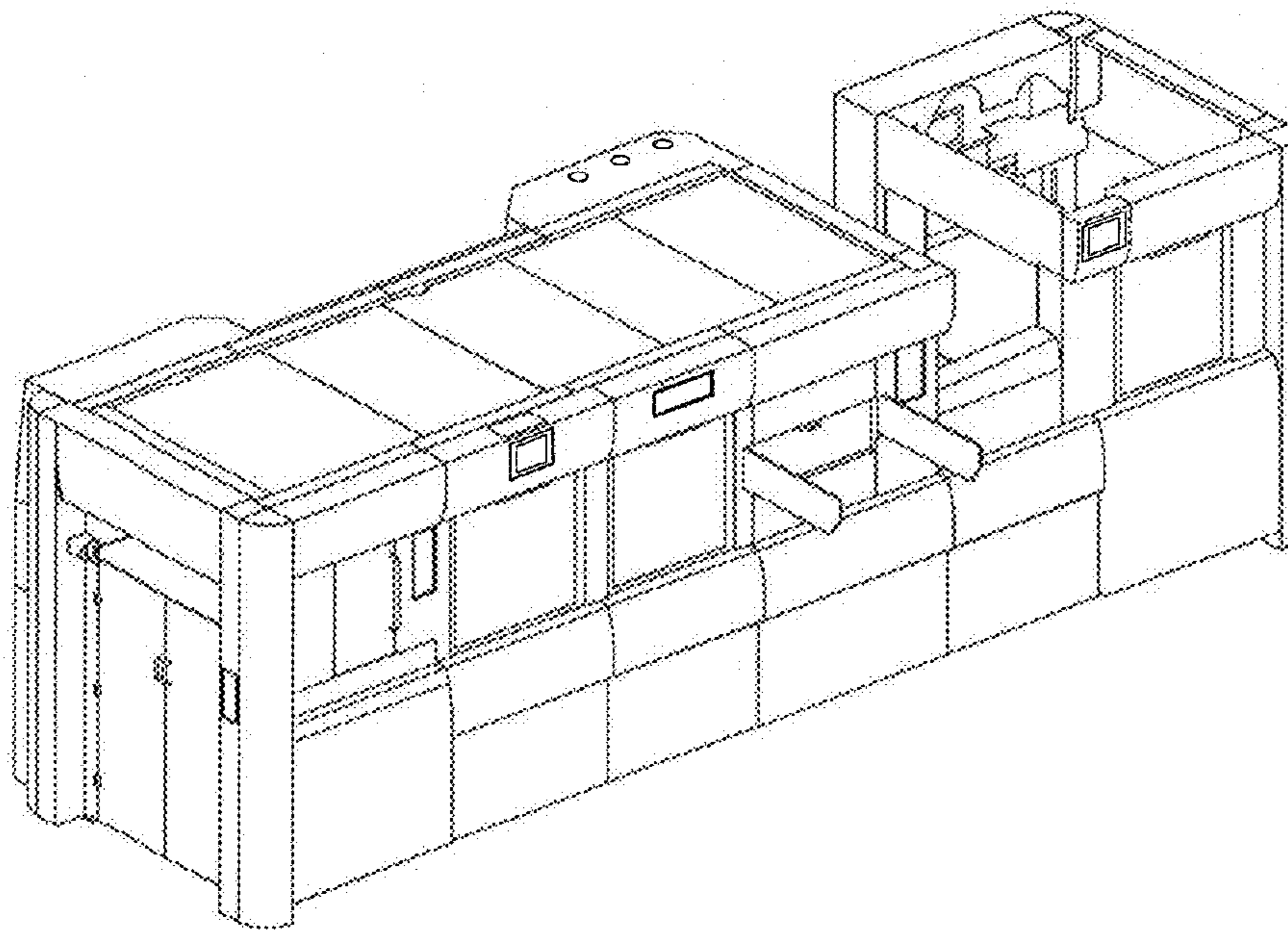


Fig.2



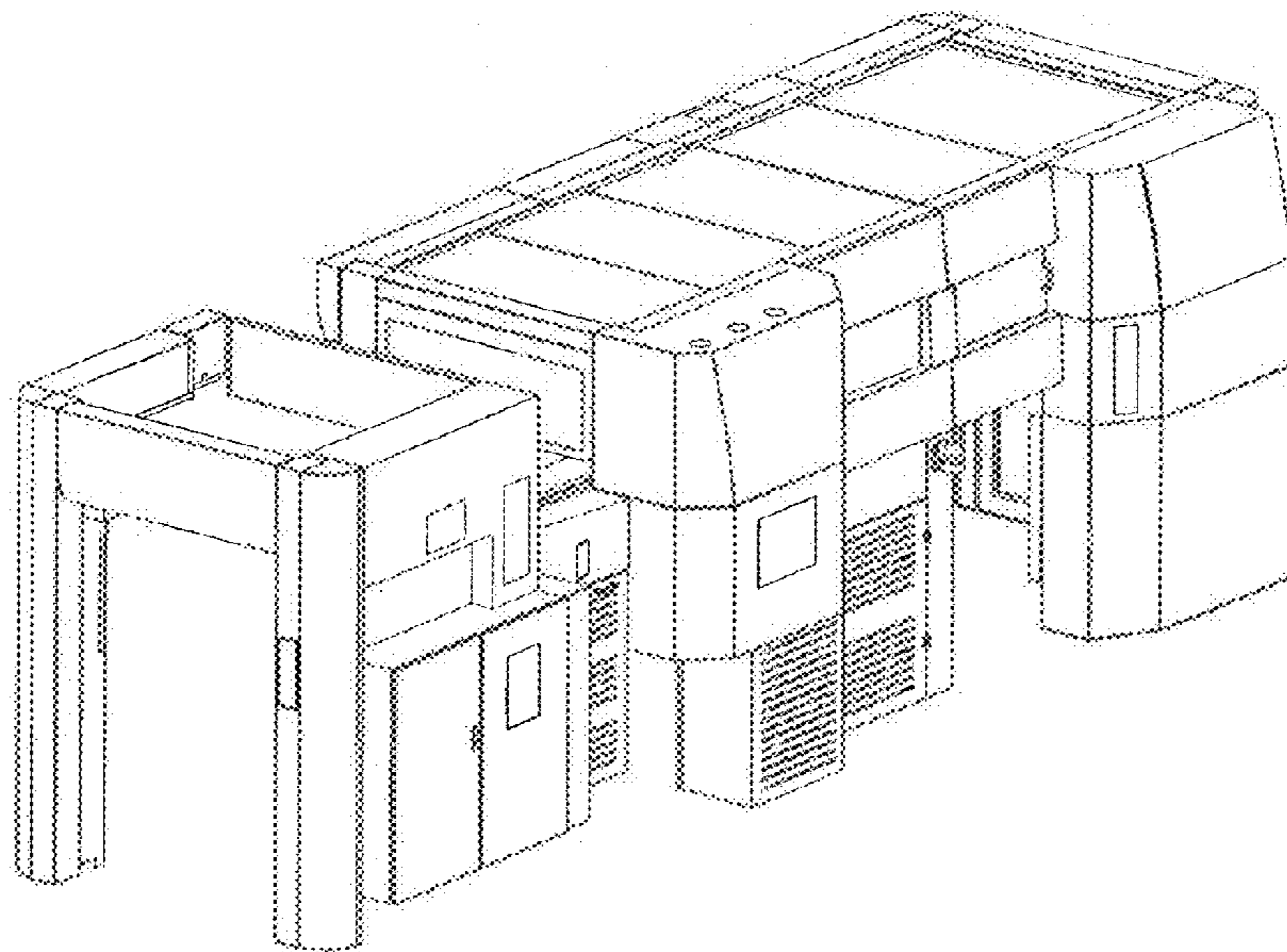


Fig.3

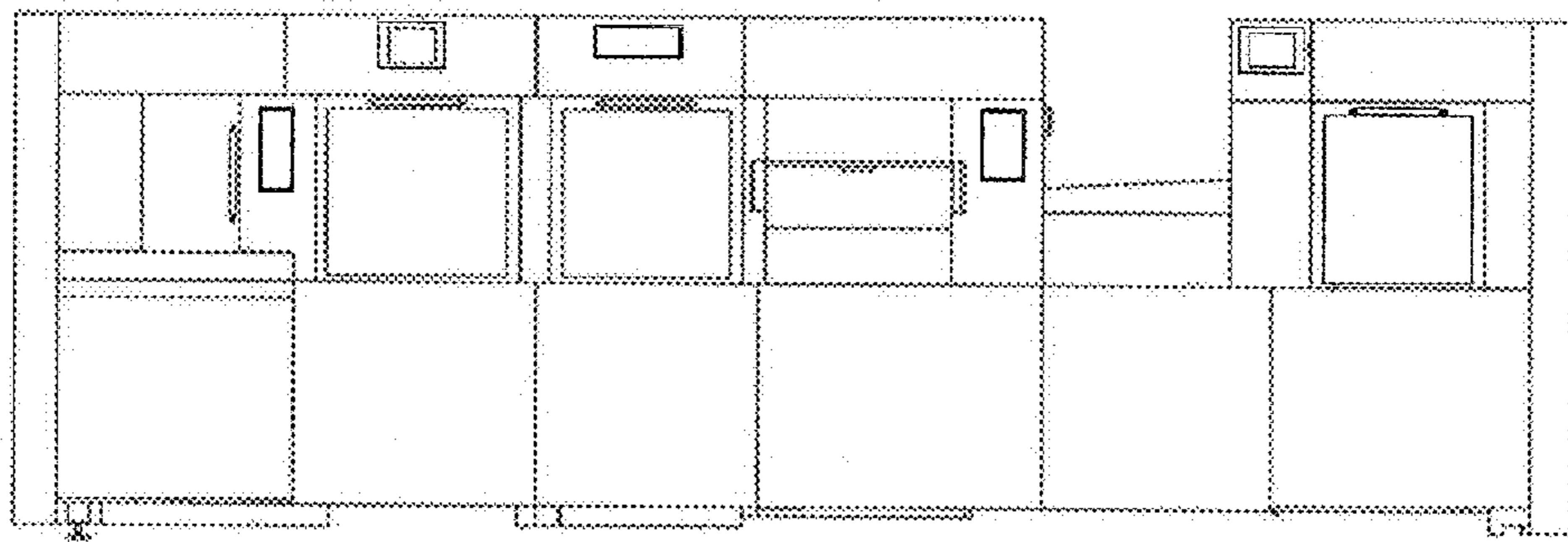


Fig.4

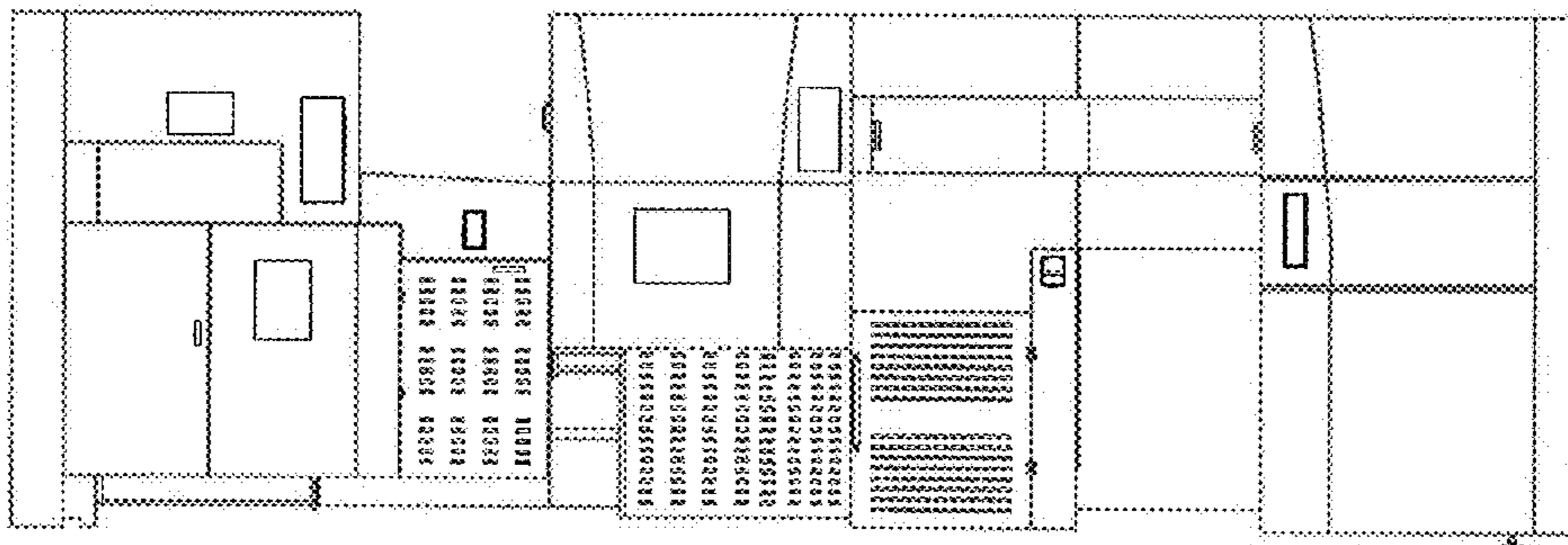


Fig.5

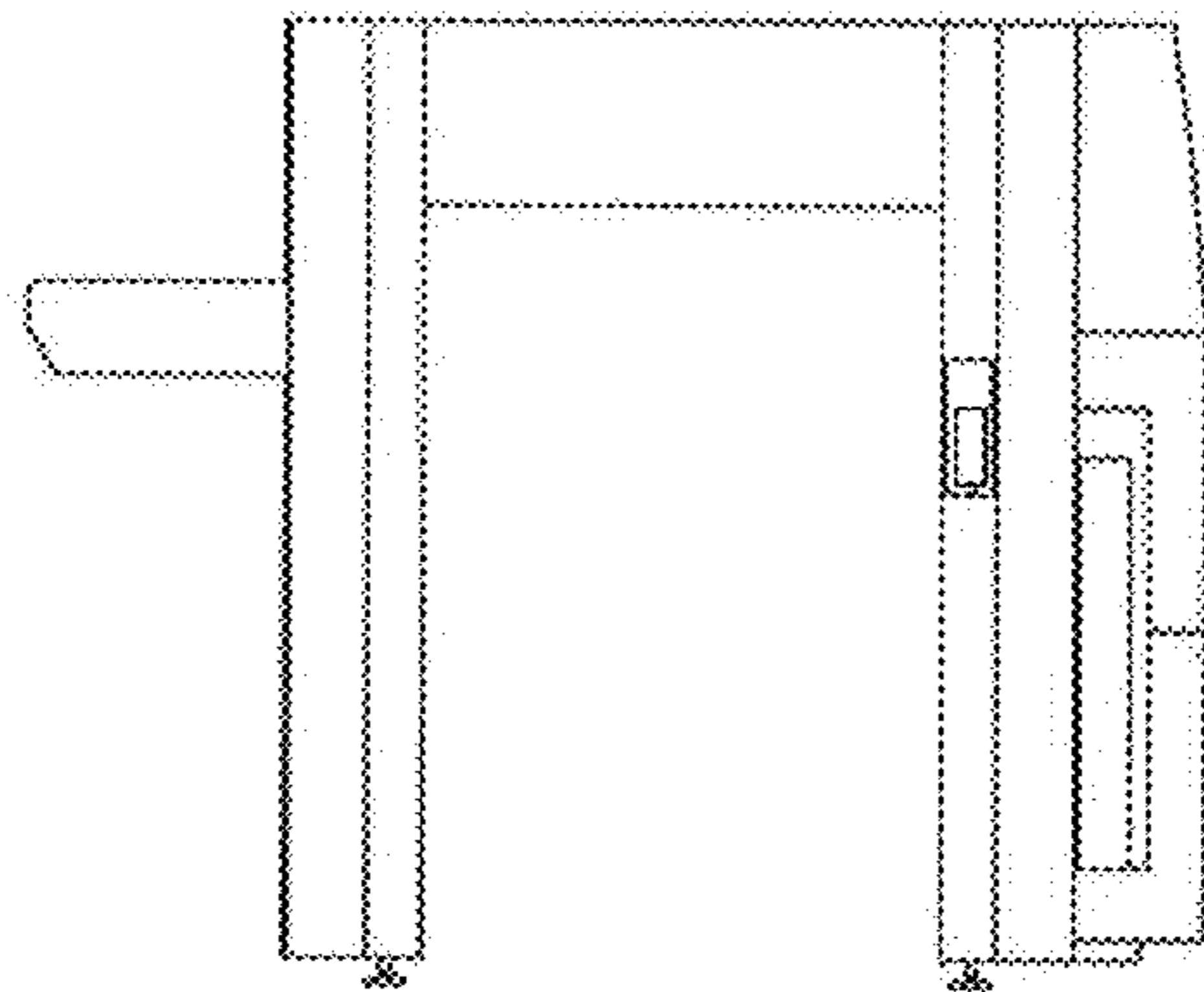


Fig.6

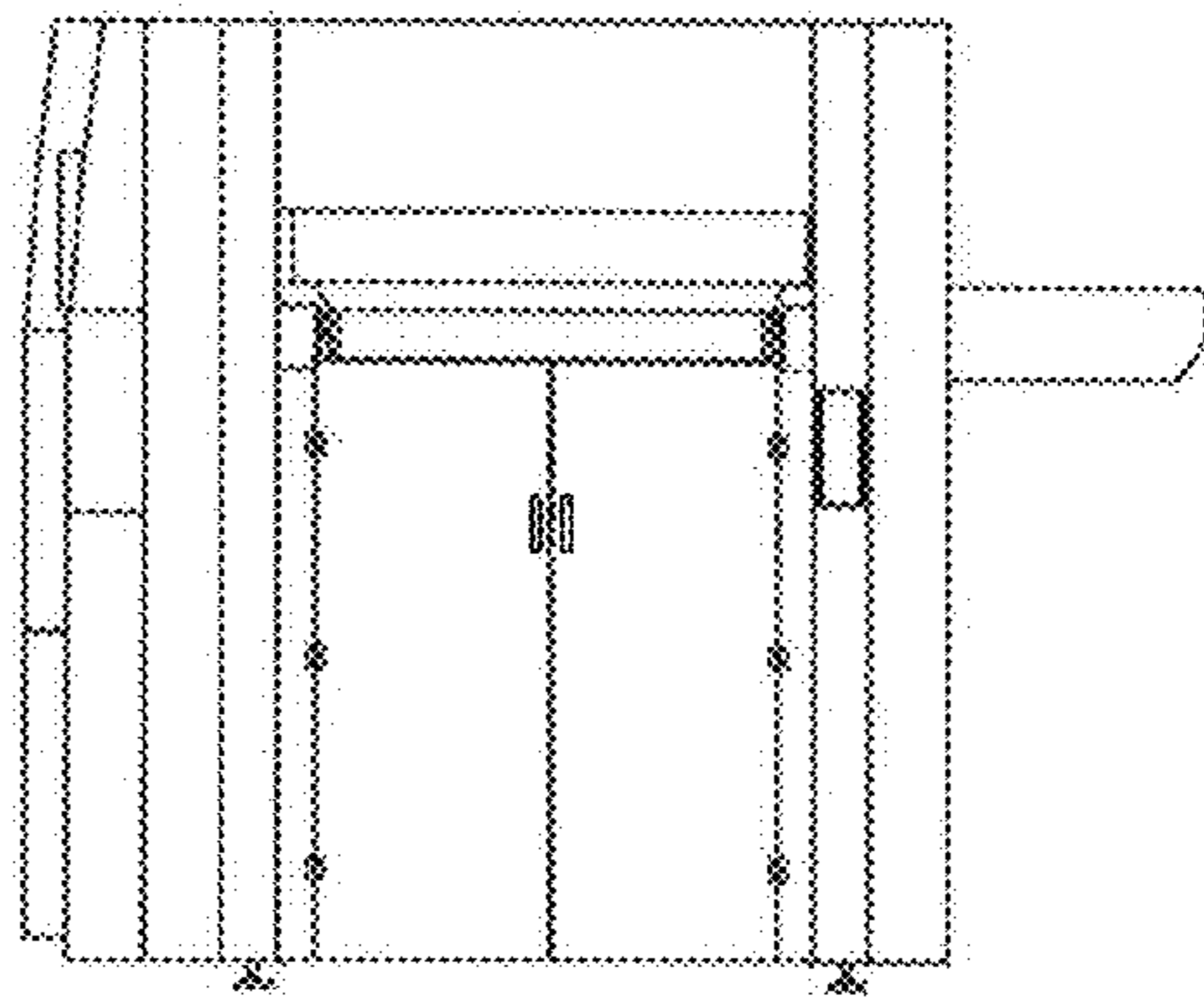


Fig.7



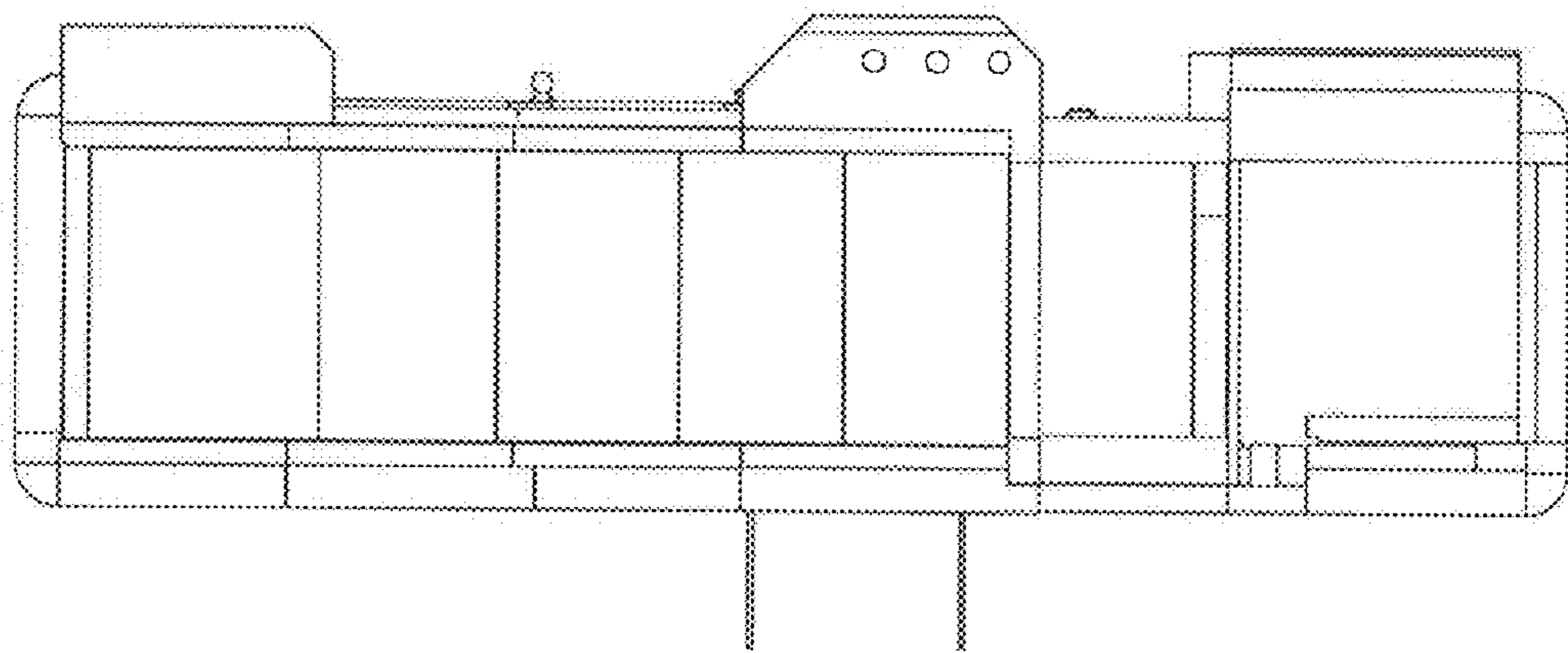


Fig.8

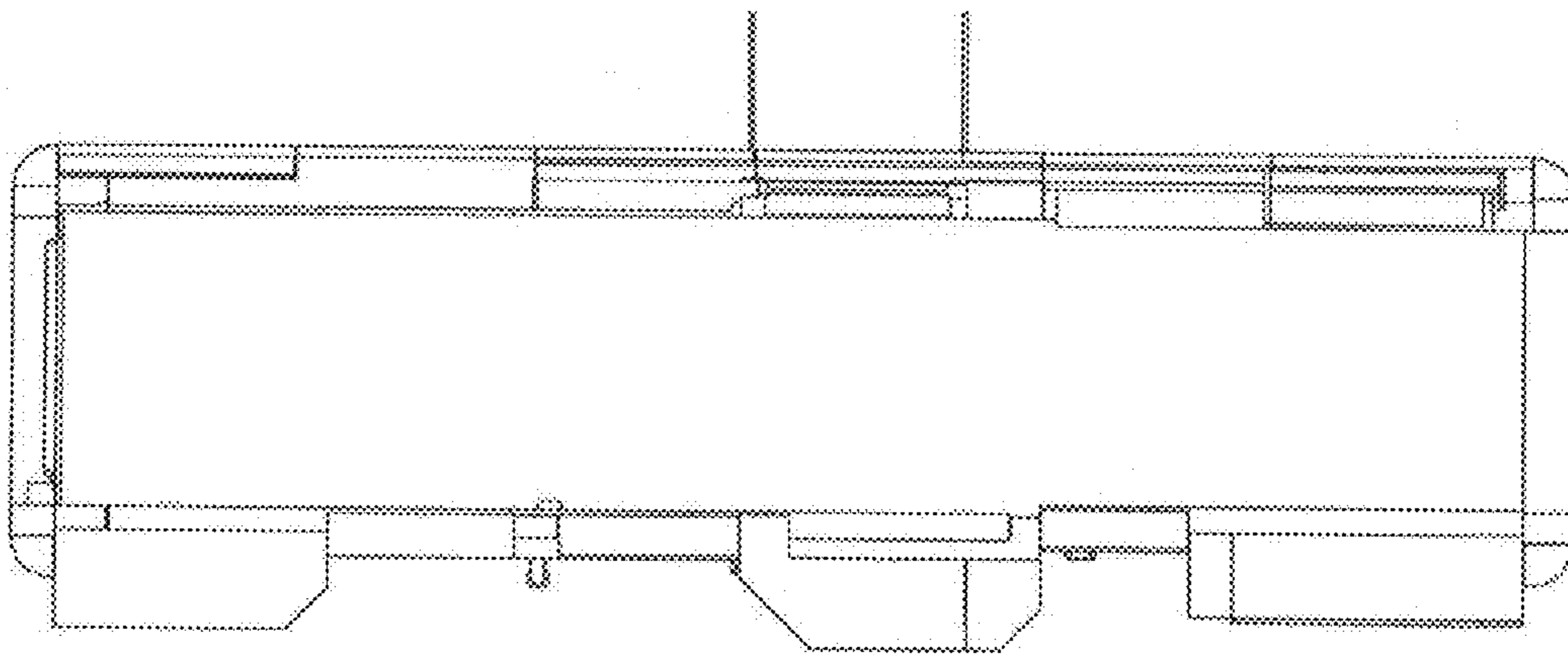


Fig.9