



US00D700634S

(12) **United States Design Patent**
Saitou et al.

(10) **Patent No.:** **US D700,634 S**
(45) **Date of Patent:** **** Mar. 4, 2014**

(54) **SEWING MACHINE**

(71) Applicant: **Juki Corporation**, Tama (JP)

(72) Inventors: **Syuuichi Saitou**, Hachioji (JP); **Shigemi Yamamoto**, Komae (JP); **Yuuko Takemoto**, Kawasaki (JP)

(73) Assignee: **Juki Corporation**, Tokyo (JP)

(**) Term: **14 Years**

(21) Appl. No.: **29/447,218**

(22) Filed: **Mar. 1, 2013**

(30) **Foreign Application Priority Data**

Feb. 13, 2013 (JP) 2013-002821

(51) **LOC (10) Cl.** **15-06**

(52) **U.S. Cl.**
USPC **D15/69**

(58) **Field of Classification Search**
USPC D15/66-78; 112/2, 63, 78, 154, 475.01,
112/256-261, 217.1-217.4
See application file for complete search history.

(56) **References Cited**

U.S. PATENT DOCUMENTS

D267,881 S *	2/1983	Current	D15/68
4,407,211 A *	10/1983	Kiyoshima	112/260
D307,024 S *	4/1990	Itoh et al.	D15/69
D309,739 S *	8/1990	Itoh et al.	D15/69
D321,518 S *	11/1991	Uchida	D15/69
D321,694 S *	11/1991	Uchida	D15/69

D338,022 S *	8/1993	Takada et al.	D15/69
5,471,941 A *	12/1995	Sakuma	112/255
D372,720 S *	8/1996	Hattori et al.	D15/69
D392,294 S *	3/1998	Kato et al.	D15/69
D450,721 S *	11/2001	Kawaguchi	D15/69
D462,368 S *	9/2002	Kuroki	D15/69
D465,793 S *	11/2002	Takada et al.	D15/69
D478,337 S *	8/2003	Kuroki	D15/69
D478,916 S *	8/2003	Kuroki	D15/69
D482,702 S *	11/2003	Kawaguchi	D15/69
D524,828 S *	7/2006	Kuroki	D15/69
D553,650 S *	10/2007	Muto	D15/69
D555,176 S *	11/2007	Ogawa	D15/69
D632,706 S *	2/2011	Hattori	D15/69
D648,757 S *	11/2011	Muto	D15/69

* cited by examiner

Primary Examiner — Mitchell Siegel

(74) *Attorney, Agent, or Firm* — Holtz, Holtz, Goodman & Chick

(57) **CLAIM**

The ornamental design for a sewing machine, as shown.

DESCRIPTION

FIG. 1 is a front elevational view of a sewing machine showing our new design;
FIG. 2 is a rear elevational view thereof;
FIG. 3 is a left side view thereof;
FIG. 4 is a right side view thereof;
FIG. 5 is a top plan view thereof;
FIG. 6 is a bottom plan view thereof; and
FIG. 7 is a top, front, left side perspective view thereof; and,
FIG. 8 is a top, rear, right side perspective view thereof.

1 Claim, 8 Drawing Sheets

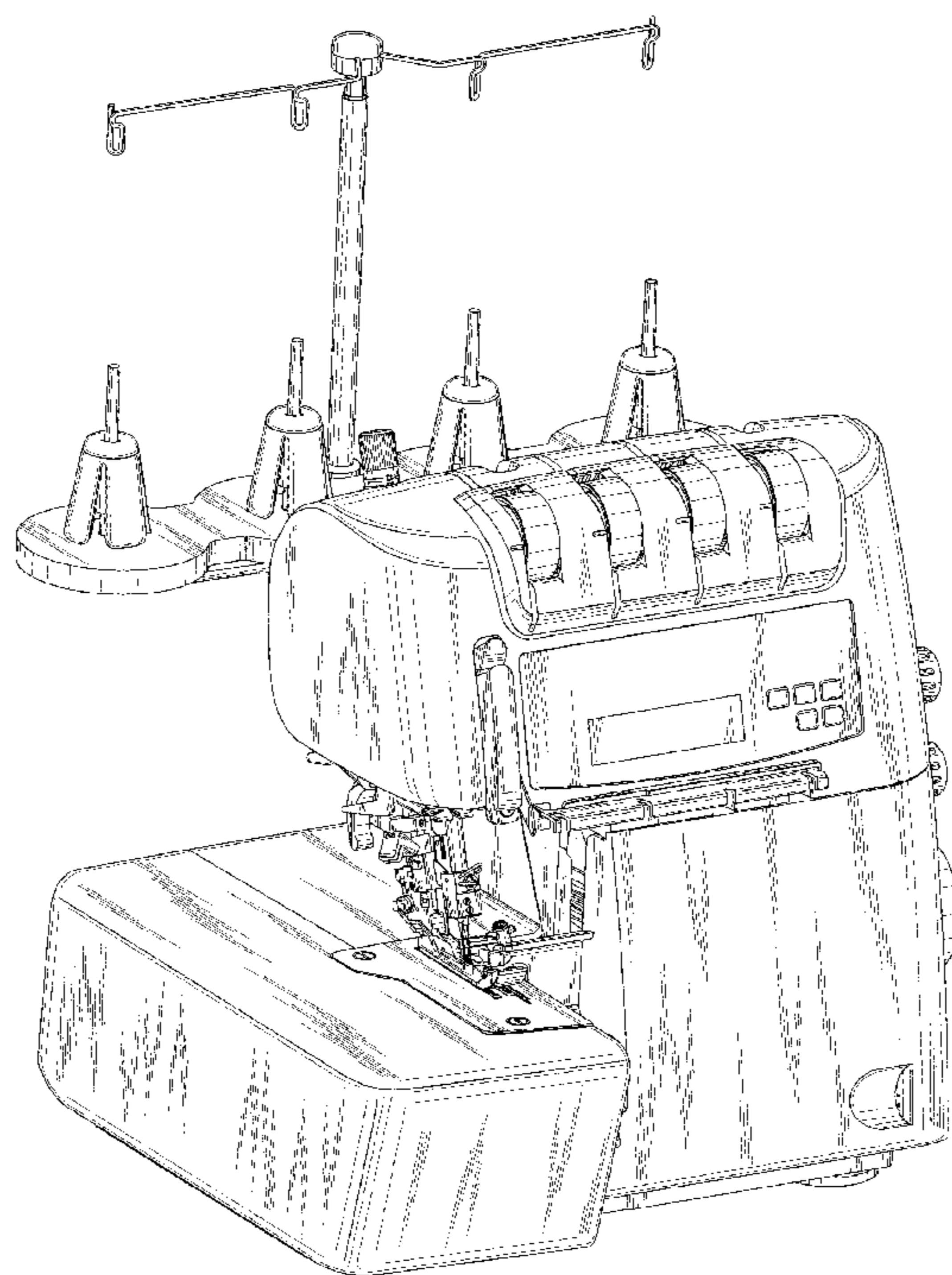


FIG. 1

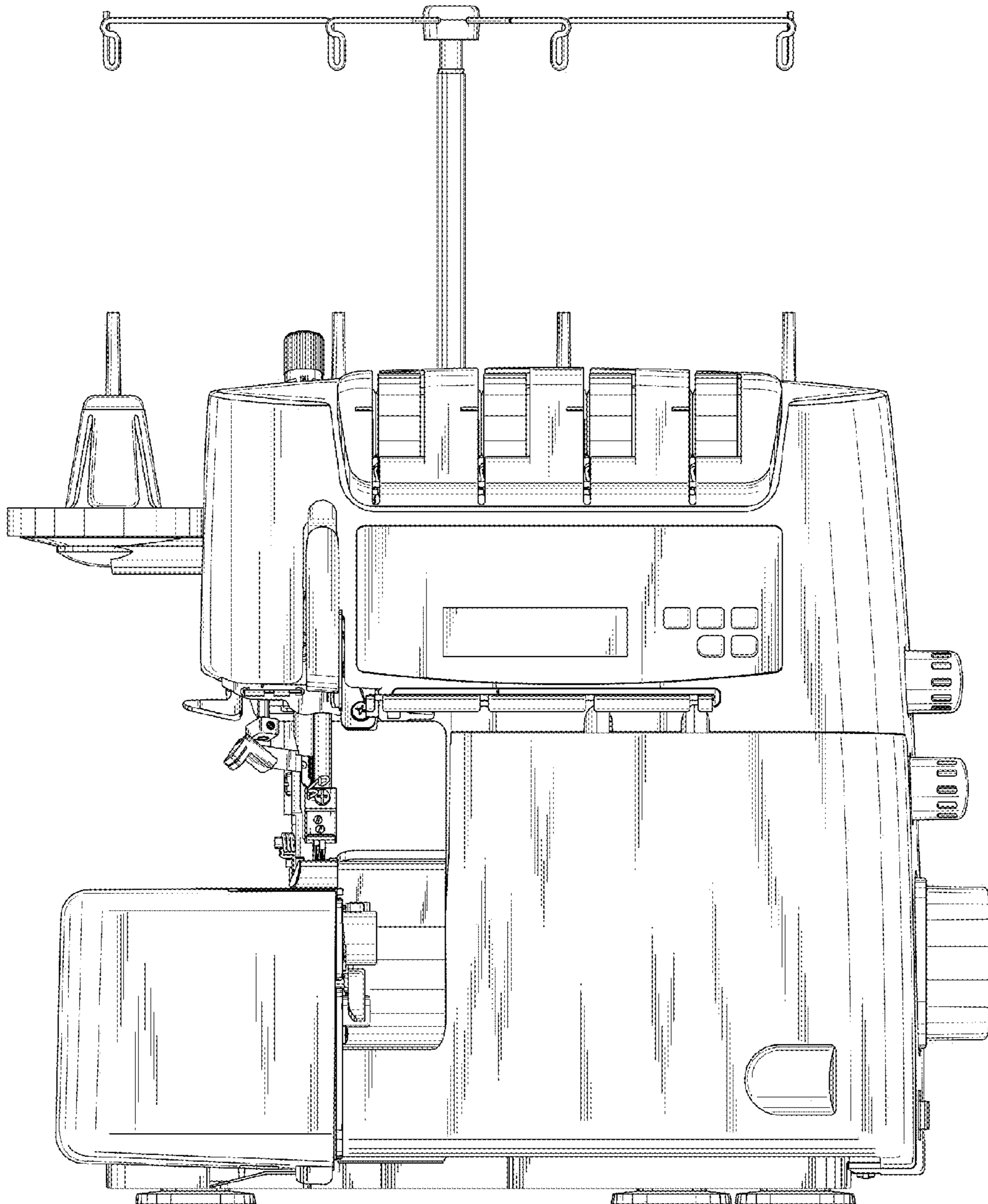


FIG. 2

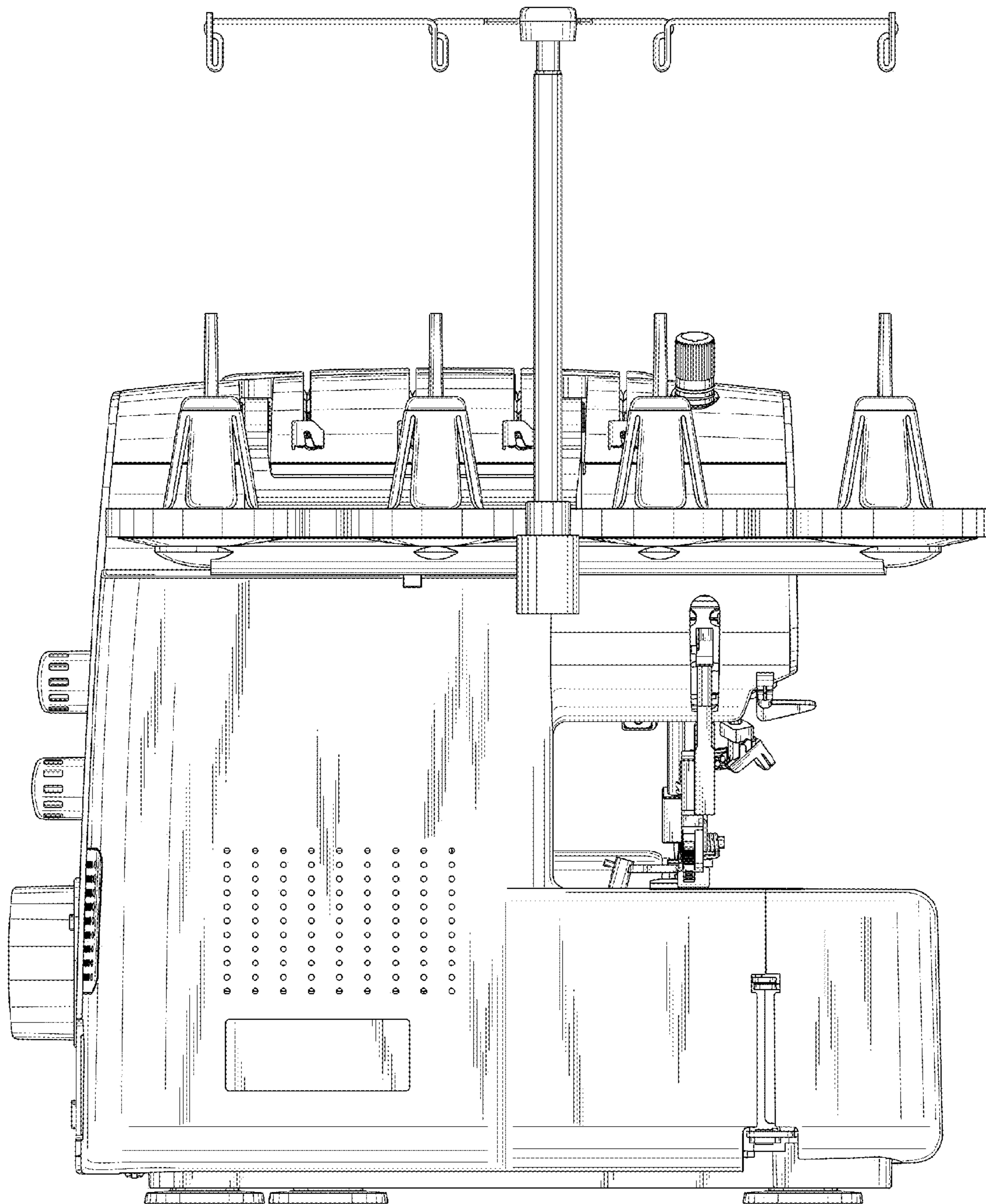


FIG. 3

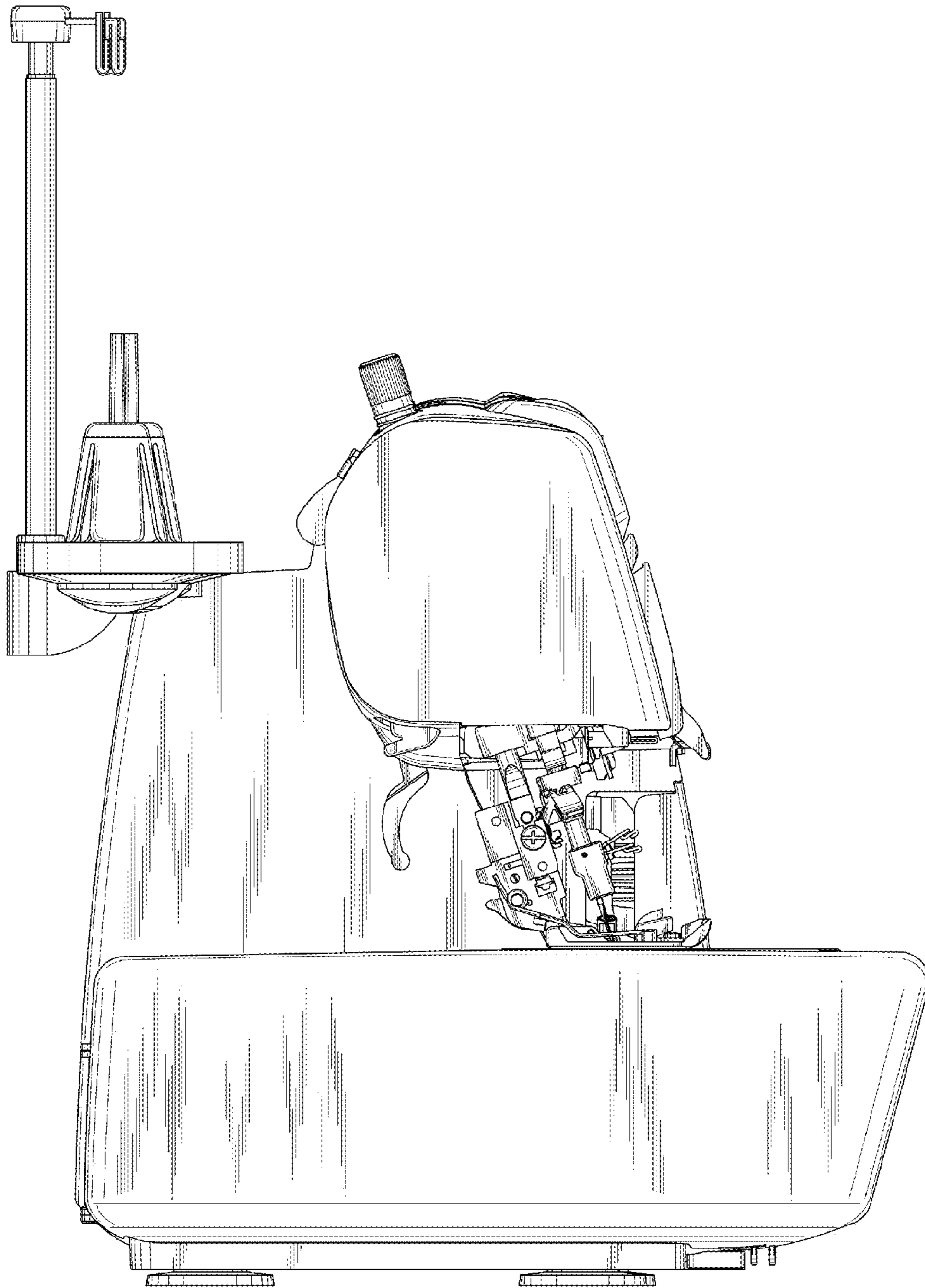


FIG. 4

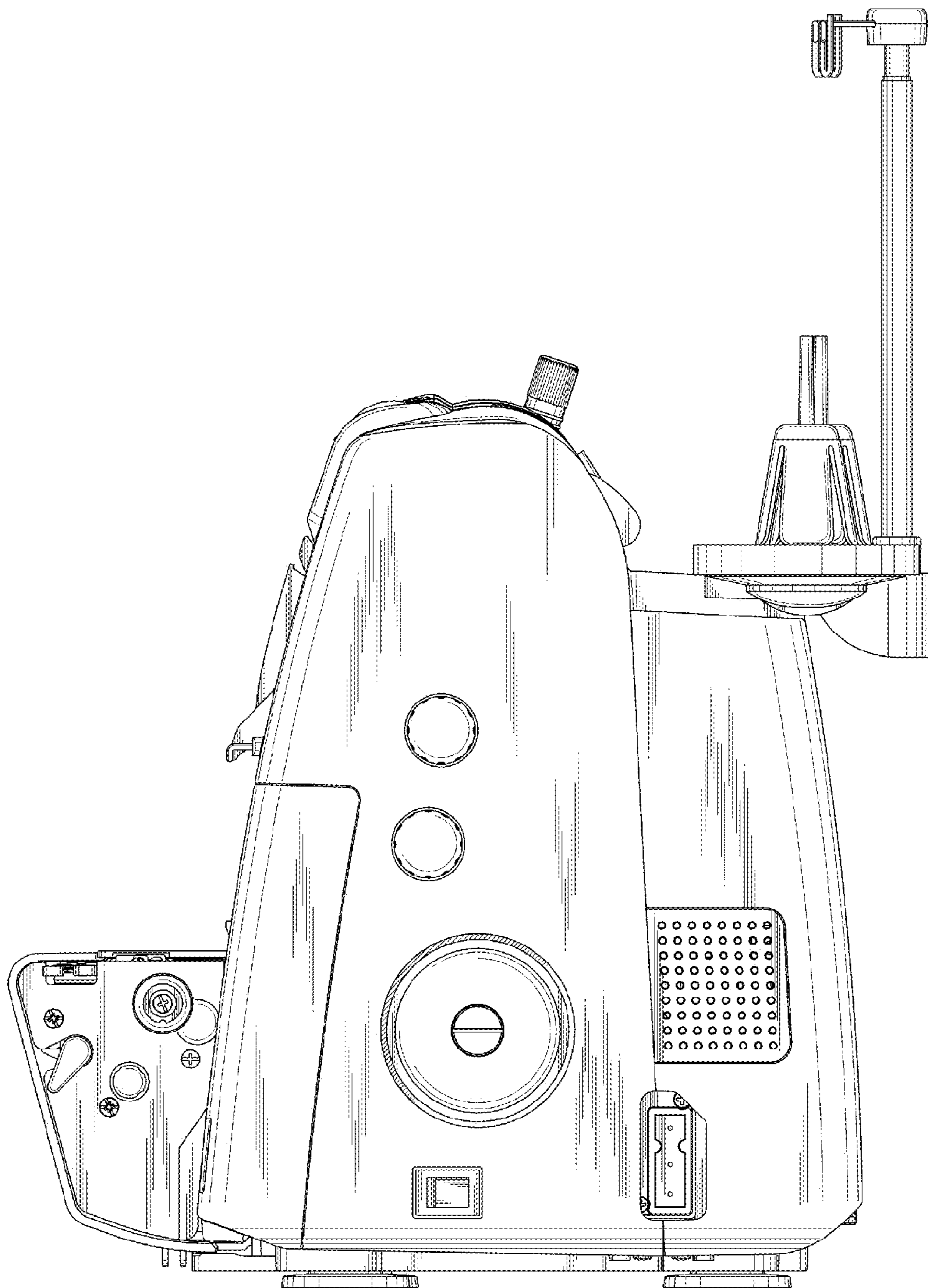


FIG. 5

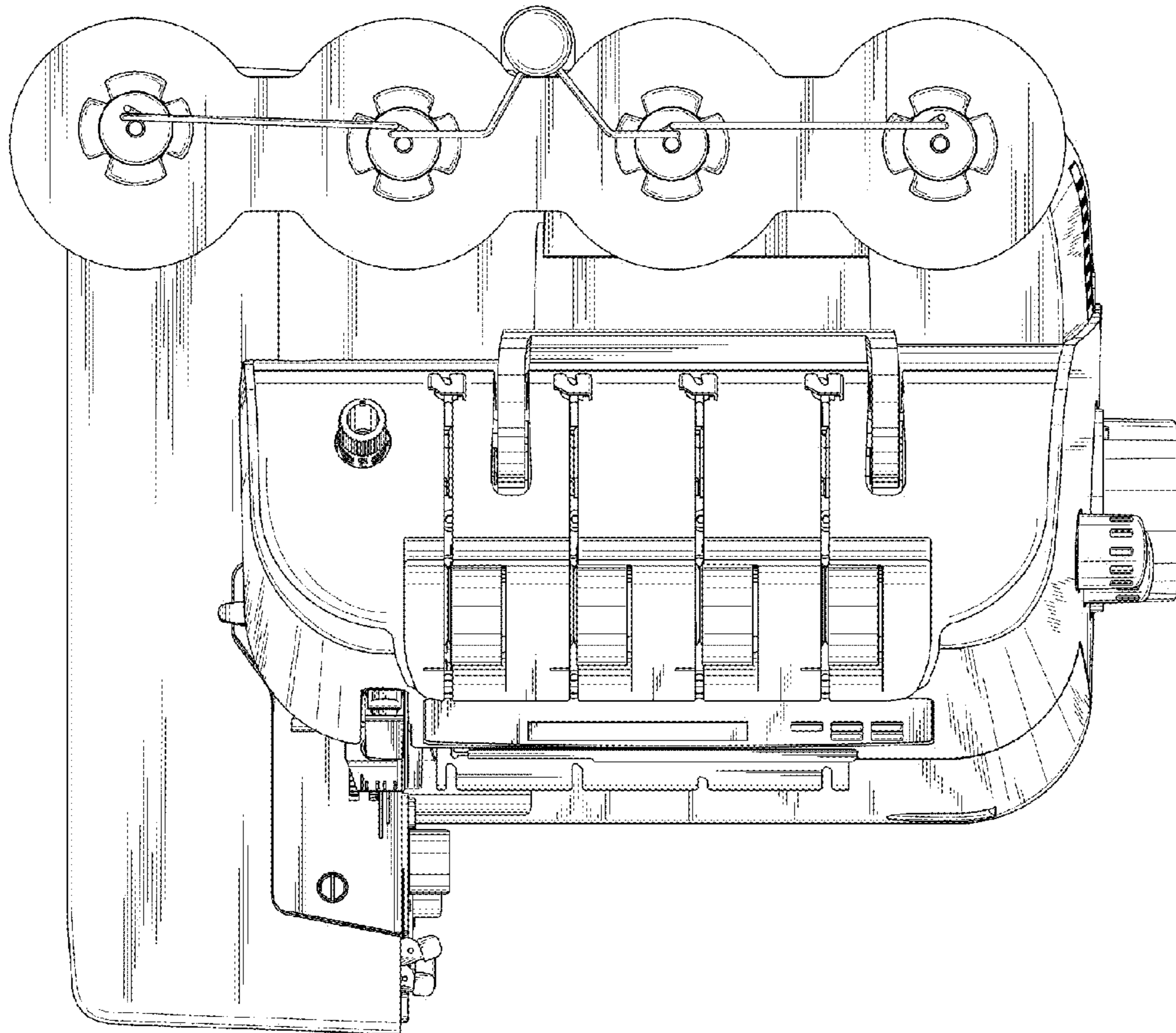


FIG. 6

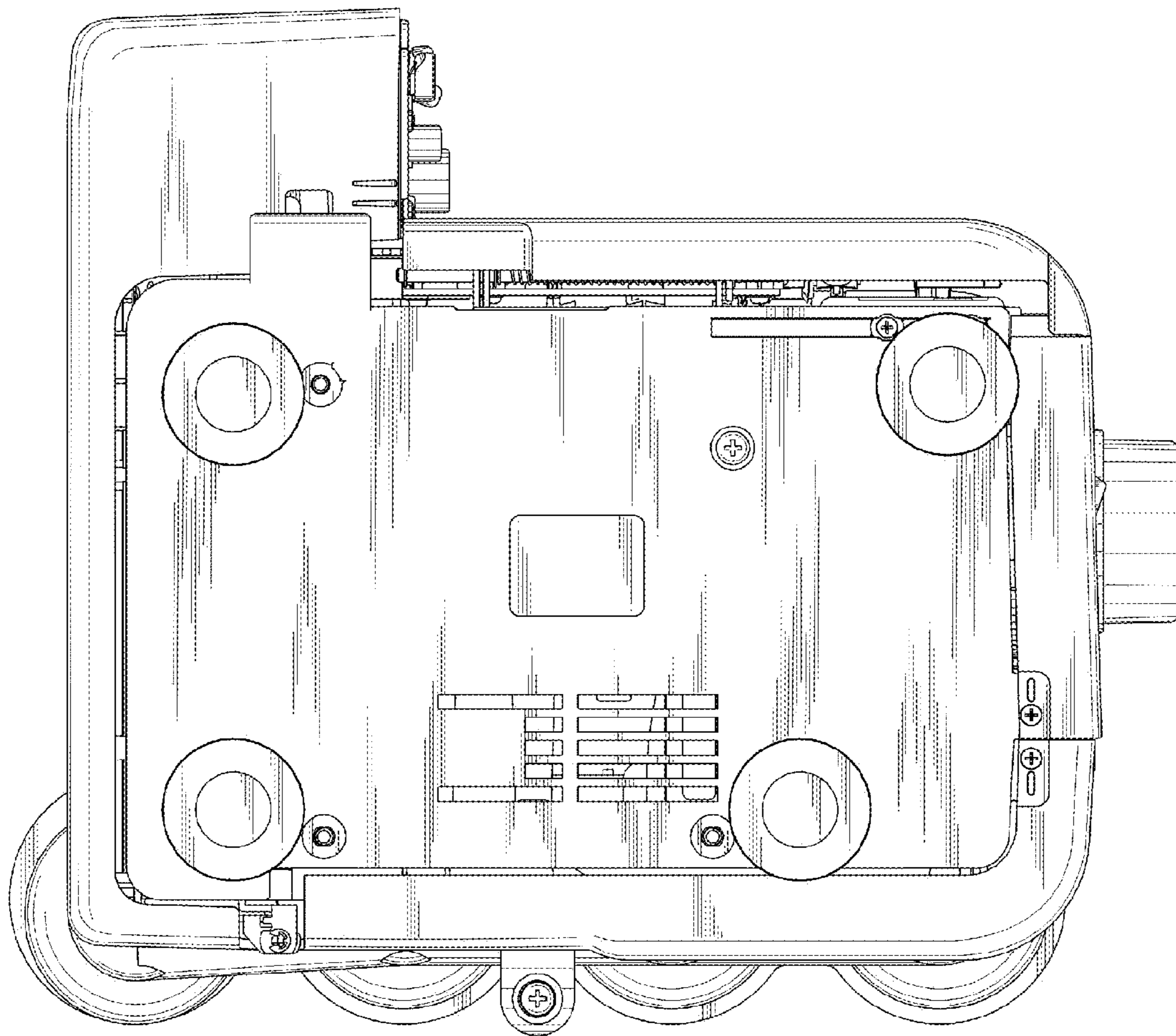


FIG. 7

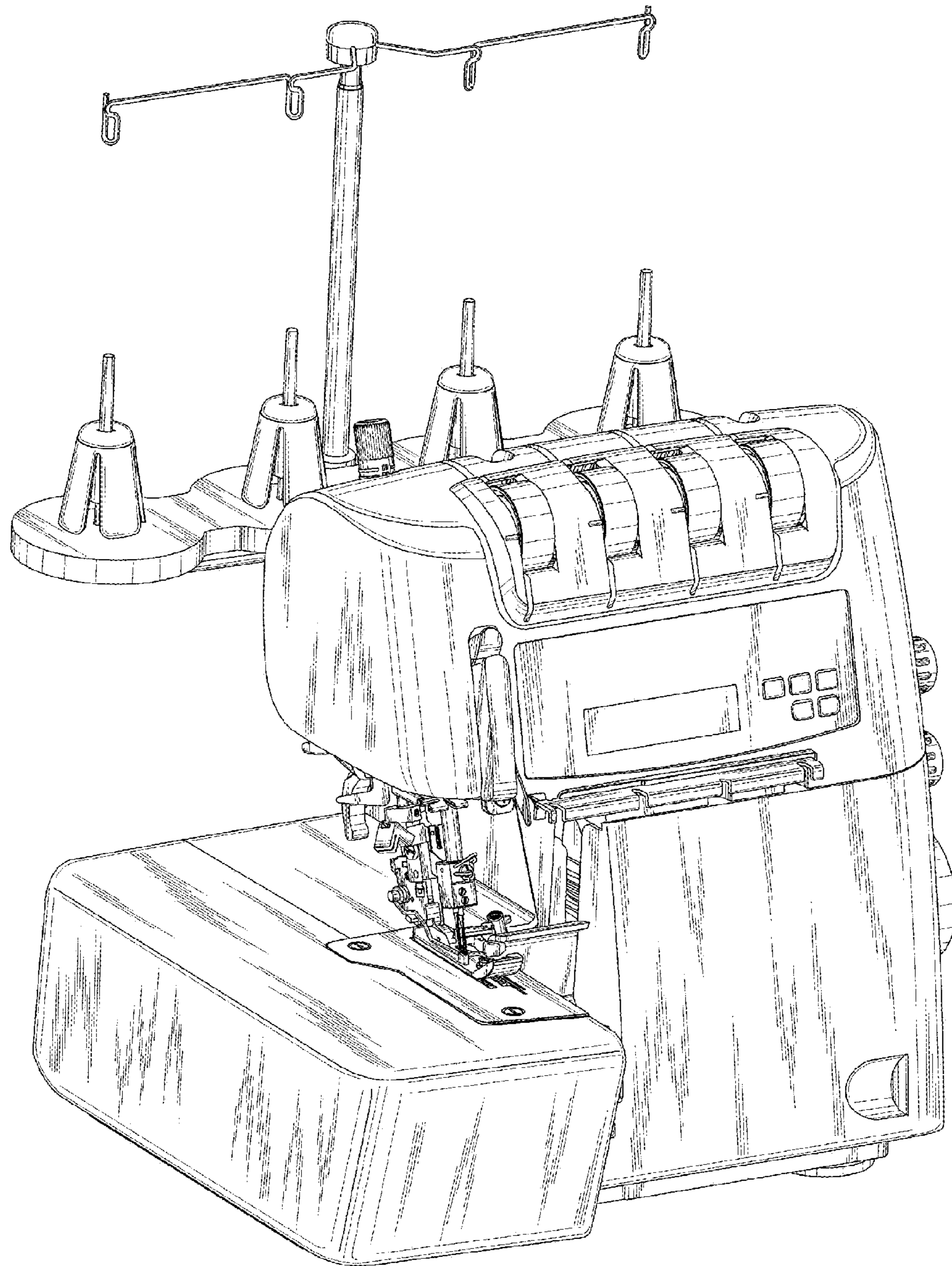


FIG. 8

