



US00D700633S

(12) **United States Design Patent**
Giles

(10) **Patent No.:** **US D700,633 S**
(45) **Date of Patent:** **** Mar. 4, 2014**

- (54) **ASPHALT REPAIR DEVICE**
- (71) Applicant: **Heatwurx, Inc.**, Greenwood Village, CO (US)
- (72) Inventor: **Richard Paul Giles**, Park City, UT (US)
- (73) Assignee: **Heatwurx, Inc.**, Greenwood Village, CO (US)
- (**) Term: **14 Years**
- (21) Appl. No.: **29/461,750**
- (22) Filed: **Jul. 26, 2013**
- (51) **LOC (10) Cl.** **15-03**
- (52) **U.S. Cl.**
USPC **D15/32; D15/28; D15/19**
- (58) **Field of Classification Search**
USPC **D15/32, 28, 19, 13, 10; 404/93, 107, 404/133.2, 112, 118-122**
See application file for complete search history.

3,965,281 A 6/1976 Takase
 3,970,404 A 7/1976 Benedetti
 3,989,401 A 11/1976 Moench
 3,997,276 A 12/1976 Jackson, Sr.

(Continued)

FOREIGN PATENT DOCUMENTS

CA 999462 11/1976
 CA 1061623 9/1979

(Continued)

OTHER PUBLICATIONS

U.S. Appl. No. 12/651,358, filed Dec. 31, 2009, Giles.

(Continued)

Primary Examiner — Mark Goodwin
 (74) *Attorney, Agent, or Firm* — Sheridan Ross P.C.

(57) **CLAIM**

The ornamental design for an asphalt repair device, as shown and described.

(56) **References Cited**

U.S. PATENT DOCUMENTS

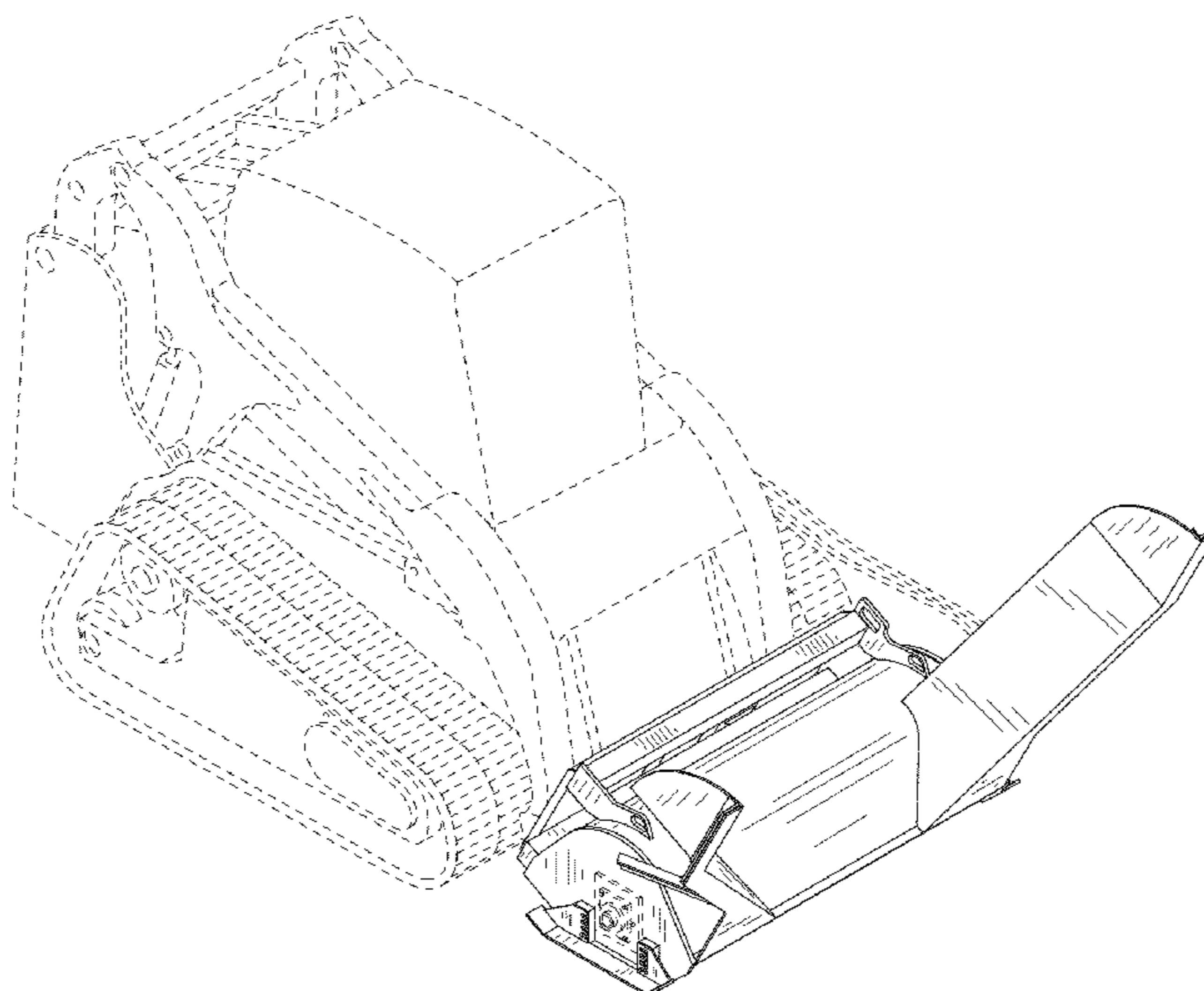
371,288 A	10/1887	Walker	
2,088,534 A	7/1937	Pittman	
2,134,245 A	10/1938	Carswell	
2,397,782 A	4/1946	Flynn	
2,832,187 A *	4/1958	Johnson	56/207
2,924,054 A	2/1960	Myers	
3,224,347 A	12/1965	Seaman	
3,309,854 A	3/1967	Mitchell et al.	
3,375,764 A	4/1968	Petersen	
3,405,613 A *	10/1968	Gustafson	404/108
3,564,985 A	2/1971	Heller	
3,625,489 A	12/1971	Weaver	
3,732,023 A	5/1973	Rank et al.	
3,807,886 A	4/1974	Cutler	
3,820,914 A	6/1974	Zimmerman	
3,874,366 A	4/1975	Cutler	
D236,745 S *	9/1975	Fuentes	D15/22
3,907,450 A	9/1975	Cutler	

DESCRIPTION

FIG. 1 is a front perspective view of the asphalt repair device showing my new design in a first state; FIG. 2 is a front elevation view thereof; FIG. 3 is a rear elevation view thereof; FIG. 4 is a left elevation view thereof; FIG. 5 is a right elevation view thereof; FIG. 6 is a top plan view thereof; FIG. 7 is a bottom plan view thereof; and, FIG. 8 is a front perspective view of the asphalt repair device in a second state.

The broken line showing of a loader and portions of an asphalt repair device is included for the purpose of illustrating environmental structure only and forms no part of the claimed design.

1 Claim, 5 Drawing Sheets



(56)

References Cited

U.S. PATENT DOCUMENTS

4,007,995 A	2/1977	Rofidal	5,829,235 A	11/1998	Rice et al.
4,011,023 A	3/1977	Cutler	5,848,755 A	12/1998	Zickell et al.
4,018,540 A	4/1977	Jackson, Sr.	5,895,171 A	4/1999	Wiley et al.
4,072,435 A	2/1978	Coho	5,899,630 A	5/1999	Brock
4,084,915 A	4/1978	Wiseblood	5,928,746 A	7/1999	Dalton et al.
4,124,325 A	11/1978	Cutler	5,938,130 A	8/1999	Zickell
4,129,398 A	12/1978	Schoelkopf	5,947,634 A	9/1999	Robillard
4,139,318 A	2/1979	Jakob	5,947,636 A	9/1999	Mara
4,172,679 A	10/1979	Wirtgen	5,950,169 A	9/1999	Borghesi et al.
4,226,552 A	10/1980	Moench	5,967,695 A	10/1999	Vural
4,252,487 A	2/1981	Jeppson	5,988,935 A	11/1999	Dillingham
4,300,853 A	11/1981	Jones	5,997,724 A	12/1999	Lukens
4,315,700 A *	2/1982	Heiligttag et al. 404/111	6,000,205 A	12/1999	Joray
4,319,856 A	3/1982	Jeppson	6,049,658 A	4/2000	Schave et al.
4,325,580 A	4/1982	Swisher, Jr.	6,074,128 A	6/2000	Marino
4,335,975 A	6/1982	Schoelkopf	6,117,227 A	9/2000	Kitagawa
4,347,016 A	8/1982	Sindelar	6,139,612 A	10/2000	Kitagawa et al.
4,407,605 A	10/1983	Wirtgen	6,186,700 B1	2/2001	Omann
4,453,856 A	6/1984	Chiostri	6,213,559 B1	4/2001	Stevens
D277,676 S *	2/1985	Neal D15/13	6,214,103 B1	4/2001	Kitagawa
4,534,674 A	8/1985	Cutler	6,220,782 B1	4/2001	Yates
4,545,700 A	10/1985	Yates	6,227,620 B1	5/2001	Page
4,557,626 A	12/1985	McKay	6,227,762 B1	5/2001	Van Velsor
4,561,800 A	12/1985	Hatakenaka	6,290,152 B1	9/2001	Zickell
4,594,022 A	6/1986	Jeppson	6,318,928 B1	11/2001	Swearingen
4,619,550 A	10/1986	Jeppson	6,371,689 B1	4/2002	Wiley
4,678,363 A	7/1987	Serner	6,382,871 B1	5/2002	Ross
4,684,288 A	8/1987	Chapa	6,394,696 B1	5/2002	Culver
4,711,600 A	12/1987	Yates	6,398,453 B1	6/2002	Stegemoeller
4,780,022 A	10/1988	Ohiba	6,416,249 B1	7/2002	Crupi
4,793,730 A	12/1988	Butch	6,422,784 B1	7/2002	Pellegrino et al.
4,793,732 A	12/1988	Jordon	6,439,804 B1	8/2002	Crupi
4,849,020 A	7/1989	Osborne	6,439,806 B1	8/2002	Dillingham
4,929,120 A	5/1990	Wiley et al.	6,497,930 B1	12/2002	Petermeier
4,938,537 A	7/1990	Rife, Jr. et al.	6,551,017 B1	4/2003	Strassman
4,969,772 A	11/1990	Chiba	6,584,414 B1	6/2003	Green et al.
4,969,773 A	11/1990	Heims	6,588,973 B1	7/2003	Omann
4,969,774 A	11/1990	Arseneault et al.	6,599,057 B2	7/2003	Thomas et al.
5,002,426 A	3/1991	Brown et al.	6,626,499 B1	9/2003	Schenk et al.
5,026,206 A	6/1991	O'Connor	6,659,684 B1	12/2003	Goodhart et al.
5,042,973 A	8/1991	Hammarstrand	6,669,467 B2	12/2003	Kieswetter
5,078,540 A	1/1992	Jakob et al.	6,681,761 B2	1/2004	Dillingham
5,092,706 A	3/1992	Bowen et al.	6,682,261 B1	1/2004	Karamihas et al.
5,131,788 A	7/1992	Hulicsko	6,685,465 B2	2/2004	Marquardt
5,148,799 A	9/1992	St-Louis	6,695,530 B2	2/2004	Crupi
5,188,481 A	2/1993	O'Brien	6,764,542 B1	7/2004	Lackey et al.
5,251,999 A	10/1993	McCracken	6,769,836 B2	8/2004	Lloyd
5,263,769 A	11/1993	Pharr et al.	6,802,897 B1	10/2004	Lackey et al.
5,352,275 A	10/1994	Nath et al.	6,805,738 B2	10/2004	Tasaki
5,378,079 A	1/1995	Omann	6,821,052 B2	11/2004	Zurn
5,385,426 A	1/1995	Omann	6,872,072 B2	3/2005	Kieswetter
5,388,893 A	2/1995	Maxwell et al.	6,939,079 B2	9/2005	Lloyd
D357,483 S *	4/1995	Ramsey et al. D15/32	6,988,849 B1	1/2006	Zimmerman
5,405,213 A	4/1995	O'Connor	7,004,675 B2	2/2006	Wayne
5,419,654 A	5/1995	Kleiger	7,008,670 B1	3/2006	Freisthler
5,439,313 A	8/1995	Blaha	7,037,036 B2	5/2006	Strassman
5,472,292 A	12/1995	Wiley	7,037,955 B2	5/2006	Timcik et al.
5,484,224 A	1/1996	Lynch	7,070,244 B2	7/2006	Fischer et al.
5,549,412 A	8/1996	Malone	7,077,601 B2	7/2006	Lloyd
5,556,225 A	9/1996	Marino	7,104,724 B2	9/2006	Terry
5,592,760 A *	1/1997	Kohout 37/403	7,134,806 B2	11/2006	Lazic
5,607,022 A	3/1997	Walker et al.	7,140,693 B2	11/2006	Dubay et al.
5,618,132 A	4/1997	Fogg et al.	7,150,420 B2	12/2006	Packer et al.
5,630,677 A	5/1997	Barroso	7,152,820 B1	12/2006	Baker et al.
5,653,552 A	8/1997	Wiley et al.	7,179,018 B2	2/2007	Hall et al.
5,722,789 A	3/1998	Murray et al.	7,201,536 B1	4/2007	Westbrook et al.
5,749,674 A	5/1998	Wilson, Sr.	7,252,455 B2	8/2007	Larsen
5,752,782 A	5/1998	Hulicsko	7,275,890 B2	10/2007	Thomas et al.
5,755,865 A	5/1998	Lukens	7,287,818 B1	10/2007	Hall et al.
5,766,333 A	6/1998	Lukens	7,297,720 B2	11/2007	Meyers et al.
5,775,438 A *	7/1998	Confoey et al. 172/831	7,387,464 B2	6/2008	Hall et al.
5,791,814 A	8/1998	Wiley	7,387,465 B2	6/2008	Hall et al.
5,795,096 A	8/1998	Culver	7,396,085 B2	7/2008	Hall et al.
5,810,471 A	9/1998	Nath et al.	7,413,375 B2	8/2008	Hall
5,827,008 A	10/1998	Smith et al.	7,448,825 B2	11/2008	Kasahara
			7,455,476 B2	11/2008	Grubba et al.
			7,458,746 B1	12/2008	Zimmerman
			7,470,082 B2	12/2008	Lloyd
			7,473,052 B2	1/2009	Hall et al.

(56)

References Cited

U.S. PATENT DOCUMENTS

7,481,601 B2 1/2009 Gilchrist
 7,503,202 B1 3/2009 Kadrmas
 7,544,011 B2 6/2009 Hall et al.
 7,544,253 B2 6/2009 Kleiger et al.
 7,546,765 B1 6/2009 Janke et al.
 7,549,821 B2 6/2009 Hall et al.
 7,562,563 B2 7/2009 Wee
 7,571,029 B2 8/2009 Dai et al.
 7,578,634 B2 8/2009 Velsor
 7,585,128 B2 9/2009 Hall et al.
 7,588,388 B2 9/2009 Hall et al.
 7,591,607 B2 9/2009 Hall et al.
 7,591,608 B2 9/2009 Hall et al.
 7,641,418 B2 1/2010 Hall et al.
 7,654,772 B1 2/2010 Zimmerman
 7,686,536 B2 3/2010 Hall et al.
 7,717,521 B2 5/2010 Hall et al.
 7,726,905 B2 6/2010 Hall et al.
 7,740,414 B2 6/2010 Hall et al.
 7,748,789 B2* 7/2010 Freeburn 299/39.5
 7,780,373 B2 8/2010 Ustyugov
 7,798,745 B2 9/2010 Hall et al.
 7,845,878 B1 12/2010 Godbersen et al.
 7,887,142 B2 2/2011 Hall et al.
 7,909,532 B2 3/2011 Johnson et al.
 7,927,413 B2 4/2011 Brock et al.
 7,980,278 B2* 7/2011 Labbe et al. 144/231
 8,016,514 B2 9/2011 Broadway, III
 8,016,515 B2* 9/2011 Benedetti et al. 404/94
 8,061,782 B2 11/2011 Hall et al.
 8,079,777 B2 12/2011 Van Velsor
 8,083,434 B1 12/2011 Gorman et al.
 8,465,225 B2* 6/2013 Groulx et al. 404/95
 8,556,536 B2 10/2013 Giles
 2003/0026656 A1 2/2003 Crupi
 2003/0044522 A1 3/2003 Isozaki
 2004/0099654 A1 5/2004 Pais
 2004/0116557 A1 6/2004 Pounds et al.
 2004/0160595 A1 8/2004 Zivkovic et al.
 2004/0240939 A1 12/2004 Hays et al.
 2006/0039756 A1 2/2006 Lemke et al.
 2006/0099031 A1 5/2006 Rathe
 2006/0104716 A1 5/2006 Jones
 2006/0196698 A1* 9/2006 Hall et al. 175/327
 2006/0204332 A1 9/2006 Boudreau
 2006/0243463 A1* 11/2006 Mensch 172/245
 2006/0285923 A1 12/2006 Musil et al.
 2007/0116519 A1 5/2007 Haroldsen
 2007/0172313 A1 7/2007 Lopez
 2007/0220781 A1 9/2007 Altizer et al.
 2007/0240700 A1 10/2007 Bucklew
 2008/0008525 A1 1/2008 Dawson et al.
 2008/0082347 A1 4/2008 Villalobos et al.
 2008/0152427 A1 6/2008 Gillard et al.
 2008/0226392 A1 9/2008 Lloyd
 2008/0247823 A1 10/2008 Will et al.
 2008/0249729 A1 10/2008 Martinez et al.
 2008/0292401 A1 11/2008 Potts
 2009/0052988 A1 2/2009 Belley
 2009/0116905 A1 5/2009 McDonald
 2009/0136295 A1* 5/2009 Boyd 404/81
 2009/0185859 A1* 7/2009 Haroldsen 404/90
 2009/0226254 A1 9/2009 Jones
 2009/0297268 A1 12/2009 Harakawa et al.
 2010/0021233 A1 1/2010 Chandler
 2010/0034586 A1 2/2010 Bailey et al.
 2010/0055304 A1 3/2010 Reinke et al.
 2010/0104363 A1 4/2010 Benedetti
 2010/0203462 A1 8/2010 Gencer
 2010/0209188 A1 8/2010 Wiley
 2010/0310312 A1* 12/2010 Mahler et al. 404/95
 2010/0316445 A1 12/2010 Kasahara et al.
 2010/0322710 A1 12/2010 Ryan
 2010/0322713 A1 12/2010 Hegg
 2011/0070024 A1 3/2011 Kleiger

2011/0070025 A1* 3/2011 Kleiger 404/81
 2011/0085860 A1* 4/2011 Gregerson 404/107
 2011/0120443 A1 5/2011 Stothert et al.
 2011/0163589 A1 7/2011 Cipriani et al.
 2011/0250016 A1* 10/2011 Giles 404/75
 2011/0274487 A1 11/2011 Sylvester
 2011/0298188 A1 12/2011 Haubrich et al.
 2012/0027513 A1 2/2012 Wang
 2012/0253612 A1* 10/2012 Byrne 701/50
 2013/0216309 A1* 8/2013 Giles 404/118

FOREIGN PATENT DOCUMENTS

CA 1063410 10/1979
 CA 1065843 11/1979
 CA 1081516 7/1980
 CA 1093365 1/1981
 CA 1134344 10/1982
 CA 1169318 6/1984
 CA 1214673 12/1986
 CA 1225857 8/1987
 CA 1226159 9/1987
 CA 1235935 5/1988
 CA 1237315 5/1988
 CA 2002058 5/1991
 CA 1300417 5/1992
 CA 1304251 6/1992
 CA 2087879 7/1993
 CA 1328334 4/1994
 CA 2021648 8/1998
 CA 2061682 3/1999
 CA 2251284 3/1999
 CA 2366009 9/2000
 CA 2287547 4/2001
 CA 2428367 5/2002
 CA 2334297 8/2002
 CA 2131429 11/2003
 CA 2409493 4/2004
 CA 2647593 10/2007
 CA 2705374 5/2009
 CA 2252250 7/2009
 CA 2575074 9/2009
 CA 2721990 5/2011
 EP 560021 9/1996
 EP 810276 12/1997
 EP 985768 3/2000
 EP 854235 3/2005
 EP 1052334 3/2005
 EP 1668185 6/2006
 EP 1337711 10/2007
 EP 2111436 10/2009
 EP 2213799 8/2010
 EP 2050875 6/2011
 EP 2350390 8/2011
 EP 2350391 8/2011
 EP 2374934 10/2011
 WO 99/41456 8/1999
 WO 00/12820 3/2000
 WO 00/15910 3/2000
 WO 01/81894 11/2001
 WO 02/14610 2/2002
 WO 03/050359 6/2003
 WO 2006/003466 1/2006
 WO 2006/008187 1/2006
 WO 2007/000102 1/2007
 WO 2007/145576 12/2007
 WO 2008/068877 6/2008
 WO 2010/031530 3/2010
 WO 2010/100401 9/2010
 WO 2010/130143 11/2010
 WO 2010/121579 12/2010
 WO 2011/034731 3/2011
 WO 2011/069191 6/2011
 WO 2011/086722 7/2011

OTHER PUBLICATIONS

U.S. Appl. No. 13/742,928, filed Jan. 16, 2013, Cronin et al.
 U.S. Appl. No. 13/777,633, filed Feb. 26, 2013, Garland et al.

(56)

References Cited

OTHER PUBLICATIONS

U.S. Appl. No. 13/931,076, filed Jun. 28, 2013, Garland et al.
U.S. Appl. No. 14/049,682, filed Oct. 9, 2013, Giles.
"Asphalt Processor" HEATWURX™, Heatwurx.com, date unknown, 1 page.
"Rehab Oil Rejuvenator" HEATWURX™, Heatwurx.com, date unknown, 1 page.
"RH Series Self Powered Cold Planer" ZANETIS Power Attachments, date unknown, 2 pages.
"Seamless Asphalt Repair" HEATWURX™, Heatwurx.com, date unknown, 4 pages.
Official Action for U.S. Appl. No. 12/651,358, mailed Sep. 13, 2011, 7 pages Restriction Requirement.

Official Action for U.S. Appl. No. 12/651,358, mailed Oct. 24, 2011, 10 pages.
Official Action for U.S. Appl. No. 12/651,358, mailed Jun. 4, 2012, 13 pages.
Official Action for U.S. Appl. No. 12/651,358, mailed May 16, 2013, 12 pages.
Official Action for U.S. Appl. No. 13/167,888, mailed Sep. 7, 2012, 6 pages Restriction Requirement.
Official Action for U.S. Appl. No. 13/167,888, mailed Dec. 4, 2012, 8 pages.
Notice of Allowance for U.S. Appl. No. 13/167,888, mailed Aug. 22, 2013, 9 pages.
Notice of Allowance for U.S. Appl. No. 13/848,455, mailed Aug. 20, 2013, 7 pages.

* cited by examiner

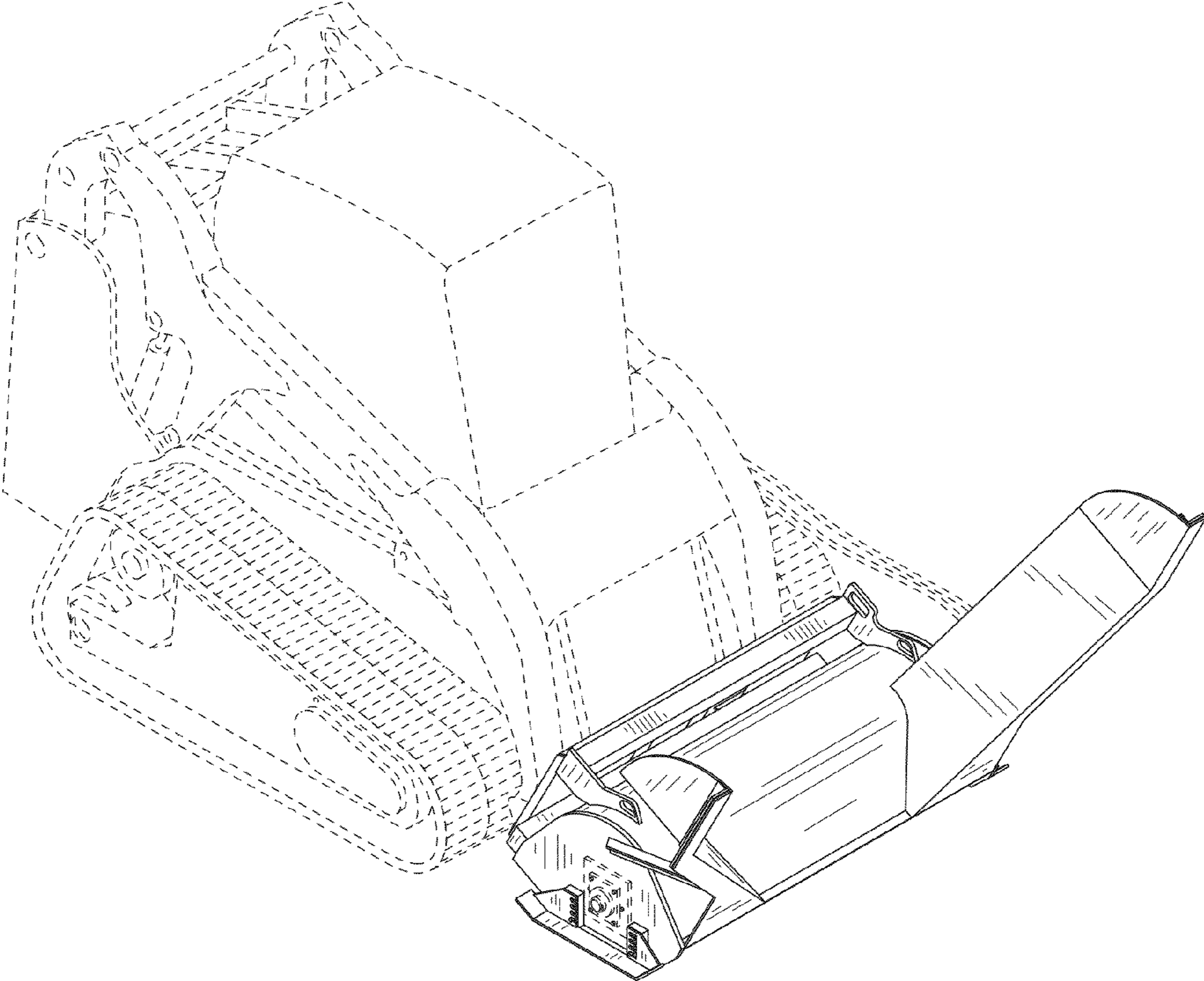


FIG.1

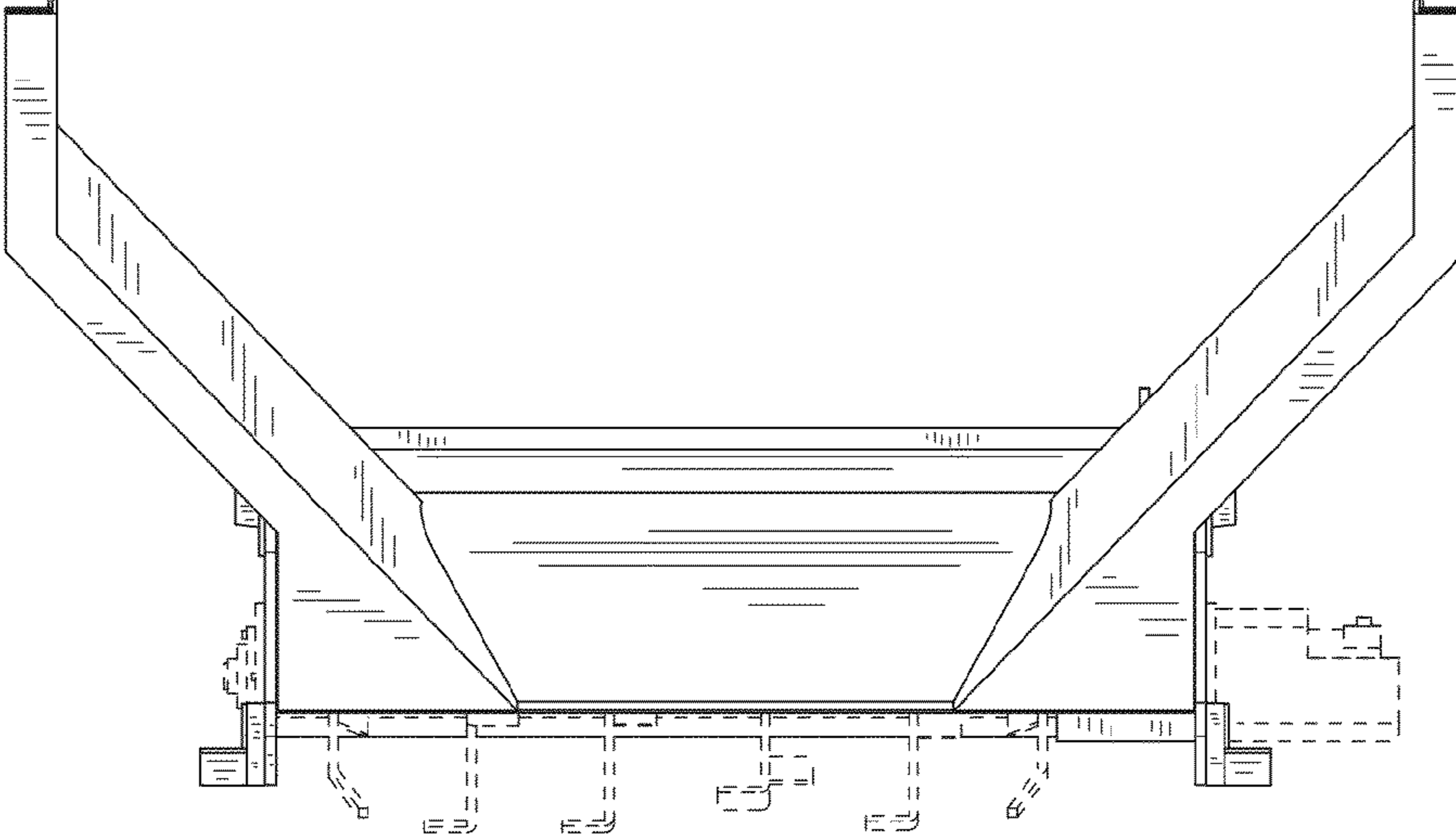


FIG. 2

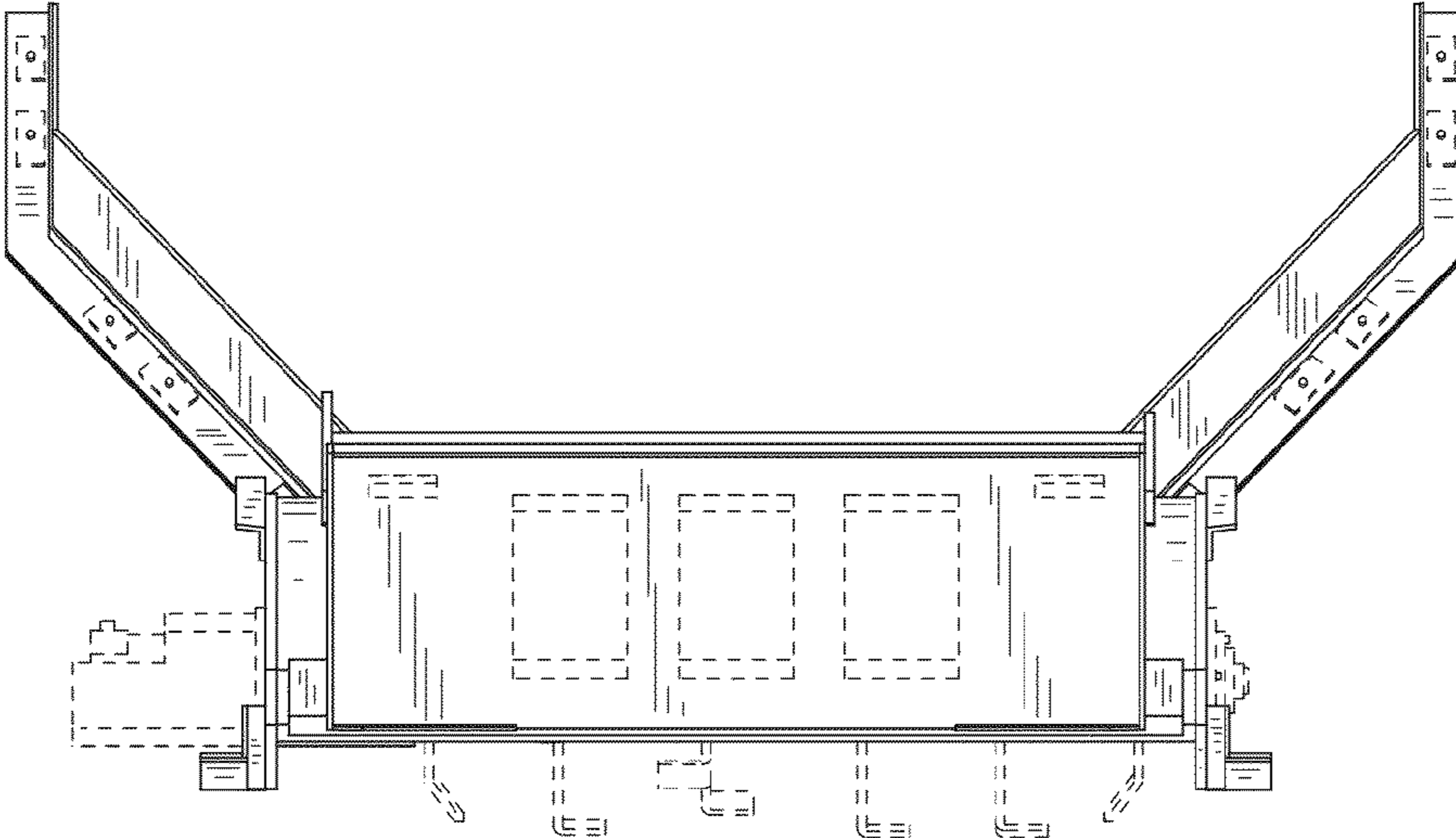


FIG. 3

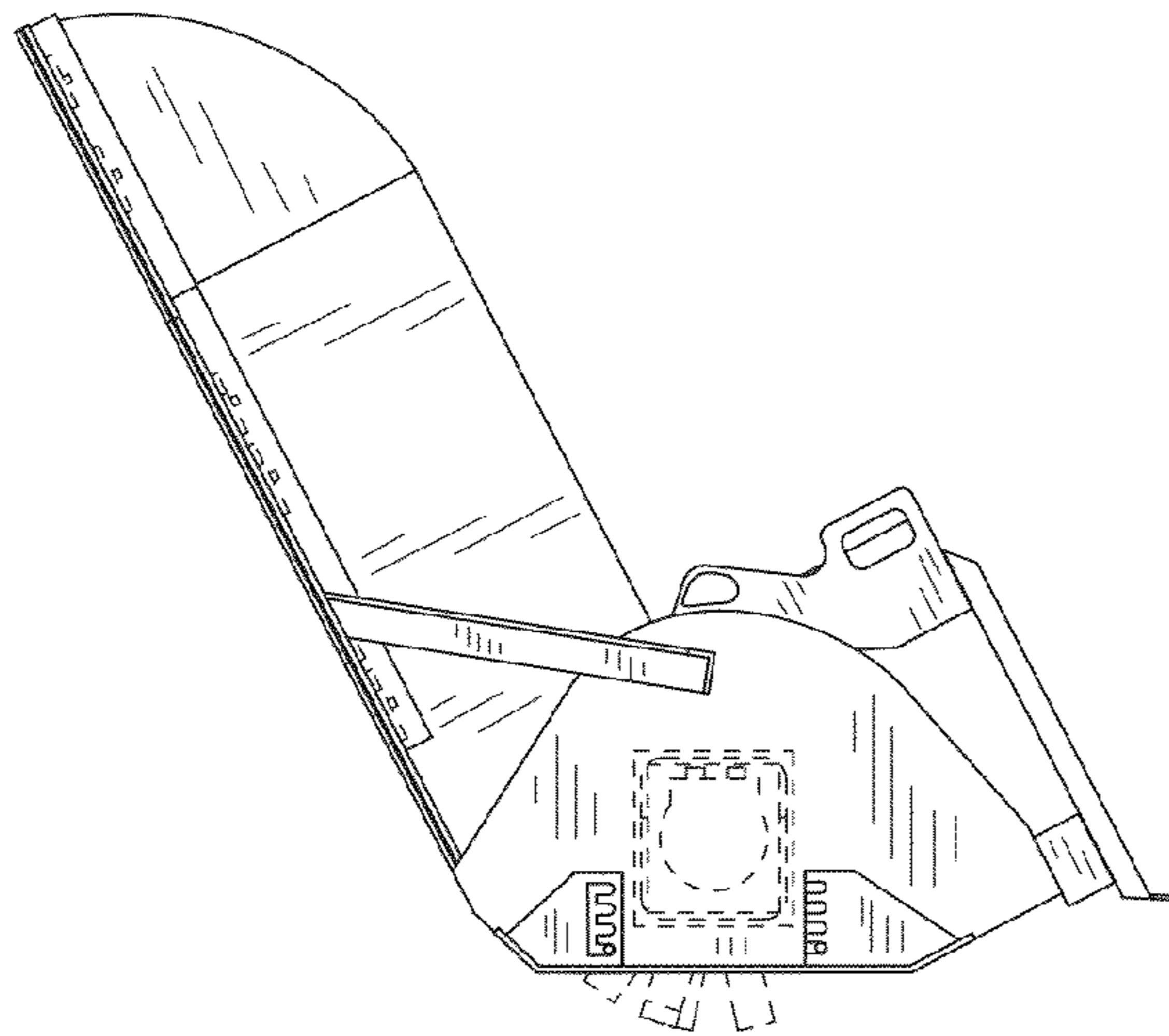


FIG. 4

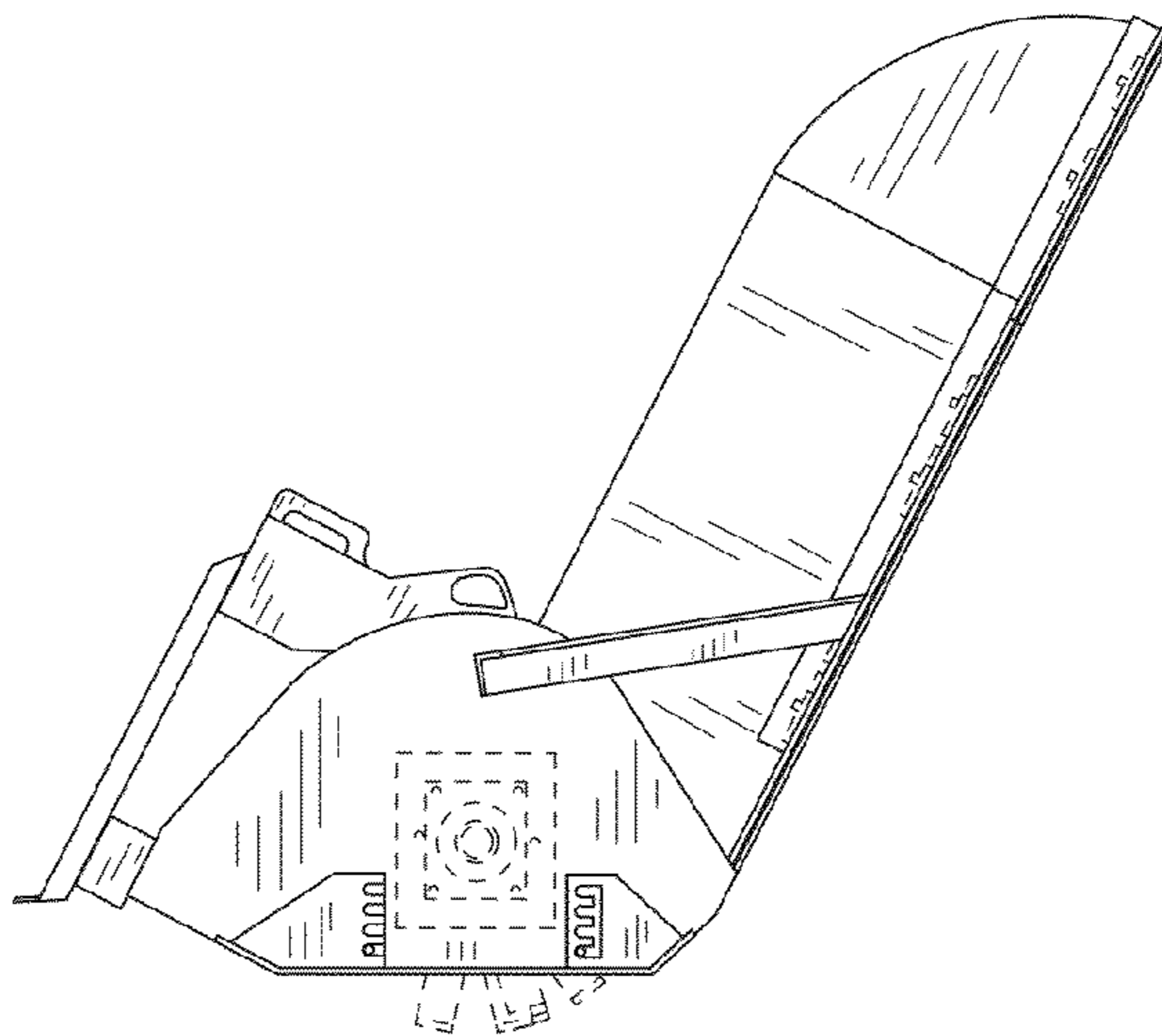


FIG. 5

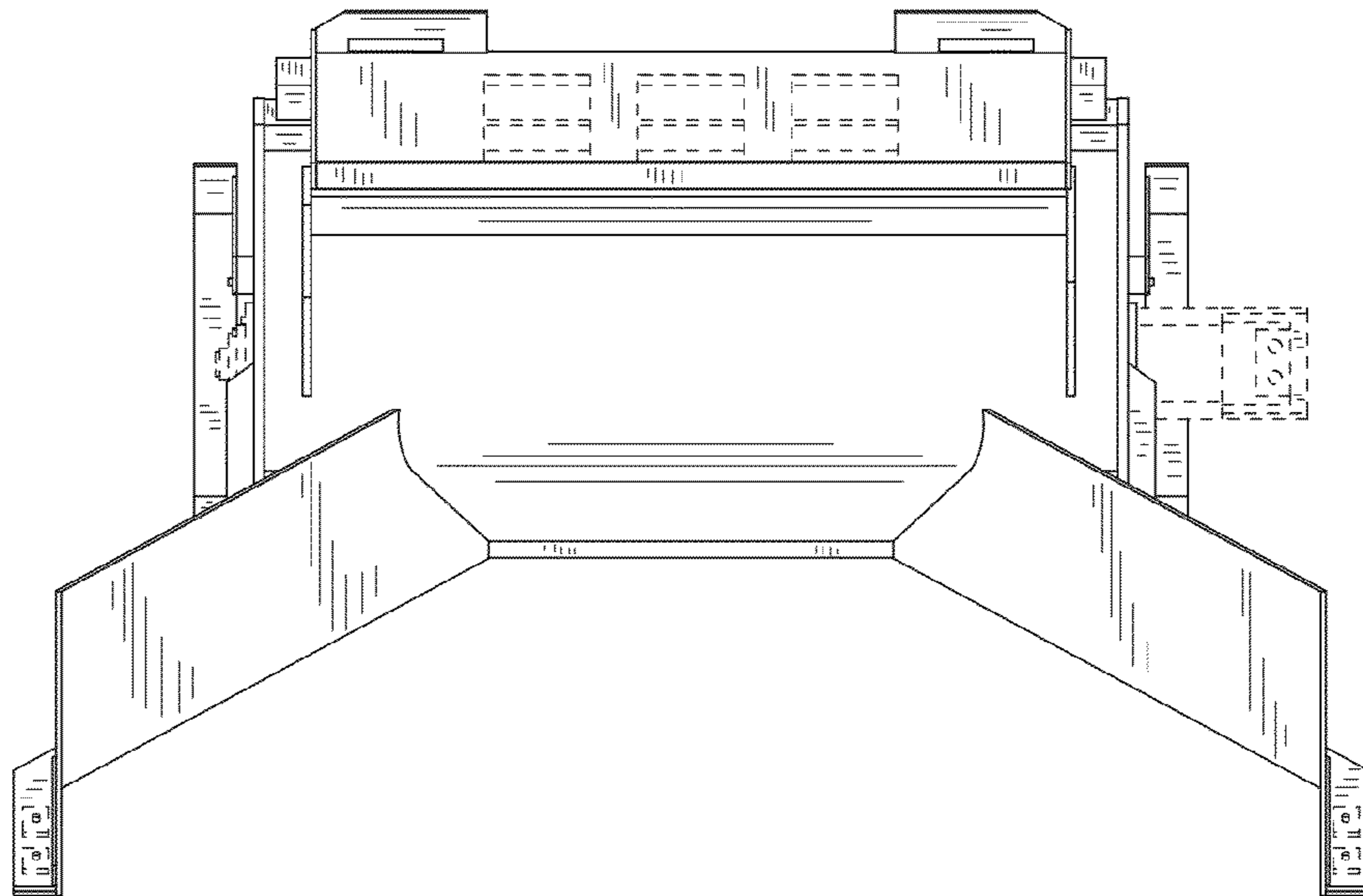


FIG. 6

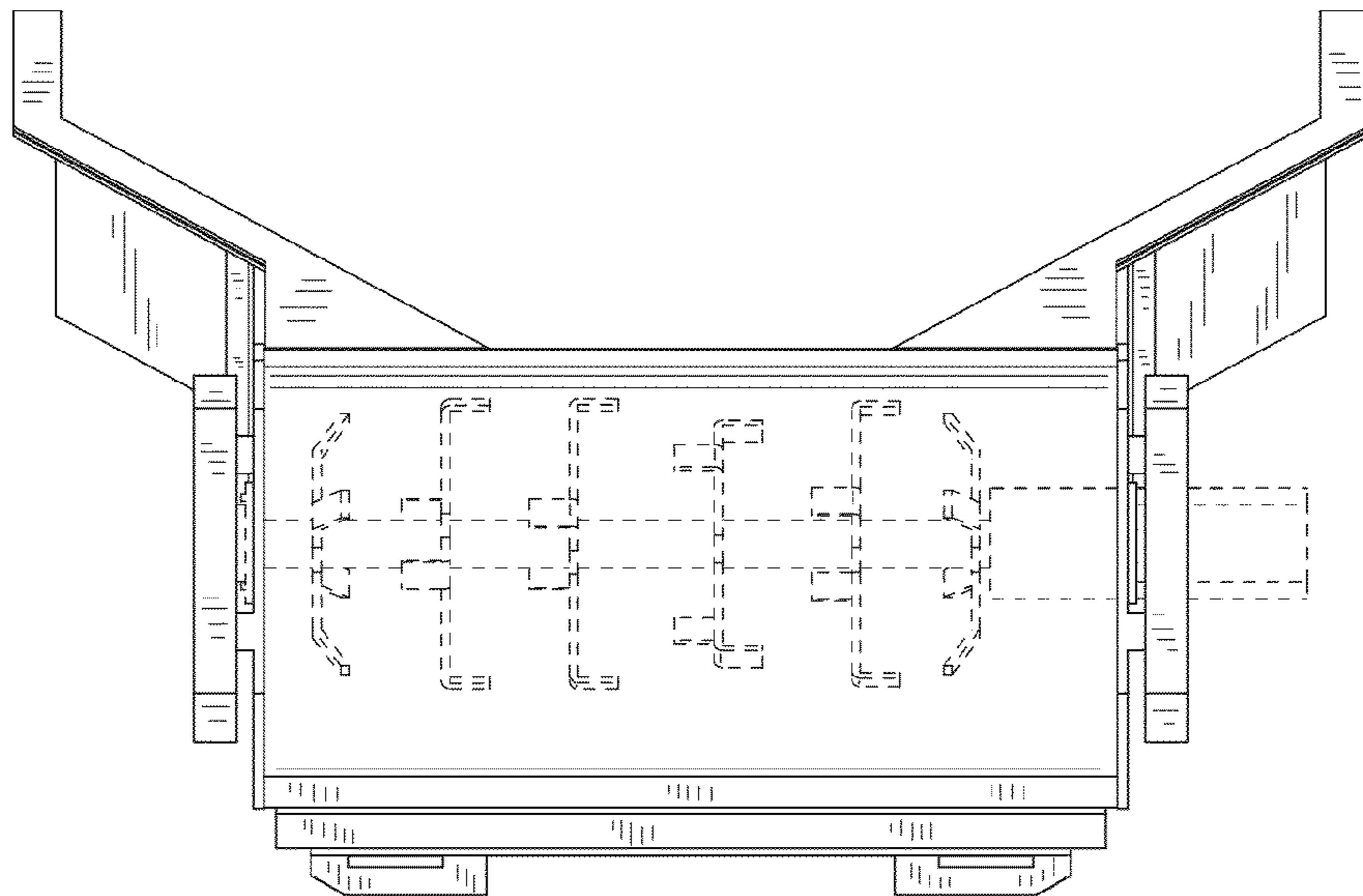


FIG. 7

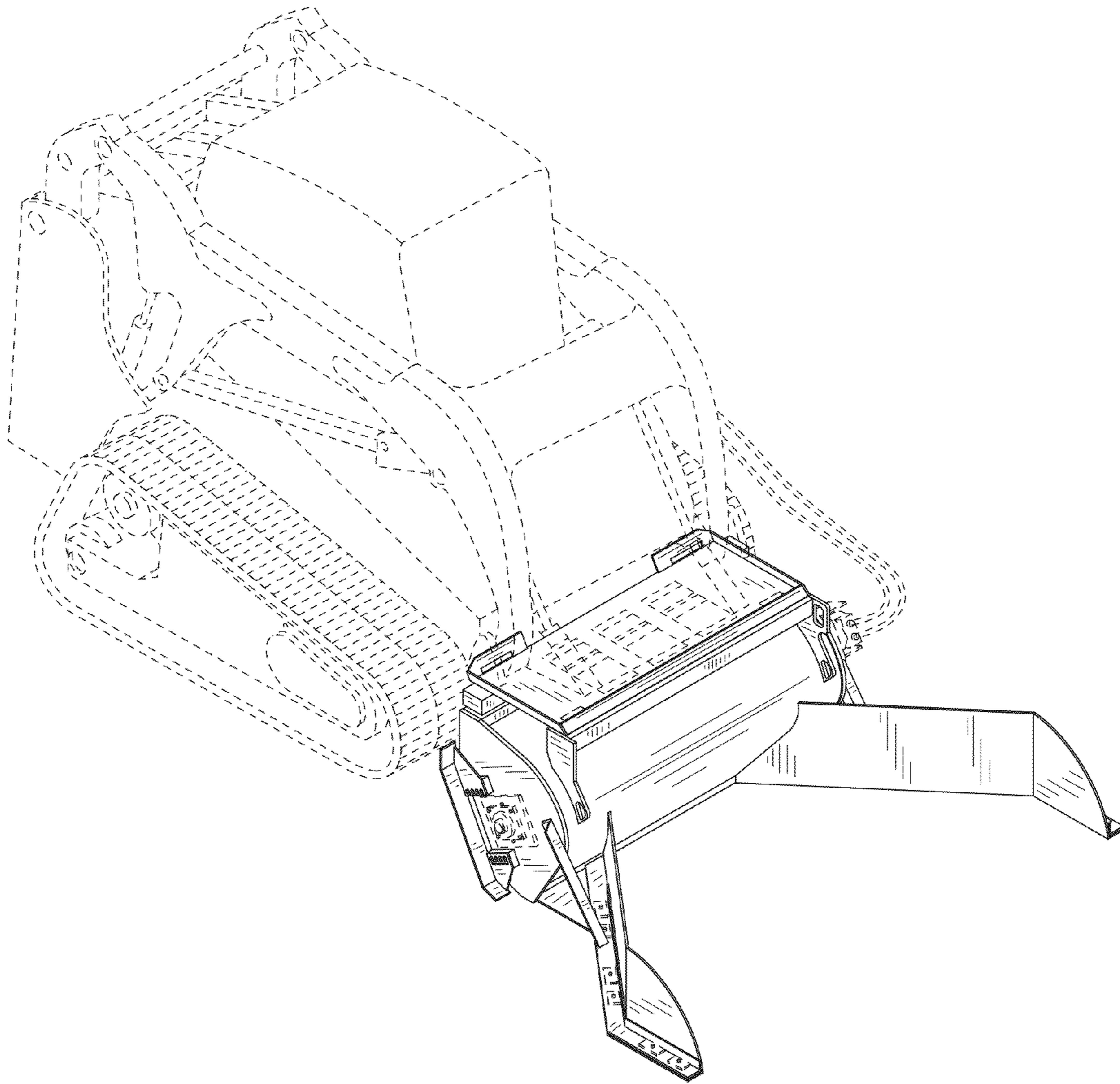


FIG.8