



US00D700631S

(12) **United States Design Patent**  
**Novacek et al.**

(10) **Patent No.:** **US D700,631 S**  
(45) **Date of Patent:** **\*\* Mar. 4, 2014**

- (54) **EXHAUST SYSTEM**
- (71) Applicant: **CNH America LLC**, New Holland, PA (US)
- (72) Inventors: **Jason Keith Novacek**, West Fargo, ND (US); **Daniel John Zurn**, Horace, ND (US); **Keith James Ward**, Racine, WI (US); **Jay Michael Larson**, Fargo, ND (US); **David Larry Tveito**, West Fargo, ND (US); **Russell Victor Stoltman**, Argusville, ND (US)
- (73) Assignee: **CNH America LLC**, New Holland, PA (US)

4,614,086	A	9/1986	Koch	
4,766,983	A	8/1988	Tamba et al.	
4,909,347	A *	3/1990	Wang	181/272
D318,840	S *	8/1991	Miles, Jr.	D12/194
D345,167	S *	3/1994	Lee	D15/17
D363,908	S *	11/1995	Maag	D12/194
5,689,953	A	11/1997	Yamashita et al.	
D392,928	S *	3/1998	Erion et al.	D12/194
5,739,484	A *	4/1998	Jones	181/264
D467,846	S *	12/2002	McGee	D12/194
6,983,728	B1	1/2006	Banks, Jr. et al.	
D537,396	S *	2/2007	Drew et al.	D12/194
D551,607	S *	9/2007	LaRussa	D12/194
D577,321	S *	9/2008	Shimokawa	D12/194
D583,287	S *	12/2008	Shimokawa	D12/194

(Continued)

(\*\*) Term: **14 Years**

(21) Appl. No.: **29/436,389**

(22) Filed: **Nov. 5, 2012**

(51) **LOC (10) Cl.** ..... **15-03**

(52) **U.S. Cl.**  
USPC ..... **D15/28; D15/17; D15/5**

(58) **Field of Classification Search**  
USPC ..... D15/17, 5, 28, 10, 11, 13-16, 30, 31;  
D12/194, 173; 181/204, 264, 270, 277,  
181/240, 269; 56/13.3, 13.4, 15.8, 15.9,  
56/320.1; 180/89.1, 89.12, 900, 69.2,  
180/68.1, 69.1; 72/369; 138/122, 129  
See application file for complete search history.

(56) **References Cited**

**U.S. PATENT DOCUMENTS**

1,709,217	A *	4/1929	Hamilton	181/269
D128,184	S *	7/1941	Welch	D12/194
D179,611	S *	1/1957	Powers et al.	D12/194
D247,624	S *	3/1978	Emundts et al.	D15/23
4,109,751	A *	8/1978	Kabele	181/247

**FOREIGN PATENT DOCUMENTS**

DE	3541336	A1	5/1987
JP	2011230638	A	11/2011

*Primary Examiner* — Mark Goodwin

(74) *Attorney, Agent, or Firm* — Sue C. Watson

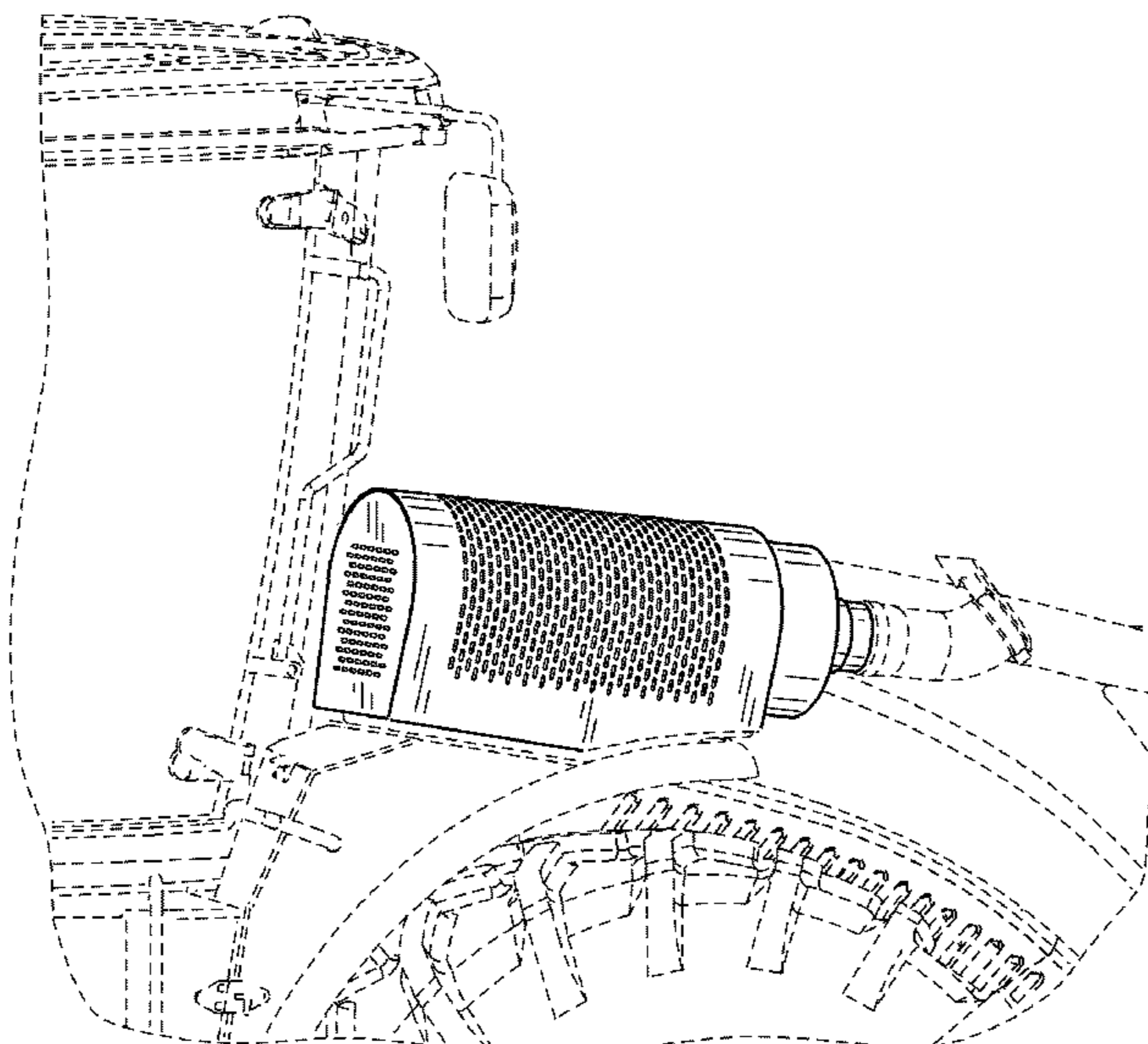
(57) **CLAIM**

The ornamental design for an exhaust system, substantially as shown and described.

**DESCRIPTION**

FIG. 1 is a perspective view of an exhaust system showing our new design, the broken line showing of an agricultural vehicle forms no part of the claimed design;  
 FIG. 2 is a perspective view of the exhaust system;  
 FIG. 3 is a right side elevation view of the exhaust system;  
 FIG. 4 is a left side elevation view of the exhaust system;  
 FIG. 5 is a top view of the exhaust system;  
 FIG. 6 is a bottom view of the exhaust system;  
 FIG. 7 is a back view of the exhaust system; and,  
 FIG. 8 is a front view of the exhaust system.

**1 Claim, 7 Drawing Sheets**



(56)

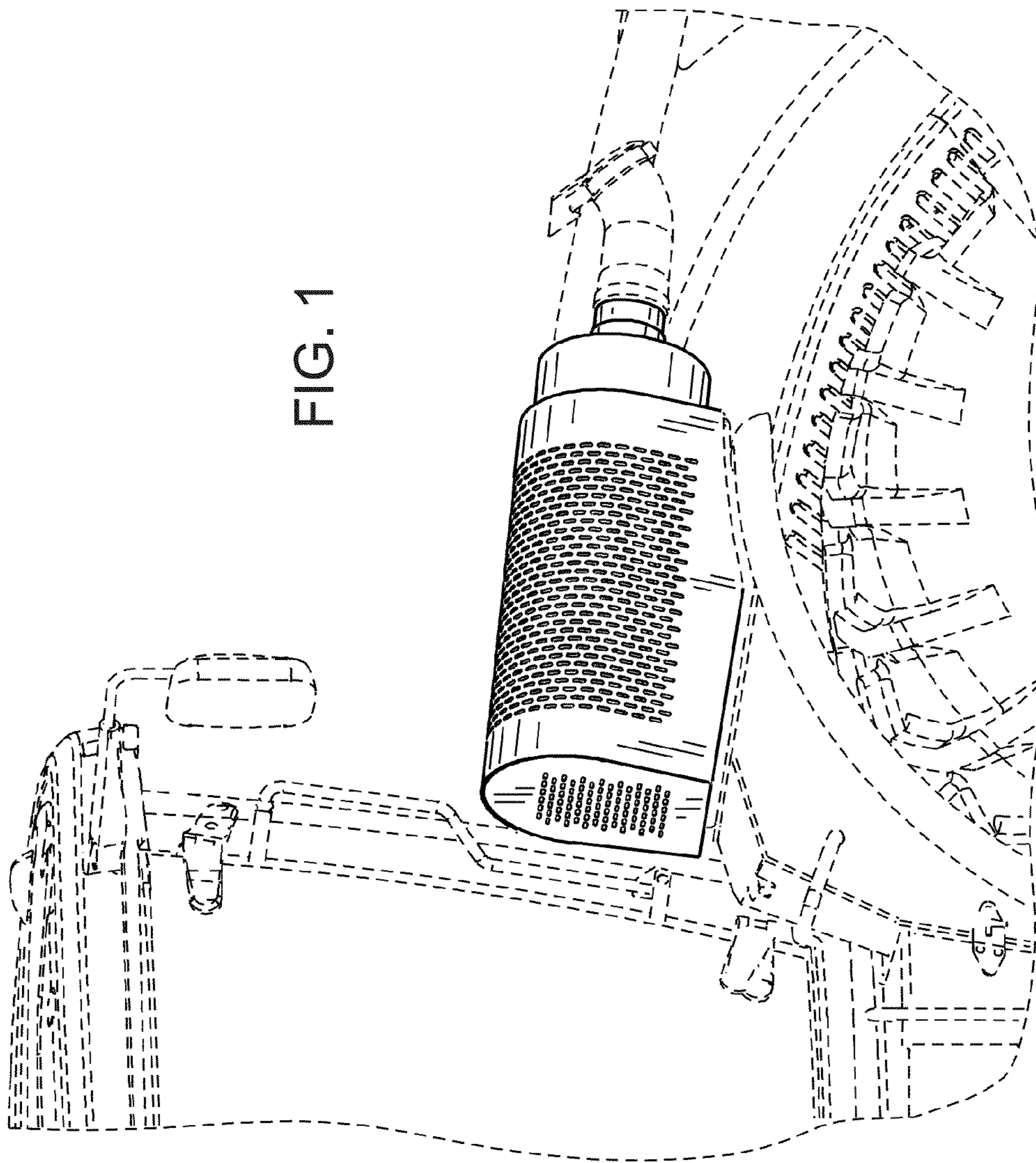
**References Cited**

U.S. PATENT DOCUMENTS

D596,649 S \* 7/2009 Yan et al. .... D15/5  
D614,103 S \* 4/2010 Biddulph et al. .... D12/194  
D627,284 S \* 11/2010 Faszler et al. .... D12/194

D666,543 S \* 9/2012 Lai ..... D12/194  
D671,562 S \* 11/2012 Adamson et al. .... D15/23  
D682,321 S \* 5/2013 Adamson et al. .... D15/23  
2012/0124968 A1 5/2012 Tamamidis

\* cited by examiner





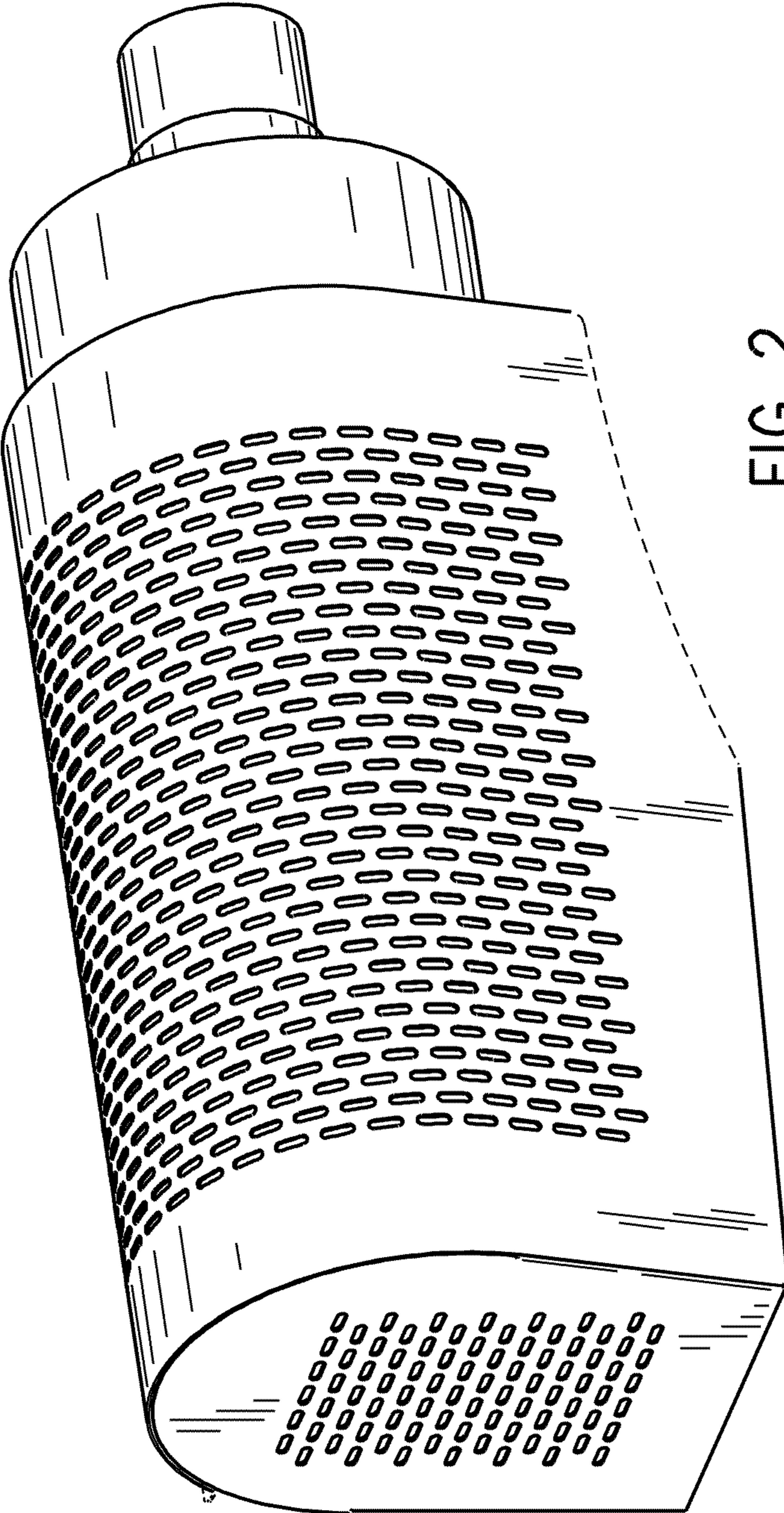


FIG. 2

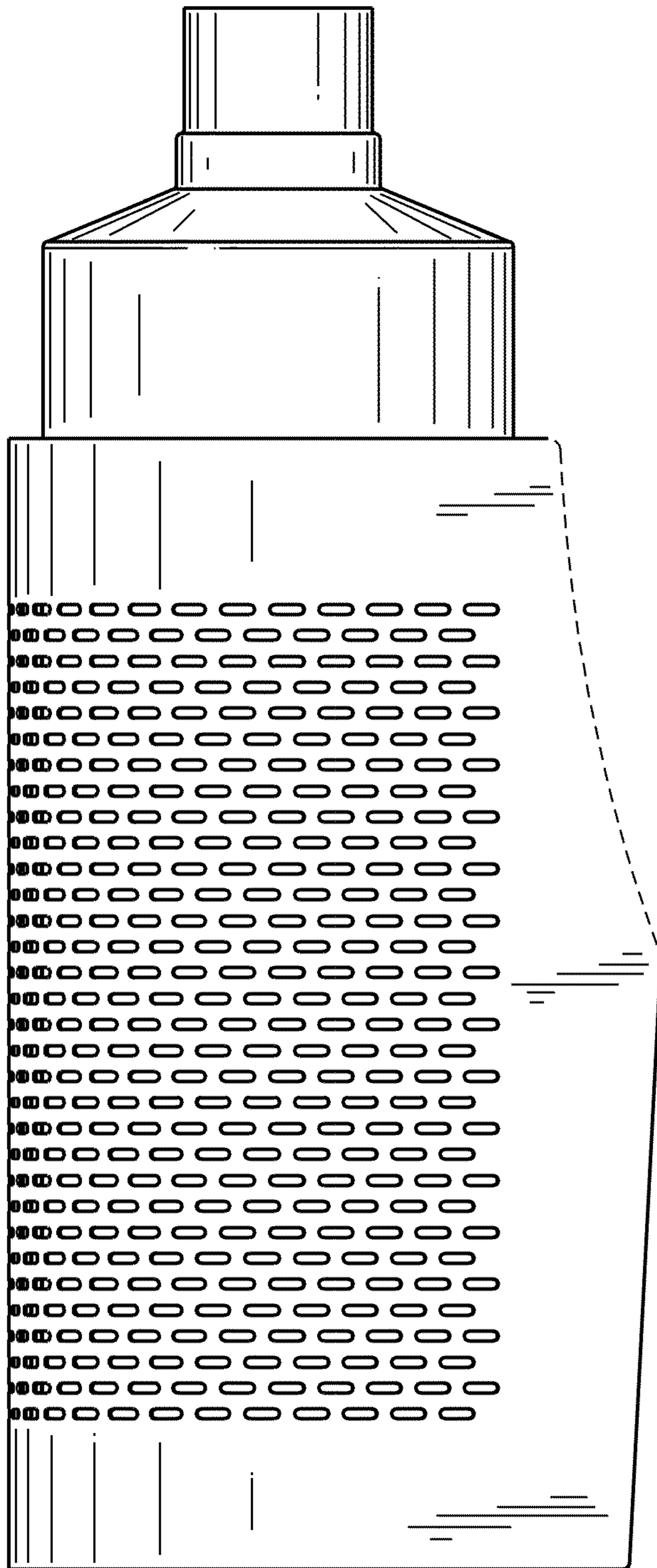


FIG. 3

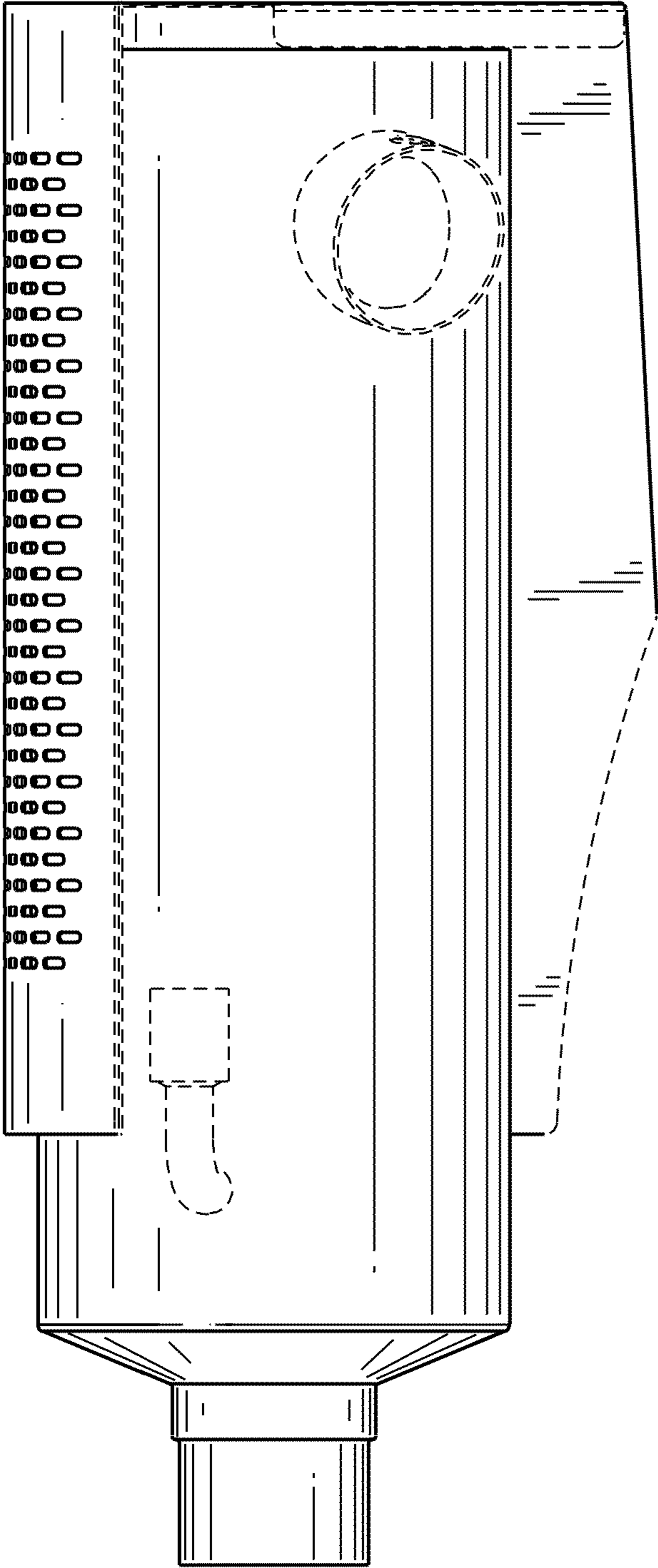


FIG. 4

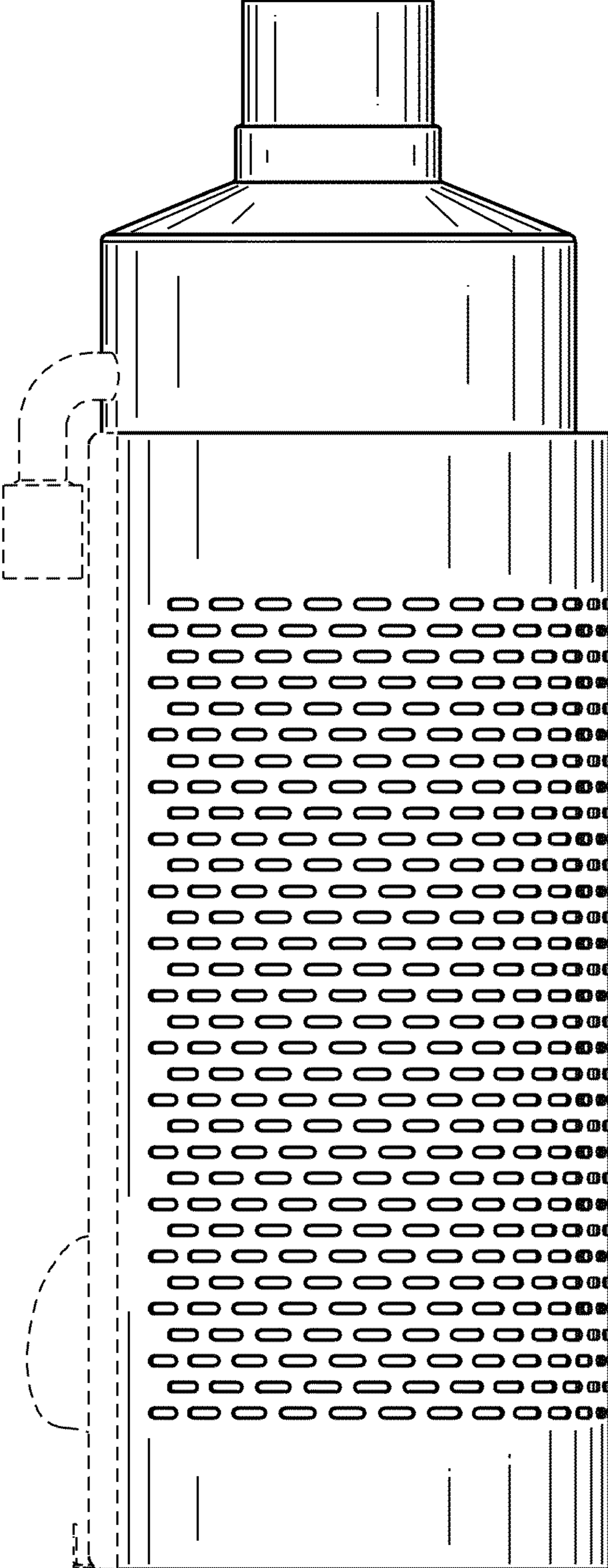


FIG. 5

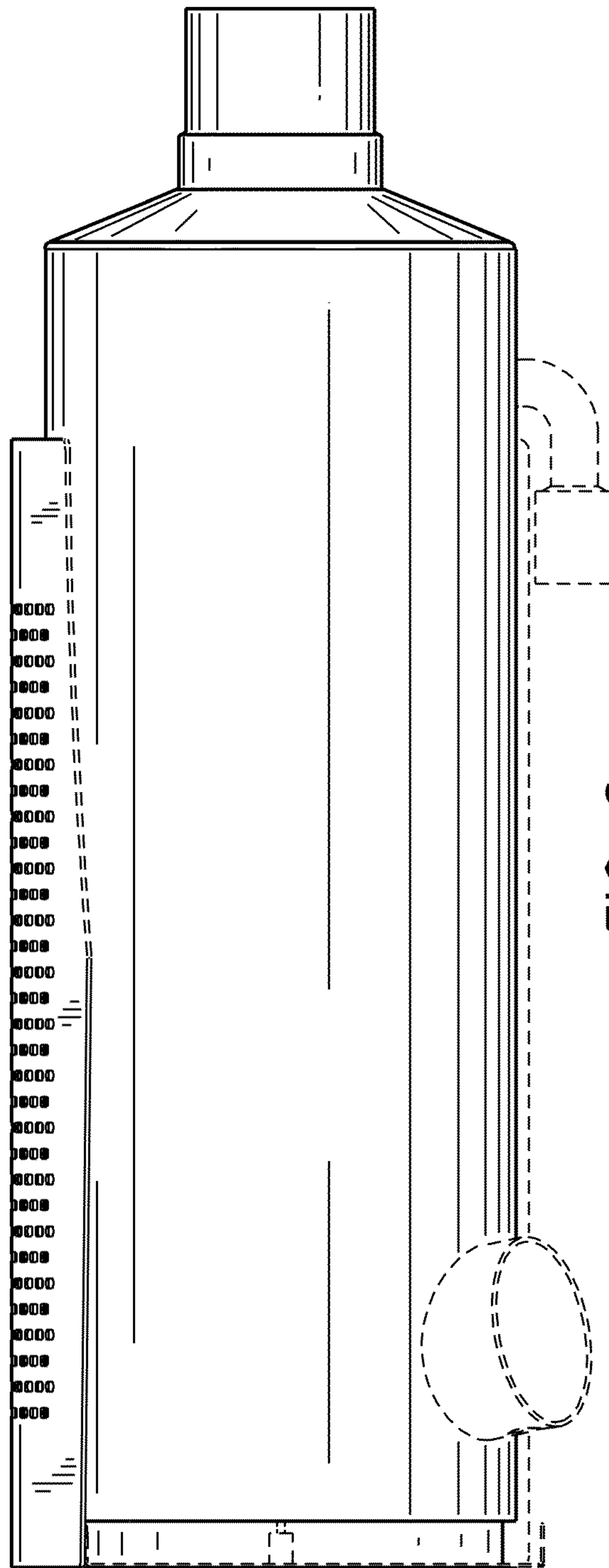


FIG. 6



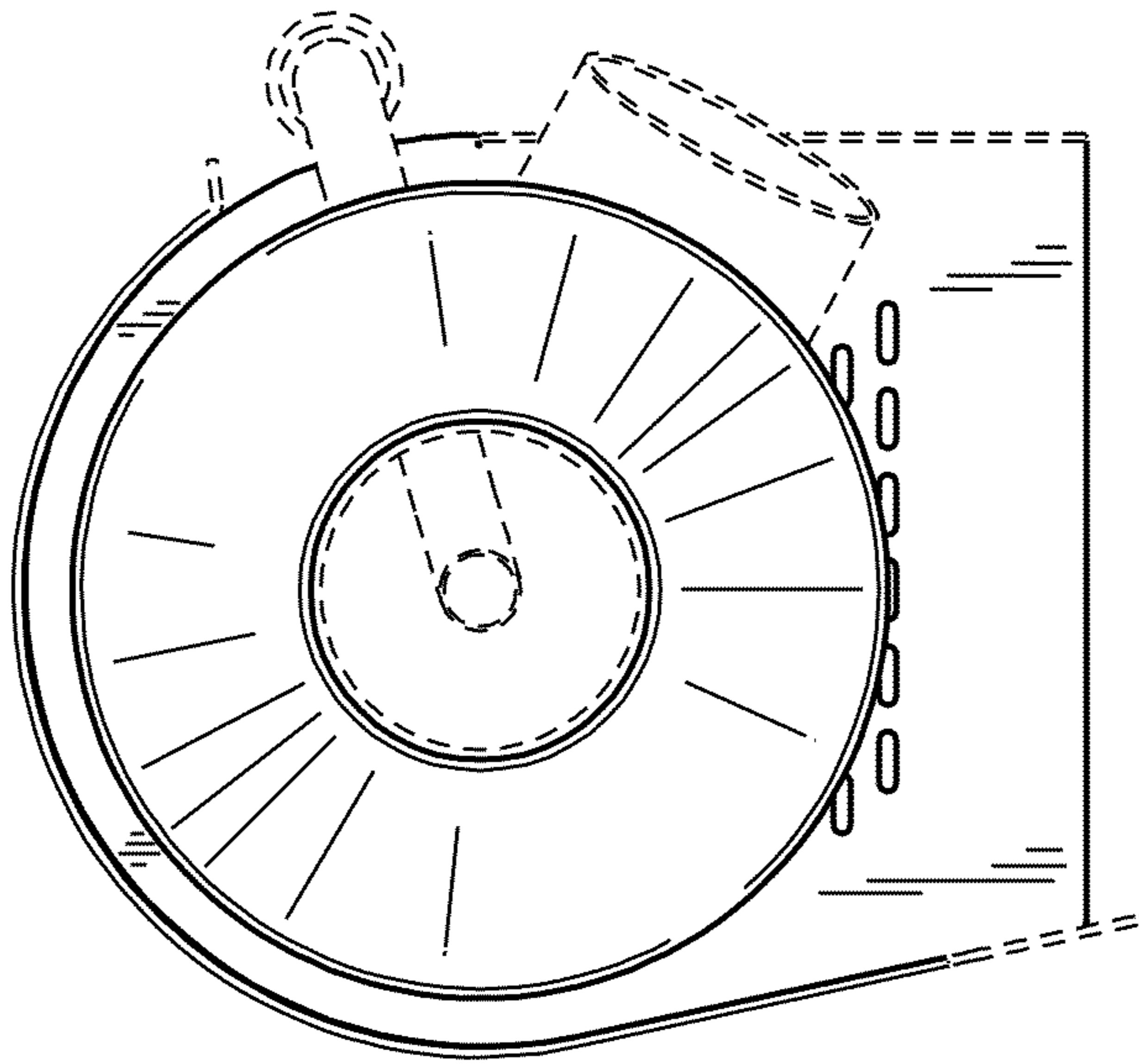


FIG. 7

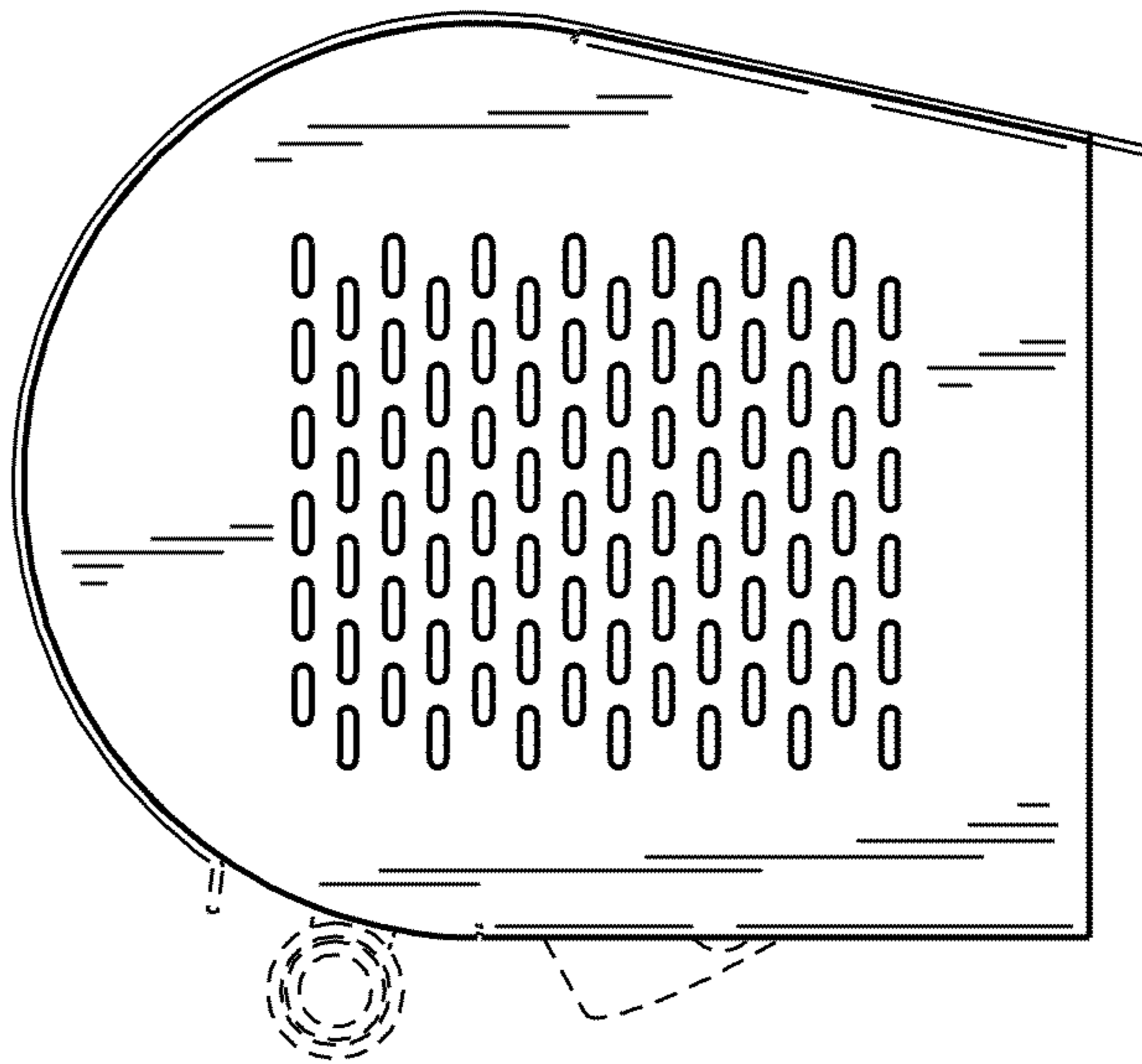


FIG. 8