

US00D700630S

(12) **United States Design Patent**
Davis

(10) **Patent No.:** **US D700,630 S**
(45) **Date of Patent:** **** Mar. 4, 2014**

- (54) **GRASS CHUTE BLOCKER**
- (71) Applicant: **Ken Davis**, Lebanon, TN (US)
- (72) Inventor: **Ken Davis**, Lebanon, TN (US)
- (**) Term: **14 Years**
- (21) Appl. No.: **29/442,545**
- (22) Filed: **Mar. 20, 2013**
- (51) **LOC (10) Cl.** **15-03**
- (52) **U.S. Cl.**
USPC **D15/17**
- (58) **Field of Classification Search**
USPC D15/14, 15, 17; 56/320.2, 320.1, 202,
56/17.4, DIG. 24
See application file for complete search history.

7,650,739	B2 *	1/2010	Butler et al.	56/320.2
2005/0144924	A1 *	7/2005	Osborne	56/320.2
2007/0261380	A1 *	11/2007	Bledsoe	56/320.2
2009/0301050	A1 *	12/2009	Kohler	56/320.2
2012/0067019	A1 *	3/2012	Luking	56/320.2

* cited by examiner

Primary Examiner — Mark Goodwin

(74) *Attorney, Agent, or Firm* — Paul R. Martin

(57) **CLAIM**

The ornamental design for a grass chute blocker, as shown and described.

DESCRIPTION

FIG. 1 is a front perspective view of a grass chute blocker showing my new design attached to the environmental broken line showing of a mower housing.

FIG. 2 is an enlarged perspective view thereof with the handle portion shown broken away for indeterminate length.

FIG. 3 is a back elevational view thereof.

FIG. 4 is a front elevational view thereof.

FIG. 5 is a side elevational view thereof.

FIG. 6 is an opposite side elevational view thereof.

FIG. 7 is a top plan view thereof; and,

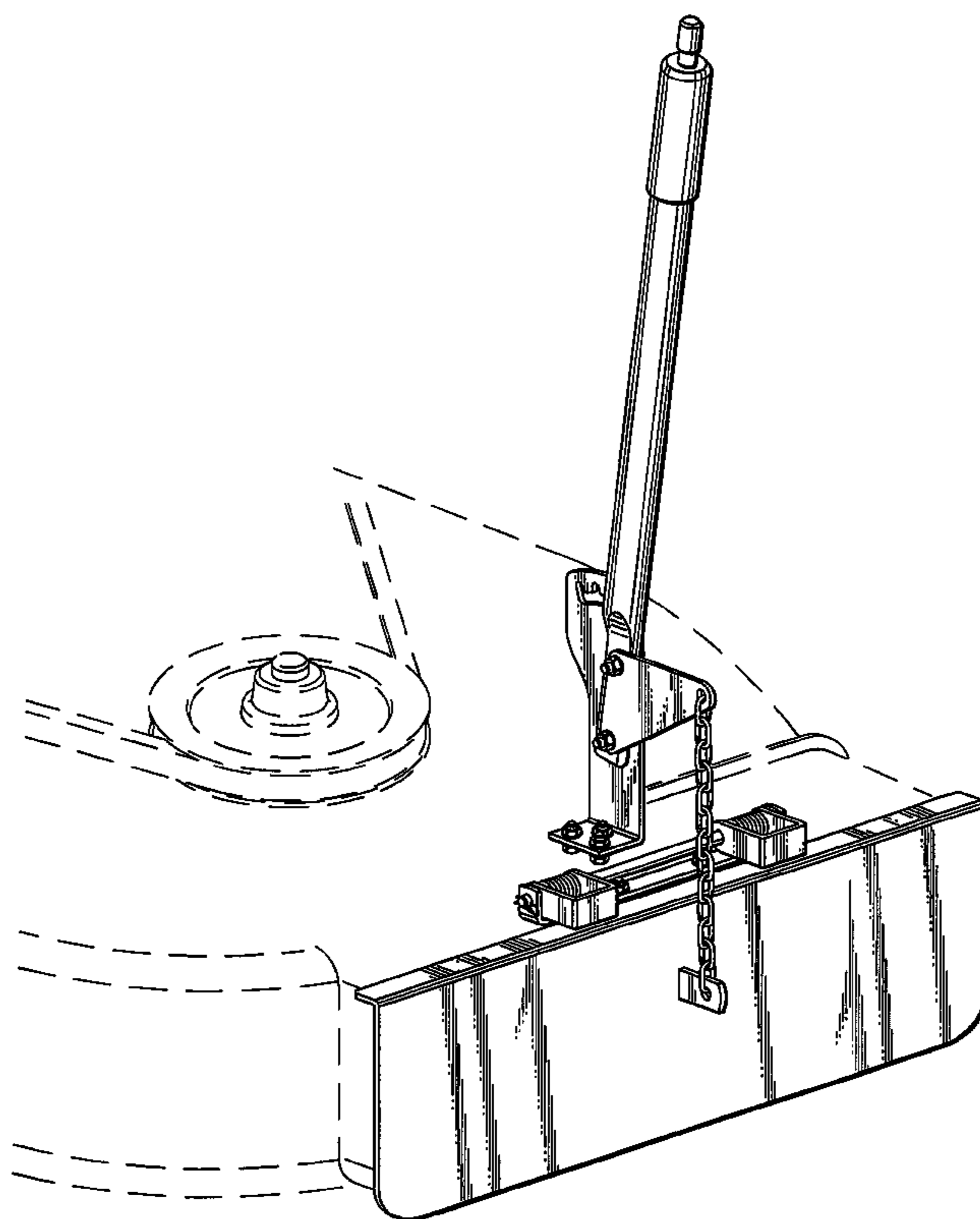
FIG. 8 is a bottom plan view thereof.

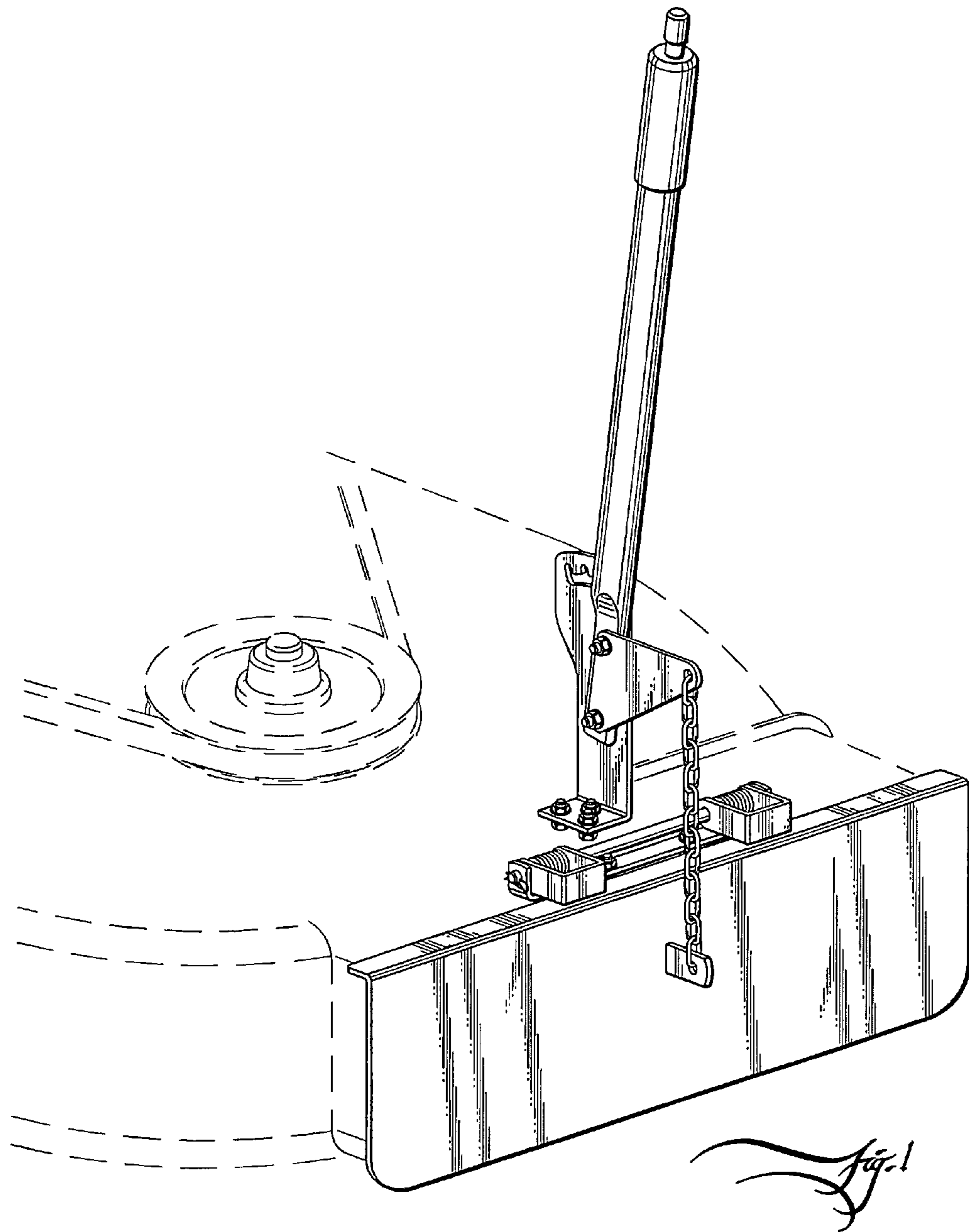
The broken line figure in FIG. 1, depicting a section of the housing of a rotary mower, is an environmental element, and is not part of my new design.

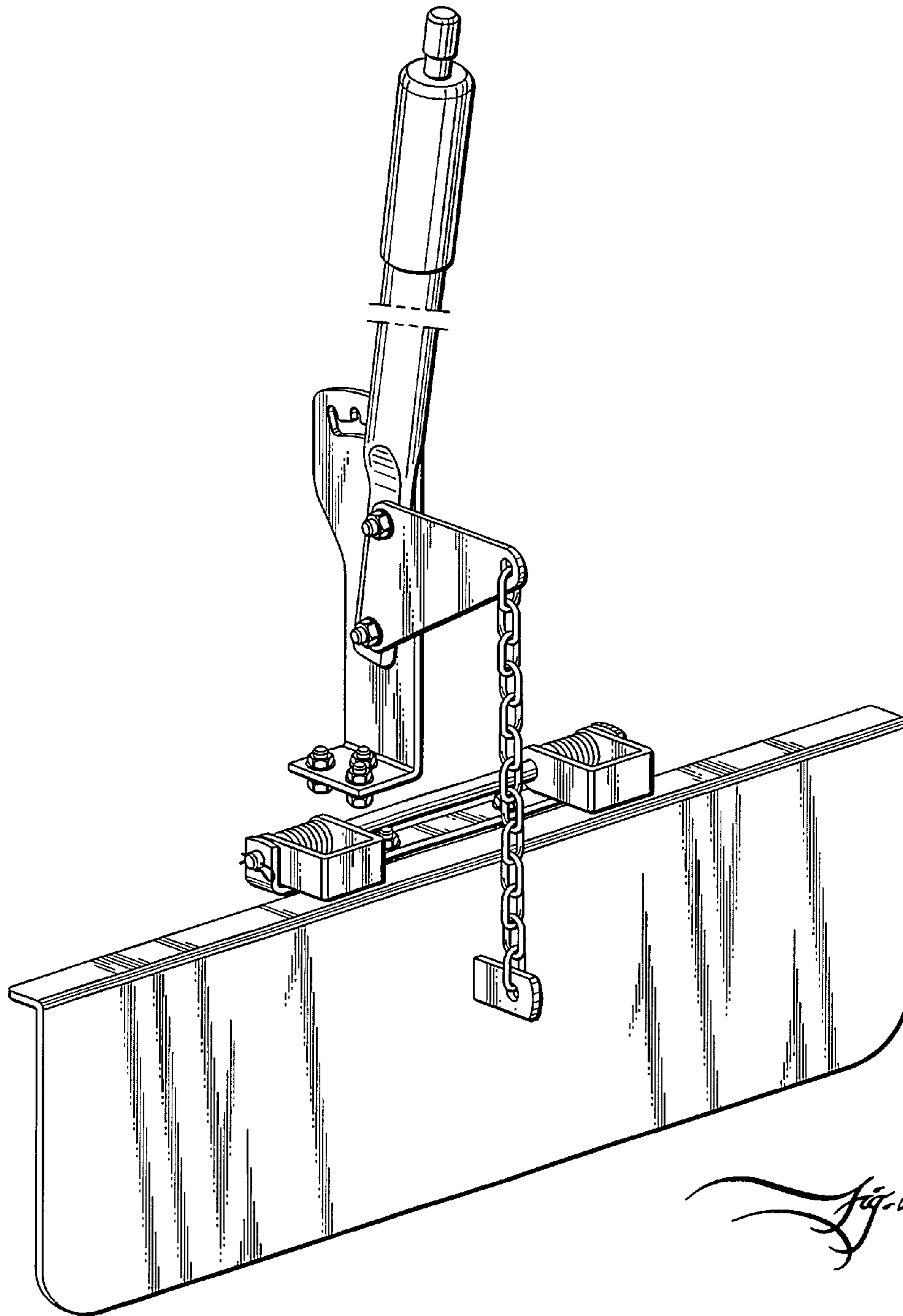
(56) **References Cited**
U.S. PATENT DOCUMENTS

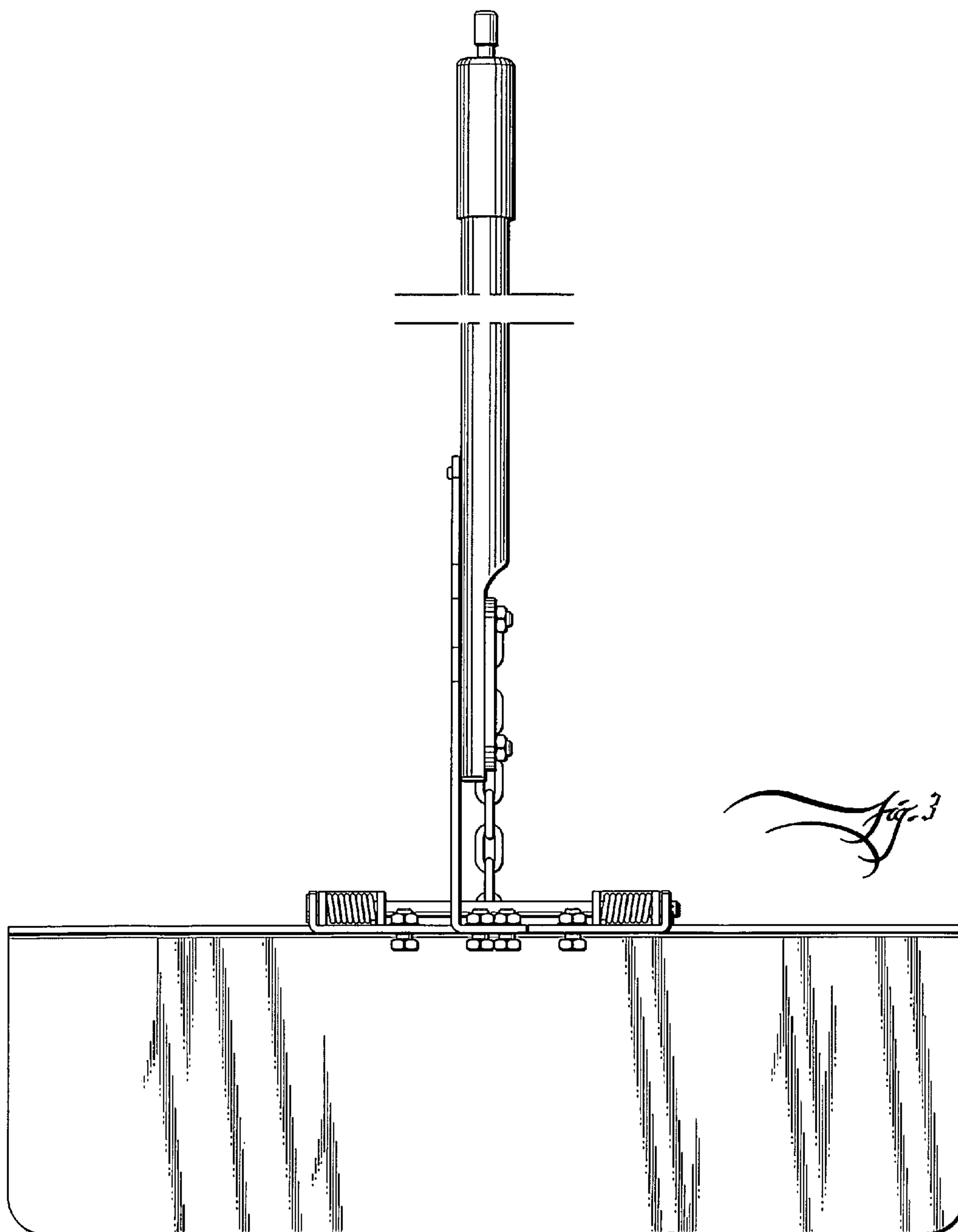
197,560	A	11/1877	Meehan	
5,826,417	A	10/1998	Evans	
6,751,937	B2	6/2004	Kobayashi et al.	
6,854,253	B2 *	2/2005	Dickey 56/320.2
6,971,224	B1 *	12/2005	Hancock 56/320.2
7,337,602	B1 *	3/2008	Butler et al. 56/320.2
7,448,195	B2	11/2008	Kohler	
7,526,909	B1 *	5/2009	Procter et al. 56/320.2
7,594,379	B2 *	9/2009	Nicholson et al. 56/320.2
7,624,562	B2 *	12/2009	Kallevig et al. 56/320.2

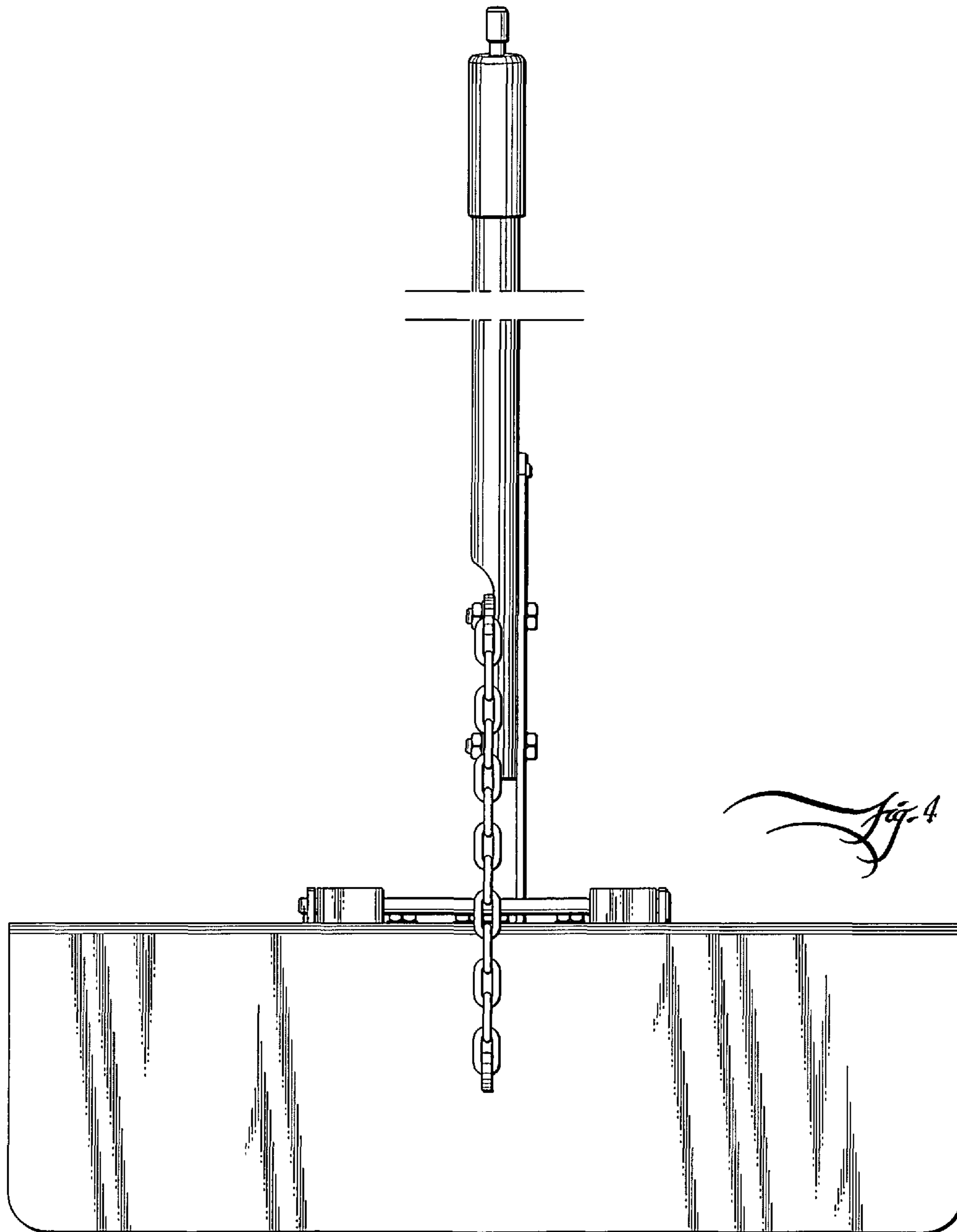
1 Claim, 7 Drawing Sheets











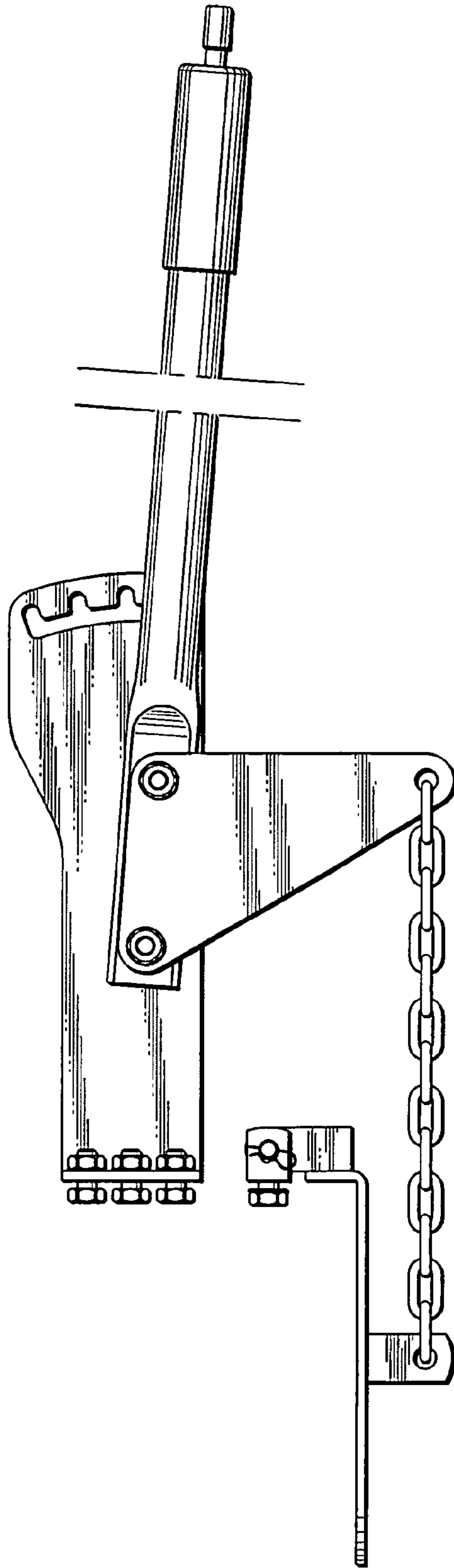
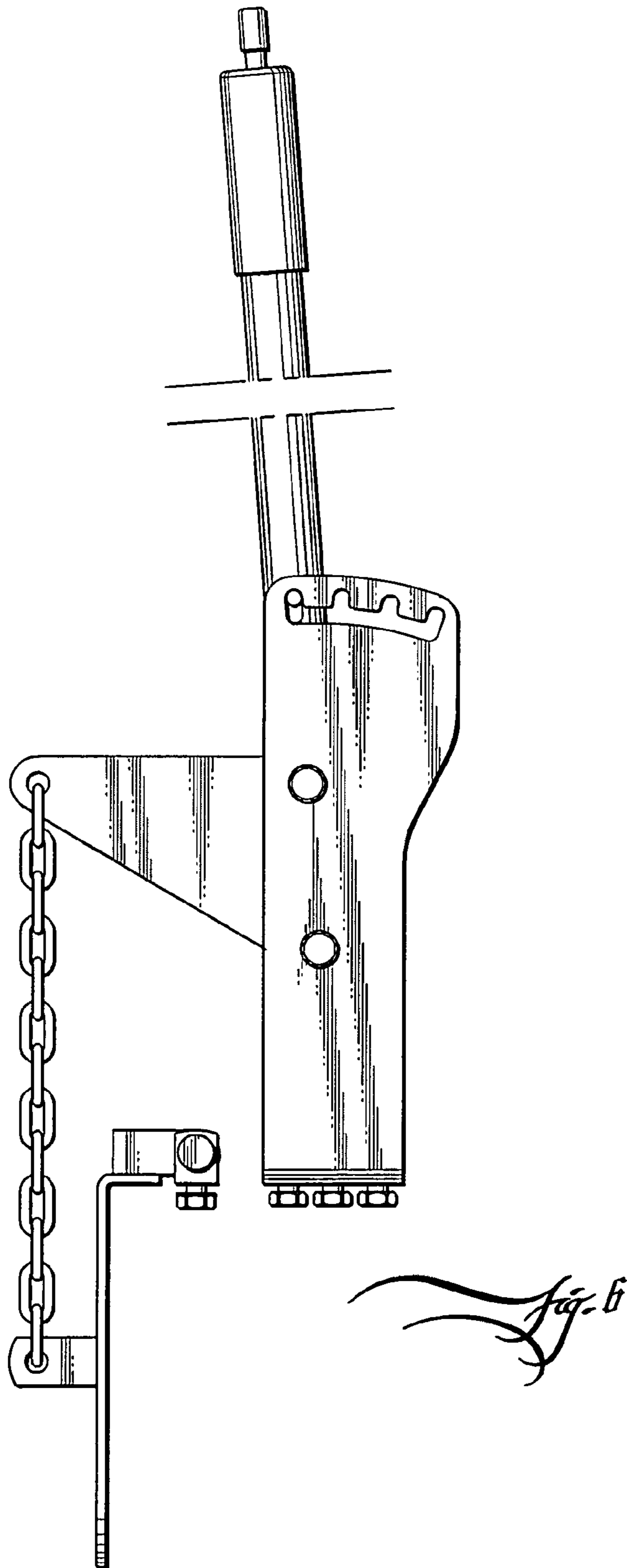


Fig. 5



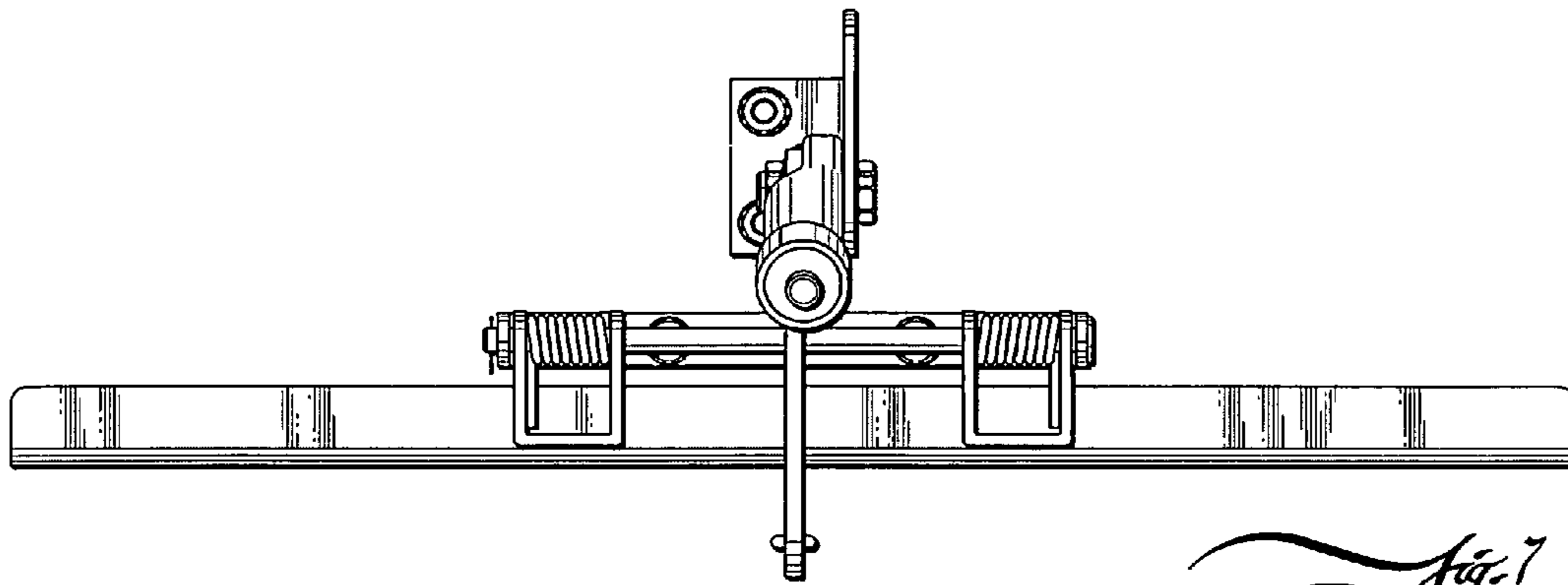


Fig. 7

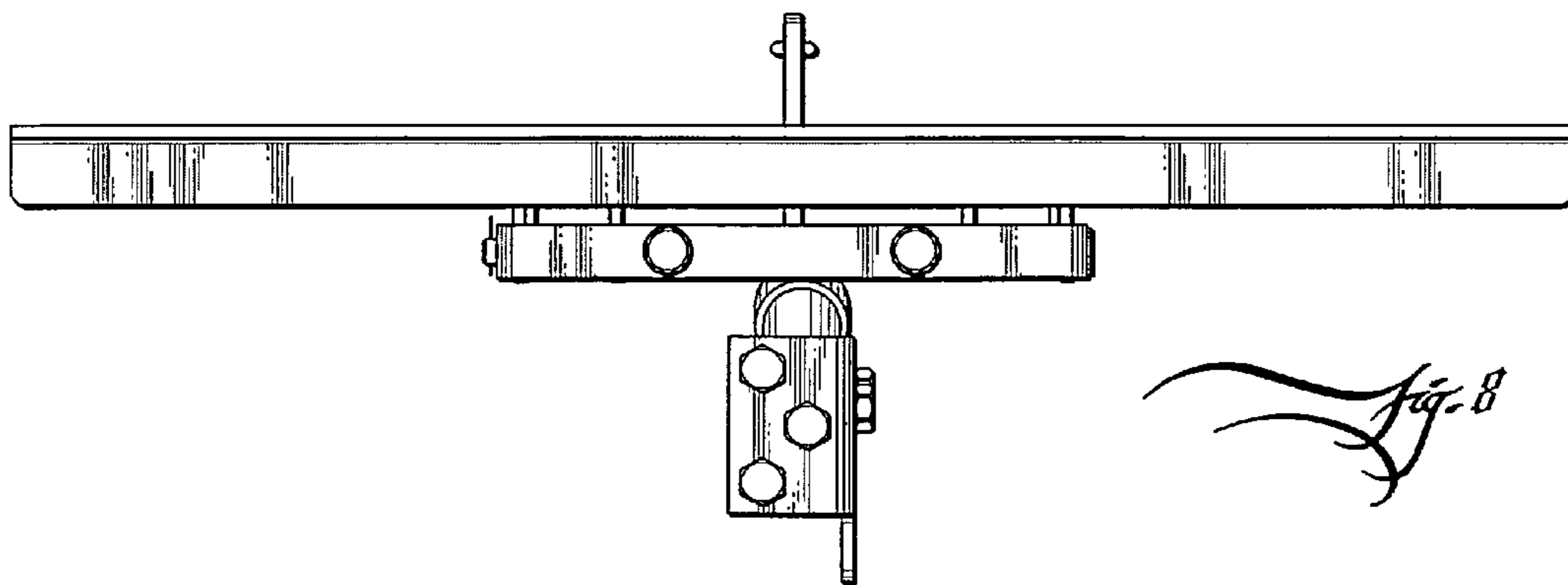


Fig. 8