



US00D700629S

(12) **United States Design Patent**
Fujiki

(10) **Patent No.:** **US D700,629 S**
(45) **Date of Patent:** **** Mar. 4, 2014**

(54) **SNOW PLOW**

(71) Applicant: **Honda Motor Co., Ltd.**, Tokyo (JP)

(72) Inventor: **Yuko Fujiki**, Saitama (JP)

(73) Assignee: **Honda Motor Co., Ltd.**, Tokyo (JP)

(**) Term: **14 Years**

(21) Appl. No.: **29/464,141**

(22) Filed: **Aug. 13, 2013**

(30) **Foreign Application Priority Data**

Feb. 15, 2013 (JP) 2013-003087

(51) **LOC (10) Cl.** **15-03**

(52) **U.S. Cl.**
USPC **D15/11; D15/12**

(58) **Field of Classification Search**
USPC D15/11, 12; 198/676; 37/251, 242-250,
37/254, 257-260, 227, 214, 266, 252;
180/272; 192/224.2; 172/754, 765,
172/771, 772.5, 816
See application file for complete search history.

(56) **References Cited**

U.S. PATENT DOCUMENTS

D241,762 S * 10/1976 Hinklin D15/12
D269,092 S * 5/1983 Davies, III D15/12
D270,057 S * 8/1983 Nakamura D15/12
D305,125 S * 12/1989 Hinklin D15/11
D307,912 S 5/1990 Yoshida et al.

D314,775 S * 2/1991 Yoshida et al. D15/11
5,758,436 A * 6/1998 Harms 37/249
5,966,846 A * 10/1999 Harms et al. 37/249
D448,389 S 9/2001 Katoh et al.
D603,428 S * 11/2009 Tashiro et al. D15/12
D642,596 S * 8/2011 Hinklin et al. D15/12

FOREIGN PATENT DOCUMENTS

JP 1056710 S 12/1999

* cited by examiner

Primary Examiner — Mark Goodwin

(74) *Attorney, Agent, or Firm* — Westerman, Hattori,
Daniels & Adrian, LLP

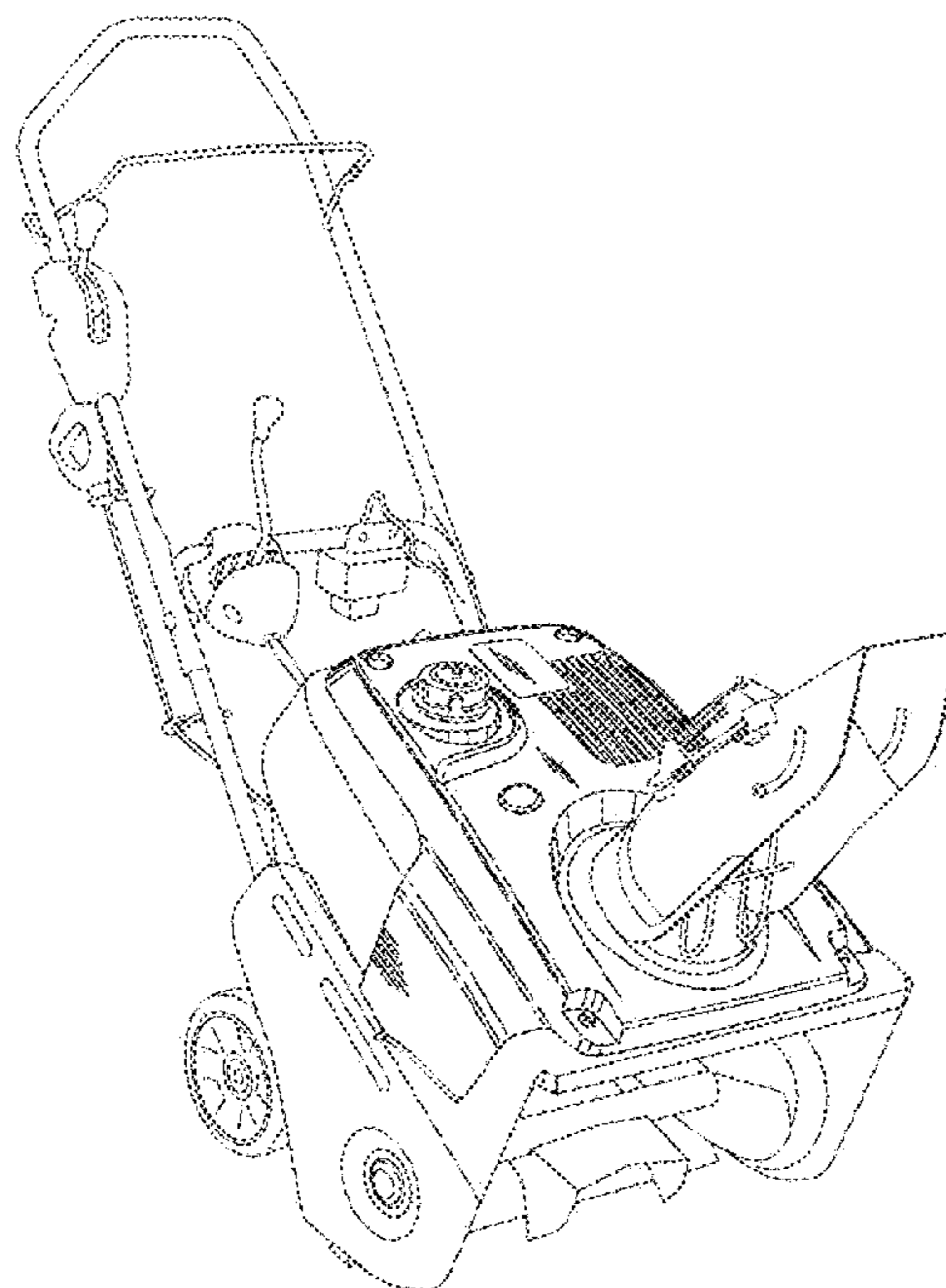
(57) **CLAIM**

The ornamental design for a snow plow, as shown and described.

DESCRIPTION

FIG. 1 is a front elevational view of a snow plow showing my new design;
FIG. 2 is a right side elevational view thereof;
FIG. 3 is a left side view thereof;
FIG. 4 is a rear elevational view thereof;
FIG. 5 is a top plan view thereof;
FIG. 6 is a bottom plan view thereof;
FIG. 7 is a left perspective front view thereof;
FIG. 8 is a right perspective rear view thereof;
FIG. 9 is a right perspective rear view thereof; and,
FIG. 10 is a left perspective front view thereof.
The broken lines illustrate environmental structure only and form no part of the claimed design.

1 Claim, 10 Drawing Sheets



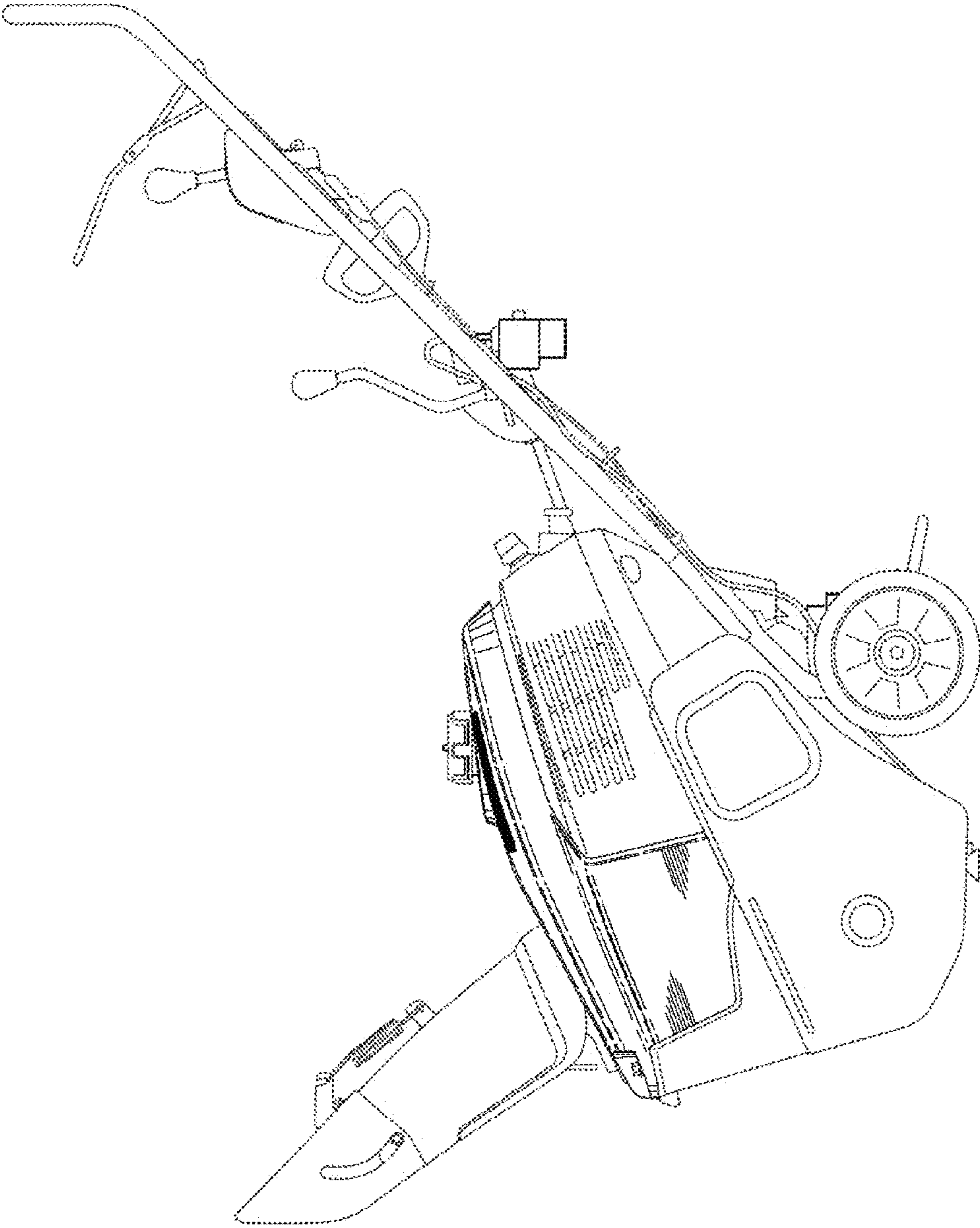


FIG. 1

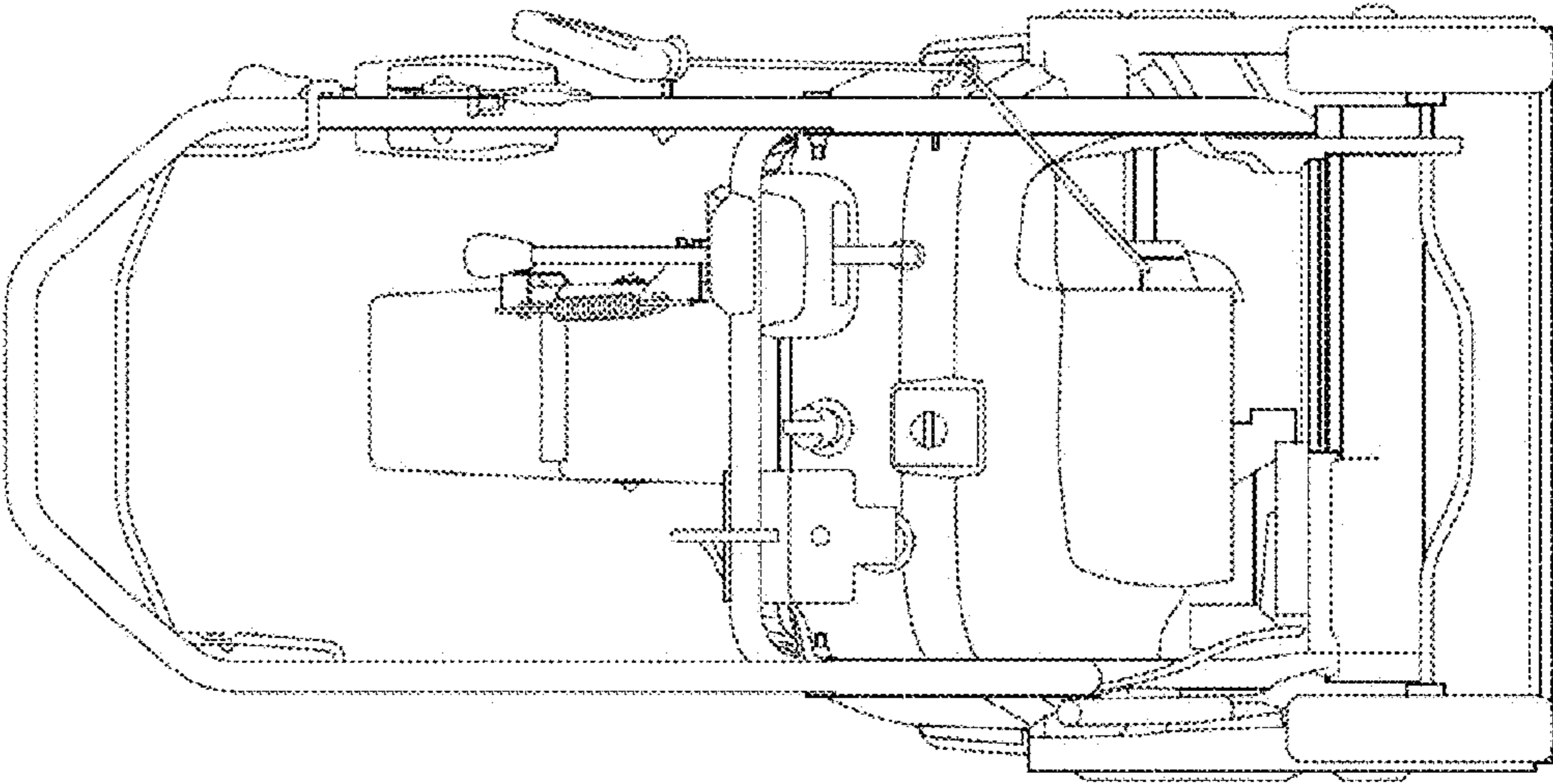


FIG. 2

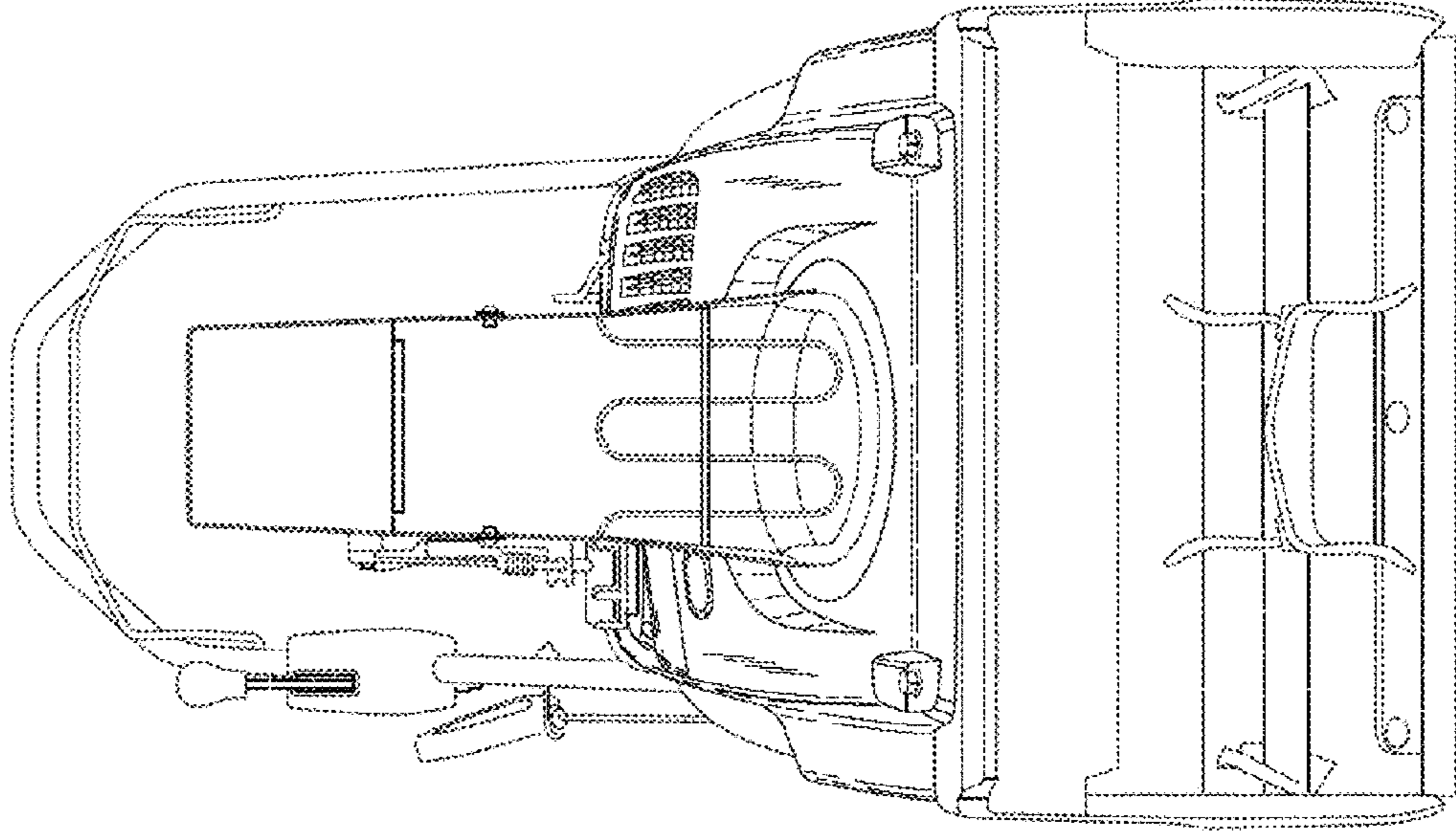


FIG. 3

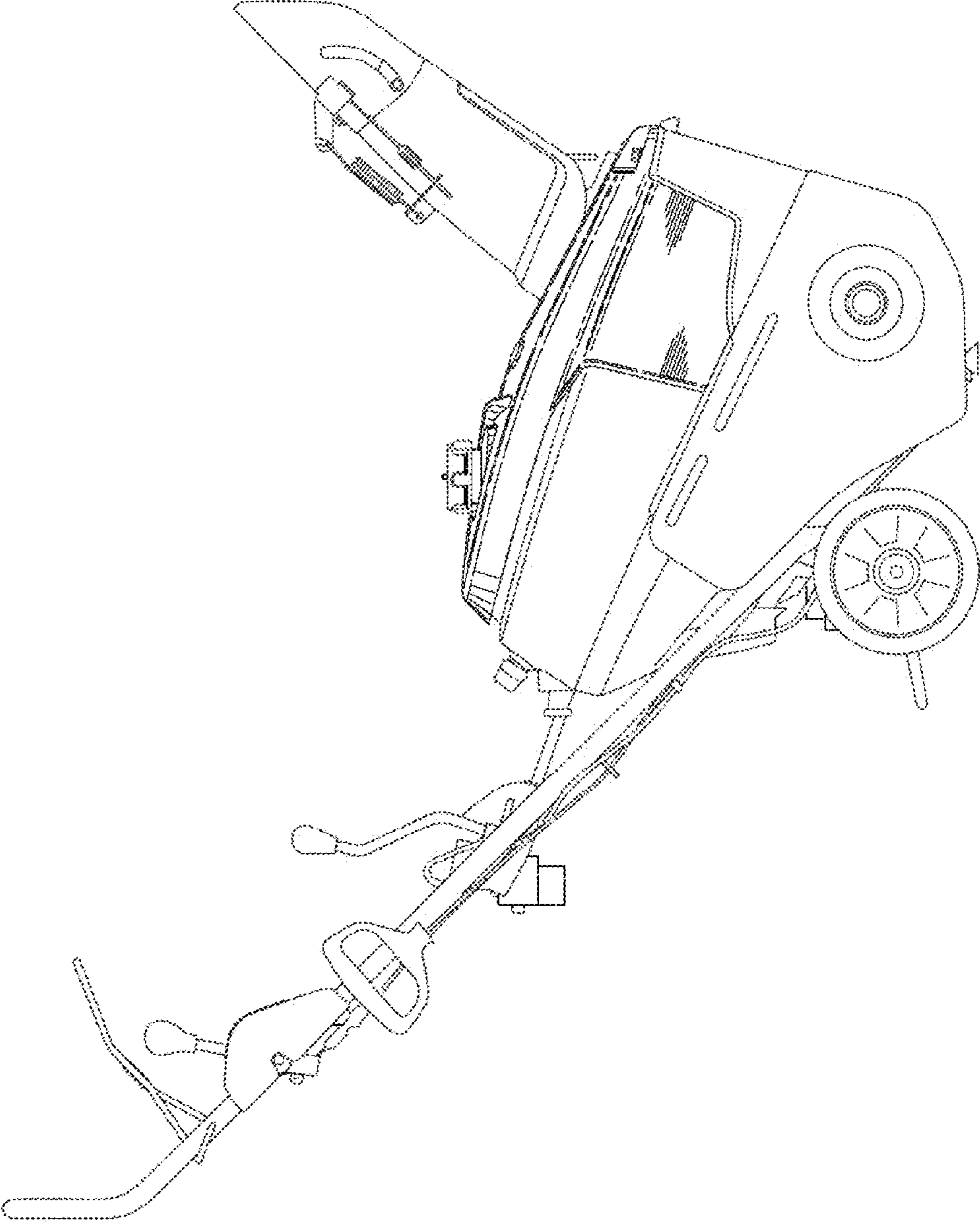


FIG. 4

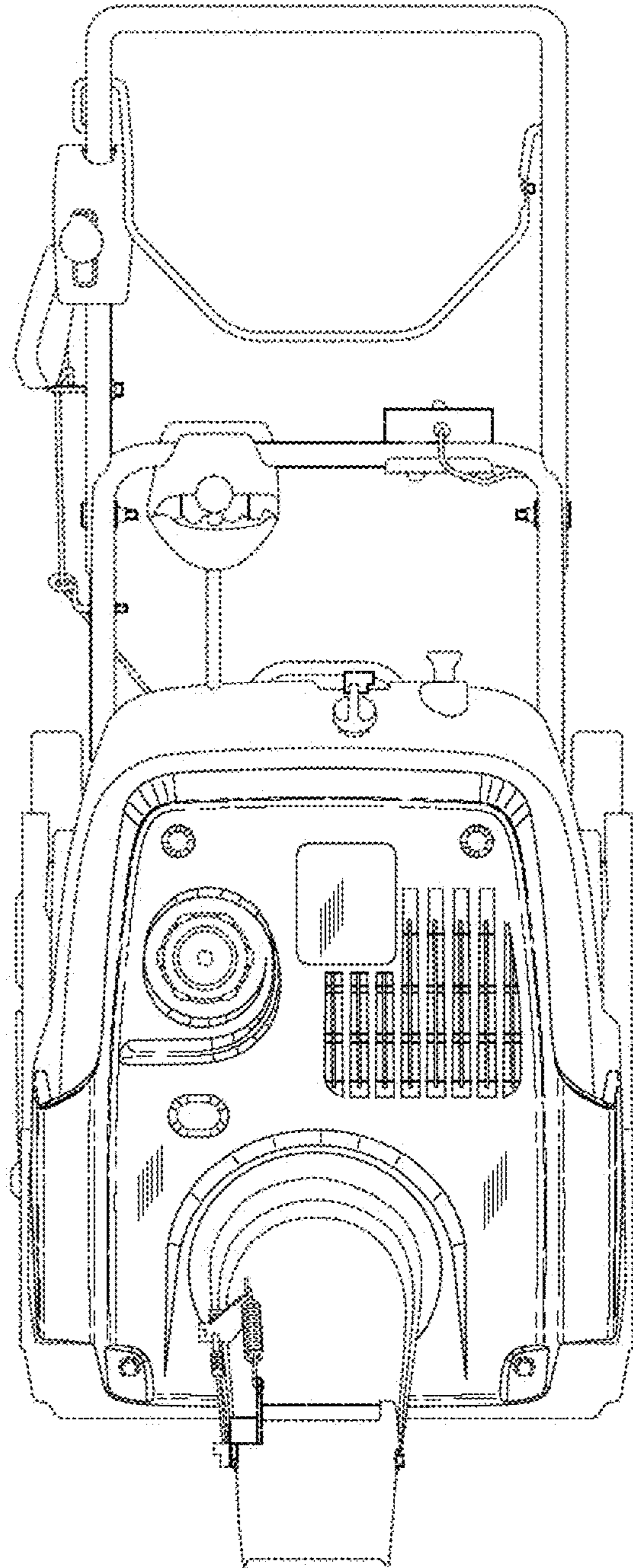


FIG. 5

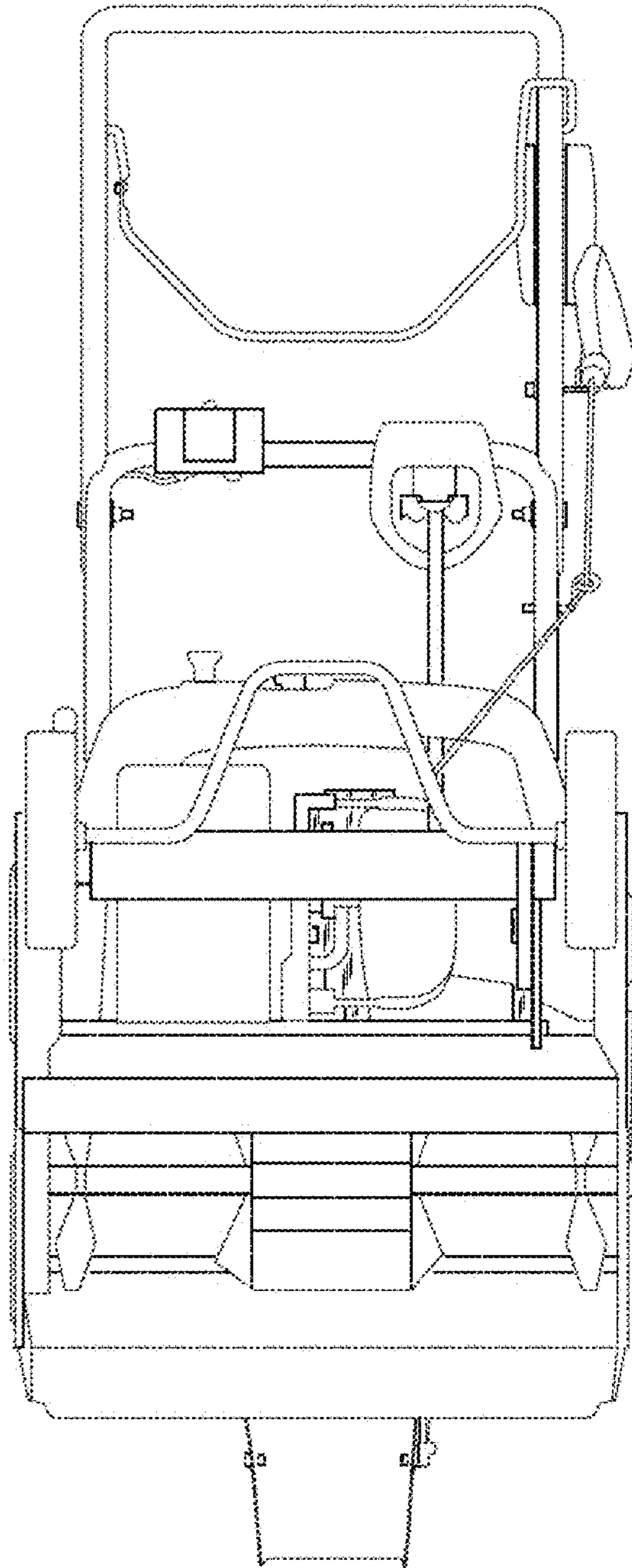


FIG. 6

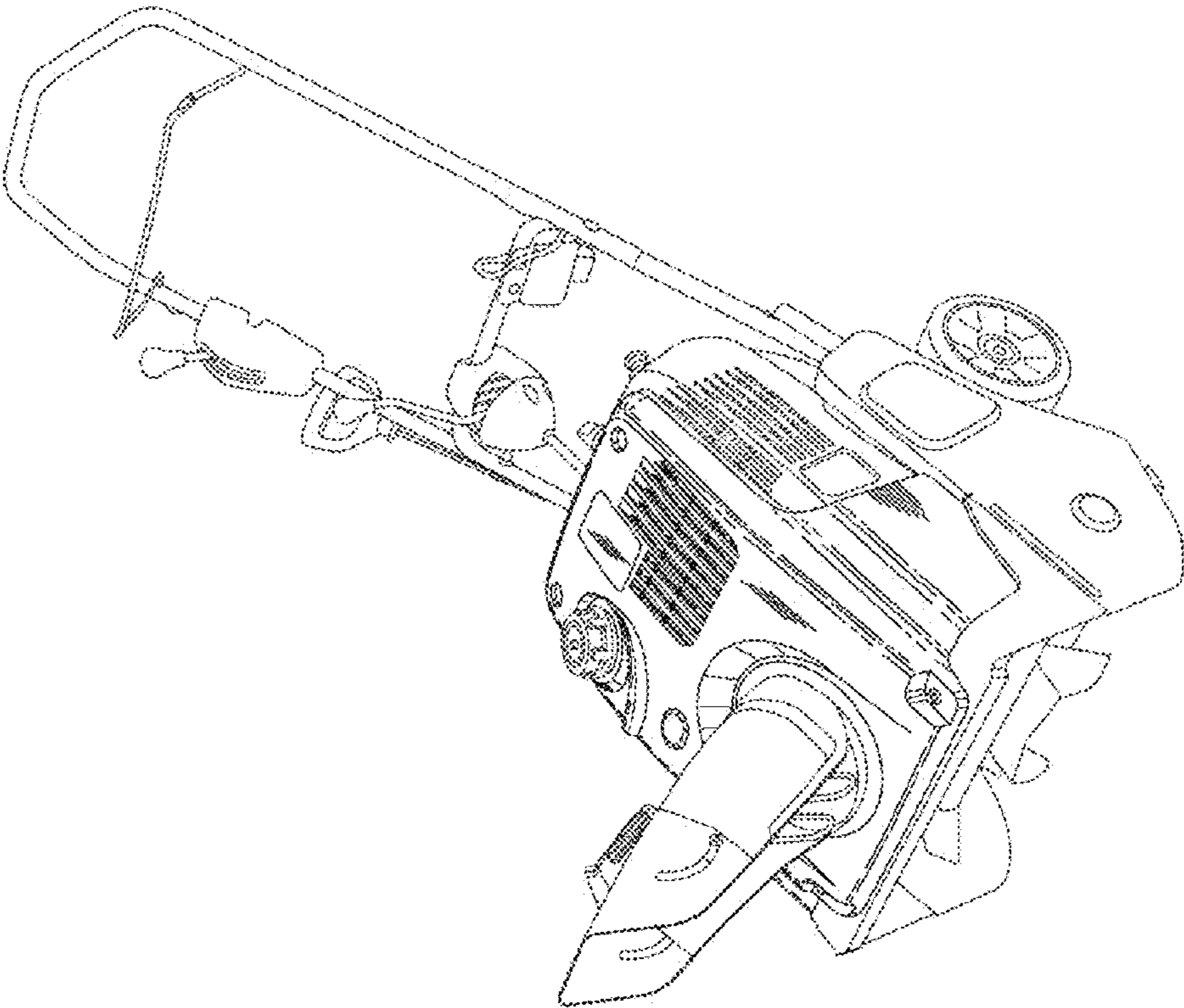


FIG. 7

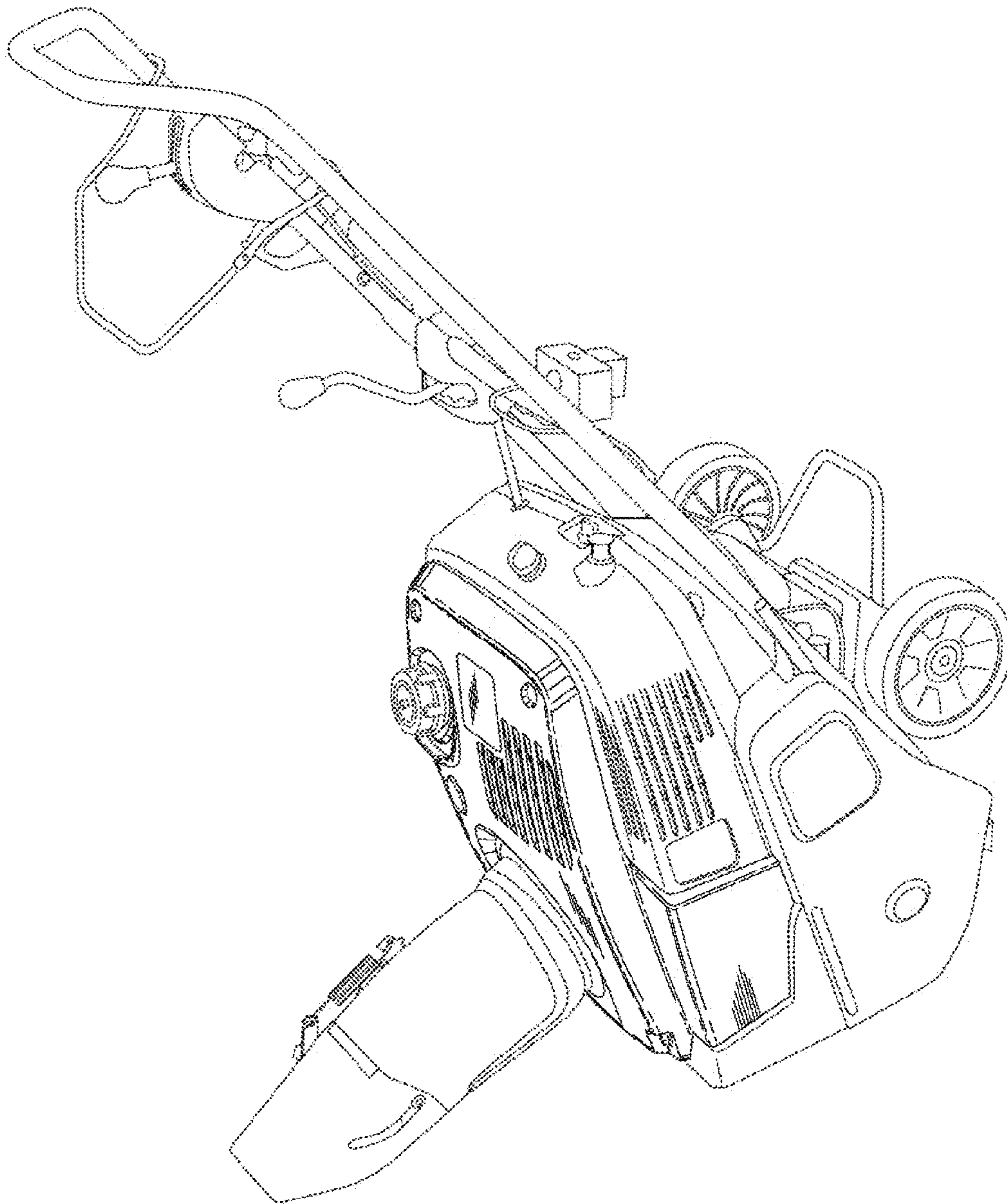


FIG. 8

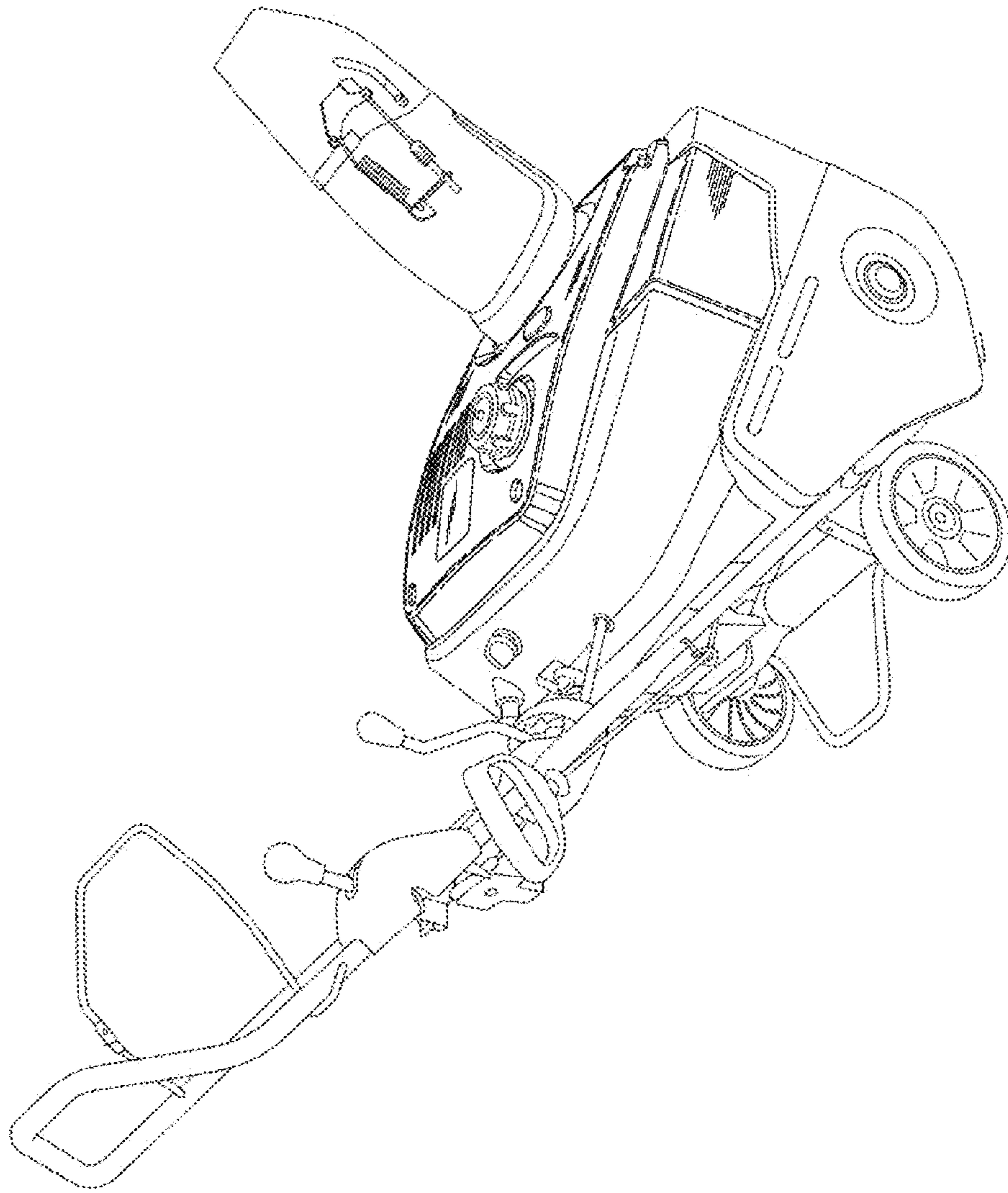


FIG. 9

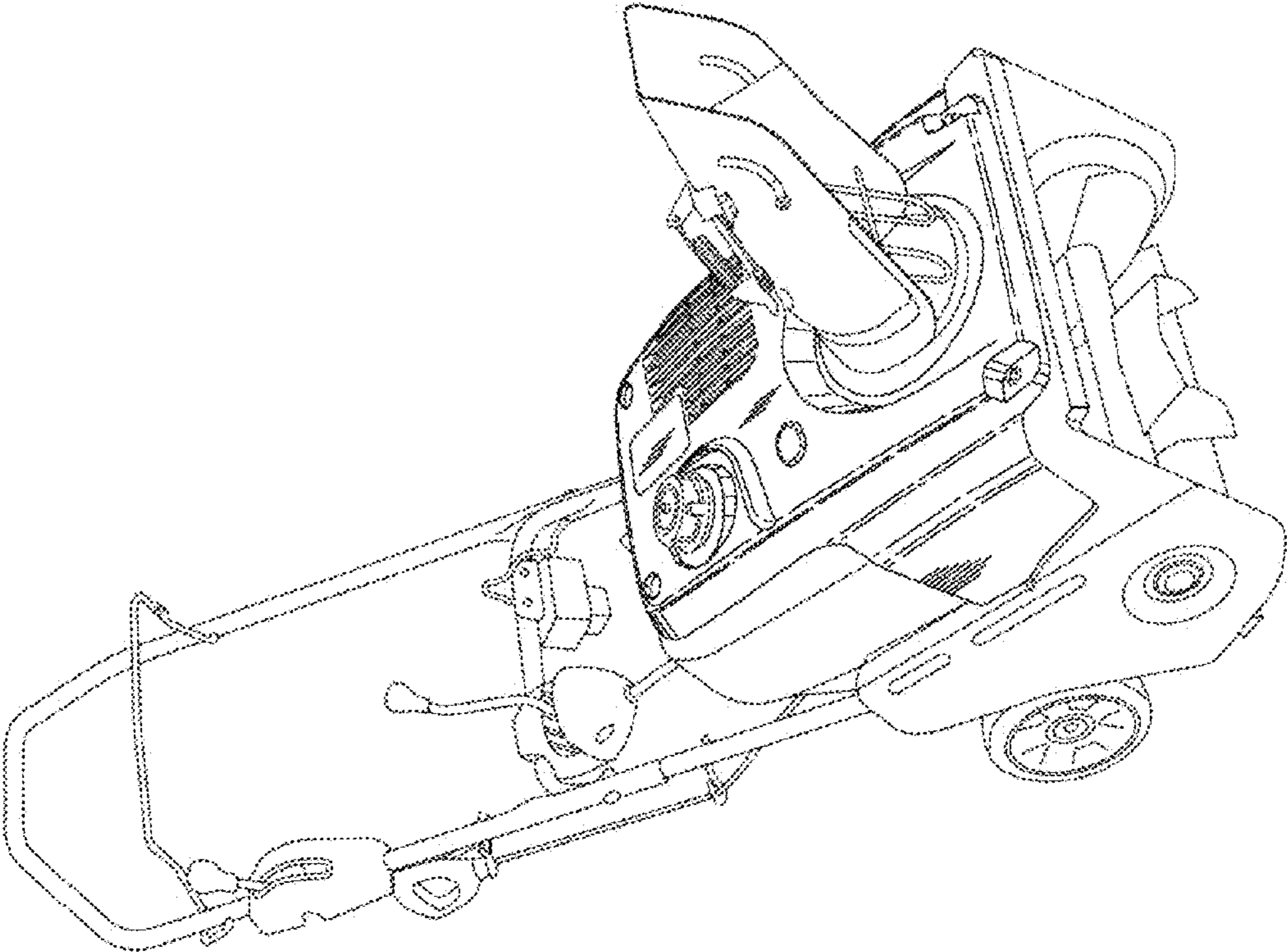


FIG. 10