



US00D700626S

(12) **United States Design Patent**  
**Zhangyan et al.**

(10) **Patent No.:** **US D700,626 S**  
(45) **Date of Patent:** **\*\* Mar. 4, 2014**

(54) **HANDLE FOR PUMP**

(71) Applicants: **Baxter International Inc.**, Deerfield, IL (US); **Baxter Healthcare S.A.**, Glattpark (CH)

(72) Inventors: **Lin Zhangyan**, Zhuhai (CN); **Yao Nianlong**, Zhuhai (CN); **Lin Zhangzhong**, Guangzhou (CN); **Zhu Hong**, Buffalo Grove, IL (US)

(73) Assignees: **Baxter International Inc.**, Deerfield, IL (US); **Baxter Healthcare S.A.**, Glattpark (Opfikon) (CH)

(\*\*) Term: **14 Years**

(21) Appl. No.: **29/461,287**

(22) Filed: **Jul. 22, 2013**

(51) **LOC (10) Cl.** ..... **15-02**

(52) **U.S. Cl.**  
USPC ..... **D15/7**

(58) **Field of Classification Search**  
USPC ..... D15/7-9; 417/410.1, 359, 415-416, 417/234, 321, 265, 405; D23/231-232  
See application file for complete search history.

(56) **References Cited**

**U.S. PATENT DOCUMENTS**

D500,326 S	*	12/2004	Fathallah et al.	.....	D15/9
D516,091 S	*	2/2006	Leasure et al.	.....	D15/9
D517,092 S	*	3/2006	Leasure et al.	.....	D15/9
D578,551 S	*	10/2008	Bonzer	.....	D15/9
D585,460 S	*	1/2009	Plunk et al.	.....	D15/9
D620,500 S	*	7/2010	Brandt et al.	.....	D15/9
D644,250 S	*	8/2011	Barber et al.	.....	D15/7
D649,163 S	*	11/2011	Moormann et al.	.....	D15/7

**OTHER PUBLICATIONS**

Unpublished U.S. Appl. No. 13/947,193, filed on the same date as the present design application on Jul. 22, 2013. The utility application is commonly assigned and has a common inventor, Zhu Hong. The utility application is directed to the functional aspects of the pump, while the present design application is directed to the appearance of the handle for the pump. The handle is shown in the drawings of the utility application.

\* cited by examiner

*Primary Examiner* — Ralf Seifert

(74) *Attorney, Agent, or Firm* — Greer, Burns & Crain, Ltd.; Austin J. Foley

(57) **CLAIM**

The ornamental design for a handle for pump, as shown and described.

**DESCRIPTION**

FIG. 1 is a front perspective view of a handle for pump showing our new design;

FIG. 2 is a front elevational view thereof;

FIG. 3 is a rear elevational view thereof;

FIG. 4 is a first side elevational view thereof;

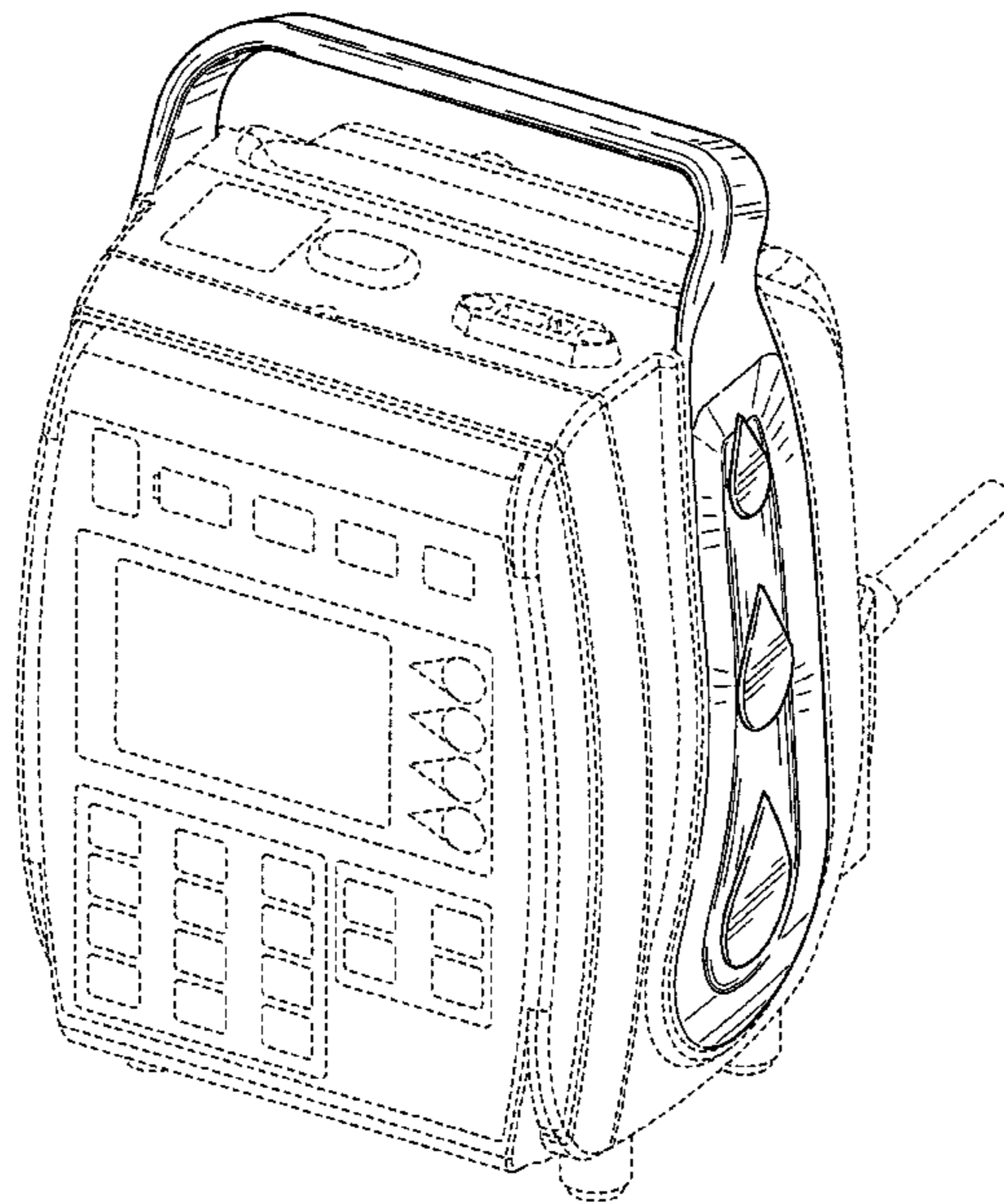
FIG. 5 is an opposite side elevational view thereof;

FIG. 6 is a top plan view thereof; and,

FIG. 7 is a bottom plan view thereof.

The broken lines in FIGS. 1-7 represent the boundary of the design, while the broken lines showing the remainder of the handle for pump illustrate the environment in which the design resides. The broken lines form no part of the claim.

**1 Claim, 7 Drawing Sheets**



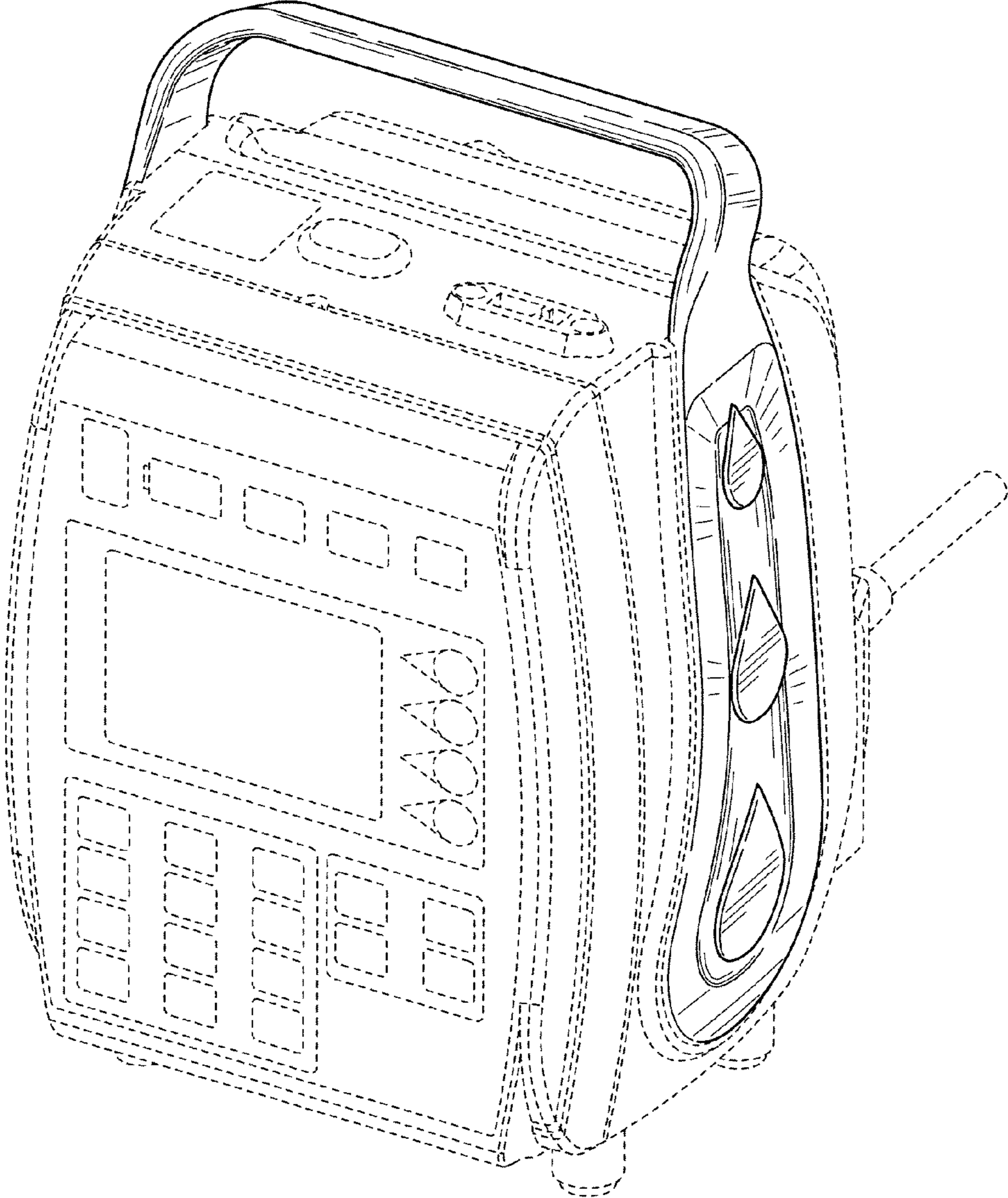


FIG. 1

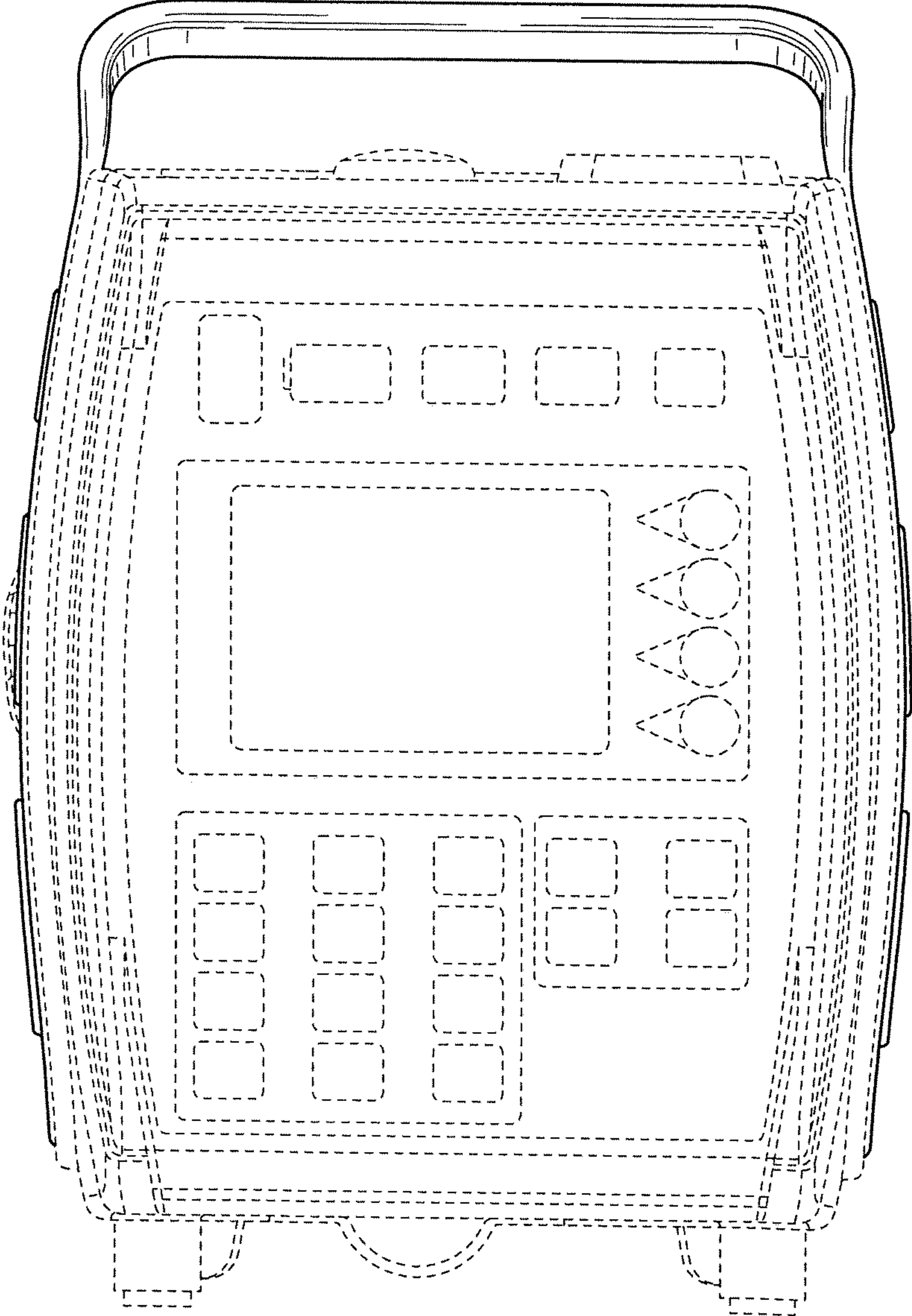


FIG. 2

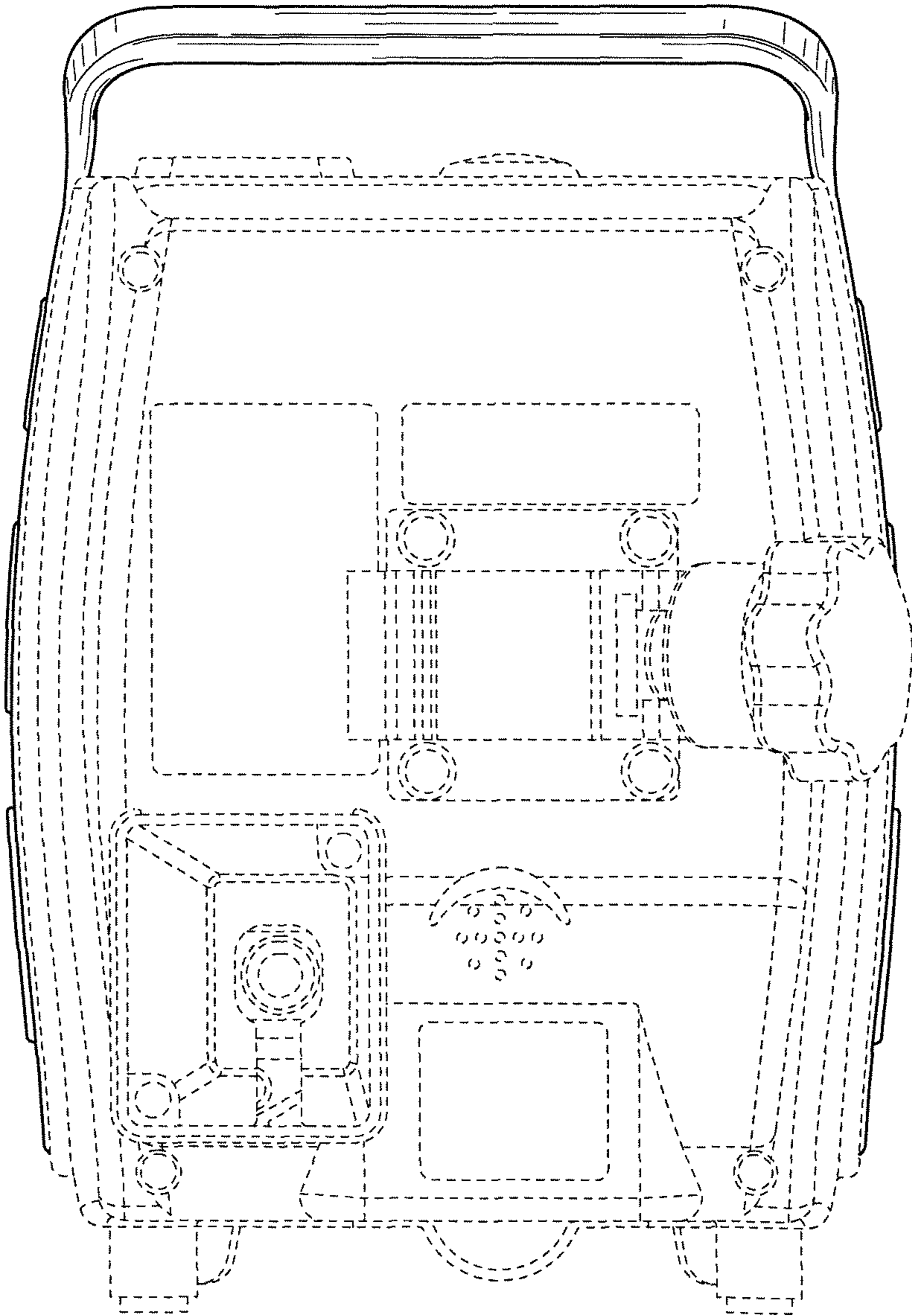


FIG. 3

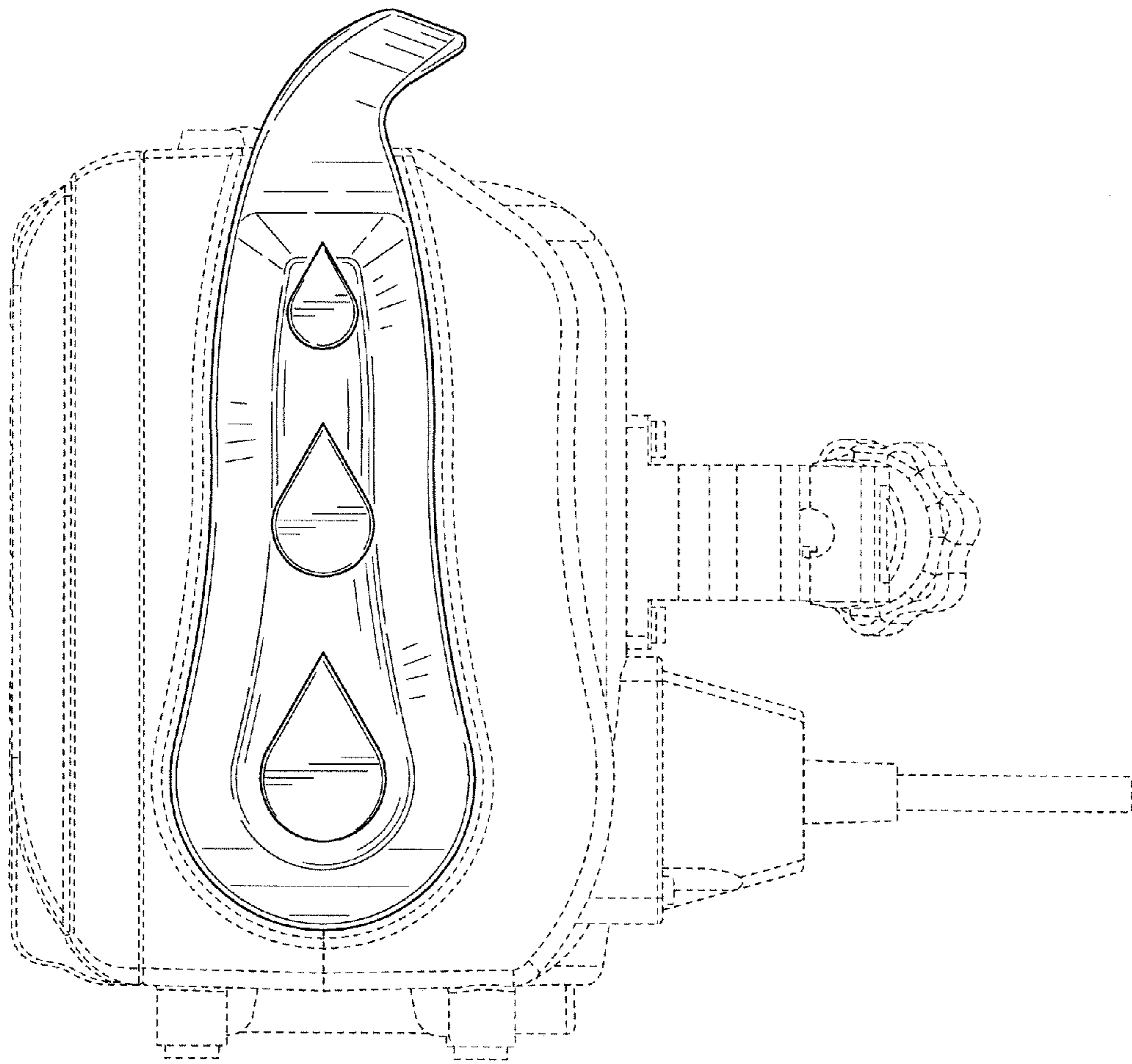


FIG. 4

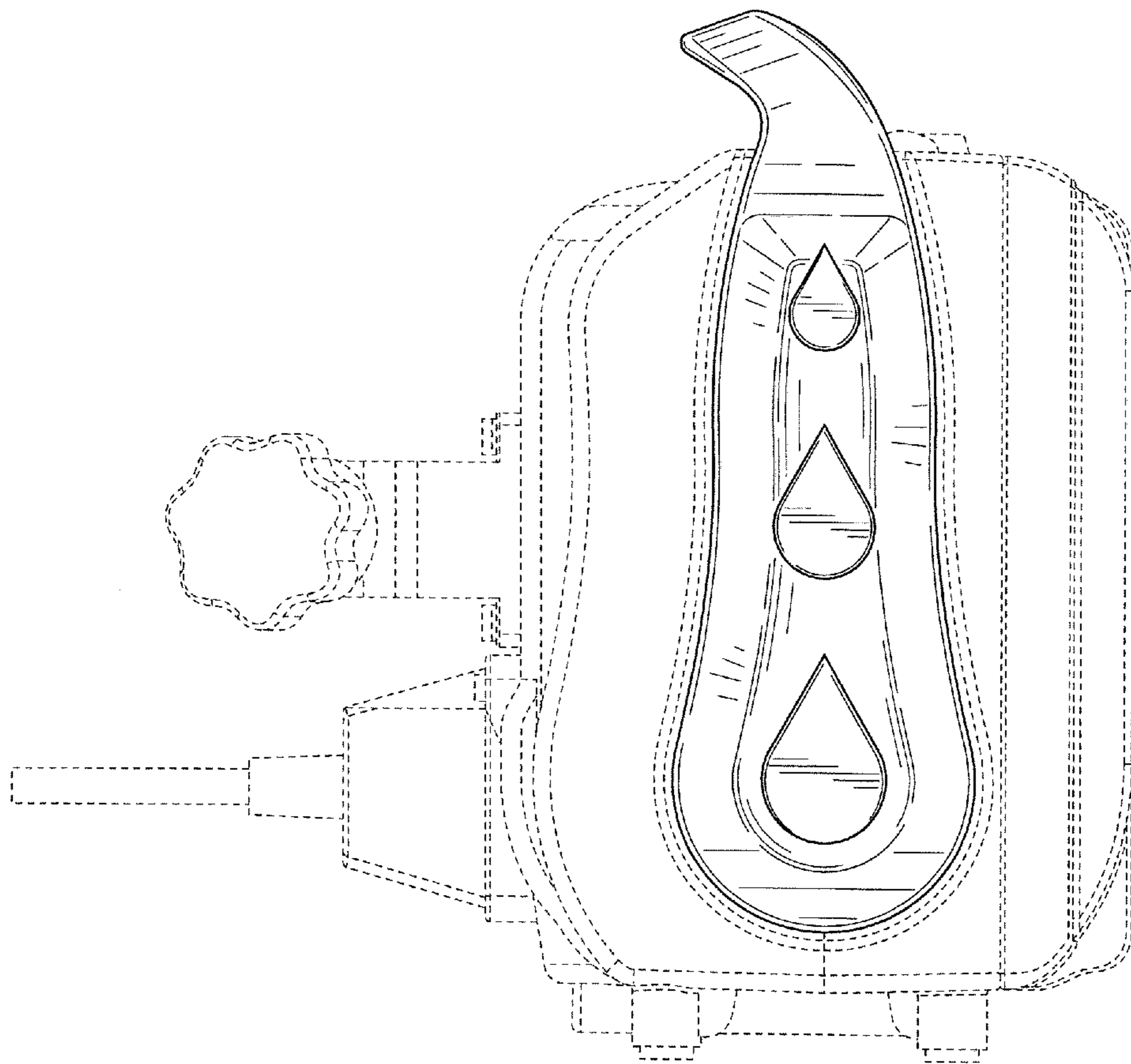


FIG. 5

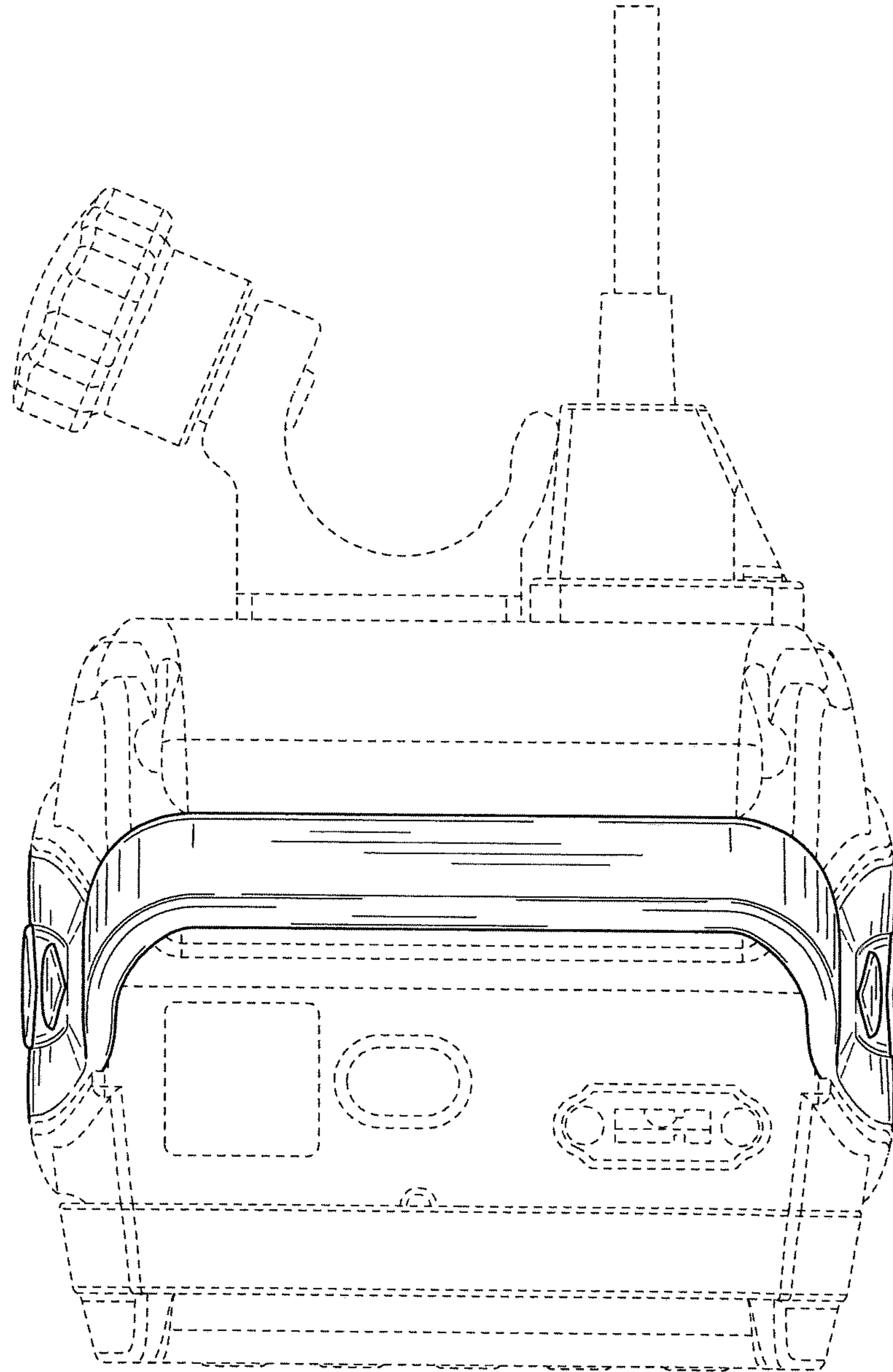


FIG. 6

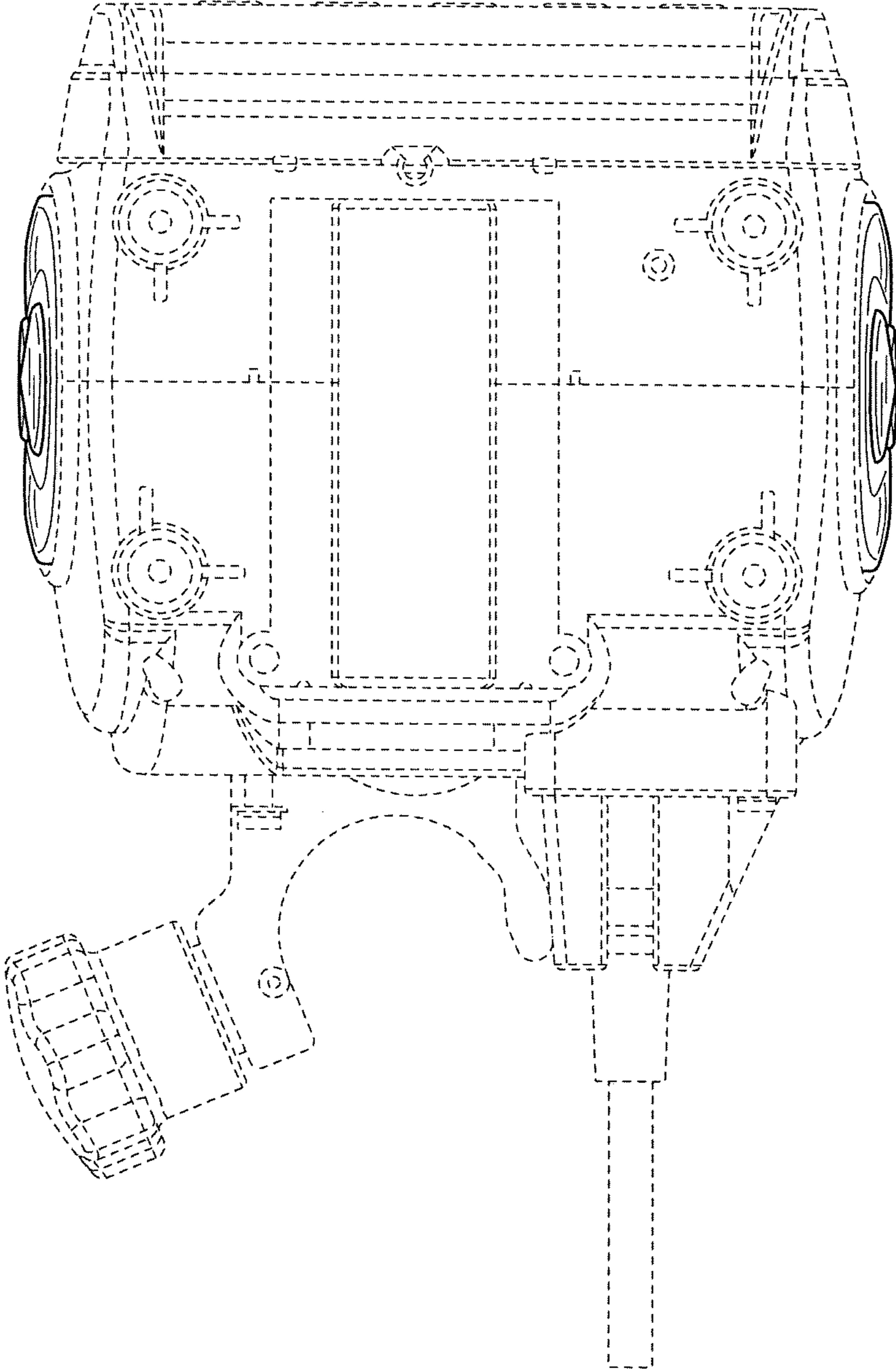


FIG. 7