



US00D700625S

(12) **United States Design Patent**  
**Iwagoshi et al.**

(10) **Patent No.:** **US D700,625 S**  
(45) **Date of Patent:** **\*\* Mar. 4, 2014**

(54) **PISTON PUMP**

(56) **References Cited**

(71) Applicant: **Ulvac Kiko, Inc.**, Miyazaki (JP)

U.S. PATENT DOCUMENTS

(72) Inventors: **Kotaro Iwagoshi**, Miyazaki (JP); **Ryuji Itoyama**, Miyazaki (JP); **Norihiro Suzuki**, Miyazaki (JP); **Taisuke Osaka**, Miyazaki (JP)

D382,883	S	*	8/1997	Breitzman et al.	.....	D15/9
D412,174	S	*	7/1999	Faulkner et al.	.....	D15/9
D499,119	S	*	11/2004	Thomas et al.	.....	D15/9
D613,633	S	*	4/2010	Leu et al.	.....	D15/9
D684,999	S	*	6/2013	Osaka et al.	.....	D15/7
D689,526	S	*	9/2013	Tsai	.....	D15/9

(73) Assignee: **Ulvac Kiko, Inc.** (JP)

\* cited by examiner

(\*\*) Term: **14 Years**

*Primary Examiner* — Ralf Seifert

(21) Appl. No.: **29/455,710**

(74) *Attorney, Agent, or Firm* — Saliwanchik, Lloyd & Eisenschenk

(22) Filed: **May 23, 2013**

(57) **CLAIM**

The ornamental design for a piston pump, as shown and described.

(30) **Foreign Application Priority Data**

Nov. 28, 2012 (JP) ..... 2012-029058

**DESCRIPTION**

(51) **LOC (10) Cl.** ..... **15-02**

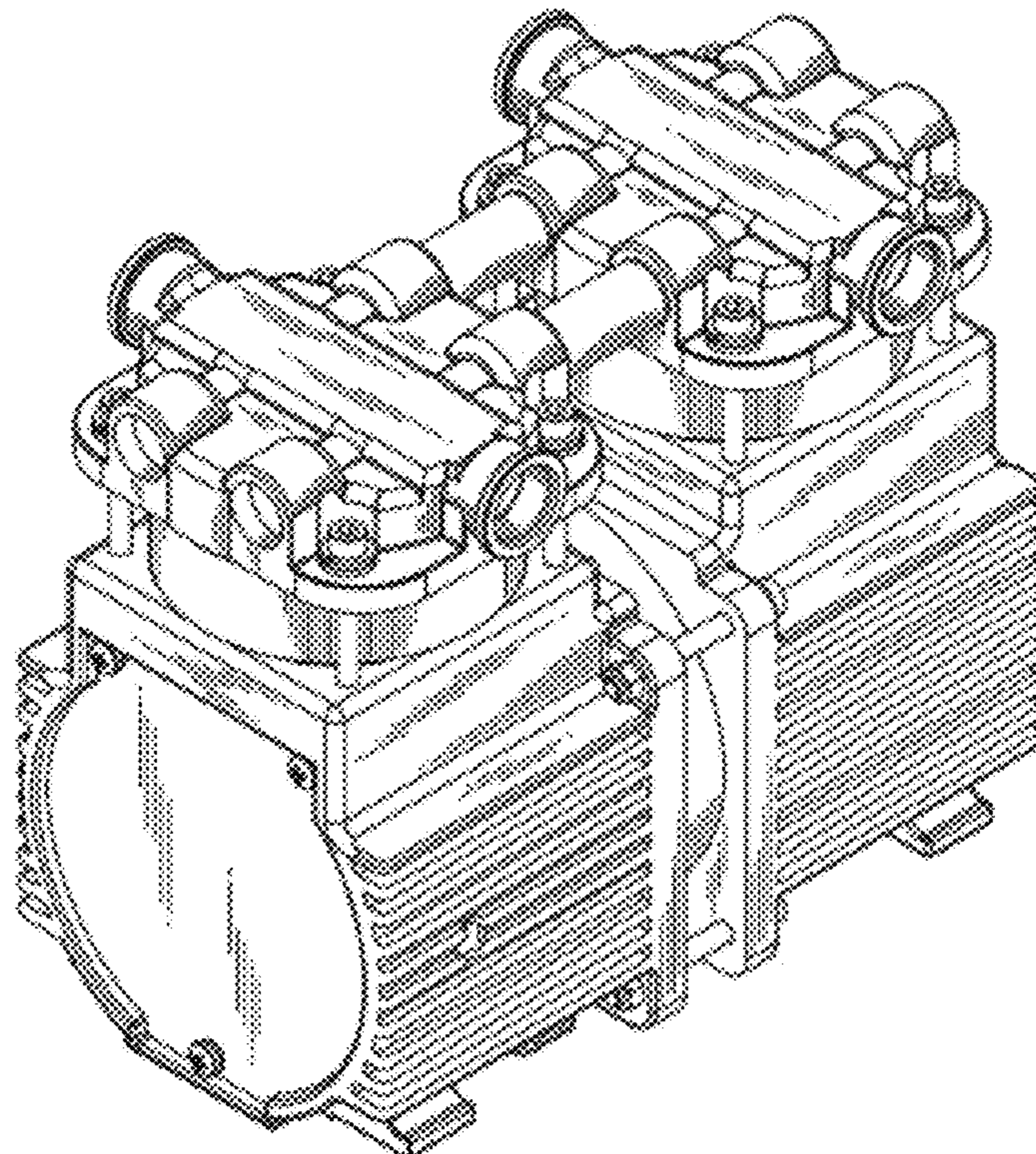
(52) **U.S. Cl.**  
USPC ..... **D15/7**

(58) **Field of Classification Search**  
USPC ..... D15/7-9; D23/231, 232, 225; 417/60, 417/235, 265, 321, 355, 358, 363, 359, 417/410.1, 415-416, 405, 900, 279; 60/408, 412; 184/26-37; 415/140-147; 123/495, 509

FIG. 1 is a front, left perspective view of a piston pump showing our new design;  
FIG. 2 is a front view thereof;  
FIG. 3 is a rear view thereof;  
FIG. 4 is a right side view thereof, the left side view being a mirror image thereof;  
FIG. 5 is a top plan view thereof; and,  
FIG. 6 is a bottom plan view thereof.

See application file for complete search history.

**1 Claim, 3 Drawing Sheets**



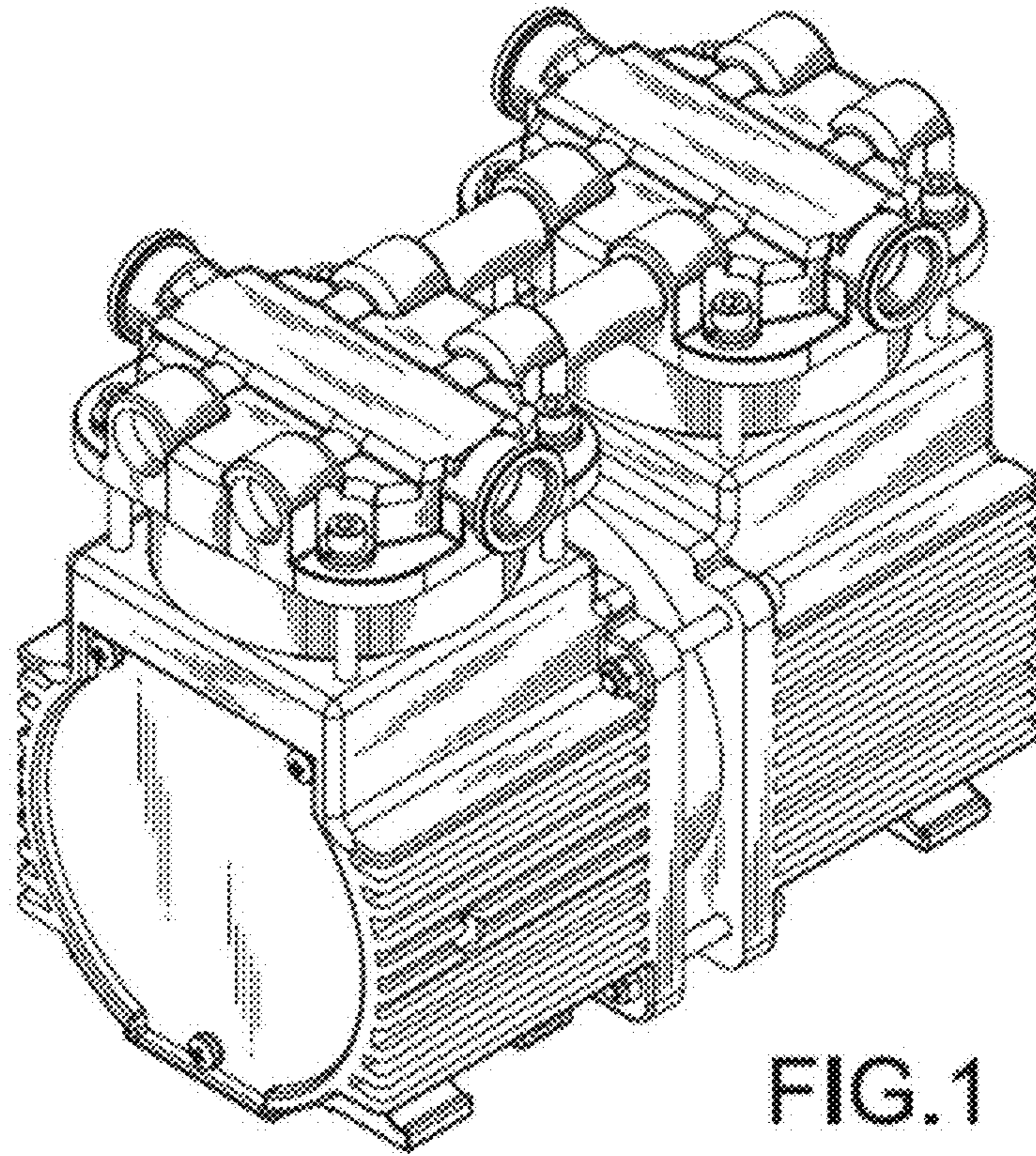


FIG. 1

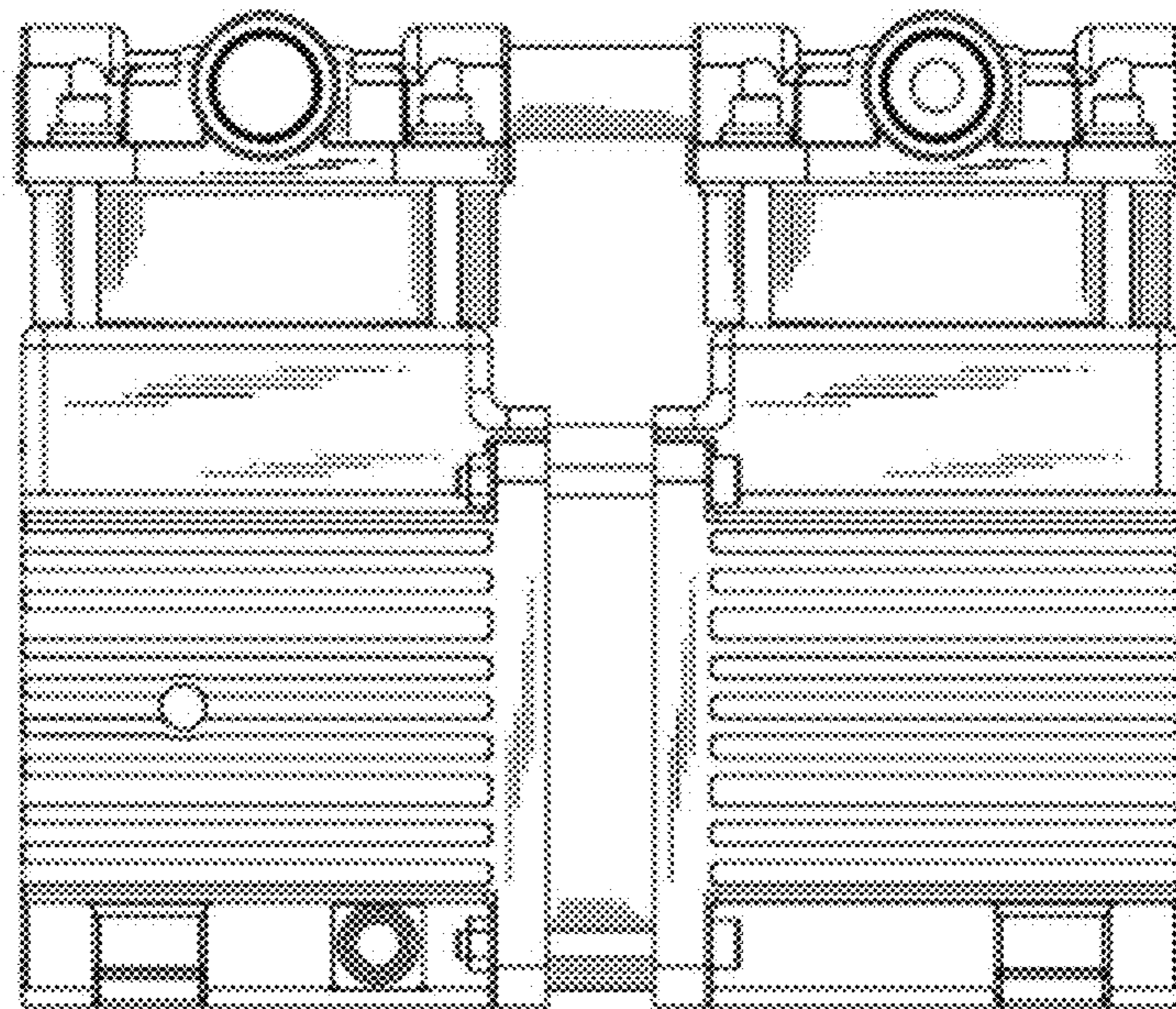


FIG. 2

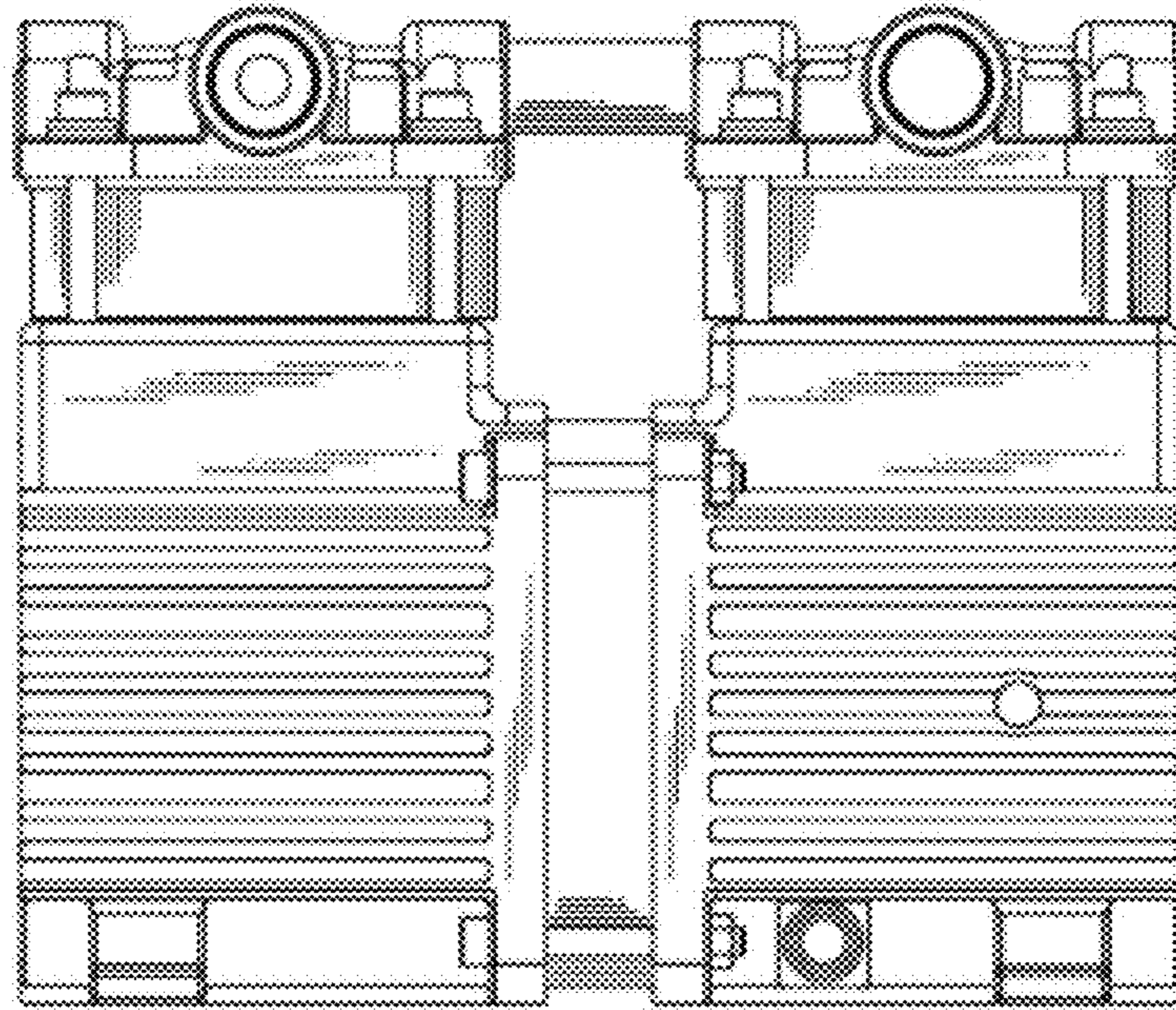


FIG. 3

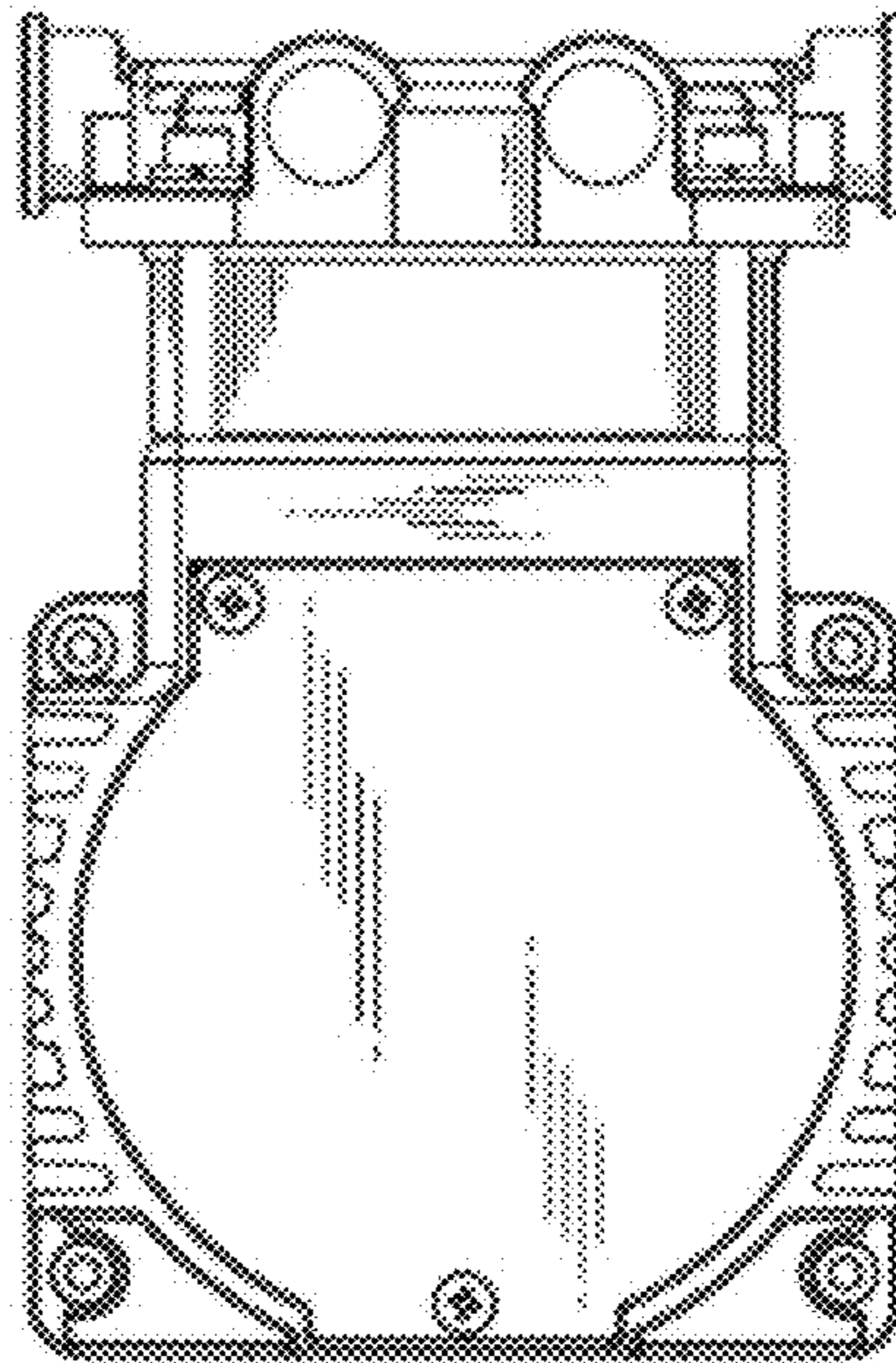


FIG. 4

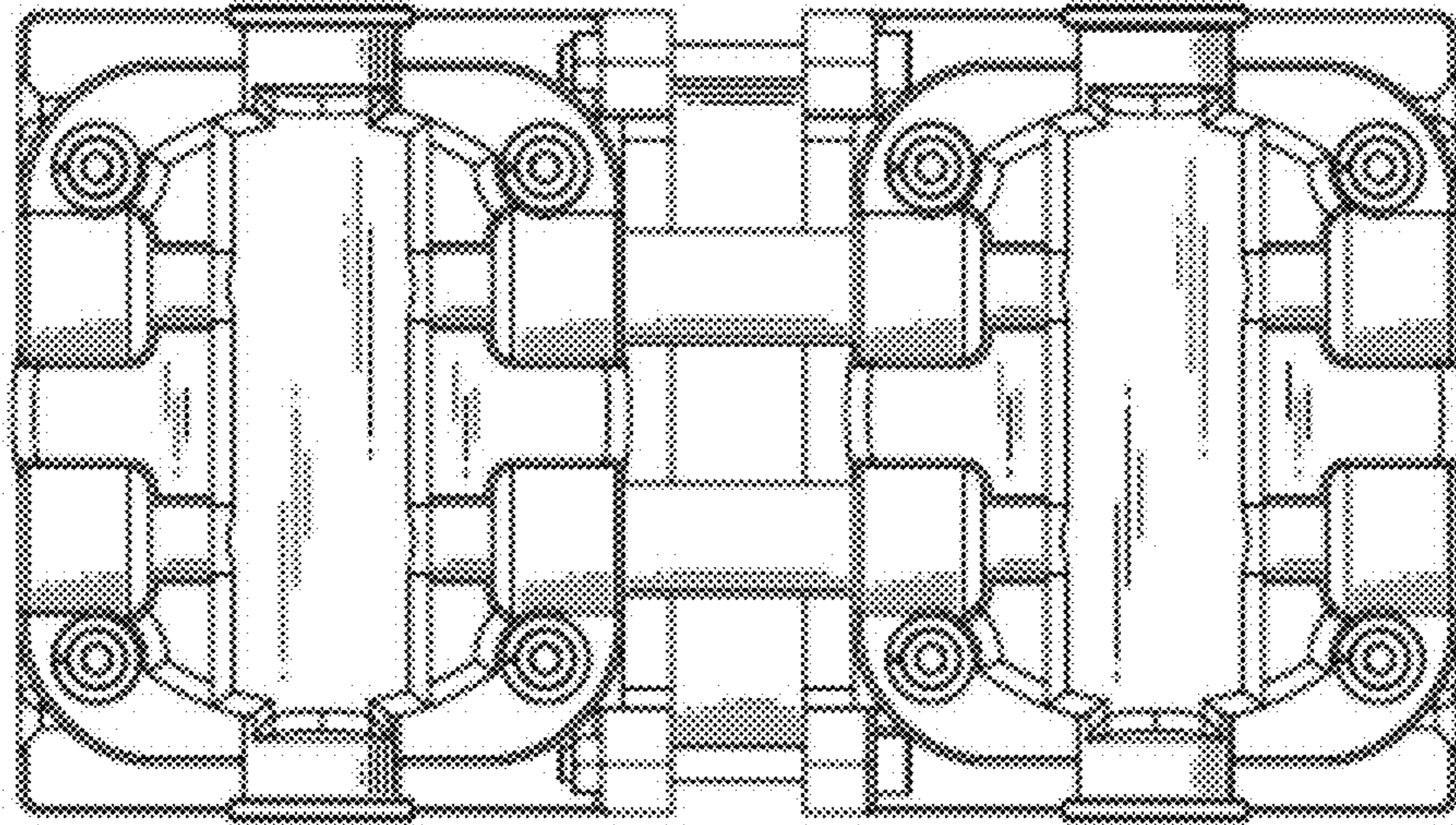


FIG. 5

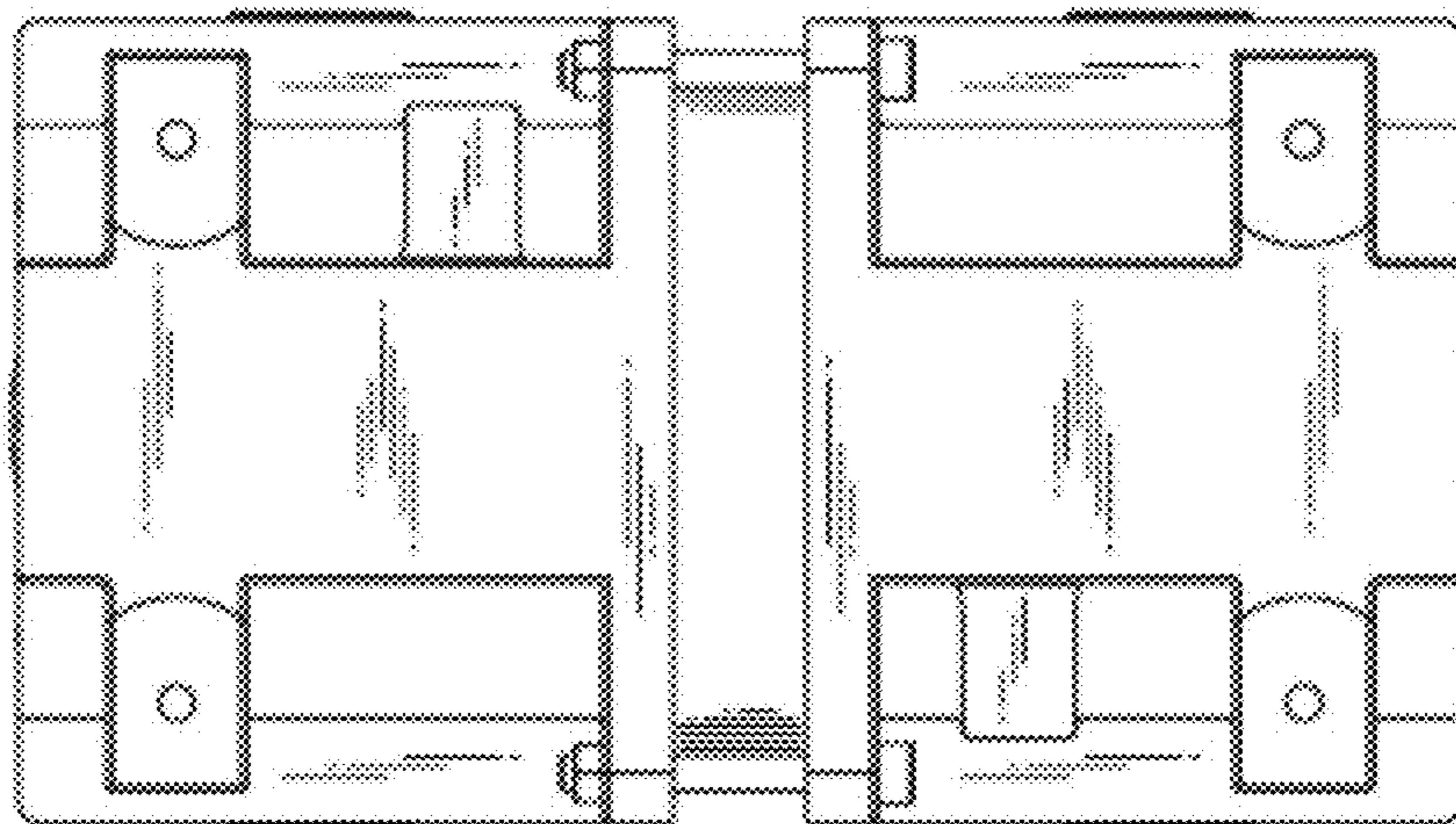


FIG. 6