



US00D700622S

(12) **United States Design Patent**
Carruth et al.

(10) **Patent No.:** **US D700,622 S**
(45) **Date of Patent:** **** Mar. 4, 2014**

- (54) **PLUNGER ADAPTER**
- (75) Inventors: **Don V. Carruth**, Midland, TX (US);
Jyothi Swaroop Samayamantula,
Midland, TX (US)
- (73) Assignee: **Don V. Carruth**, Midland, TX (US)
- (**) Term: **14 Years**
- (21) Appl. No.: **29/418,661**
- (22) Filed: **Apr. 19, 2012**
- (51) **LOC (10) Cl.** **15-02**
- (52) **U.S. Cl.**
USPC **D15/7**
- (58) **Field of Classification Search**
USPC D15/7-9; D23/231, 232, 225; 417/60,
417/235, 265, 321, 355, 358, 363, 359,
417/410.1, 415-416, 405, 900, 430, 43,
417/554; 60/408, 412; 184/26-37;
415/140-147; 123/495, 509;
166/105.1, 105.2, 311
See application file for complete search history.

D520,521 S	5/2006	Angeletta	
7,143,829 B2	12/2006	Booth	
D557,286 S	12/2007	Pedrollo	
7,428,923 B2	9/2008	Ford	
D583,389 S	12/2008	Bilger	
D584,320 S	1/2009	Huang	
D589,984 S	4/2009	Roesler	
D610,166 S *	2/2010	Foreman	D15/7
D623,200 S	9/2010	Fulkerson et al.	
D624,561 S	9/2010	Yu	
7,909,589 B2	3/2011	Williams	
D641,382 S	7/2011	Hawes et al.	
D643,442 S	8/2011	Sato et al.	
D652,059 S	1/2012	Sato et al.	
D682,317 S *	5/2013	Carruth et al.	D15/7
2005/0265875 A1	12/2005	Williams et al.	
2008/0112826 A1	5/2008	Ford	

* cited by examiner

Primary Examiner — Ralf Seifert

(74) *Attorney, Agent, or Firm* — Grady K. Bergen; Griggs Bergen LLP

(57) **CLAIM**

The ornamental design for a plunger adapter, as shown and described.

DESCRIPTION

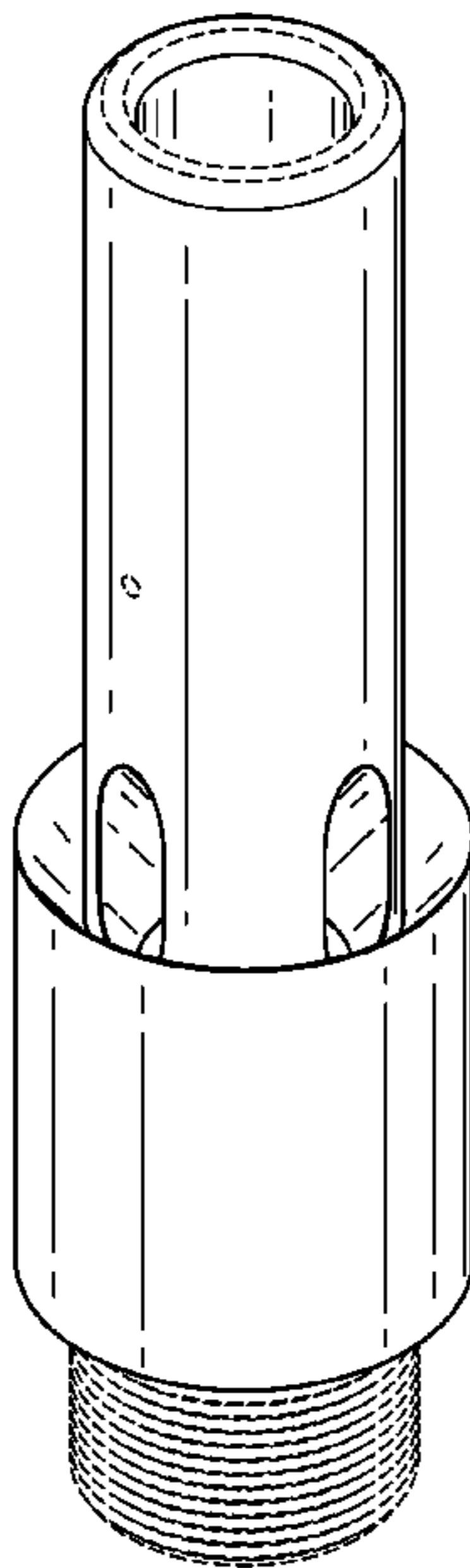
FIG. 1 is a side perspective view of a plunger adapter
FIG. 2 is a front side elevational view of the plunger adapter of FIG. 1;
FIG. 3 is a rear side elevational view of the plunger adapter of FIG. 1;
FIG. 4 is a top plan view of the plunger adapter of FIG. 1; and,
FIG. 5 is a bottom plan view of the plunger adapter of FIG. 1.
The broken lines are included for the purpose of illustrating portions of the plunger adapter that form no part of the claimed design.

1 Claim, 2 Drawing Sheets

(56) **References Cited**

U.S. PATENT DOCUMENTS

54,484 A	5/1886	Armstrong	
1,455,850 A	8/1921	Penrod et al.	
1,933,595 A	1/1933	Kapp	
2,635,554 A	9/1950	Haley	
3,090,324 A	5/1963	Schmidt	
4,194,567 A	3/1980	Marais	
D345,420 S *	3/1994	Stewart, Sr.	D24/143
D355,199 S	2/1995	Ousey	
D461,827 S	8/2002	Koebbe	
D472,558 S *	4/2003	MacPherson et al.	D15/7
6,543,543 B2	4/2003	Muth	
6,746,222 B2	6/2004	Skillman	



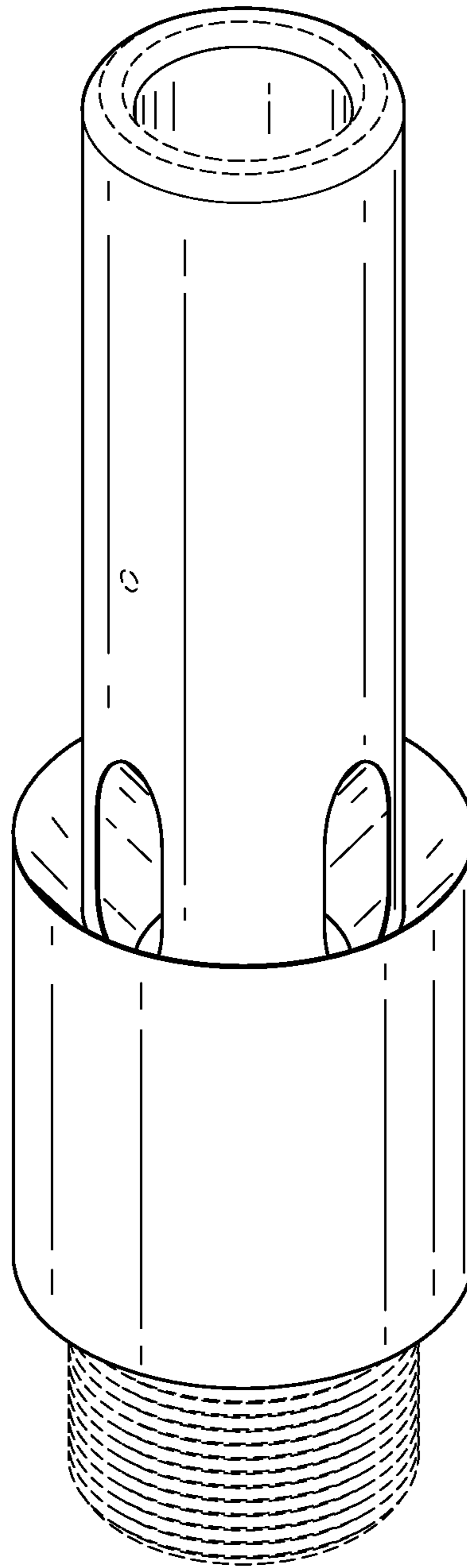


FIG. 1

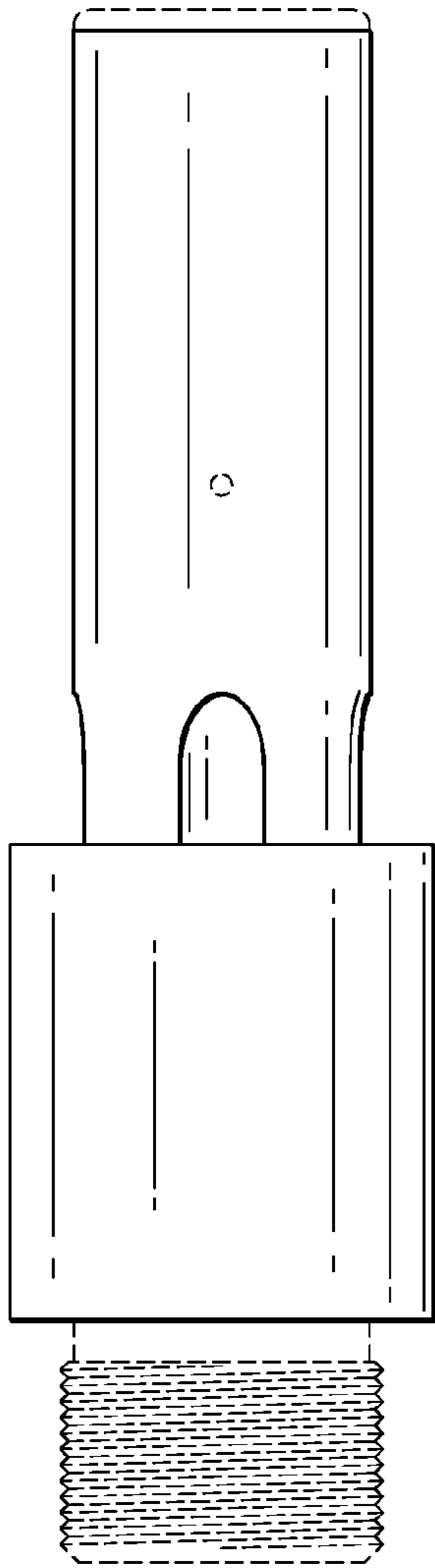


FIG. 2

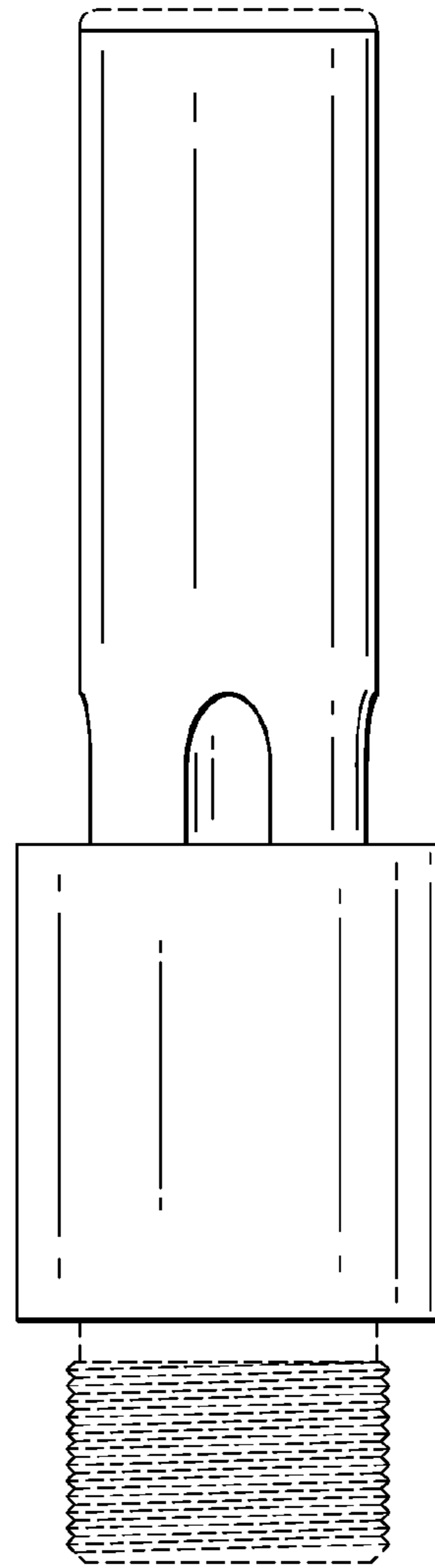


FIG. 3

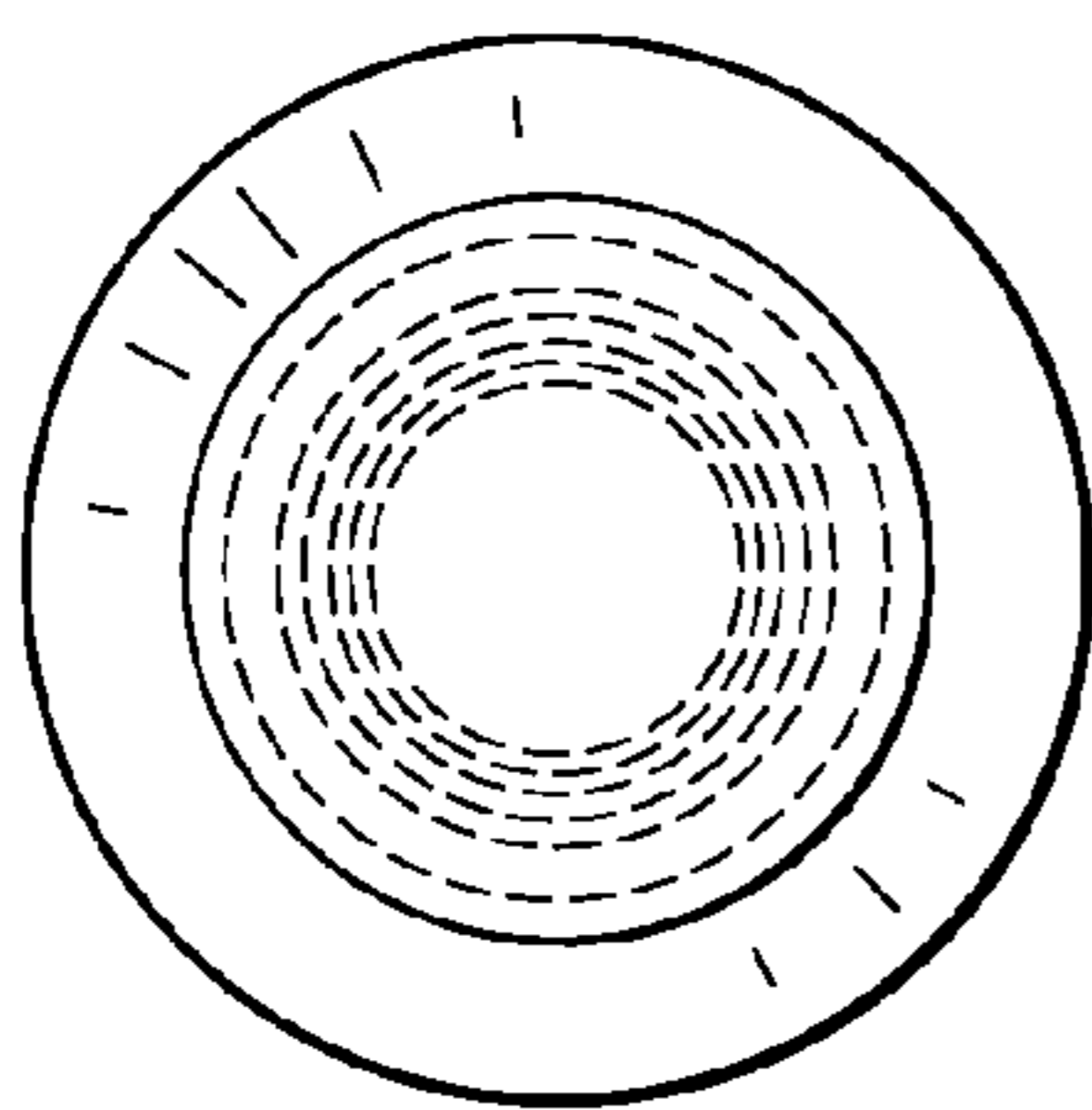


FIG. 4

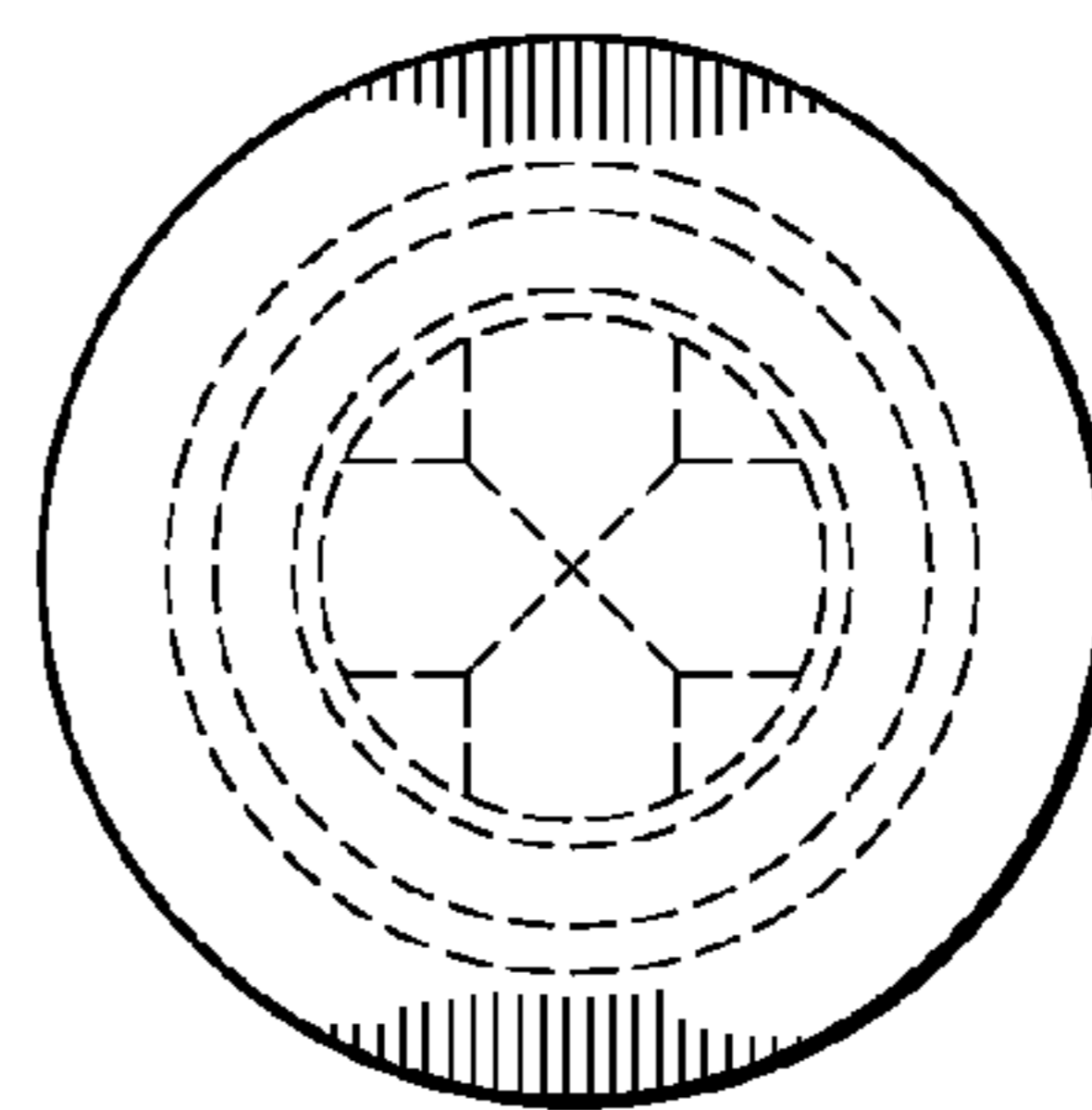


FIG. 5