



US00D700614S

(12) **United States Design Patent**
Hamblet

(10) **Patent No.:** **US D700,614 S**
(45) **Date of Patent:** **** Mar. 4, 2014**

(54) **ELECTRONIC DEVICE HOLDER**
(71) Applicant: **Christopher Hamblet**, Raleigh, NC
(US)
(72) Inventor: **Christopher Hamblet**, Raleigh, NC
(US)
(**) Term: **14 Years**
(21) Appl. No.: **29/460,821**
(22) Filed: **Jul. 15, 2013**
(51) **LOC (10) Cl.** **14-04**
(52) **U.S. Cl.**
USPC **D14/447**
(58) **Field of Classification Search**
USPC D14/447, 432, 434, 439, 448, 451, 452,
D14/457, 239, 250, 251, 253, 238.1, 440,
D14/205, 223, 224, 224.1, 229; D13/108;
D6/406.1, 406.2, 406.3, 406.4, 406.5,
D6/406.6, 601; 248/917-924, 363, 445,
248/447, 451, 455, 456, 460, 371, 166, 434,
248/188.6; 361/726, 679.02, 679.09,
361/679.21, 679.22, 679.26, 679.27,
361/679.29, 679.3, 679.55, 679.56;
D21/333
See application file for complete search history.

(56) **References Cited**
U.S. PATENT DOCUMENTS
D574,375 S * 8/2008 Prest et al. D14/253
D580,856 S * 11/2008 Haspil et al. D13/108

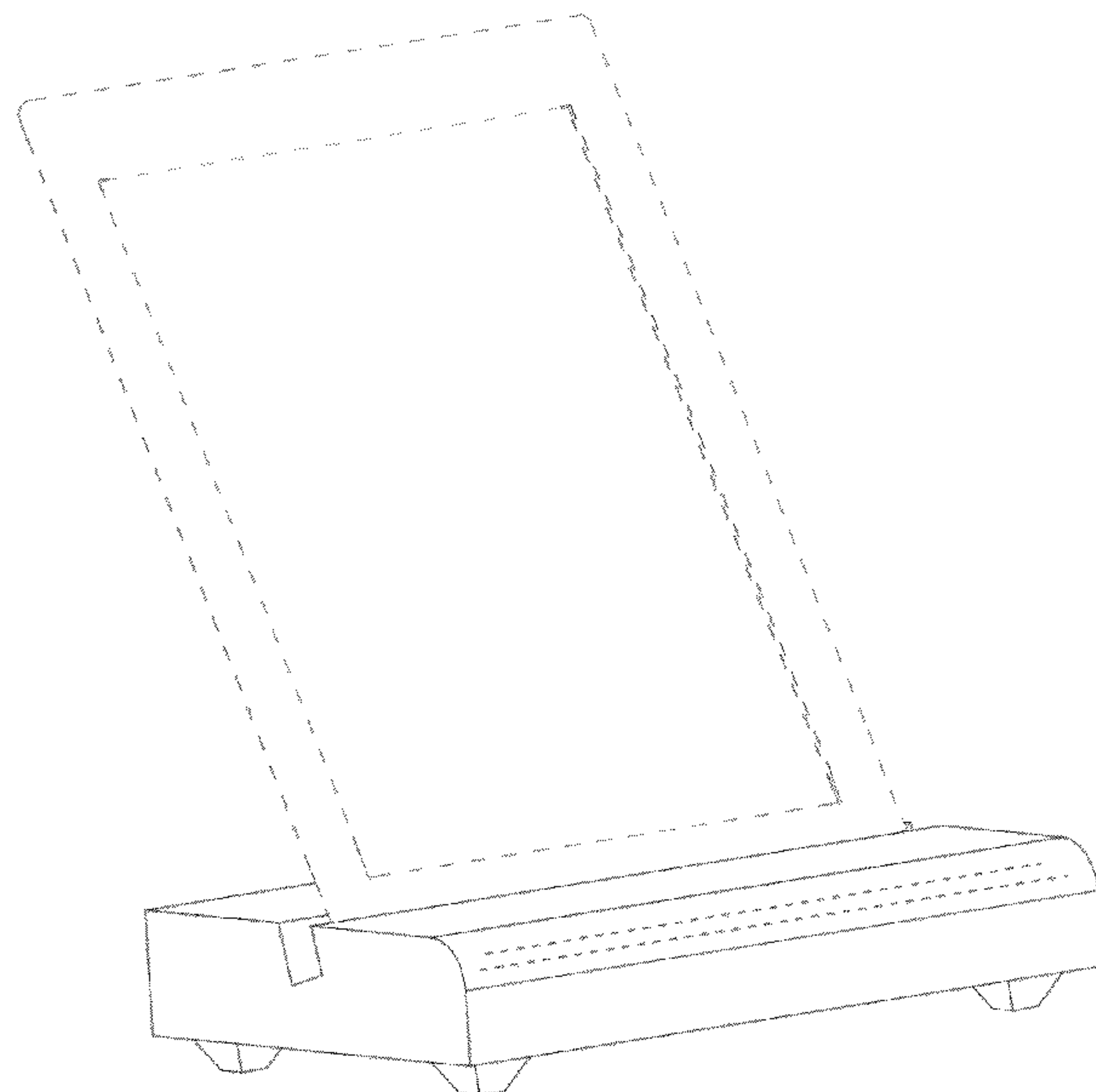
D592,187 S * 5/2009 Ledbetter et al. D14/217
D621,406 S * 8/2010 Hoehn et al. D14/447
D623,188 S * 9/2010 Son et al. D14/434
D636,395 S * 4/2011 Anderson et al. D14/434
D647,525 S * 10/2011 Seto D14/434
D648,325 S * 11/2011 Akana et al. D14/217
D661,309 S * 6/2012 Murrer et al. D14/447
D667,403 S * 9/2012 Maus D14/385
D668,662 S * 10/2012 Suiter D14/447
D672,350 S * 12/2012 Gioscia et al. D14/434
D672,355 S * 12/2012 Lee et al. D14/447

* cited by examiner
Primary Examiner — Angela J Lee
(74) *Attorney, Agent, or Firm* — Olive Law Group, PLLC

(57) **CLAIM**
I claim the ornamental design for an electronic device holder,
as shown and described.

DESCRIPTION
FIG. 1 is a perspective view of an electronic device holder receiving an electronic device;
FIG. 2 is a perspective view of an electronic device holder;
FIG. 3 is a left side view of an electronic device holder;
FIG. 4 is a right side view of an electronic device holder;
FIG. 5 is a front view of an electronic device holder;
FIG. 6 is a rear view of an electronic device holder;
FIG. 7 is a top view of an electronic device holder; and,
FIG. 8 is a bottom view of an electronic device holder.
The portions shown in broken lines form no part of the claimed design.

1 Claim, 8 Drawing Sheets



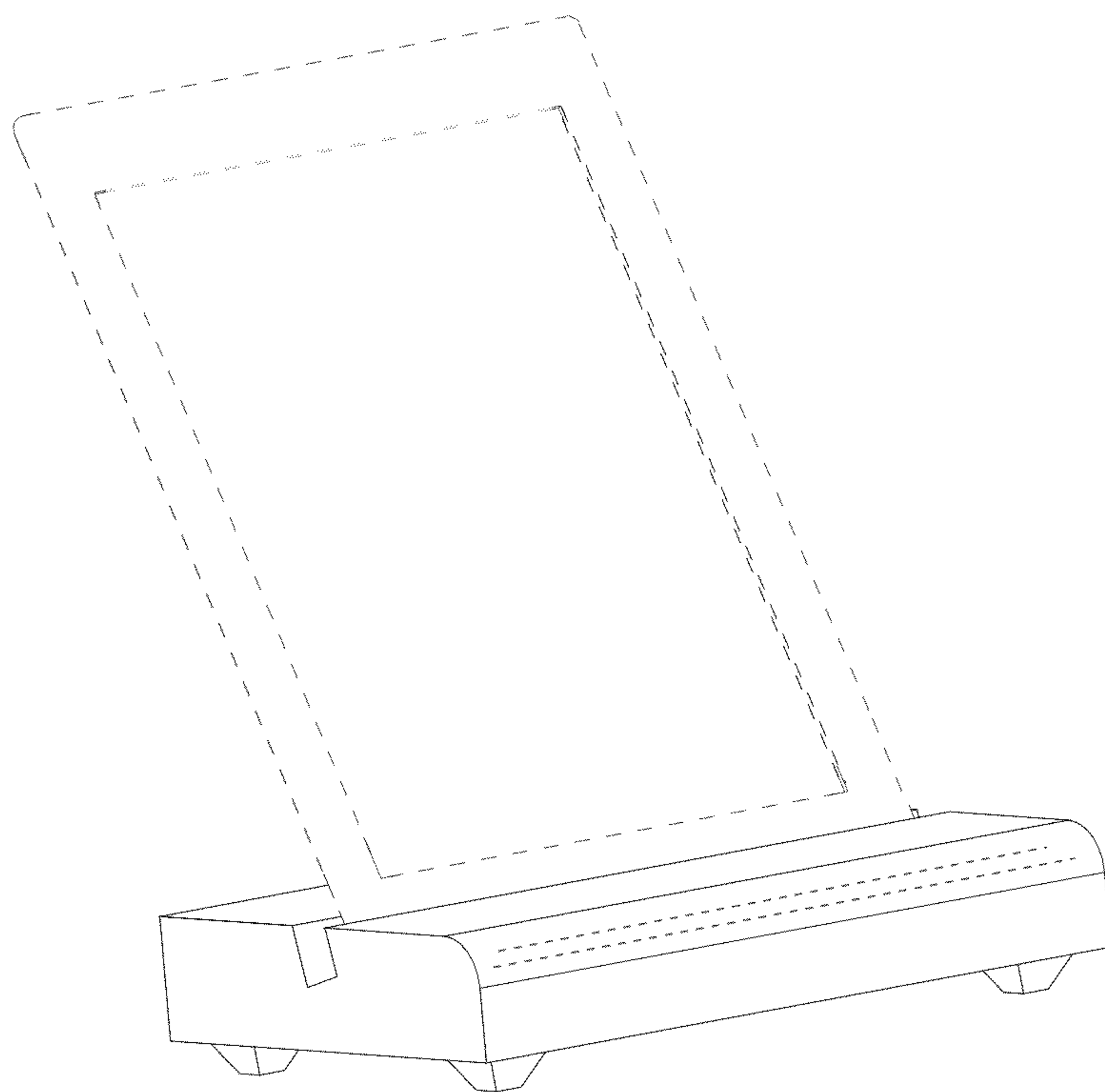


FIG. 1

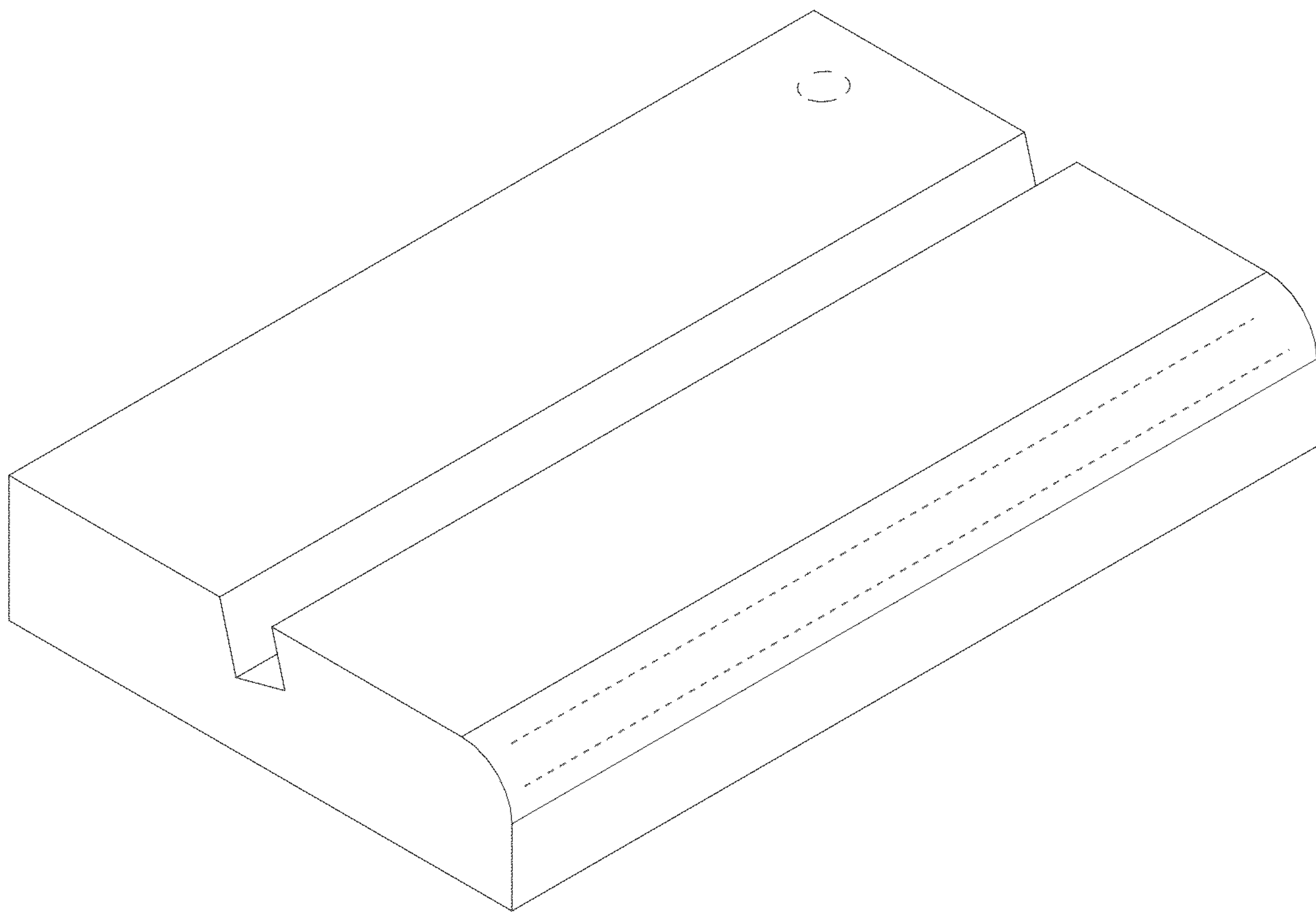


FIG. 2

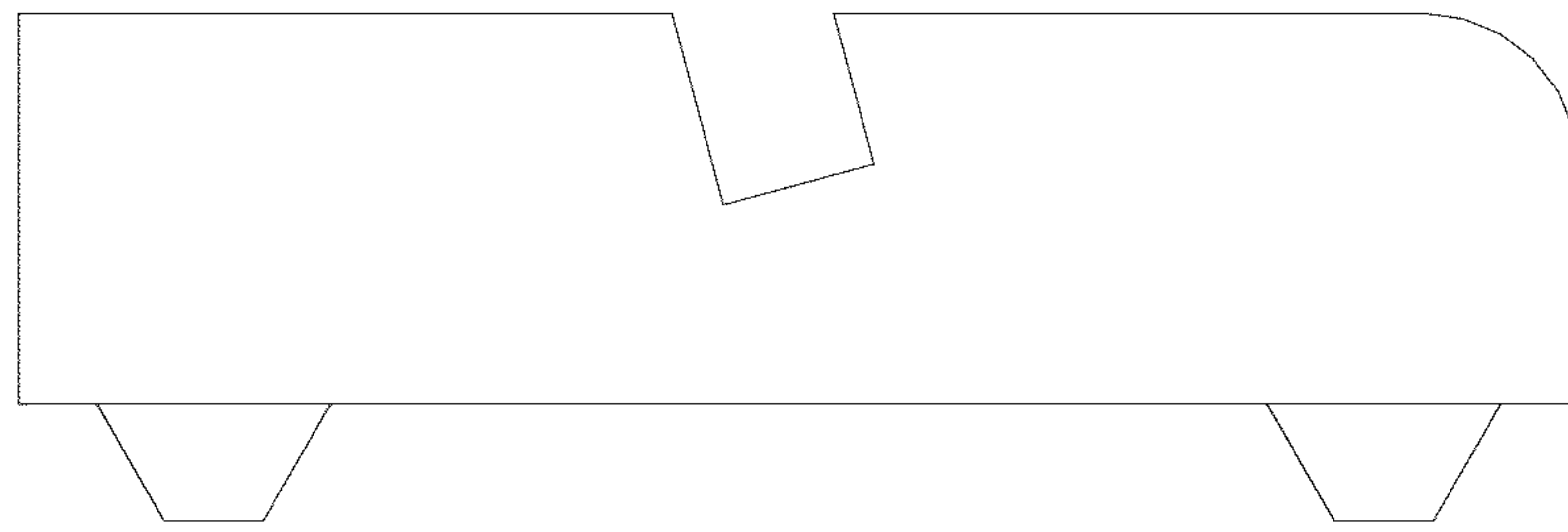


FIG. 3

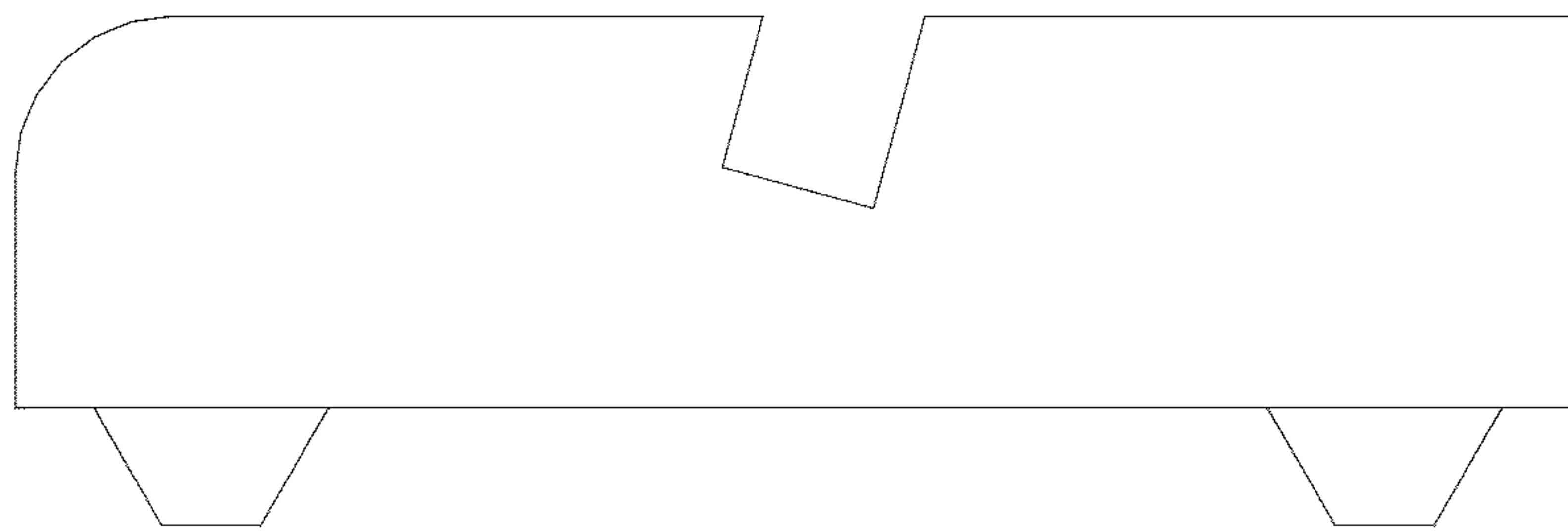


FIG. 4

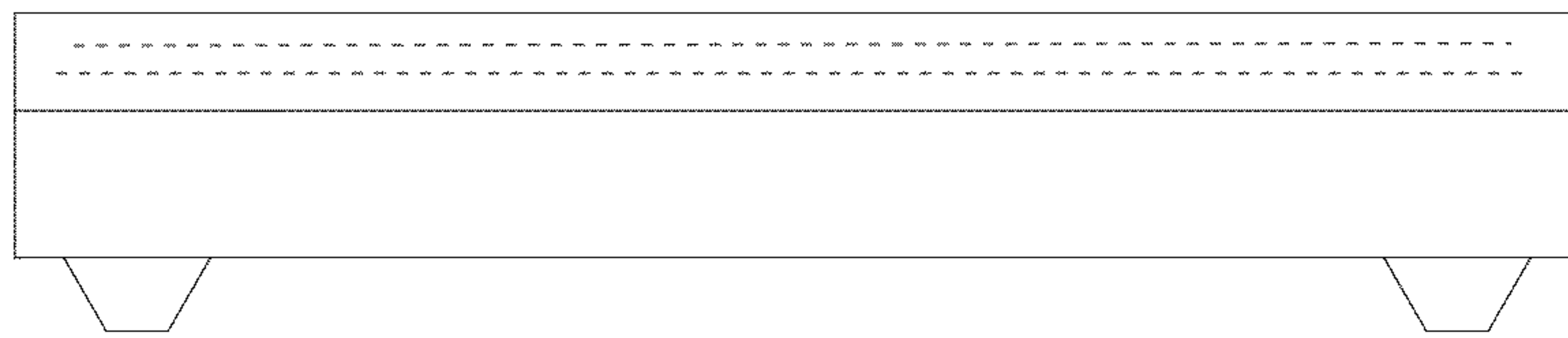


FIG. 5



FIG. 6

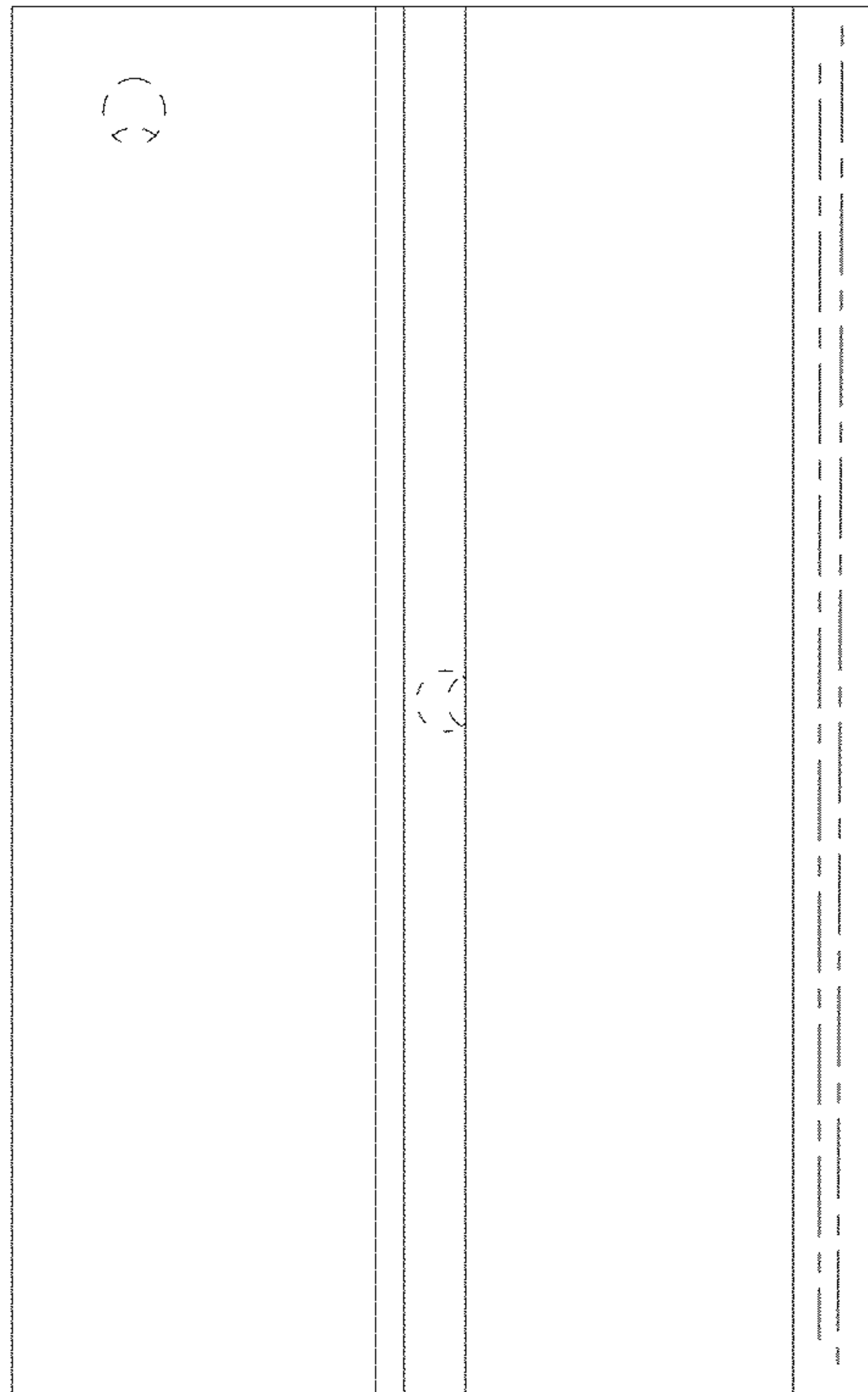


FIG. 7

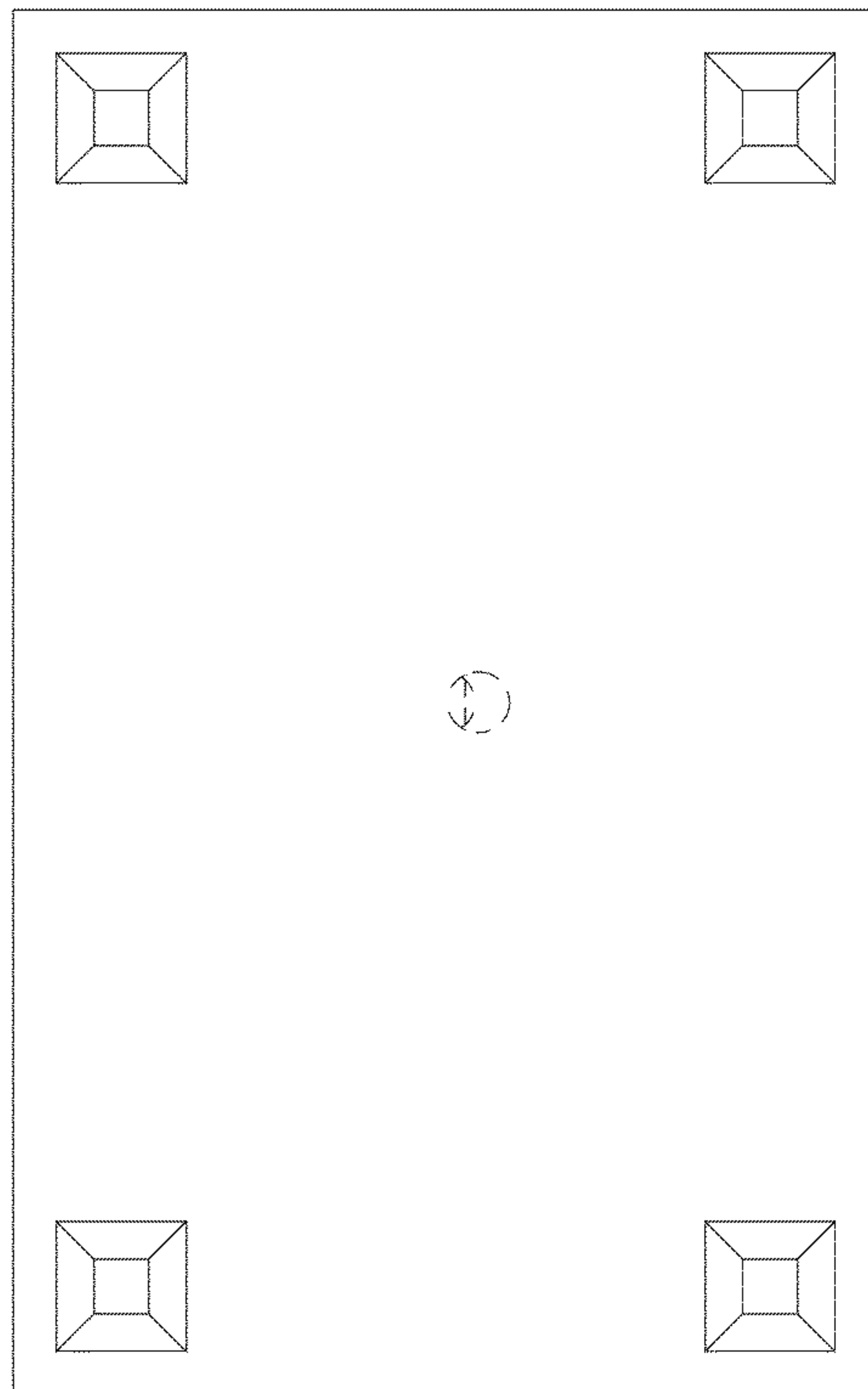


FIG. 8