



US00D700611S

(12) **United States Design Patent**
Boldetti et al.

(10) **Patent No.:** **US D700,611 S**
(45) **Date of Patent:** **** Mar. 4, 2014**

- (54) **CASE**
- (71) Applicant: **Samsonite IP Holdings S.a r.l.**,
Luxembourg (LU)
- (72) Inventors: **Massimiliano Boldetti**, Castronno (IT);
Corrado Vecellio, Padua (IT)
- (73) Assignee: **Samsonite IP Holdings S.a r.l.**,
Luxembourg (LU)
- (**) Term: **14 Years**
- (21) Appl. No.: **29/453,174**
- (22) Filed: **Apr. 25, 2013**
- (30) **Foreign Application Priority Data**

Nov. 14, 2012 (EM) 002136127-0005

- (51) **LOC (10) Cl.** **14-02**
- (52) **U.S. Cl.**
USPC **D14/440**
- (58) **Field of Classification Search**
USPC D14/250, 251, 253, 240, 217, 496, 440,
D14/203.3, 203.4, 203.5, 203.8, 341, 318,
D14/44, 439, 432; D3/218, 215, 201, 294,
D3/289, 900; 220/4.02; 248/309.1;
361/679.56; 379/426, 433.11, 455;
455/575.1, 575.8; 190/100; 206/305,
206/320; D21/469

See application file for complete search history.

(56) **References Cited**

U.S. PATENT DOCUMENTS

- 2,354,782 A * 8/1944 Stradling et al. 281/16
- D230,376 S * 2/1974 Andrew D19/91
- 4,259,568 A * 3/1981 Dynesen 235/1 D

- 4,703,160 A * 10/1987 Narishima et al. 235/1 D
- 4,718,550 A * 1/1988 Johnson 206/387.13
- D323,937 S * 2/1992 Solomon D3/299
- 5,375,076 A * 12/1994 Goodrich et al. 361/679.17
- 5,480,118 A * 1/1996 Cross 248/459
- D513,008 S * 12/2005 Takizawa et al. D14/447
- D524,051 S * 7/2006 Krueger D3/303
- 7,191,926 B1 * 3/2007 Costantino et al. 224/605
- 7,318,521 B2 * 1/2008 Lau 206/45.24
- D582,405 S * 12/2008 Andre et al. D3/299
- 7,542,052 B2 * 6/2009 Solomon et al. 345/659
- 7,561,415 B2 * 7/2009 Liou et al. 361/679.26
- D637,814 S * 5/2011 Akana et al. D3/303
- D641,348 S * 7/2011 Kim et al. D14/250
- D646,266 S * 10/2011 Kim et al. D14/250
- D657,354 S * 4/2012 Kim D14/250
- D658,877 S * 5/2012 Janus D3/301
- D659,139 S * 5/2012 Gengler D14/392
- D663,304 S * 7/2012 Akana et al. D14/440
- 8,230,992 B2 * 7/2012 Law et al. 206/320

(Continued)

OTHER PUBLICATIONS

U.S. Appl. No. 29/453,177, filed Apr. 25, 2013, Boldetti et al.

Primary Examiner — Cynthia Underwood

(74) *Attorney, Agent, or Firm* — Dorsey & Whitney LLP

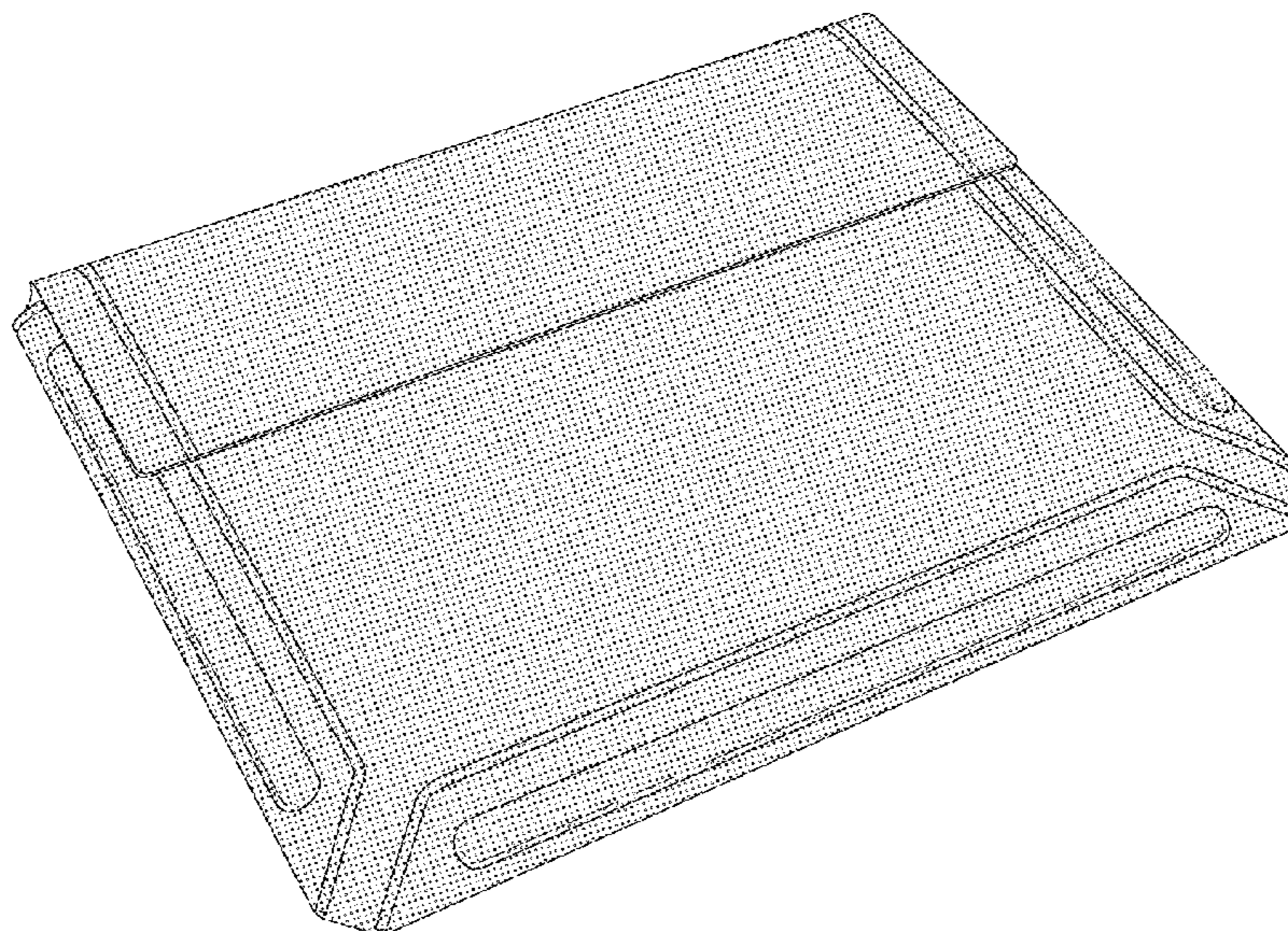
(57) **CLAIM**

The ornamental design for a case, as shown and described.

DESCRIPTION

FIG. 1 shows a front perspective view of a case;
 FIG. 2 shows a front view of the case of FIG. 1;
 FIG. 3 shows a rear view of the case of FIG. 1;
 FIG. 4 shows a left elevation view of the case of FIG. 1;
 FIG. 5 shows a right elevation view of the case of FIG. 1;
 FIG. 6 shows a top view of the case of FIG. 1; and,
 FIG. 7 shows a bottom view of the case of FIG. 1.

1 Claim, 5 Drawing Sheets



(56)

References Cited

U.S. PATENT DOCUMENTS

D665,812 S * 8/2012 Huang et al. D14/447
 8,235,208 B2 * 8/2012 Sirichai et al. 206/320
 D669,480 S * 10/2012 Piedra et al. D14/440
 D670,703 S * 11/2012 Hasbrook et al. D14/447
 D672,353 S * 12/2012 Liu D14/440
 D672,781 S * 12/2012 Lu D14/440
 D674,799 S * 1/2013 Kim D14/440
 D677,261 S * 3/2013 Hsu et al. D14/447
 D677,668 S * 3/2013 Phillips et al. D14/440
 D678,272 S * 3/2013 Groene et al. D14/345
 D679,279 S * 4/2013 Yang et al. D14/440

D681,041 S * 4/2013 Phillips et al. D14/440
 D693,823 S * 11/2013 Chen et al. D14/440
 D695,296 S * 12/2013 Hsu D14/440
 2001/0040561 A1 * 11/2001 Weinzierl et al. 345/169
 2004/0202858 A1 * 10/2004 Lee 428/332
 2009/0017883 A1 * 1/2009 Lin 455/575.8
 2010/0110625 A1 * 5/2010 Chen 361/679.02
 2010/0294909 A1 * 11/2010 Hauser et al. 248/456
 2010/0300909 A1 * 12/2010 Hung 206/320
 2012/0043231 A1 * 2/2012 Perrier et al. 206/216
 2012/0170212 A1 * 7/2012 Gallouzi et al. 361/679.56
 2012/0194448 A1 * 8/2012 Rothkopf 345/173
 2012/0211613 A1 * 8/2012 Yang et al. 248/174

* cited by examiner

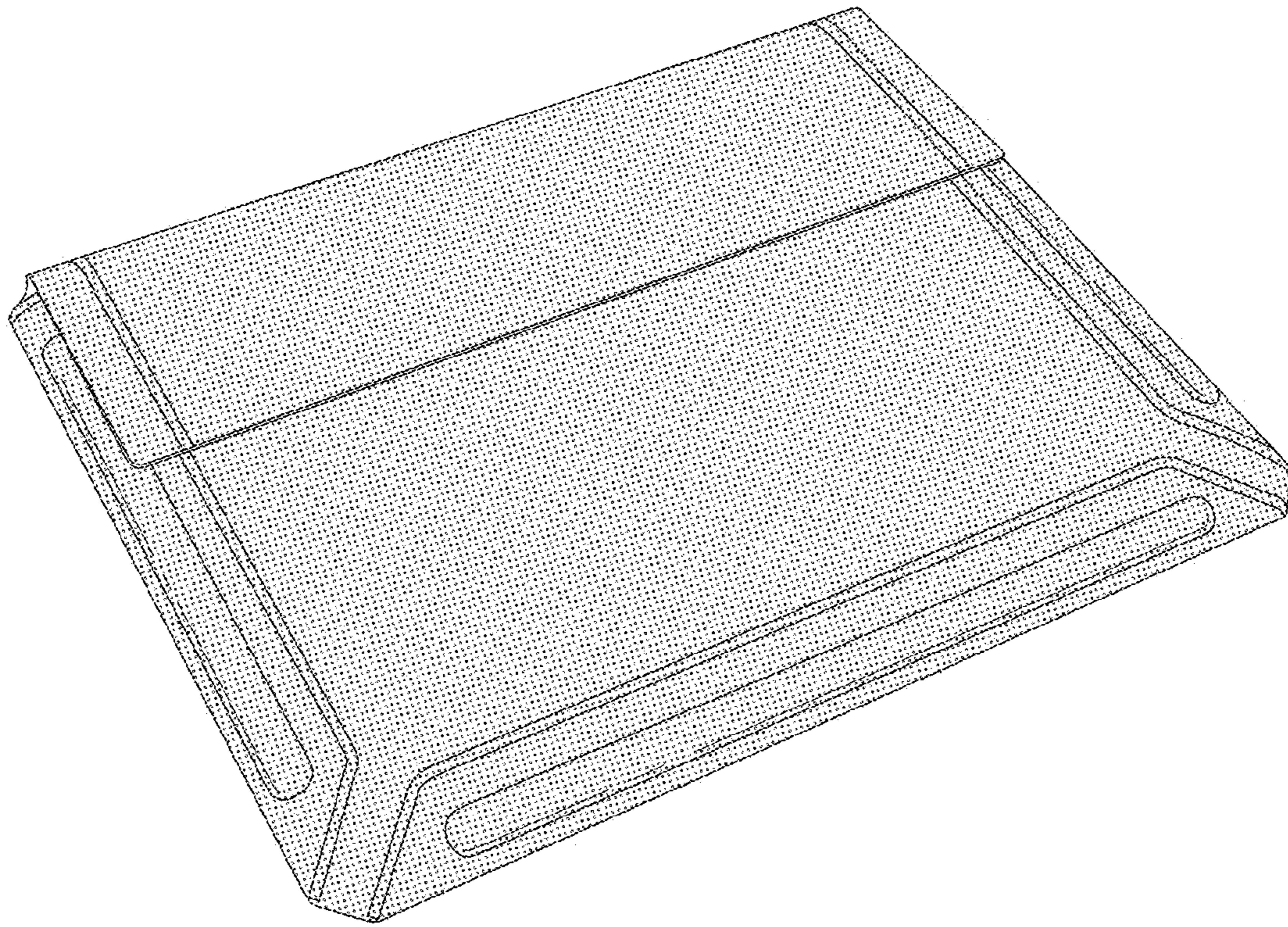


FIG. 1

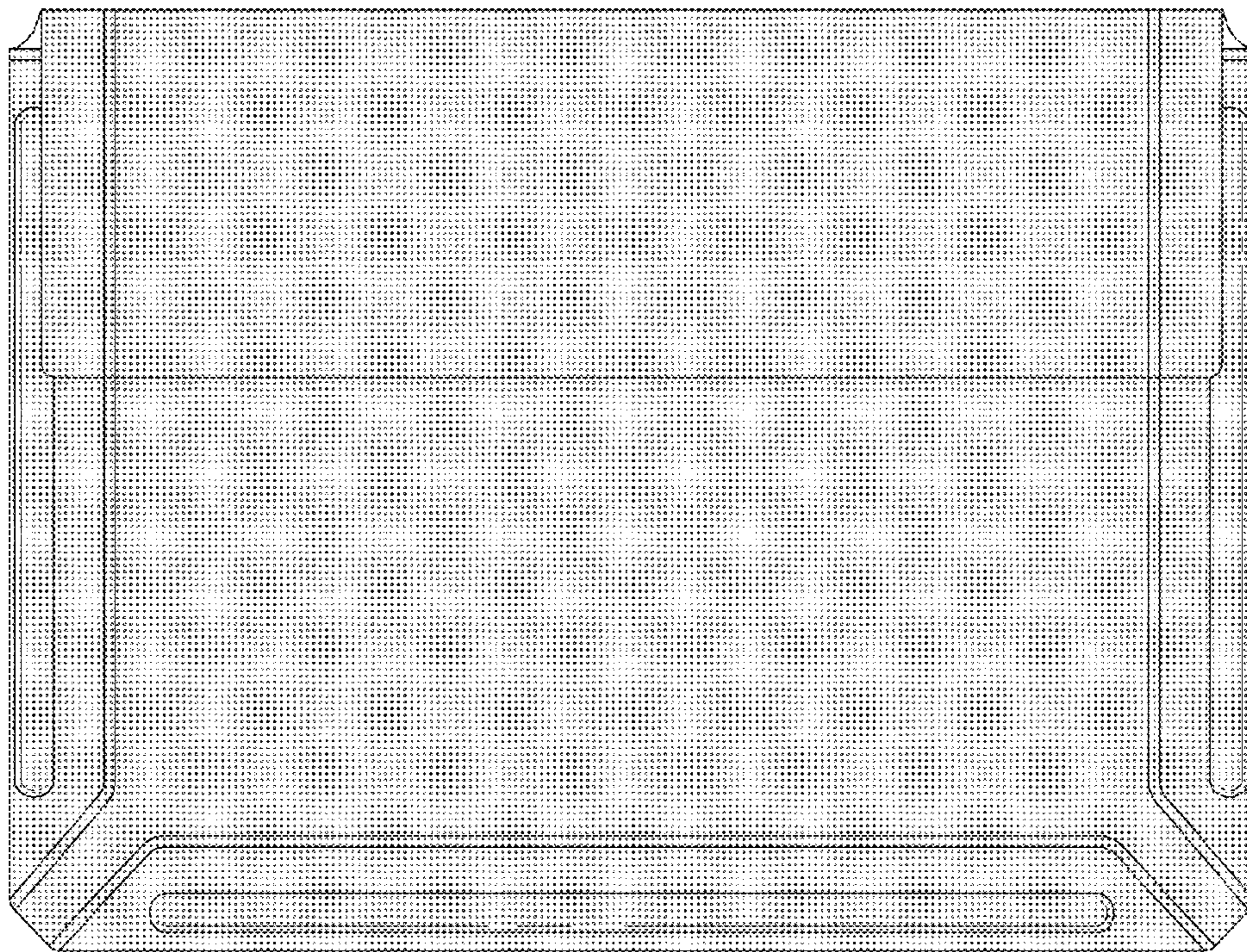


FIG. 2

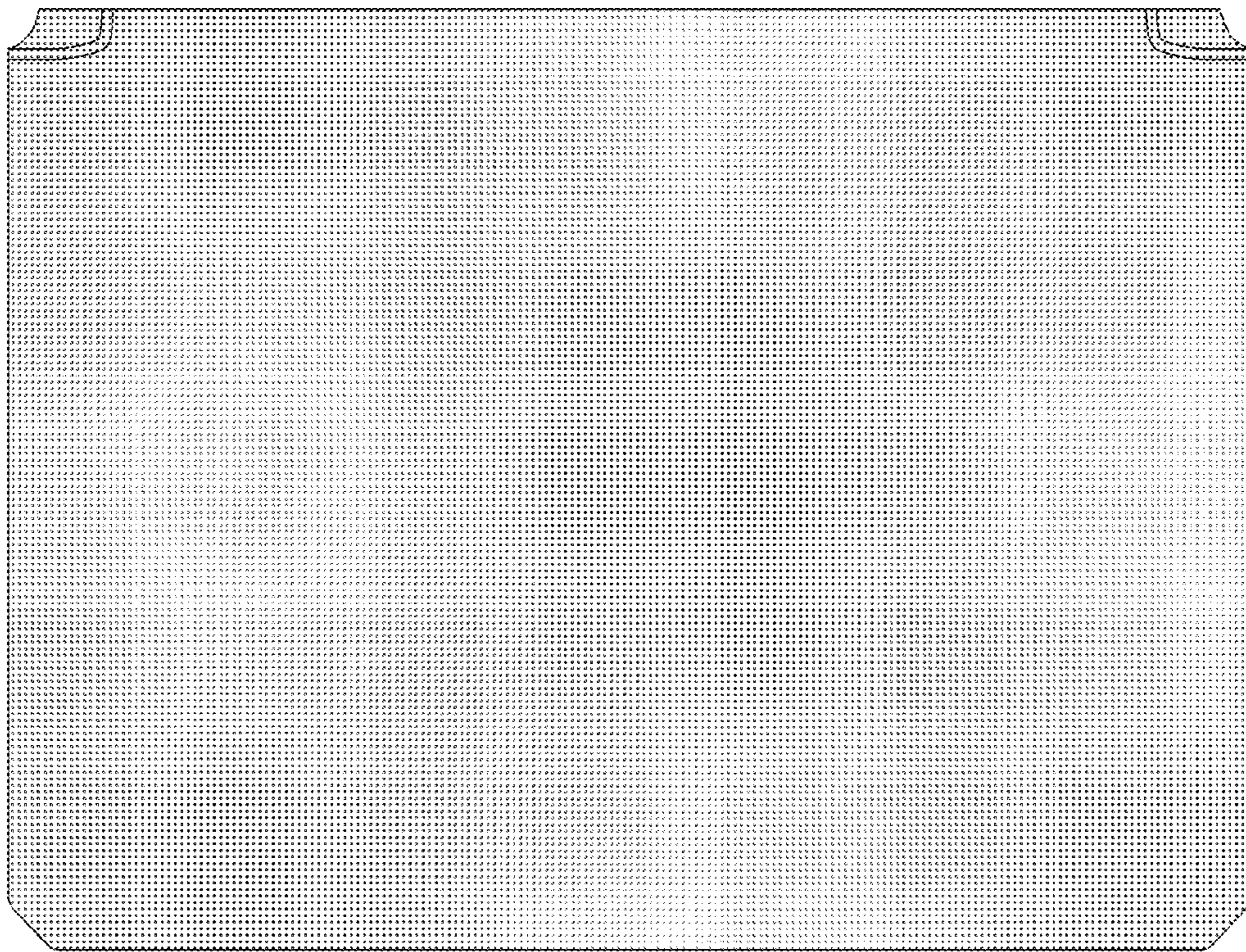


FIG. 3

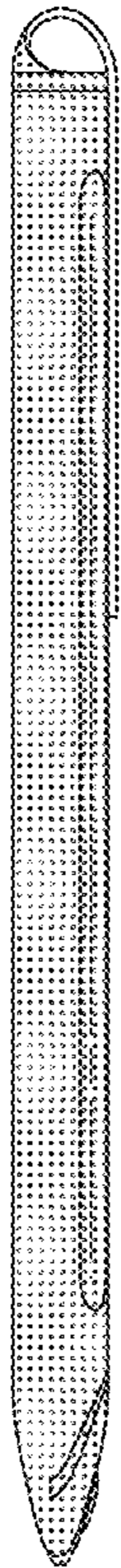


FIG. 4

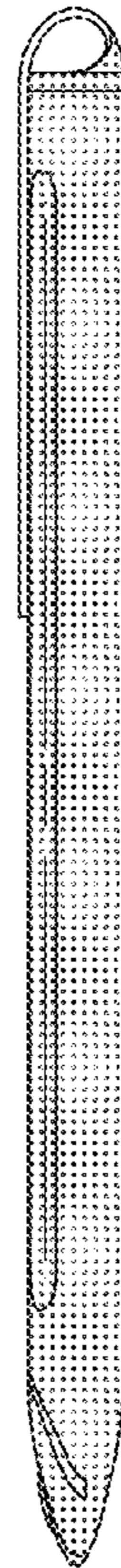


FIG. 5



FIG. 6



FIG. 7