



US00D700609S

(12) **United States Design Patent**
Sugitani et al.

(10) **Patent No.:** **US D700,609 S**
(45) **Date of Patent:** **** Mar. 4, 2014**

(54) **SCANNER**

(75) Inventors: **Minoru Sugitani**, Kahoku (JP); **Satoshi Kuroda**, Kahoku (JP); **Masaaki Yamashita**, Kahoku (JP)

(73) Assignee: **PFU Limited**, Kahoku-shi, Ishikawa (JP)

(**) Term: **14 Years**

(21) Appl. No.: **29/426,076**

(22) Filed: **Jun. 29, 2012**

Related U.S. Application Data

(63) Continuation of application No. 29/404,709, filed on Oct. 25, 2011, now Pat. No. Des. 673,155.

(30) **Foreign Application Priority Data**

Jun. 16, 2011 (JP) 2011-13631

(51) **LOC (10) Cl.** **14-02**

(52) **U.S. Cl.**
USPC **D14/423; D14/453**

(58) **Field of Classification Search**
USPC D14/420-425; D16/232, 229, 235, 221, D16/135; D18/36; 353/115, 119, 122, 353/DIG. 3, DIG. 4; 396/155, 133, 86; 358/474-498; 348/370, 373, 376, 374, 348/375; 248/187.1, 593, 276.1, 281.11; D26/63, 65, 64, 62, 135, 61, 107, 109, D26/51; D32/22-33

See application file for complete search history.

(56) **References Cited**

U.S. PATENT DOCUMENTS

D79,072 S 7/1929 Green
D99,030 S 3/1936 Jackson

D125,003 S 2/1941 Rogers
D127,488 S 5/1941 Livers
D146,116 S 12/1946 Masterson
D150,404 S 8/1948 Coen
D150,940 S 9/1948 Goebel
D151,605 S 11/1948 Dolan
D162,639 S 3/1951 Fiori
D164,668 S 10/1951 Carrithers
D173,535 S 11/1954 Mugnai
D176,550 S 1/1956 Mugnai
D188,506 S 8/1960 Bobrick
D191,851 S 11/1961 Lazor
D192,645 S 4/1962 Bodian
D194,995 S 4/1963 Hoogesteger
D207,063 S 2/1967 Sovatsky
D207,597 S 5/1967 Bodian
D209,079 S 10/1967 Andre
D214,191 S 5/1969 Rudd
D215,480 S 10/1969 Froelich et al.

(Continued)

Primary Examiner — Susan Moon Lee

(74) *Attorney, Agent, or Firm* — RatnerPrestia

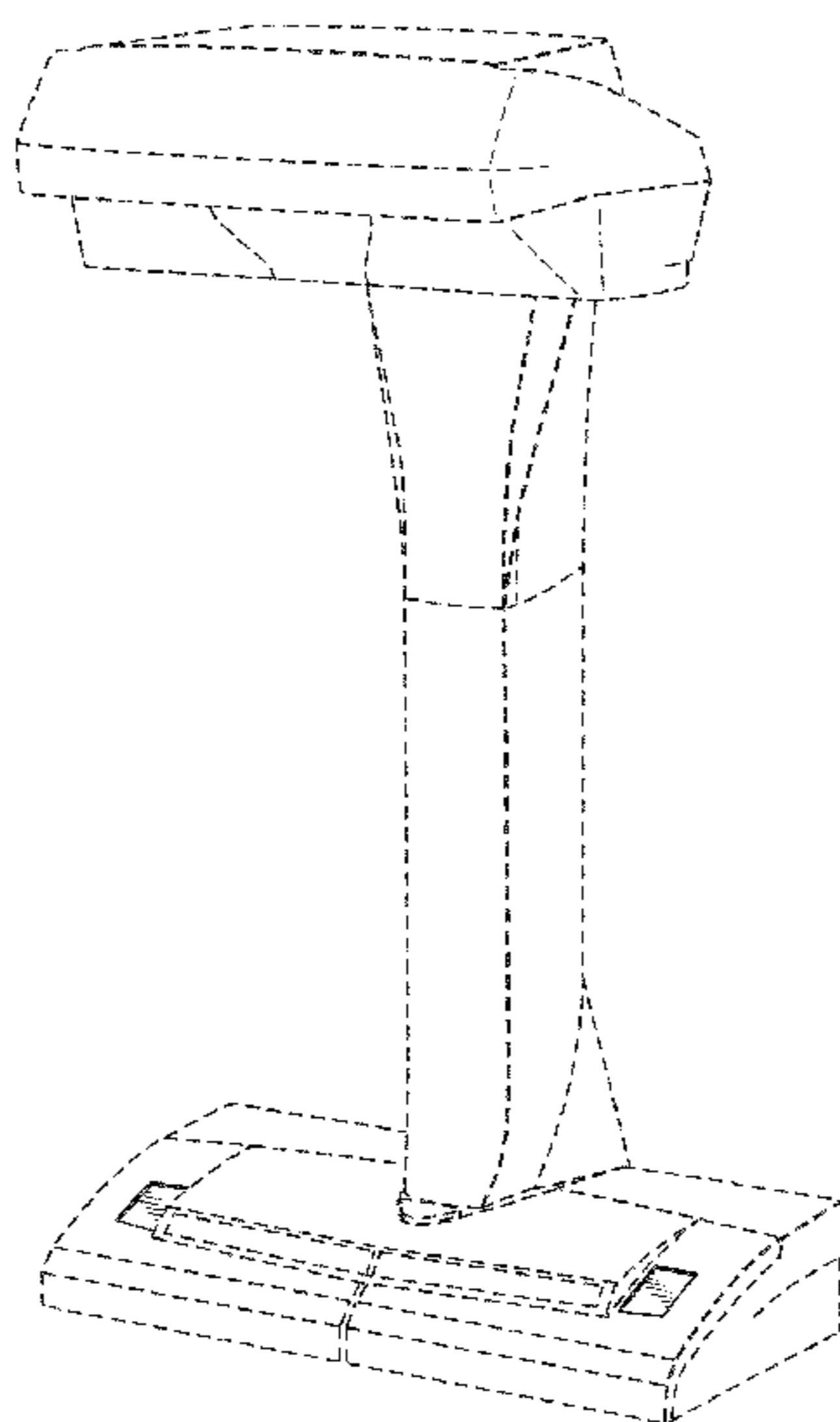
(57) **CLAIM**

The ornamental design for a scanner, as shown and described.

DESCRIPTION

FIG. 1 is a front perspective view of a scanner showing our new design;
FIG. 2 is a front view thereof;
FIG. 3 is a left side view thereof;
FIG. 4 is a top plan view thereof;
FIG. 5 is a bottom plan view thereof;
FIG. 6 is an enlarged fragmentary perspective view of FIG. 1; and,
FIG. 7 is an enlarged fragmentary front view of FIG. 2.
Any material in the priority application which is not present herein forms no part of the claimed design.
Broken lines and unshaded portions contained within broken lines are not claimed.

1 Claim, 3 Drawing Sheets



(56)

References Cited

U.S. PATENT DOCUMENTS

D216,912 S	3/1970	Daito	
D243,549 S	3/1977	Neveux	
D262,708 S *	1/1982	Essex	D32/21
4,392,271 A *	7/1983	Sepke	15/339
D277,517 S *	2/1985	Wiese et al.	D32/22
D278,348 S	4/1985	Horgan	
D278,937 S	5/1985	Peeler	
4,545,794 A *	10/1985	Himukai	55/362
D284,087 S	6/1986	Haidinger	
D284,310 S	6/1986	Schaffer	
D285,120 S	8/1986	Krogstrup	
D286,082 S	10/1986	Shwisha	
D293,135 S	12/1987	Medema	
D293,940 S	1/1988	Lasker	
D296,328 S	6/1988	Austin	
4,757,574 A *	7/1988	Sumerau	15/324
D301,633 S	6/1989	Shwisha	
D301,648 S *	6/1989	Kieft	D32/22
D302,683 S	8/1989	Iwasaki	
D304,242 S	10/1989	Strater	
D305,228 S	12/1989	Allgeier	
4,905,341 A *	3/1990	Sunagawa et al.	15/323
D307,577 S *	5/1990	Abe et al.	D13/162.1
D309,661 S	7/1990	Shwisha	
4,955,103 A *	9/1990	Scott et al.	15/319
4,958,913 A	9/1990	Schaffer	
D312,337 S *	11/1990	Jones et al.	D32/22
D313,879 S *	1/1991	Ito	D32/22
D314,260 S *	1/1991	Lee	D32/22
D316,167 S *	4/1991	Petralia et al.	D32/22
5,008,973 A *	4/1991	Worwag	15/416
5,020,186 A *	6/1991	Lessig et al.	15/339
D319,889 S	9/1991	Lu	
D321,951 S	11/1991	Dieperink	
D325,027 S	3/1992	Wallace	
D325,102 S	3/1992	Ramond	
D325,657 S *	4/1992	Brewin	D32/22
D326,006 S *	5/1992	Moine	D32/32
D326,334 S	5/1992	Meyer	
D326,335 S	5/1992	Meyer	
D326,938 S *	6/1992	Burns	D32/32
D328,358 S	7/1992	Tsang	
D328,909 S	8/1992	Sakurai	
D331,987 S	12/1992	Dieperink	
D334,759 S	4/1993	Meyer	
5,222,276 A *	6/1993	Glenn, III	15/333
D337,842 S	7/1993	Yuen	
D339,649 S	9/1993	Klossner	
5,247,720 A *	9/1993	Sovis et al.	15/334
D341,354 S *	11/1993	Holterman	D13/162.1
D341,672 S	11/1993	Yuen	
D341,673 S	11/1993	Yuen	
D342,591 S *	12/1993	Shoji et al.	D32/22
D343,033 S *	1/1994	Shoji	D32/22
D343,483 S *	1/1994	Hoshino	D32/33
D343,707 S *	1/1994	Dyson	D32/22
D348,742 S	7/1994	Rorke	
5,355,549 A *	10/1994	Steinberg et al.	15/334
D352,809 S *	11/1994	Reath	D32/33
D354,379 S *	1/1995	Shinozaki	D32/22
D356,390 S	3/1995	Gismondi	
D356,876 S	3/1995	Waldmann	
D358,242 S *	5/1995	McKnight	D32/32
D358,631 S *	5/1995	Conner	D32/22
5,416,948 A *	5/1995	Worwag	15/331
5,467,501 A *	11/1995	Sepke	15/324
D369,353 S	4/1996	Hofmann-Igl	
D375,820 S *	11/1996	Piccaluga et al.	D32/22
D377,990 S	2/1997	Nakano	
D377,993 S	2/1997	Herst	
5,615,448 A *	4/1997	Crouser et al.	15/321
D382,681 S *	8/1997	Thomas	D32/22
D383,574 S *	9/1997	Saimen et al.	D32/22
D385,072 S *	10/1997	Bradd	D32/32
D386,157 S	11/1997	Hasegawa	
D388,107 S	12/1997	Huckins	
D393,112 S *	3/1998	Essex et al.	D32/31
D394,727 S	5/1998	Larkin	
5,764,379 A *	6/1998	Matsuda et al.	358/474
D396,905 S *	8/1998	Bradd	D32/32
D408,092 S	4/1999	Schaak	
D411,520 S	6/1999	Iwakawa	
D411,833 S	7/1999	Iwakawa	
D414,578 S	9/1999	Chen	
5,969,795 A *	10/1999	Honda	355/25
D416,115 S *	11/1999	Rohn et al.	D32/32
5,978,102 A *	11/1999	Matsuda	358/474
5,983,442 A *	11/1999	Louis et al.	15/320
D417,533 S *	12/1999	Burchard et al.	D32/22
D419,170 S	1/2000	Ono	
D419,730 S *	1/2000	Diebel et al.	D32/22
6,029,313 A *	2/2000	O'Dea et al.	15/391
D424,259 S *	5/2000	Rohn et al.	D32/32
D428,539 S *	7/2000	Embree et al.	D32/22
D431,098 S *	9/2000	Saunders et al.	D32/32
D431,334 S *	9/2000	Stephens et al.	D32/32
D431,887 S *	10/2000	Bradd et al.	D32/33
6,192,550 B1 *	2/2001	Hamada et al.	15/352
D440,018 S *	4/2001	Oh	D32/22
D443,004 S *	5/2001	Chan	D21/526
D443,093 S	5/2001	Chiang	
D445,923 S *	7/2001	Bradd	D26/28
6,253,414 B1 *	7/2001	Bradd et al.	15/320
D455,530 S *	4/2002	Fujii	D32/22
6,363,570 B2 *	4/2002	Kasper et al.	15/320
D456,967 S *	5/2002	Santiago	D32/32
D462,813 S *	9/2002	Nakano et al.	D32/22
D463,078 S *	9/2002	Harada	D32/22
D463,635 S *	9/2002	Wareham	D32/32
D476,346 S	6/2003	Fujii	
D478,682 S	8/2003	Abry	
6,609,269 B2 *	8/2003	Kasper	15/320
D480,847 S *	10/2003	Fujii	D32/22
D481,180 S *	10/2003	Fujii	D32/22
6,672,735 B2 *	1/2004	Dilger et al.	362/91
6,779,229 B2 *	8/2004	Lee et al.	15/329
D499,220 S *	11/2004	Kim	D32/22
D501,965 S *	2/2005	Ikeno et al.	D32/22
6,859,975 B2 *	3/2005	Ohta et al.	15/347
6,863,702 B2 *	3/2005	Sepke et al.	55/337
D506,048 S *	6/2005	Downey et al.	D32/32
6,910,245 B2 *	6/2005	Hawkins et al.	15/339
D507,542 S *	7/2005	Chiang	D13/162.1
D509,632 S *	9/2005	Shin	D32/22
D510,072 S *	9/2005	Butler et al.	D13/164
D510,073 S *	9/2005	Jacoby et al.	D13/164
D510,465 S *	10/2005	Takahashi et al.	D32/22
D515,259 S *	2/2006	Maruyama et al.	D32/22
D515,754 S *	2/2006	Kaido et al.	D32/22
D516,760 S *	3/2006	Choi	D32/22
D522,159 S	5/2006	Chan	
D524,002 S *	6/2006	Worwag	D32/32
D532,943 S *	11/2006	Haranaka	D32/22
D533,696 S *	12/2006	Ikeno et al.	D32/22
7,163,568 B2 *	1/2007	Sepke et al.	55/337
D536,493 S *	2/2007	Porter et al.	D32/31
D536,494 S *	2/2007	Porter et al.	D32/31
D536,495 S *	2/2007	Porter et al.	D32/32
D537,585 S *	2/2007	Kim	D32/22
7,222,392 B2 *	5/2007	McCormick et al.	15/353
D544,008 S	6/2007	Stewart	
7,281,298 B2 *	10/2007	Joung et al.	15/410
D556,401 S *	11/2007	Lee	D32/22
D556,964 S *	12/2007	Song et al.	D32/32
D559,431 S	1/2008	Mota Veiga	
D562,509 S *	2/2008	Lee	D32/22
7,334,290 B2 *	2/2008	Hawkins et al.	15/352
D564,117 S	3/2008	Lippert	
D566,355 S *	4/2008	Paredes et al.	D32/32
D573,759 S *	7/2008	Konno et al.	D32/22
D581,077 S	11/2008	Levine	
D581,570 S	11/2008	Levine	
7,533,442 B2 *	5/2009	Morgan et al.	15/354
7,547,340 B2 *	6/2009	Park	55/429

(56)

References Cited

U.S. PATENT DOCUMENTS

D600,385	S	9/2009	Lippert				
7,588,610	B2 *	9/2009	Yoshida et al.	55/309			
D607,160	S *	12/2009	Yu et al.	D32/22			
D608,301	S *	1/2010	Clark et al.	D13/162			
D608,512	S *	1/2010	Catron	D32/22			
D612,556	S *	3/2010	Catron	D32/22			
7,694,384	B2 *	4/2010	Park et al.	15/352			
D618,406	S *	6/2010	Ott	D32/3			
7,739,772	B2 *	6/2010	Park	15/323			
7,740,675	B2 *	6/2010	Conrad	55/345			
D621,564	S *	8/2010	Kaffenberger	D32/32			
D621,981	S *	8/2010	McAtamney				
7,779,507	B2 *	8/2010	Jung et al.	15/353			
D625,450	S	10/2010	Rosenkrantz				
D629,167	S *	12/2010	Kim	D32/22			
7,870,638	B2 *	1/2011	Jansen	15/320			
D642,346	S *	7/2011	Luyckx et al.	D32/32			
D643,077	S *	8/2011	Olason et al.	D21/696			
8,015,659	B2 *	9/2011	Conrad et al.	15/347			
D646,856	S *	10/2011	Breit et al.	D32/22			
D646,858	S *	10/2011	Smith	D32/22			
D651,777	S *	1/2012	Dammkoehler	D32/22			
D652,589	S *	1/2012	Lee	D32/22			
D654,641	S *	2/2012	Morgan et al.	D32/22			
8,152,877	B2 *	4/2012	Greene	55/337			
8,214,966	B2 *	7/2012	Steffen et al.	15/339			
D666,727	S *	9/2012	Held	D24/186			
D668,407	S *	10/2012	Bosses	D32/22			
D670,466	S *	11/2012	Cho et al.	D32/22			
D671,283	S *	11/2012	Paterson	D32/22			
D671,697	S *	11/2012	Kim et al.	D32/22			
D675,998	S *	2/2013	Pointner et al.	D13/164			
8,365,347	B2 *	2/2013	Morgan et al.	15/320			
8,370,991	B2 *	2/2013	Paliobeis et al.	15/320			
8,375,508	B2 *	2/2013	Conrad	15/345			
D680,286	S *	4/2013	Gray et al.	D32/22			
D683,089	S *	5/2013	Paterson	D32/22			
D683,508	S *	5/2013	Paterson	D32/33			
D683,919	S *	6/2013	Luedke et al.	D32/32			
D684,326	S *	6/2013	Okabe et al.	D32/22			
D688,014	S *	8/2013	Santiago et al.	D32/32			
8,503,045	B2 *	8/2013	Kubo et al.	358/474			
8,528,163	B2 *	9/2013	Park et al.	15/352			
8,533,903	B2 *	9/2013	Muhlenkamp et al.	15/352			
2003/0037402	A1 *	2/2003	Paterson et al.	15/323			
2003/0066156	A1 *	4/2003	Yang	15/327.2			
2005/0198770	A1 *	9/2005	Jung et al.	15/353			
2007/0266678	A1 *	11/2007	Makarov et al.	55/337			
2008/0052870	A1 *	3/2008	Lee et al.	15/350			
2009/0178233	A1 *	7/2009	Yoo	15/350			
2009/0266382	A1 *	10/2009	Hwang et al.	134/21			
2010/0199457	A1 *	8/2010	Park et al.	15/347			
2011/0119863	A1 *	5/2011	Ha et al.	15/412			
2011/0219580	A1 *	9/2011	Conrad	15/410			
2011/0299136	A1	12/2011	Kubo				
2013/0007982	A1 *	1/2013	Yun	15/347			

* cited by examiner

FIG. 1

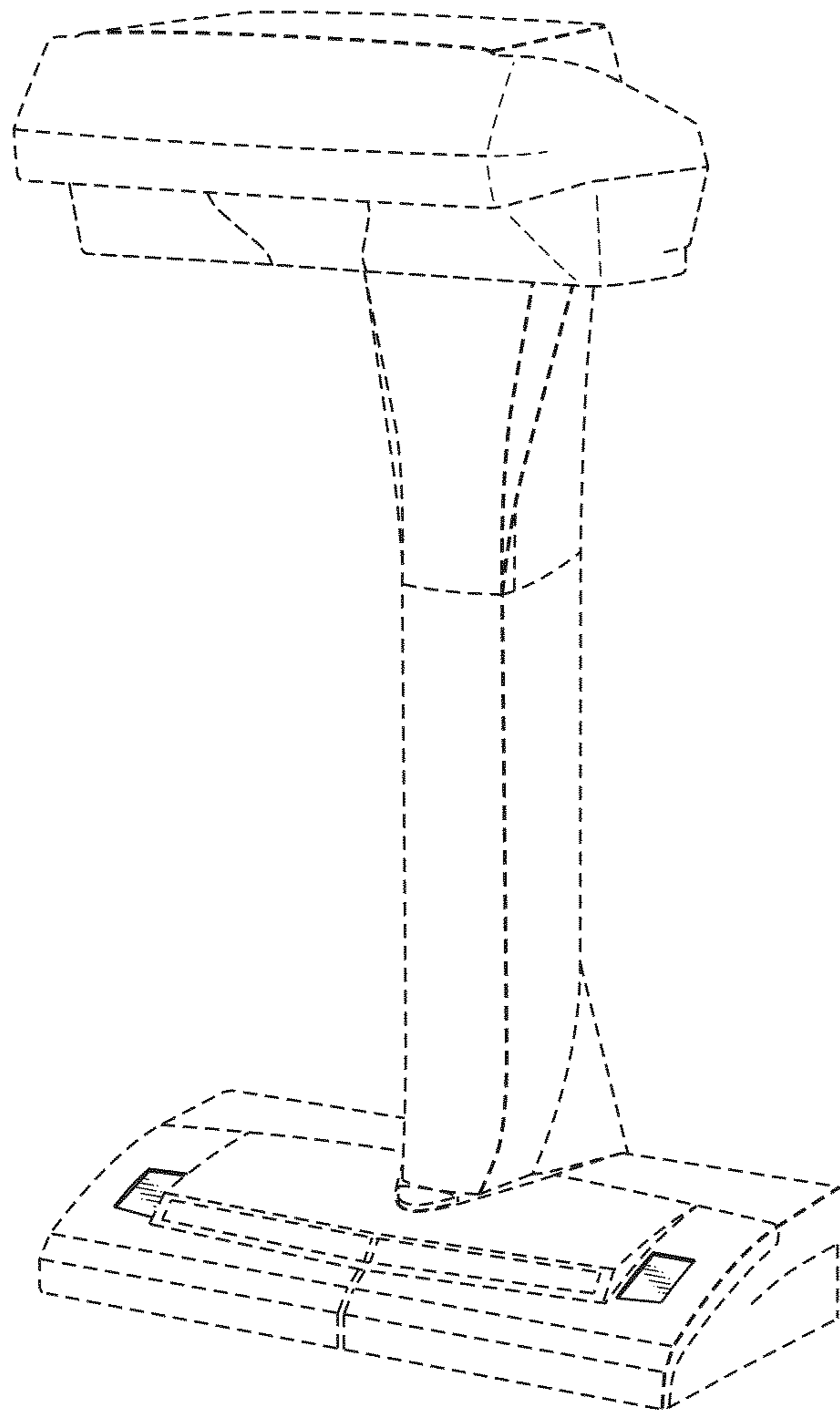


FIG.2

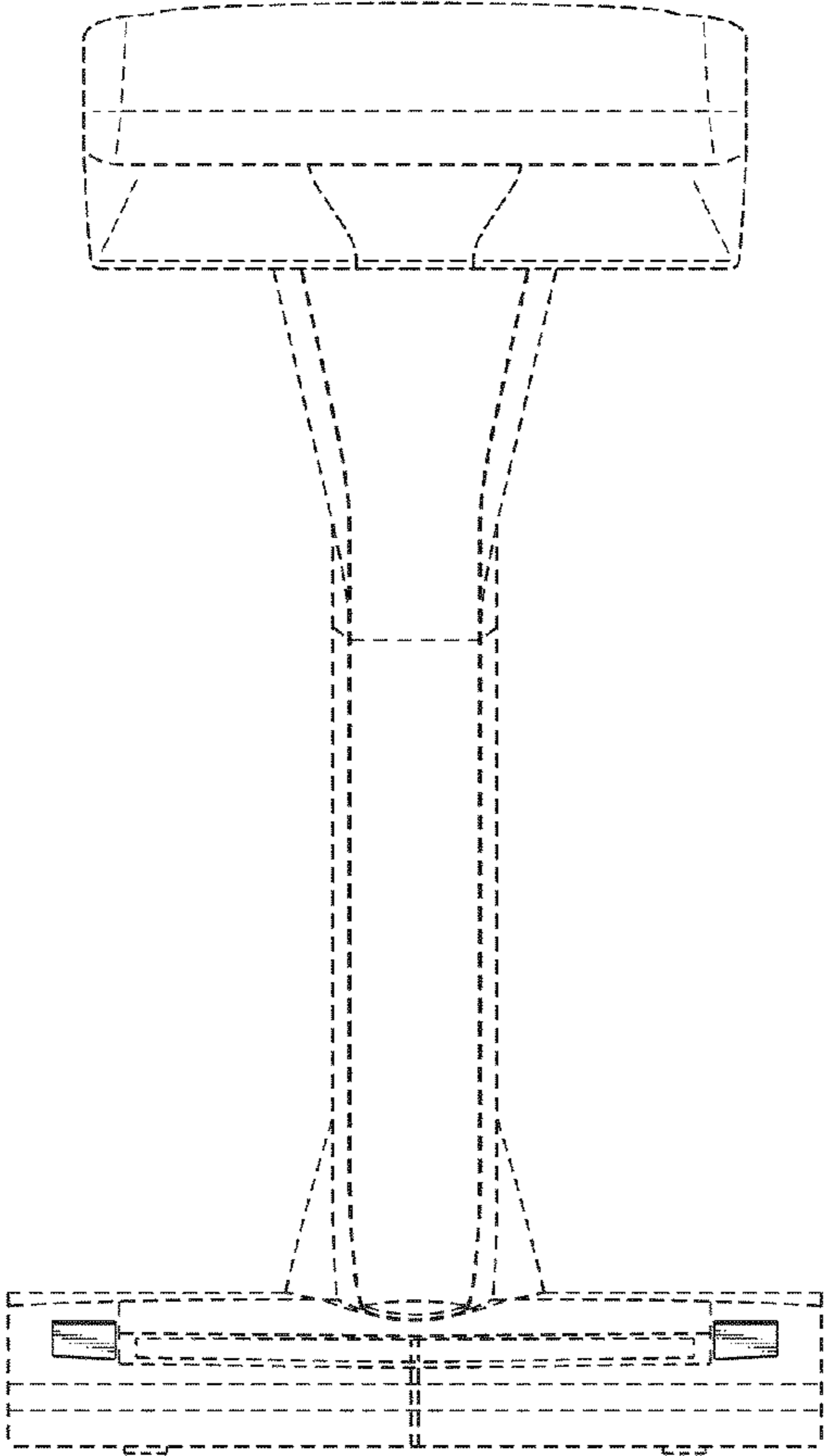


FIG.3

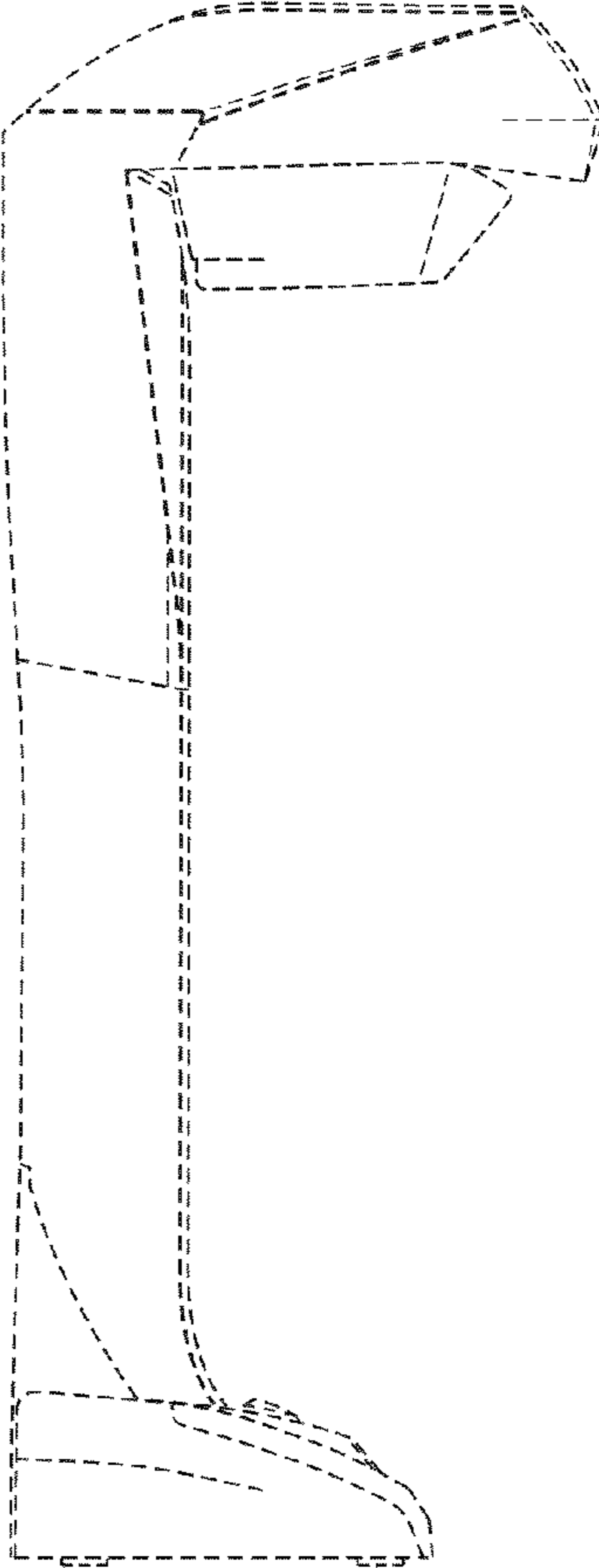


FIG.4

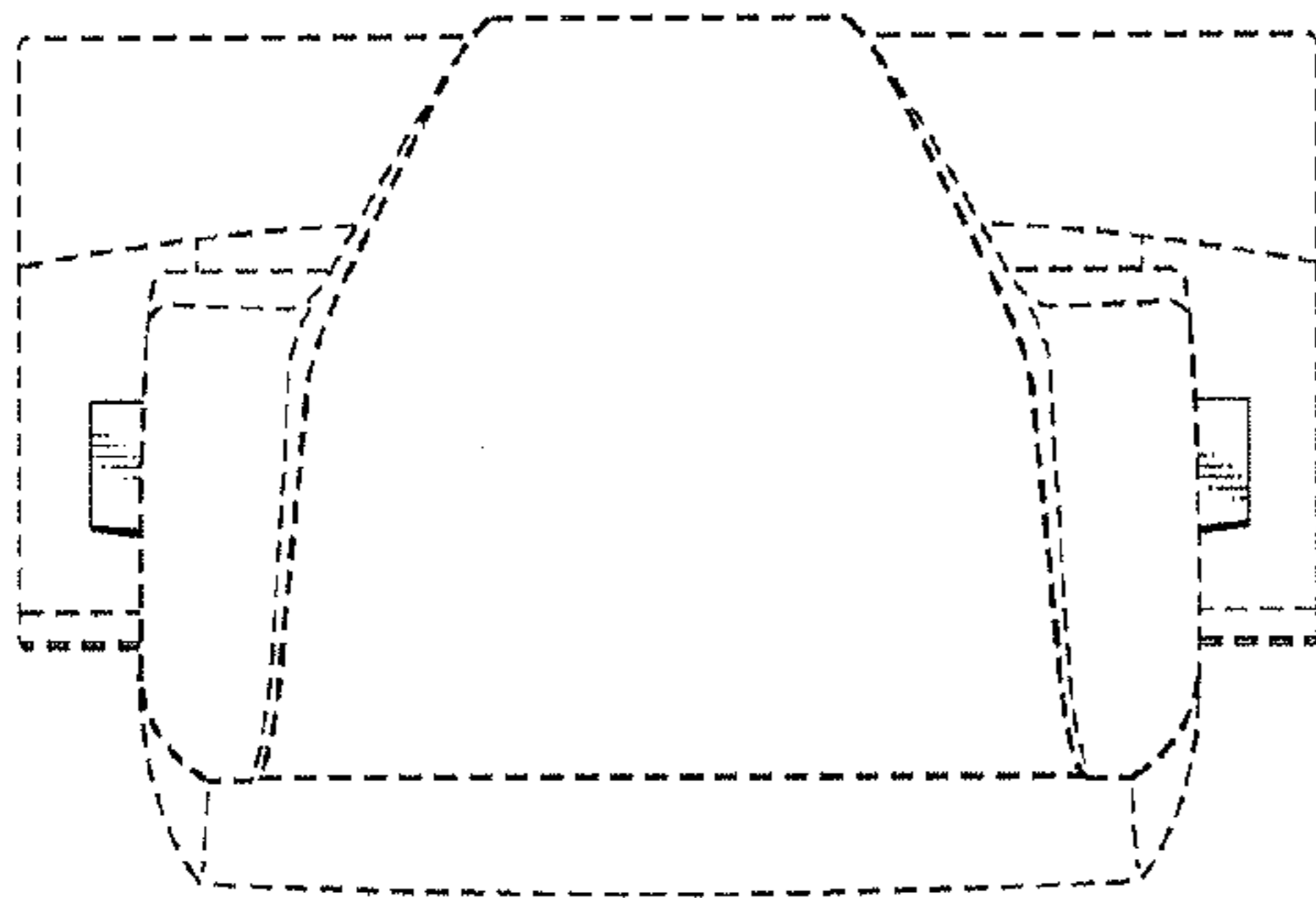


FIG.5

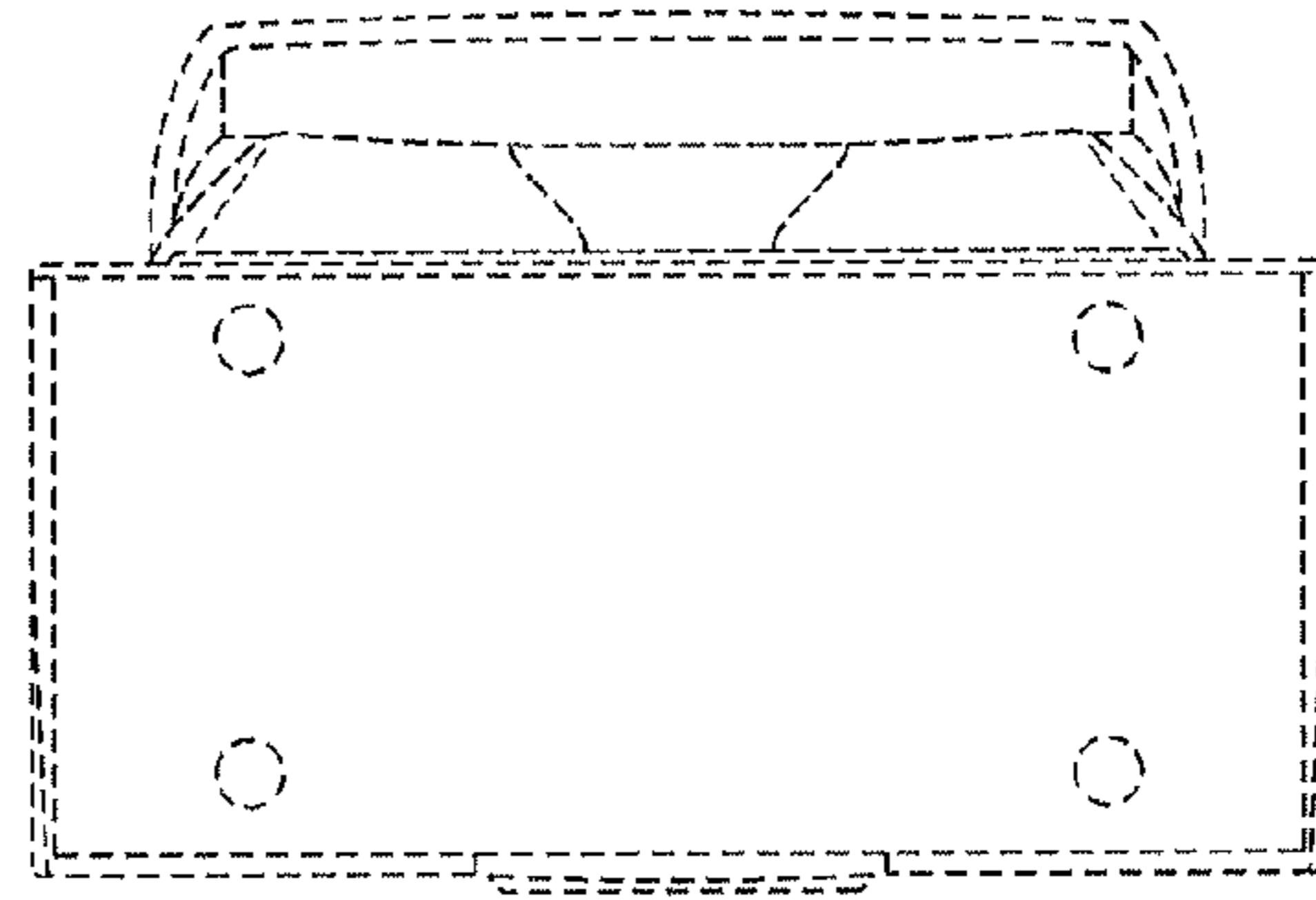


FIG.6

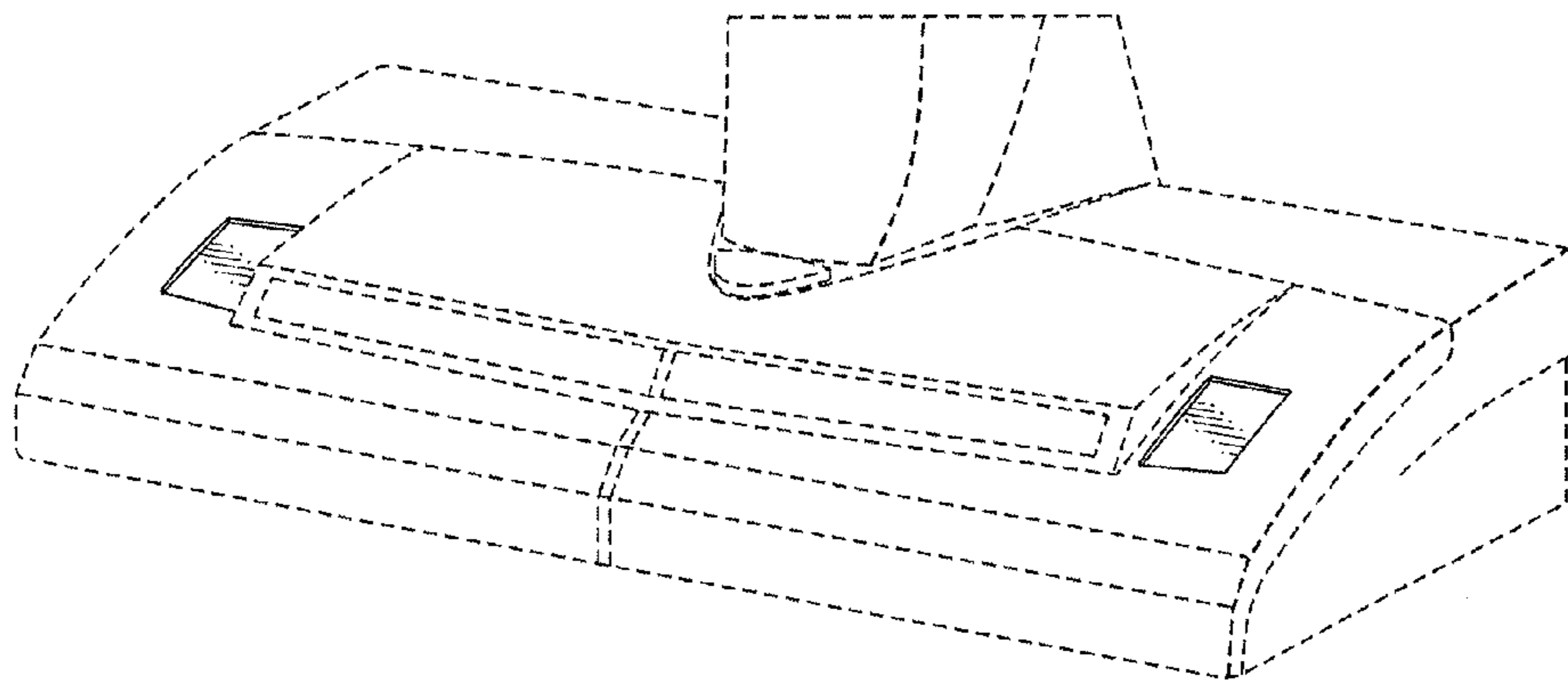


FIG.7

