



US00D700606S

(12) **United States Design Patent**
Lo

(10) **Patent No.:** **US D700,606 S**
(45) **Date of Patent:** **** Mar. 4, 2014**

- (54) **MAGNETIC CARD READER WITH A FLANGE ANTENNA**
- (71) Applicant: **Chi Wah Lo**, Hong Kong (HK)
- (72) Inventor: **Chi Wah Lo**, Hong Kong (HK)
- (73) Assignee: **BBPOS Limited**, Hong Kong (HK)
- (**) Term: **14 Years**
- (21) Appl. No.: **29/451,938**
- (22) Filed: **Apr. 10, 2013**
- (51) **LOC (10) Cl.** **14-02**
- (52) **U.S. Cl.**
USPC **D14/385**
- (58) **Field of Classification Search**
USPC D14/356-358, 383-385, 420, 426, 427,
D14/432-439, 447, 453, 454, 217, 253,
D14/299; D13/107, 108, 133, 146, 147,
D13/152, 154, 156, 158, 162, 162.1, 168,
D13/173, 177, 102; 235/441, 451, 492, 380,
235/439, 375; 361/679.31, 600, 679.01,
361/679.02
See application file for complete search history.

D592,661 S *	5/2009	Woo et al.	D14/358
D607,000 S *	12/2009	Cheng et al.	D14/485
D667,402 S *	9/2012	Maus	D14/385
D671,118 S *	11/2012	Wesolek	D14/385
D676,047 S *	2/2013	White et al.	D14/385
D681,036 S *	4/2013	Taunay da Graca Couto	D14/385
D681,639 S *	5/2013	Cruz et al.	D14/385
D684,574 S *	6/2013	Taunay da Graca Couto	D14/385

* cited by examiner

Primary Examiner — Austin Murphy
(74) *Attorney, Agent, or Firm* — AKC Patents; Aliko K. Collins

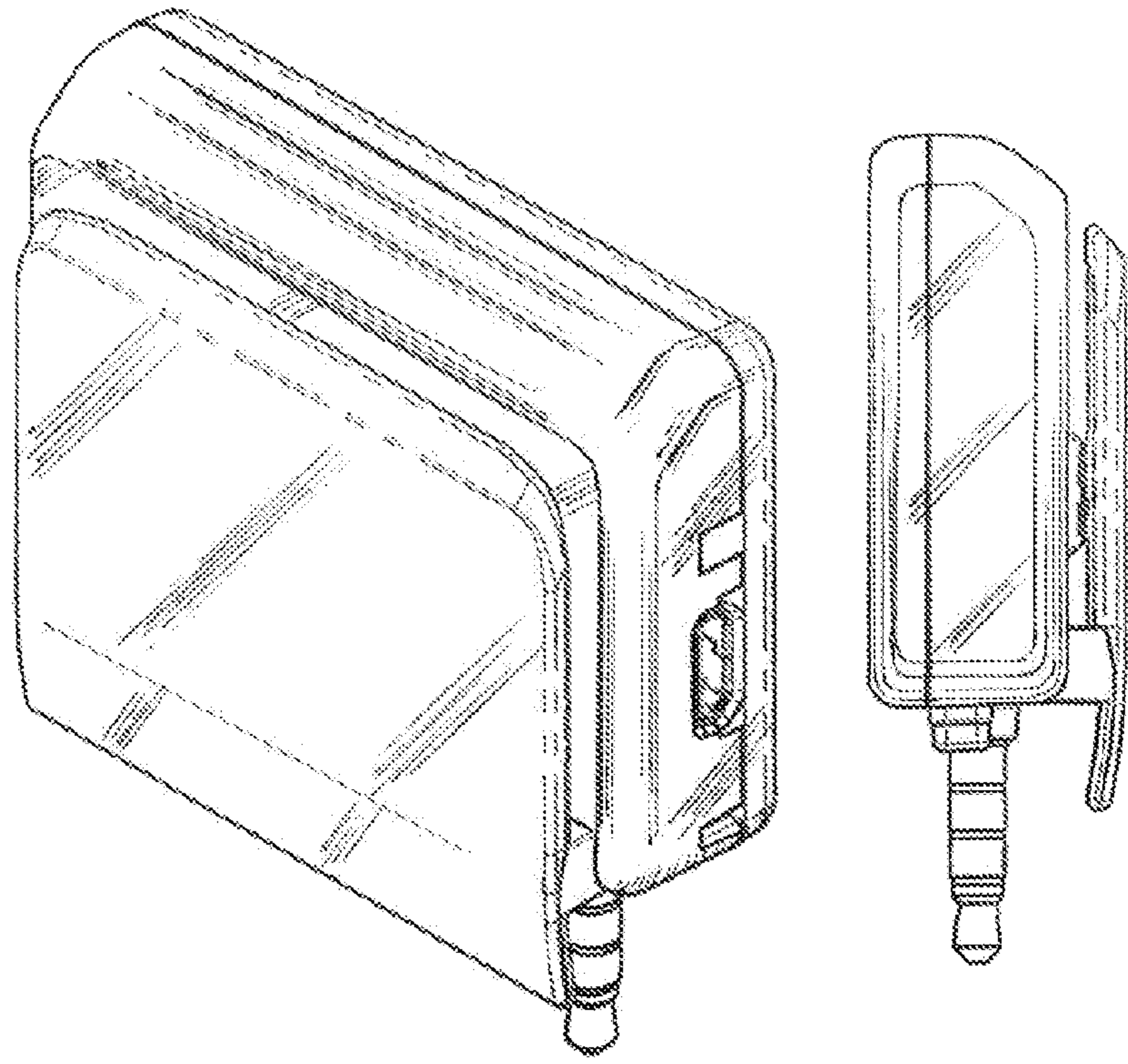
(57) **CLAIM**
The ornamental design for a magnetic card reader with a flange antenna, as shown and described.

DESCRIPTION

FIG. 1 is a front perspective view of the magnetic card reader with a flange antenna;
FIG. 2 is a front view thereof;
FIG. 3 is a right side view thereof;
FIG. 4 is a left side view thereof;
FIG. 5 is a back view thereof;
FIG. 6 is a bottom view thereof; and,
FIG. 7 is a top view thereof.

- (56) **References Cited**
U.S. PATENT DOCUMENTS
D422,976 S * 4/2000 Su D14/385
D590,828 S * 4/2009 Sherrod et al. D14/385

1 Claim, 3 Drawing Sheets



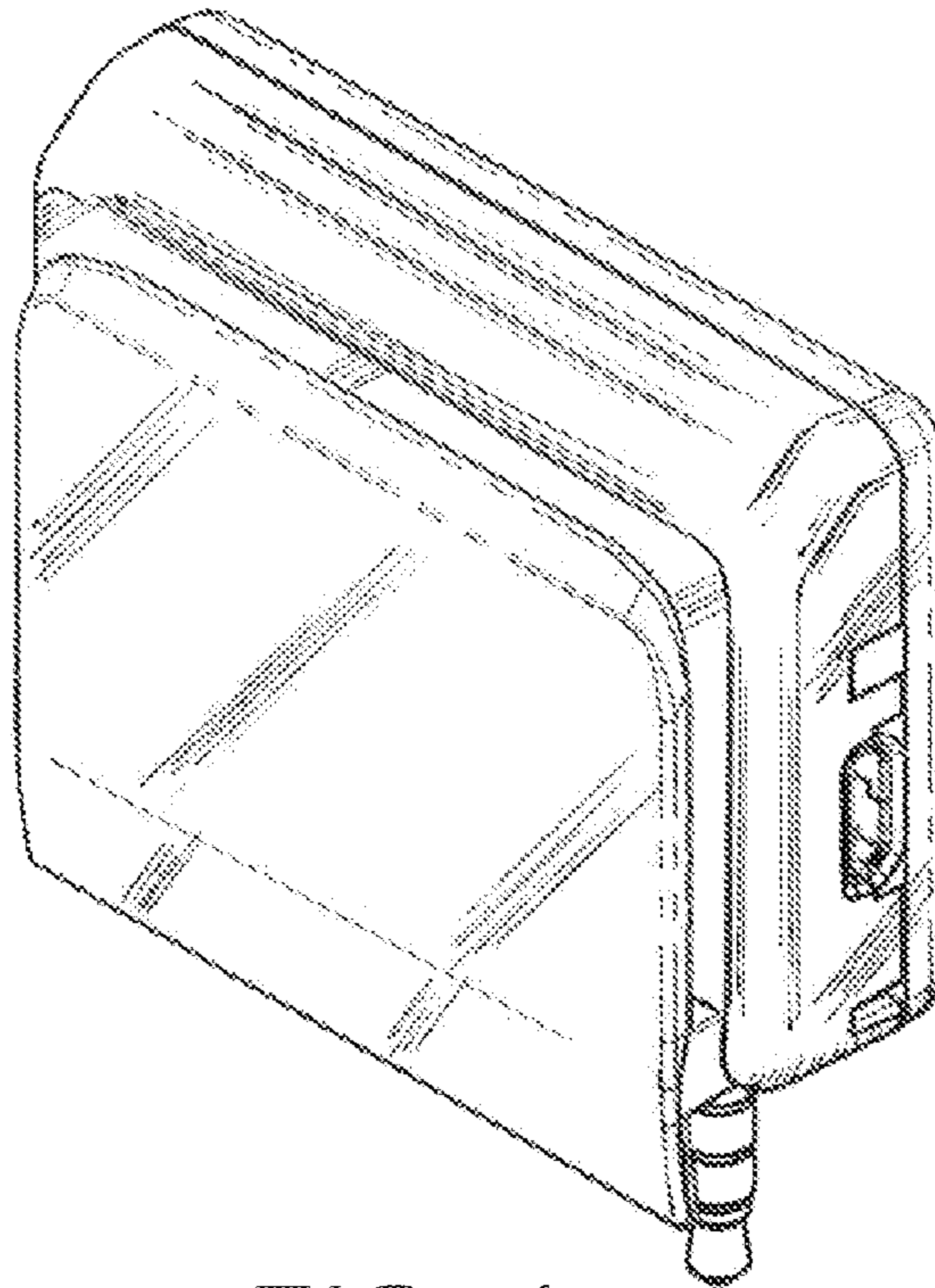


FIG. 1

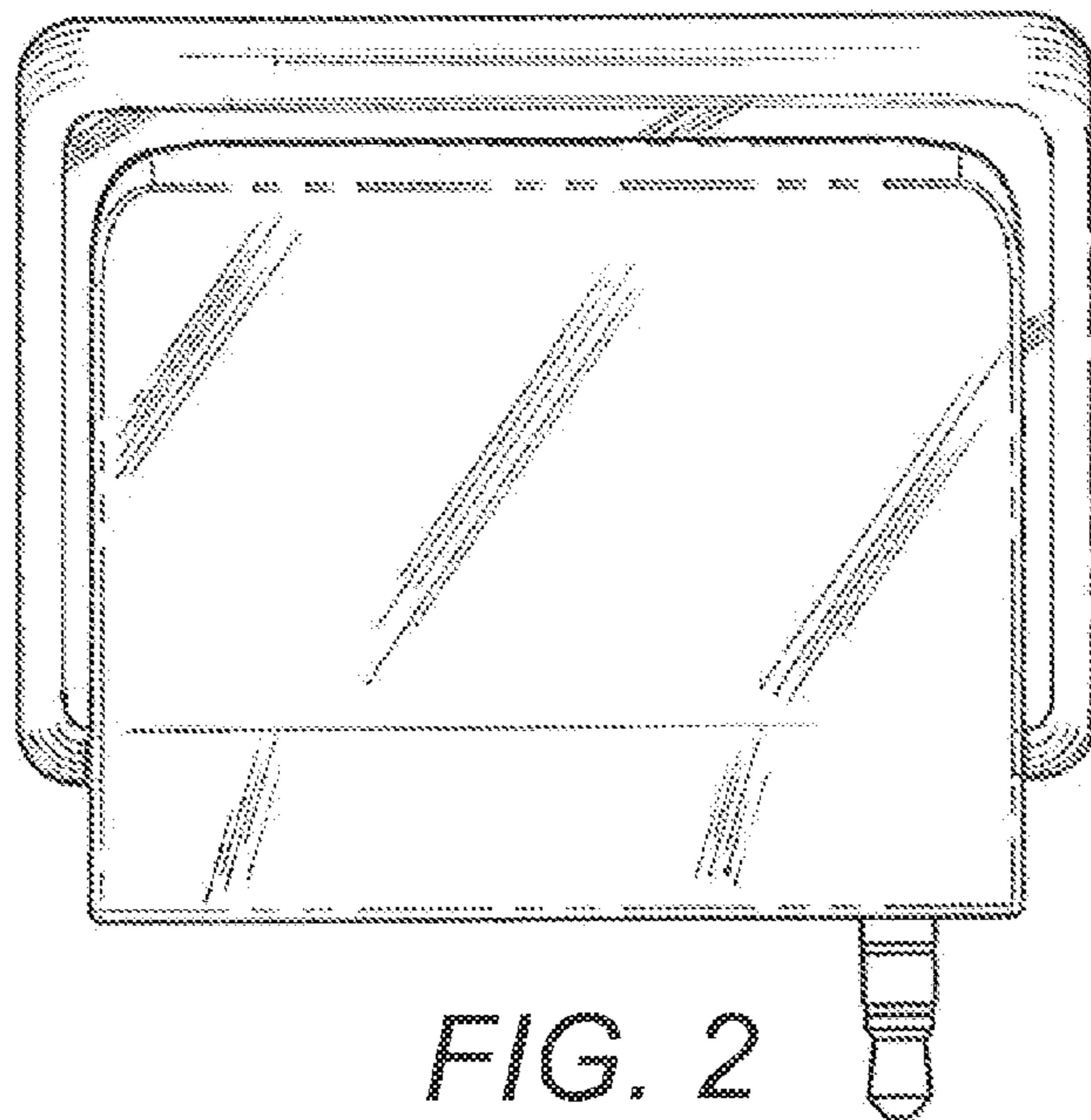


FIG. 2

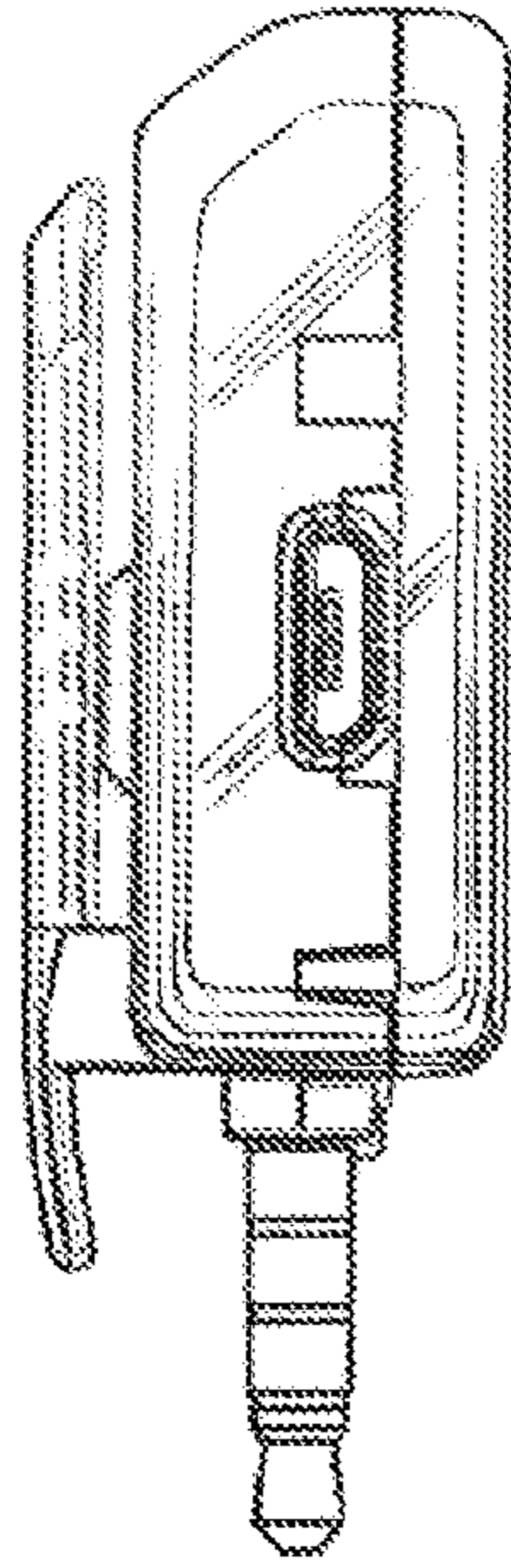


FIG. 3

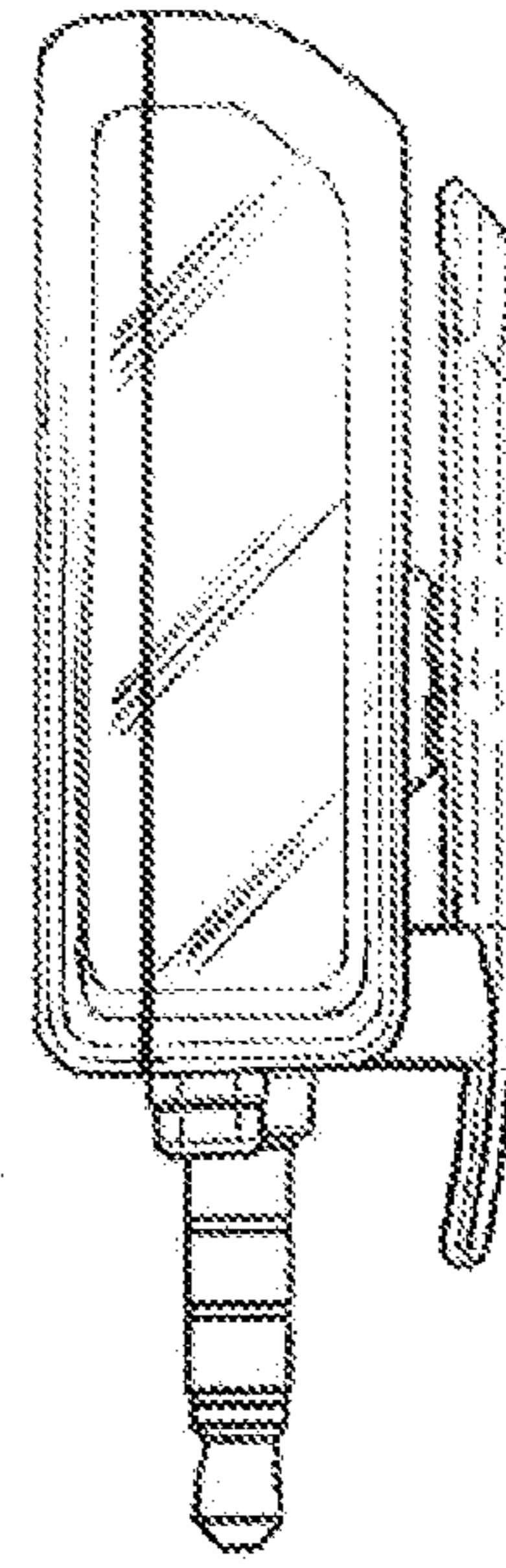


FIG. 4

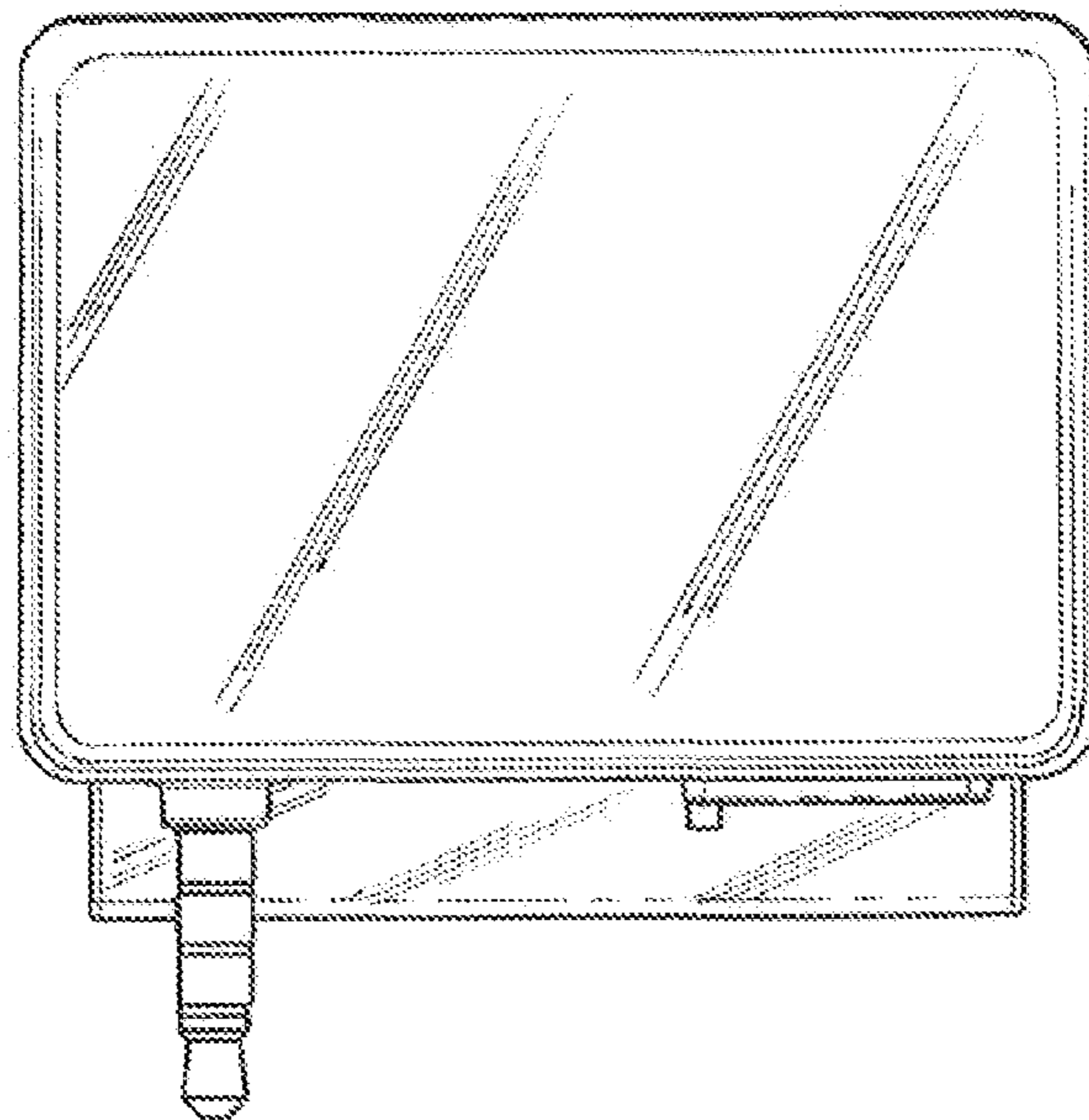


FIG. 5

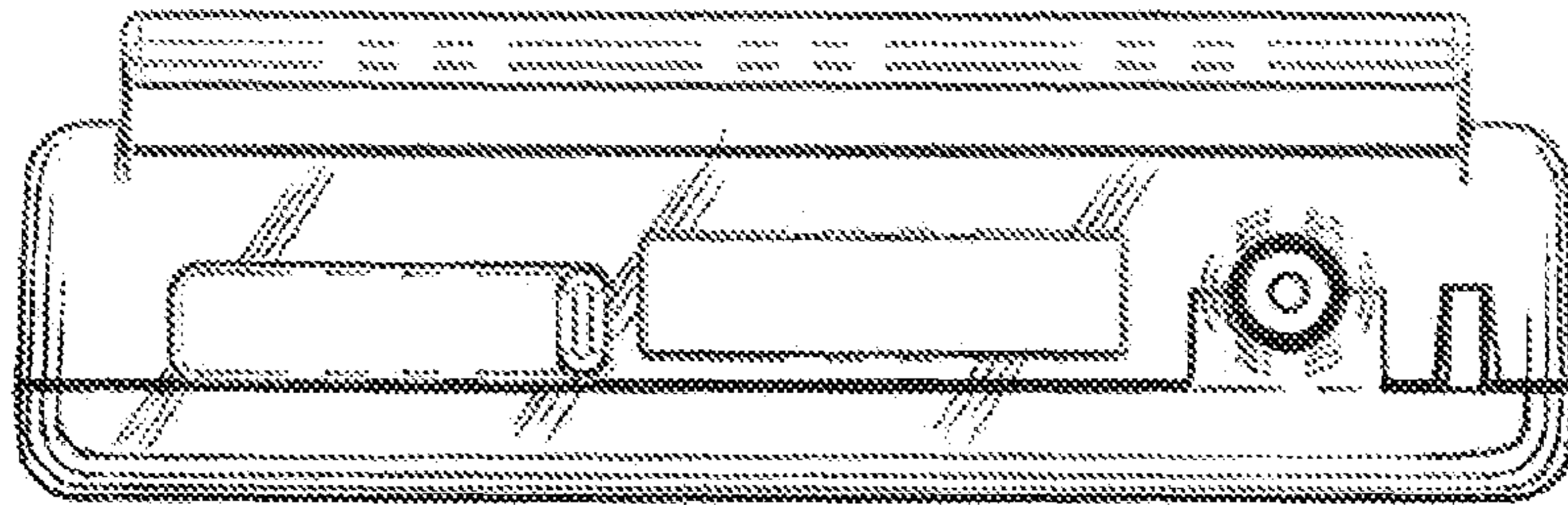


FIG. 6

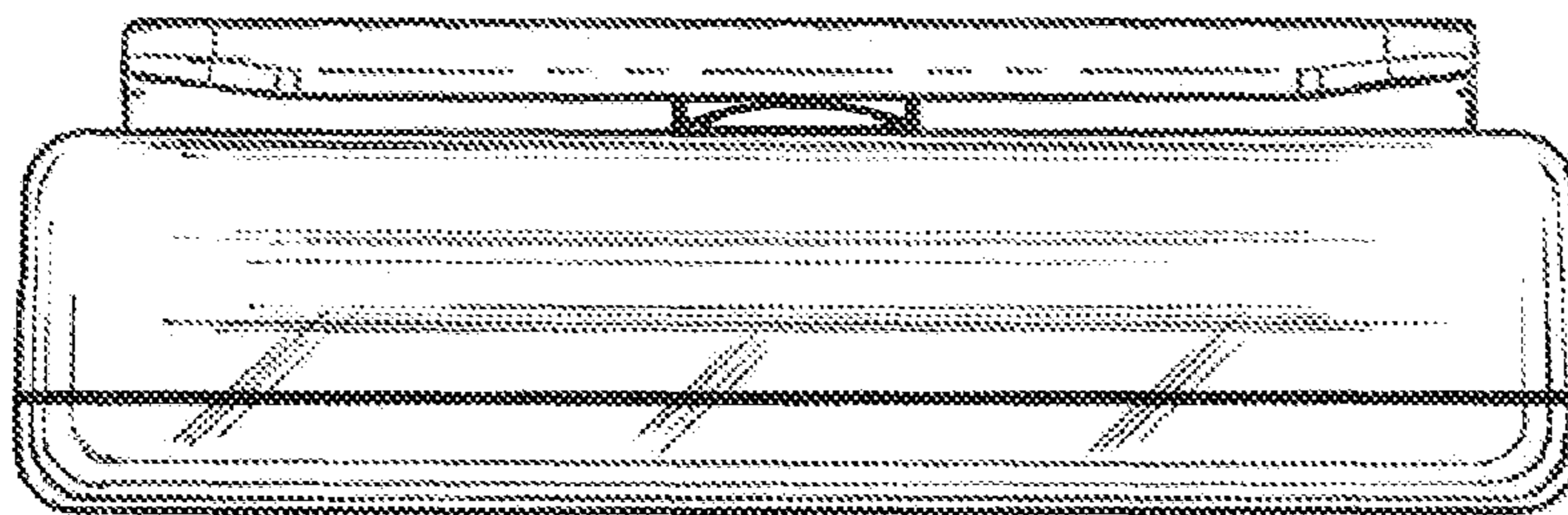


FIG. 7