



US00D700603S

(12) **United States Design Patent**  
**Chen et al.**

(10) **Patent No.:** **US D700,603 S**  
(45) **Date of Patent:** **\*\* Mar. 4, 2014**

- (54) **ELECTRONIC DEVICE**
- (71) Applicant: **Hon Hai Precision Industry Co., Ltd.,**  
New Taipei (TW)
- (72) Inventors: **Hong-Sheng Chen,** New Taipei (TW);  
**Kuo-Chun Huang,** New Taipei (TW)
- (73) Assignee: **Hon Hai Precision Industry Co., Ltd.,**  
New Taipei (TW)

6,807,051 B2 *	10/2004	Takahashi	.....	361/679.23
D536,337 S *	2/2007	Chuang	.....	D14/336
D556,757 S *	12/2007	Kim et al.	.....	D14/375
D579,930 S *	11/2008	Maskatia	.....	D14/341
D586,565 S *	2/2009	Ko et al.	.....	D6/308
D610,139 S *	2/2010	Kamata et al.	.....	D14/337
D620,937 S *	8/2010	Shih et al.	.....	D14/374
D653,254 S *	1/2012	Lu et al.	.....	D14/374

\* cited by examiner

(\*\*) Term: **14 Years**

*Primary Examiner* — Freda S Nunn

(21) Appl. No.: **29/440,848**

(74) *Attorney, Agent, or Firm* — Altis Law Group, Inc.

(22) Filed: **Dec. 27, 2012**

(57) **CLAIM**

(51) **LOC (10) Cl.** ..... **14-02**

The ornamental design for an electronic device, as shown and described.

(52) **U.S. Cl.**

USPC ..... **D14/336; D14/374**

(58) **Field of Classification Search**

USPC ..... D14/371–376, 125–129, 317, 331, 336,  
D14/337, 341, 383–385; D6/308; D10/20;  
248/917–924, 176.1, 278.1; 345/104,  
345/156, 173, 174, 901–905; 348/180, 184,  
348/325, 739; 361/679.08, 679.21, 679.23;  
349/1, 2, 11

See application file for complete search history.

**DESCRIPTION**

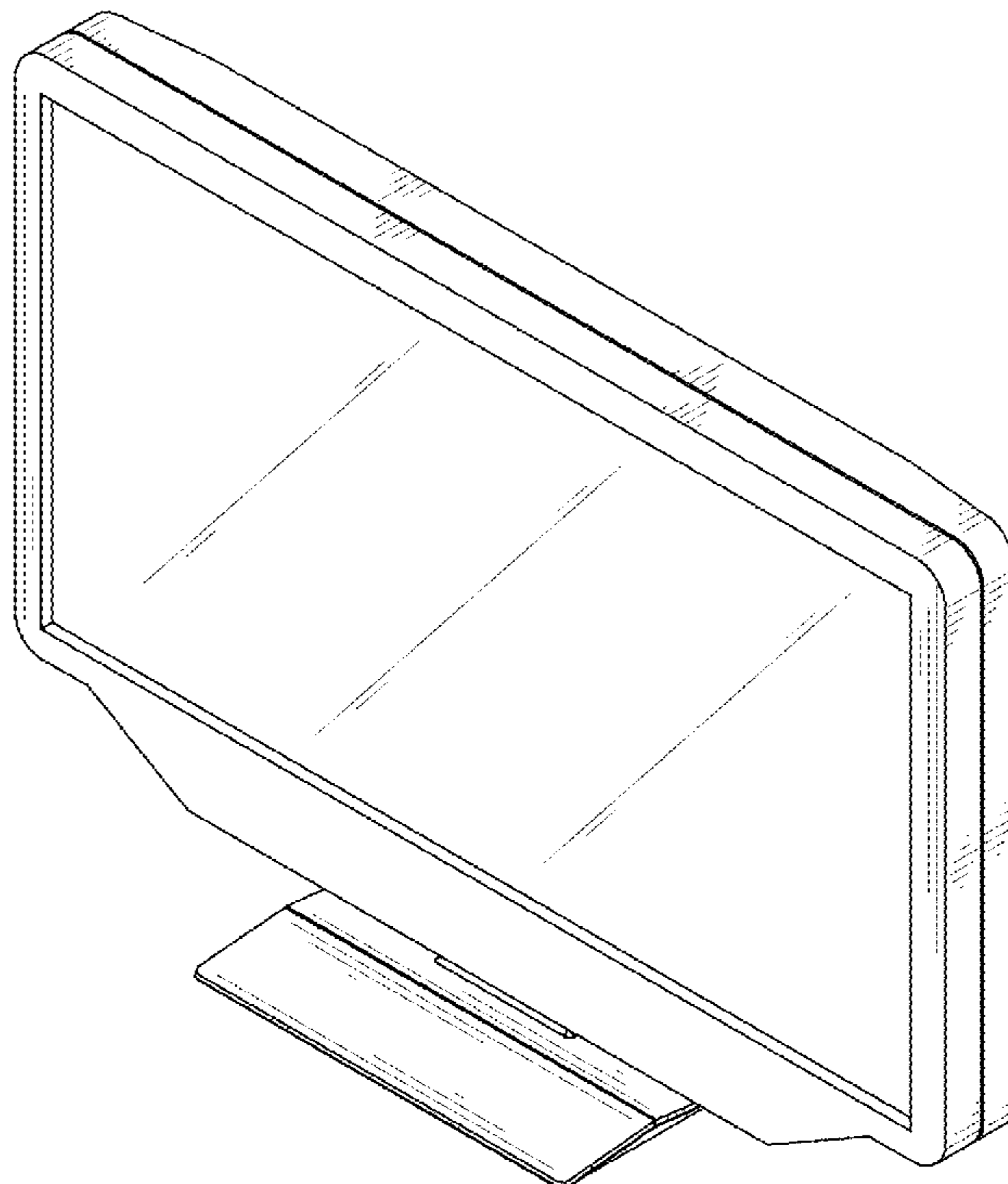
FIG. 1 is a perspective view of an electronic device showing our design;  
FIG. 2 is a front elevational view thereof;  
FIG. 3 is a rear elevational view thereof;  
FIG. 4 is a left side, elevational view thereof;  
FIG. 5 is a right side, elevational view thereof;  
FIG. 6 is a top plan view thereof; and,  
FIG. 7 is a bottom plan view thereof.  
The broken lines shown are for the purpose of illustration and form no part of the claimed design.

(56) **References Cited**

**U.S. PATENT DOCUMENTS**

D313,431 S \* 1/1991 Jaskiel et al. .... D20/10

**1 Claim, 7 Drawing Sheets**



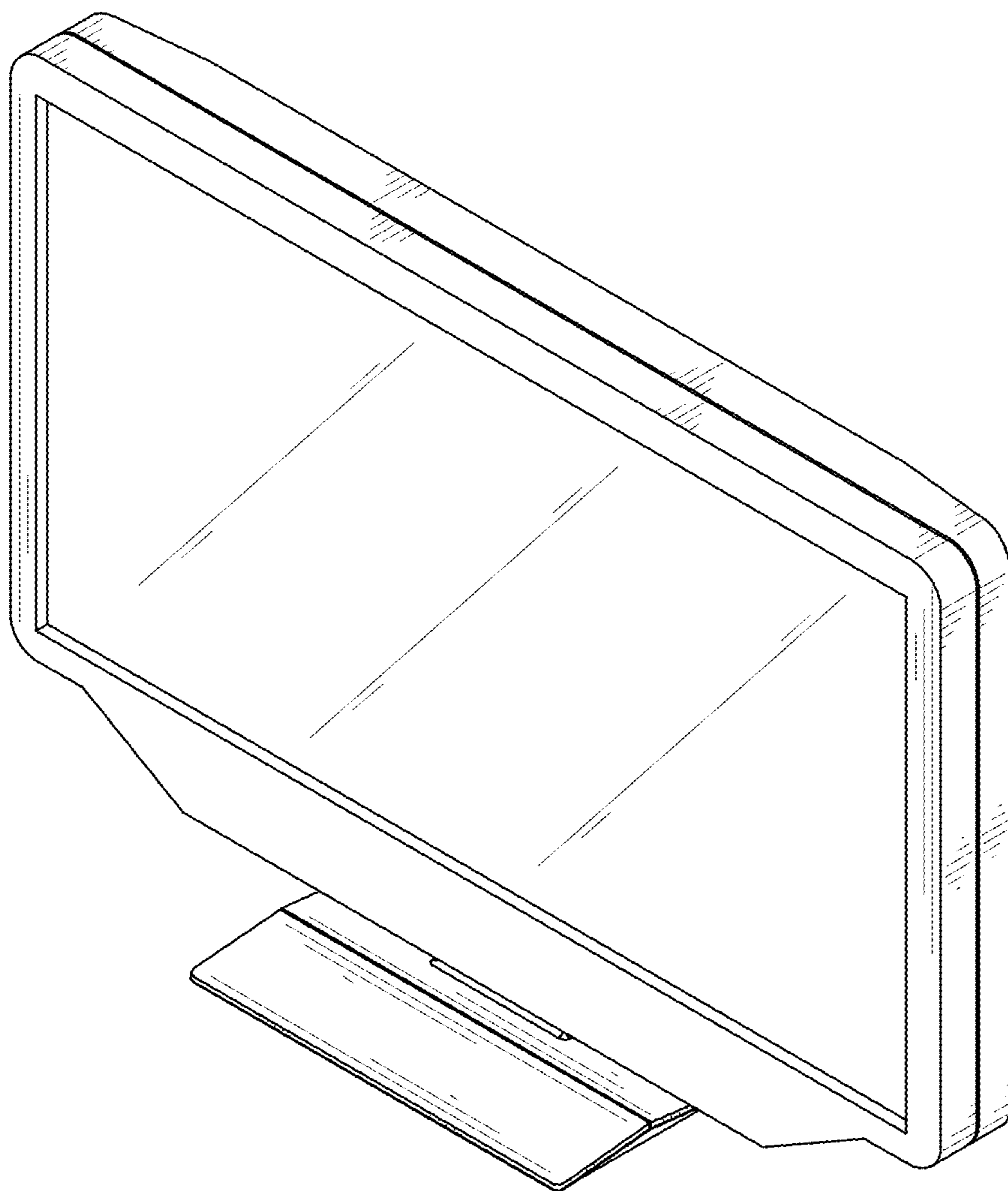


FIG. 1

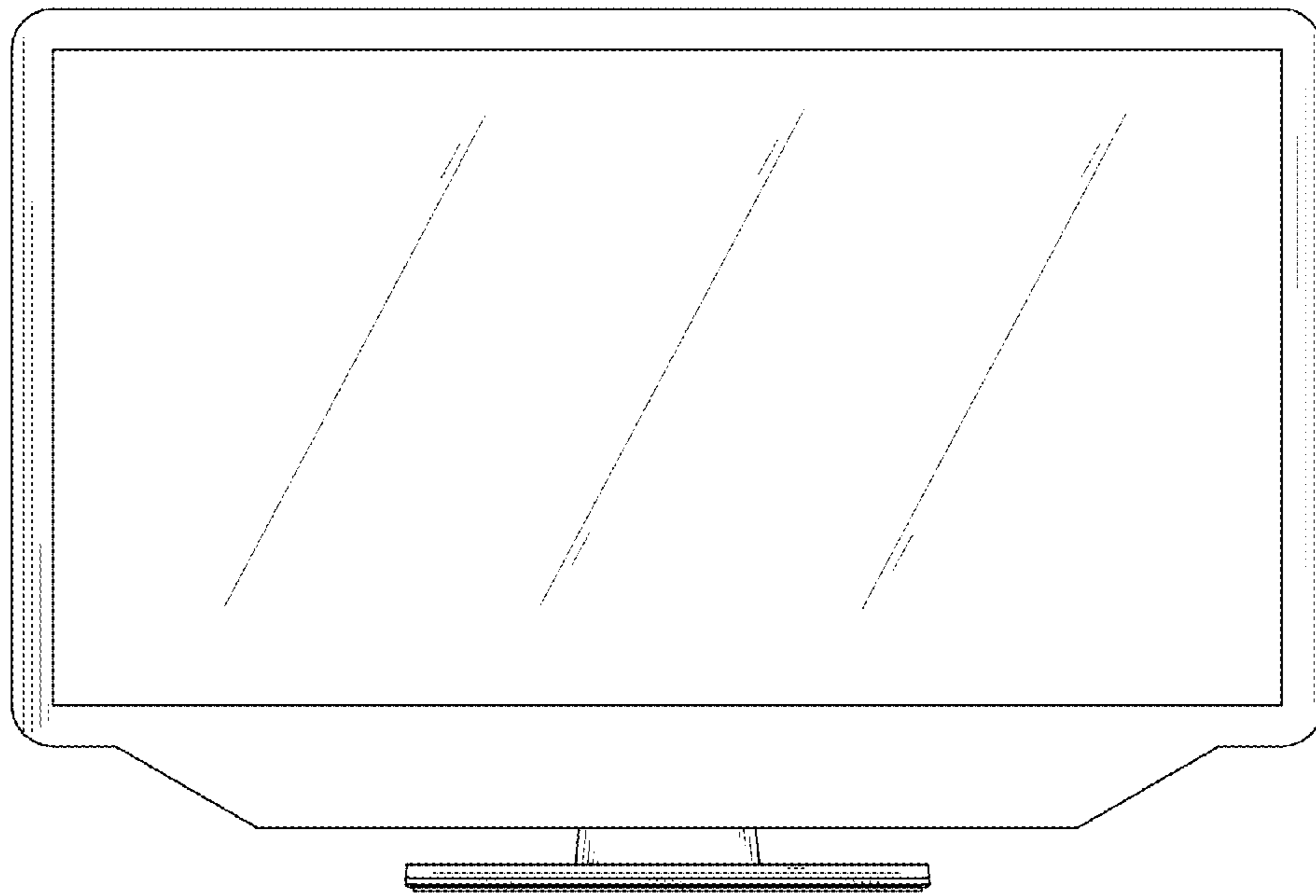


FIG. 2

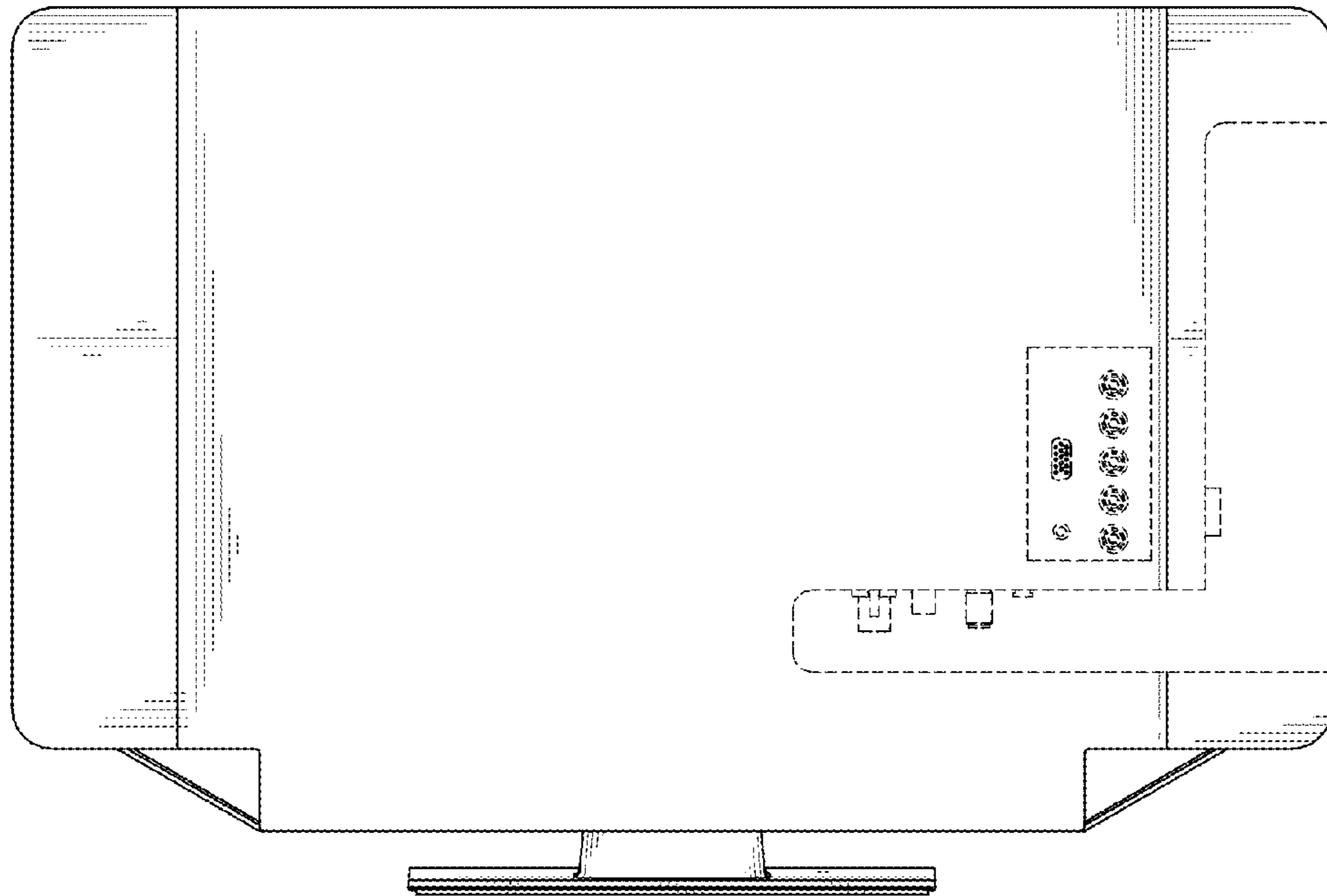


FIG. 3

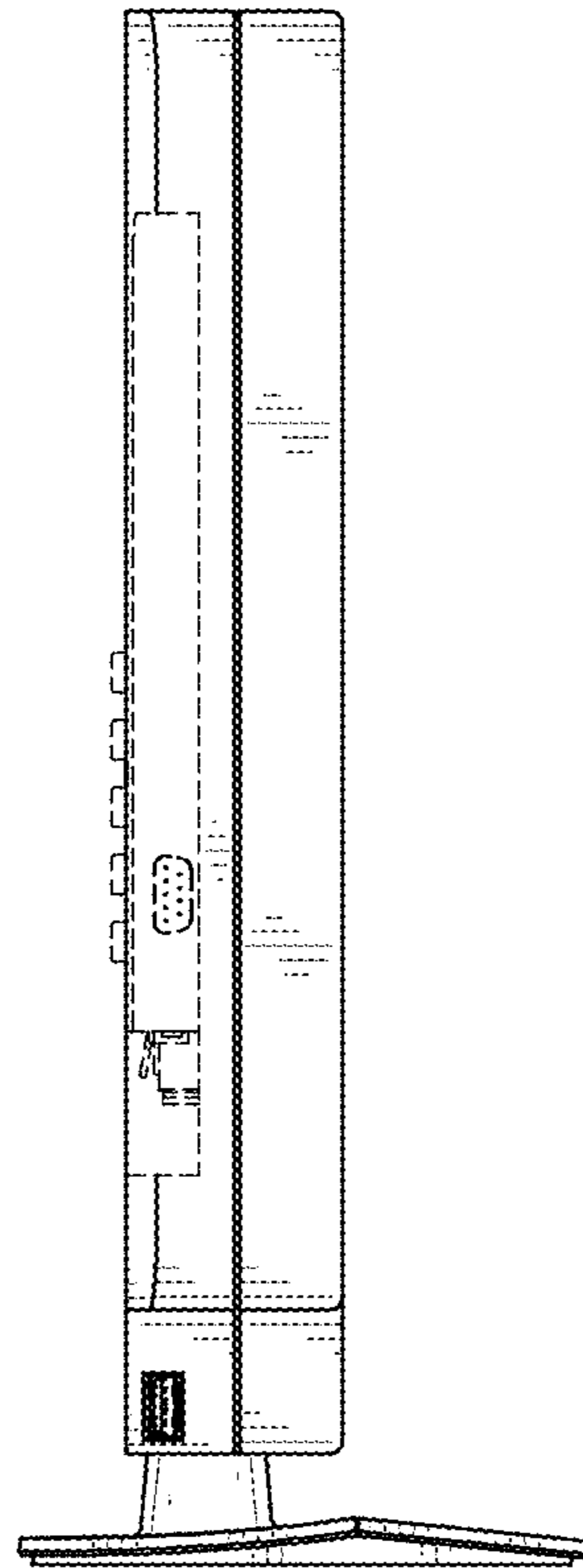


FIG. 4

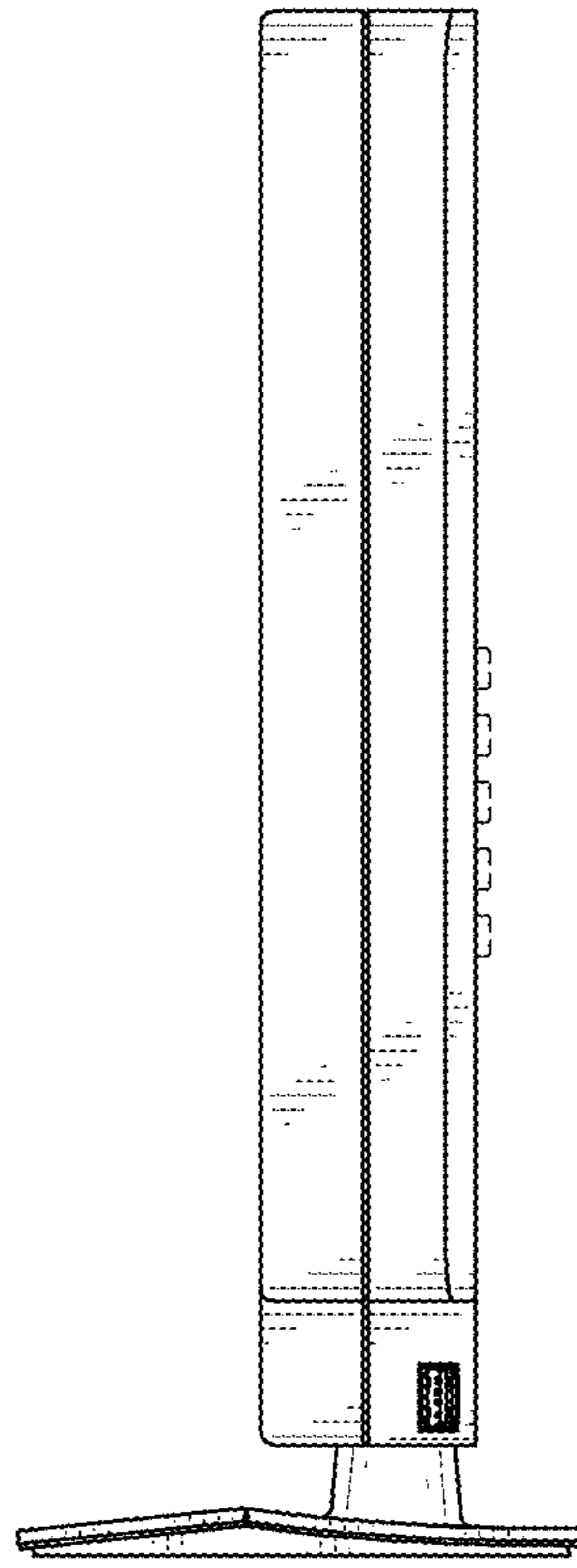


FIG. 5

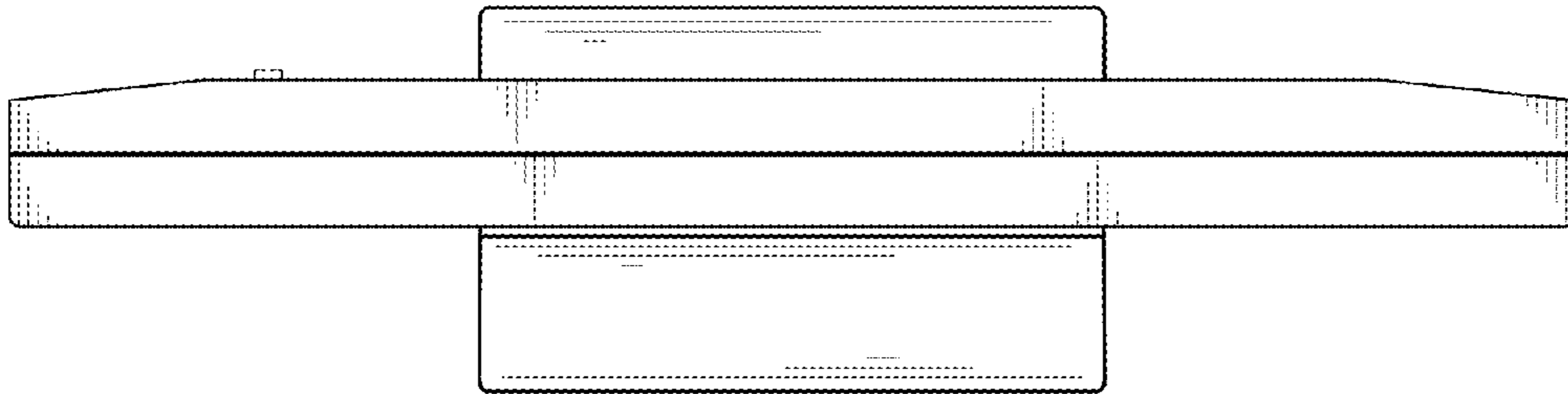


FIG. 6

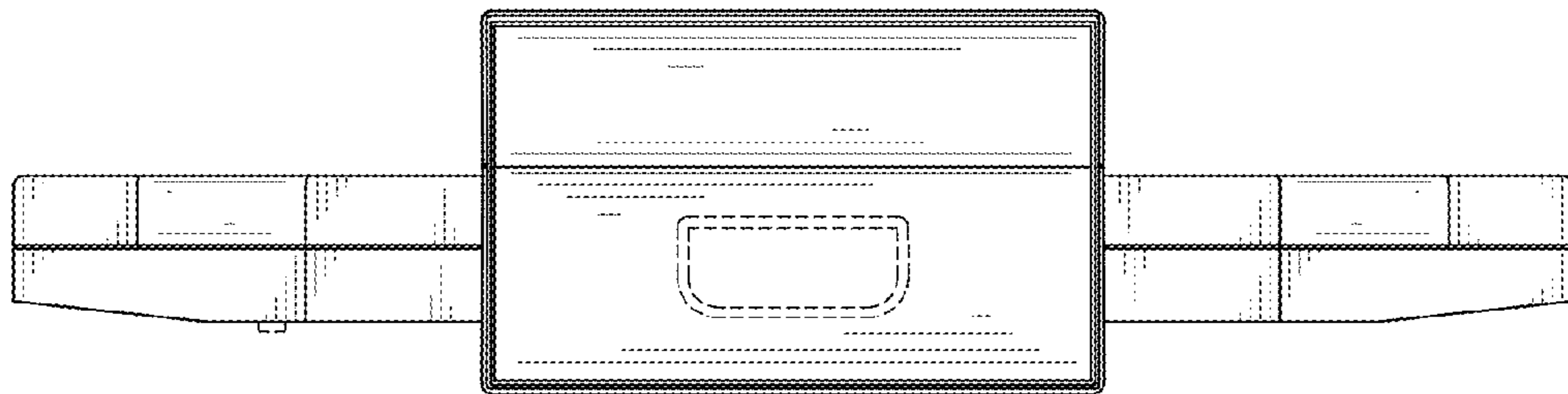


FIG. 7