



US00D700602S

(12) **United States Design Patent**  
**Chen et al.**

(10) **Patent No.:** **US D700,602 S**  
(45) **Date of Patent:** **\*\* Mar. 4, 2014**

(54) **ELECTRONIC DEVICE**  
(71) Applicant: **Hon Hai Precision Industry Co., Ltd.**,  
New Taipei (TW)  
(72) Inventors: **Hong-Sheng Chen**, New Taipei (TW);  
**Kuo-Chun Huang**, New Taipei (TW)  
(73) Assignee: **Hon Hai Precision Industry Co., Ltd.**,  
New Taipei (TW)

(\*\*) Term: **14 Years**

(21) Appl. No.: **29/440,847**

(22) Filed: **Dec. 27, 2012**

(51) **LOC (10) Cl.** ..... **14-02**

(52) **U.S. Cl.**  
USPC ..... **D14/336; D14/374**

(58) **Field of Classification Search**  
USPC ..... D14/371–376, 125–129, 317, 331, 336,  
D14/337, 341, 383–385; D6/308; D10/20;  
248/917–924, 176.1, 278.1; 345/104,  
345/156, 173, 174, 901–905; 348/180, 184,  
348/325, 739; 361/679.08, 679.21, 679.23;  
349/1, 2, 11

See application file for complete search history.

(56) **References Cited**

**U.S. PATENT DOCUMENTS**

D313,431 S \* 1/1991 Jaskiel et al. .... D20/10

6,807,051 B2 \* 10/2004 Takahashi ..... 361/679.23  
D536,337 S \* 2/2007 Chuang ..... D14/336  
D556,757 S \* 12/2007 Kim et al. .... D14/375  
D579,930 S \* 11/2008 Maskatia ..... D14/341  
D586,565 S \* 2/2009 Ko et al. .... D6/308  
D610,139 S \* 2/2010 Kamata et al. .... D14/337  
D620,937 S \* 8/2010 Shih et al. .... D14/374  
D653,254 S \* 1/2012 Lu et al. .... D14/374

\* cited by examiner

*Primary Examiner* — Freda S Nunn

(74) *Attorney, Agent, or Firm* — Altis Law Group, Inc.

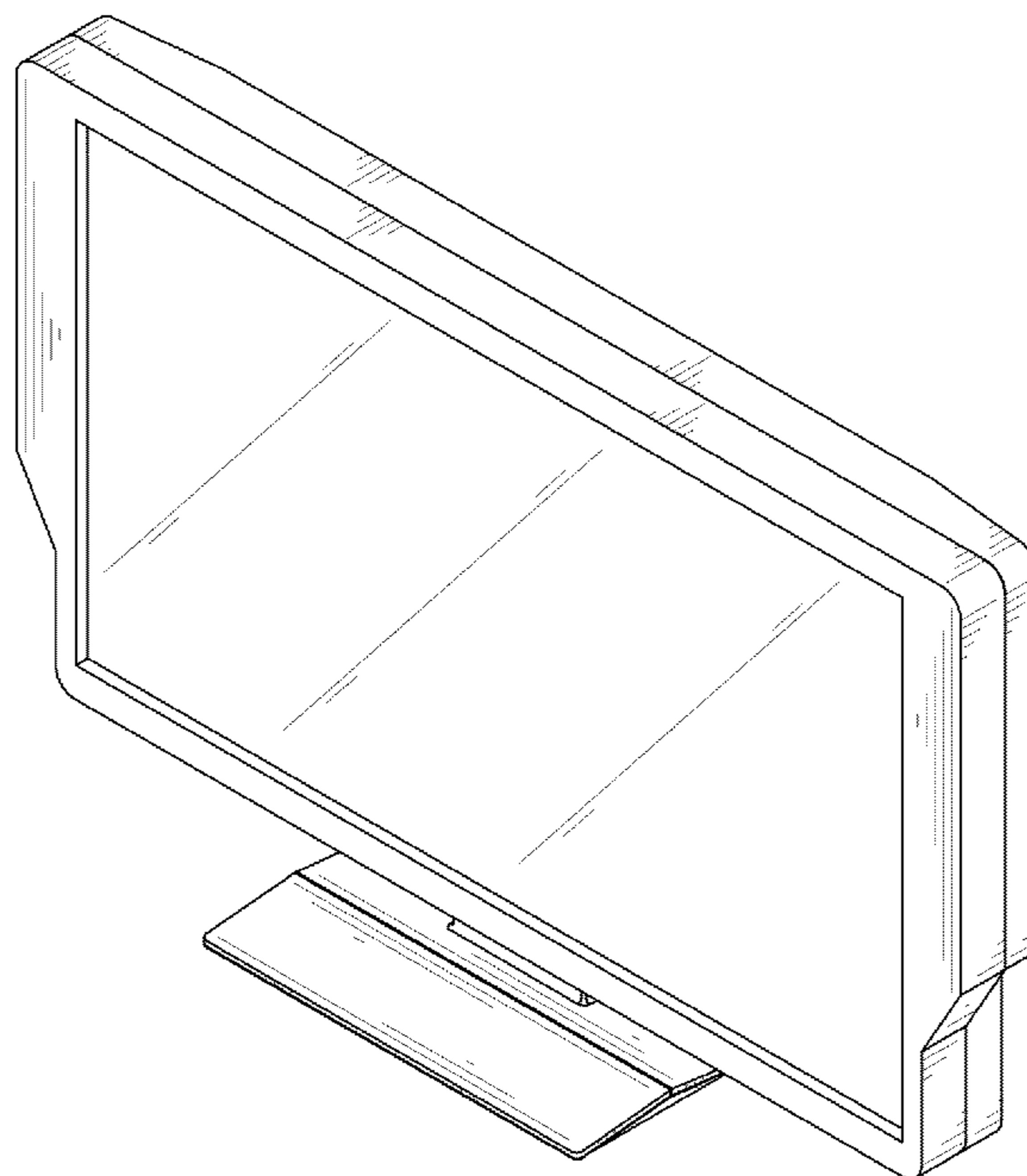
(57) **CLAIM**

The ornamental design for an electronic device, as shown and described.

**DESCRIPTION**

FIG. 1 is a perspective view of an electronic device showing our design;  
FIG. 2 is a front elevational view thereof;  
FIG. 3 is a rear elevational view thereof;  
FIG. 4 is a left side, elevational view thereof;  
FIG. 5 is a right side, elevational view thereof;  
FIG. 6 is a top plan view thereof; and,  
FIG. 7 is a bottom plan view thereof.  
The broken lines shown are for the purpose of illustration and form no part of the claimed design.

**1 Claim, 7 Drawing Sheets**



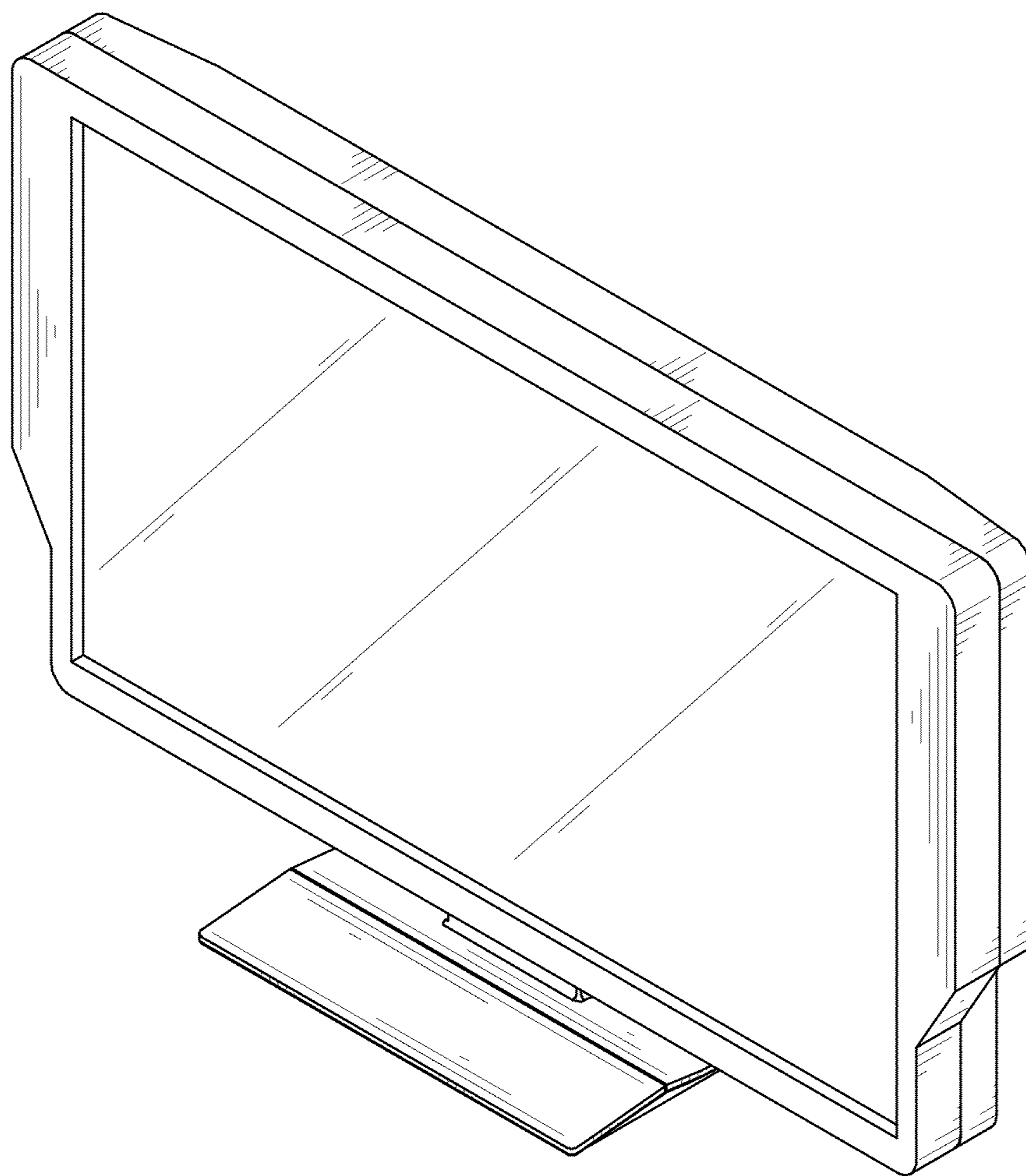


FIG. 1

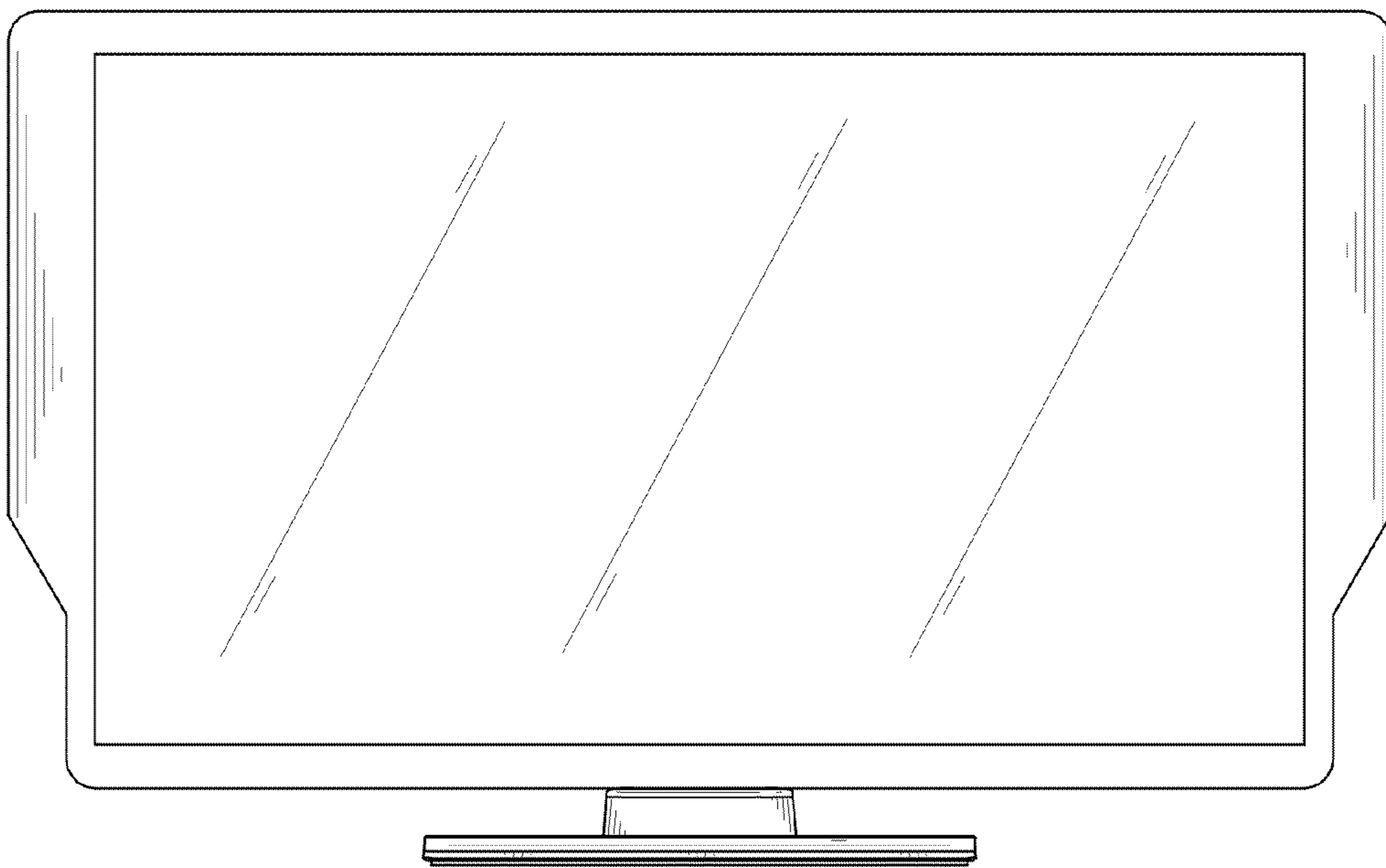


FIG. 2

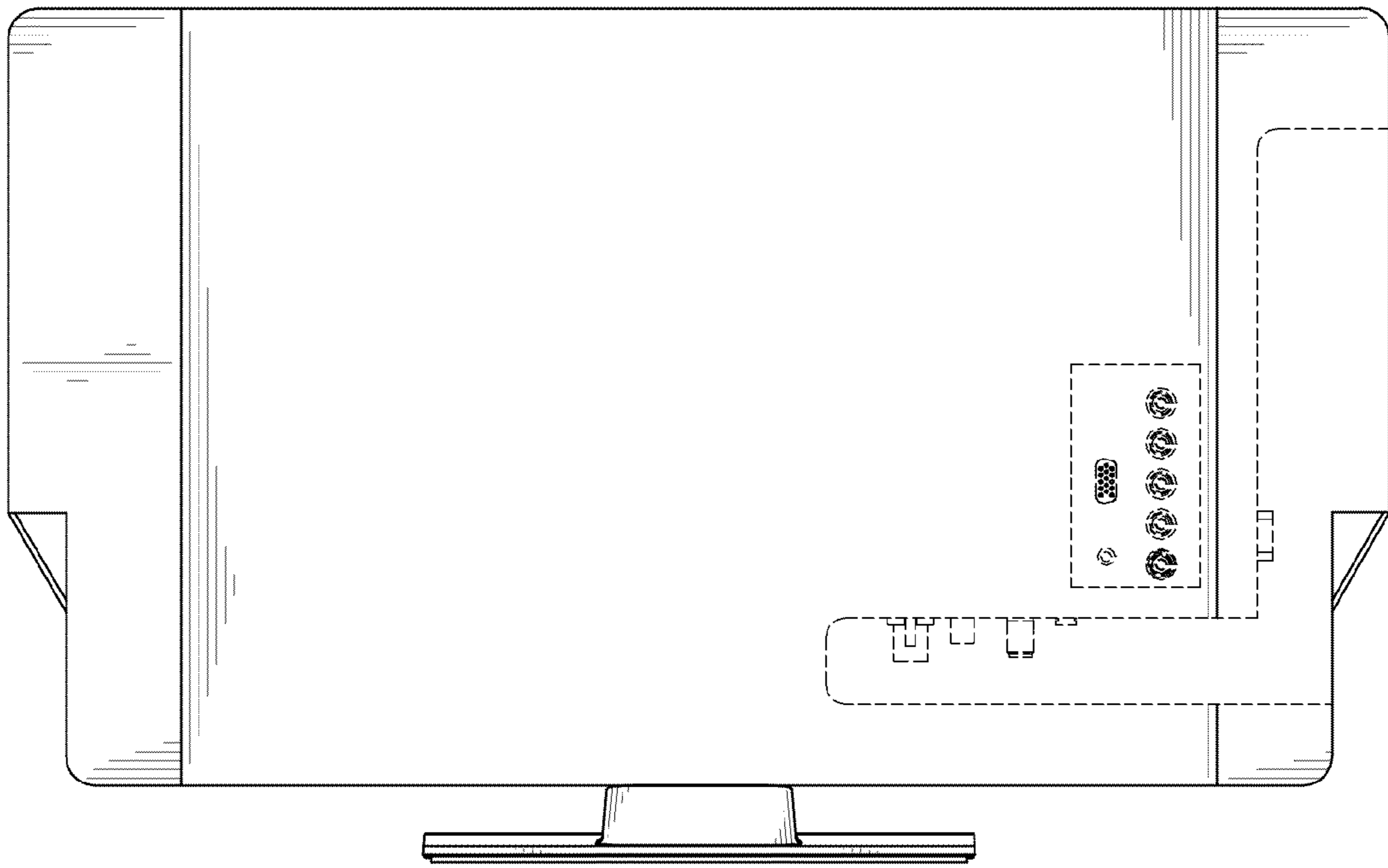


FIG. 3

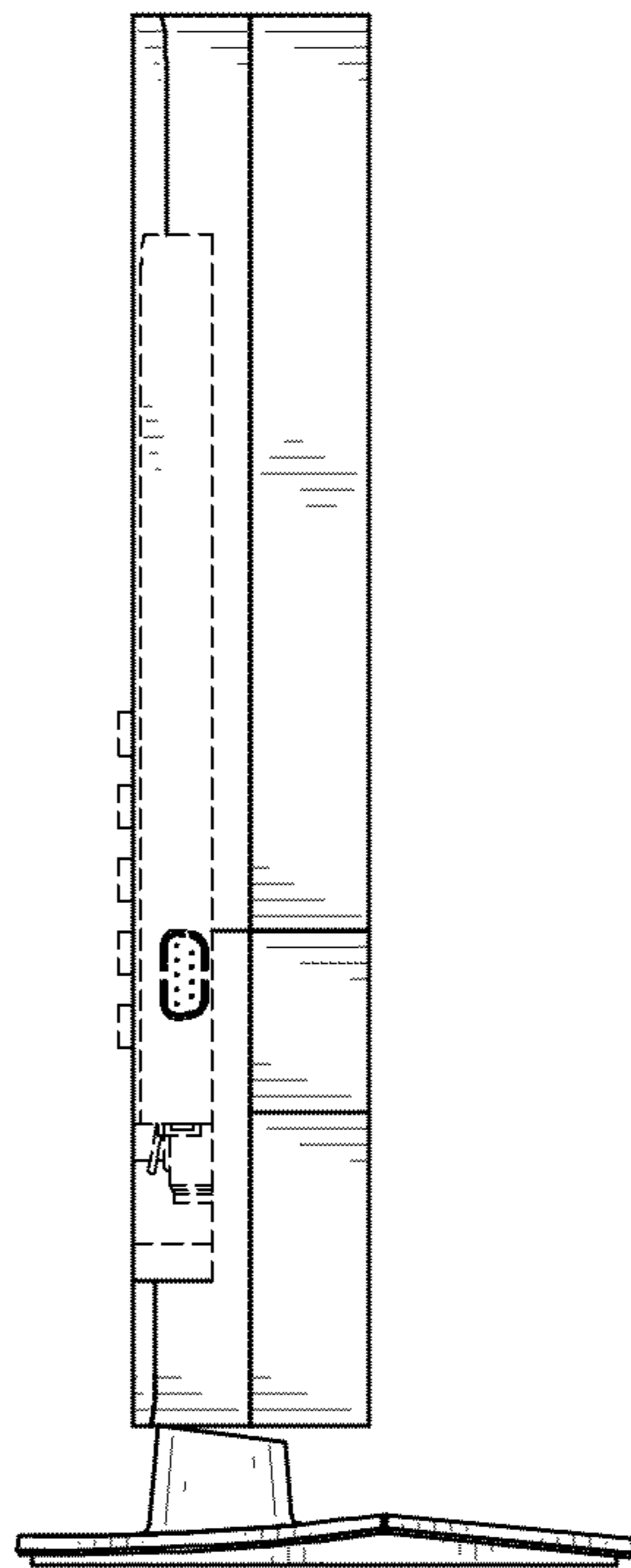


FIG. 4

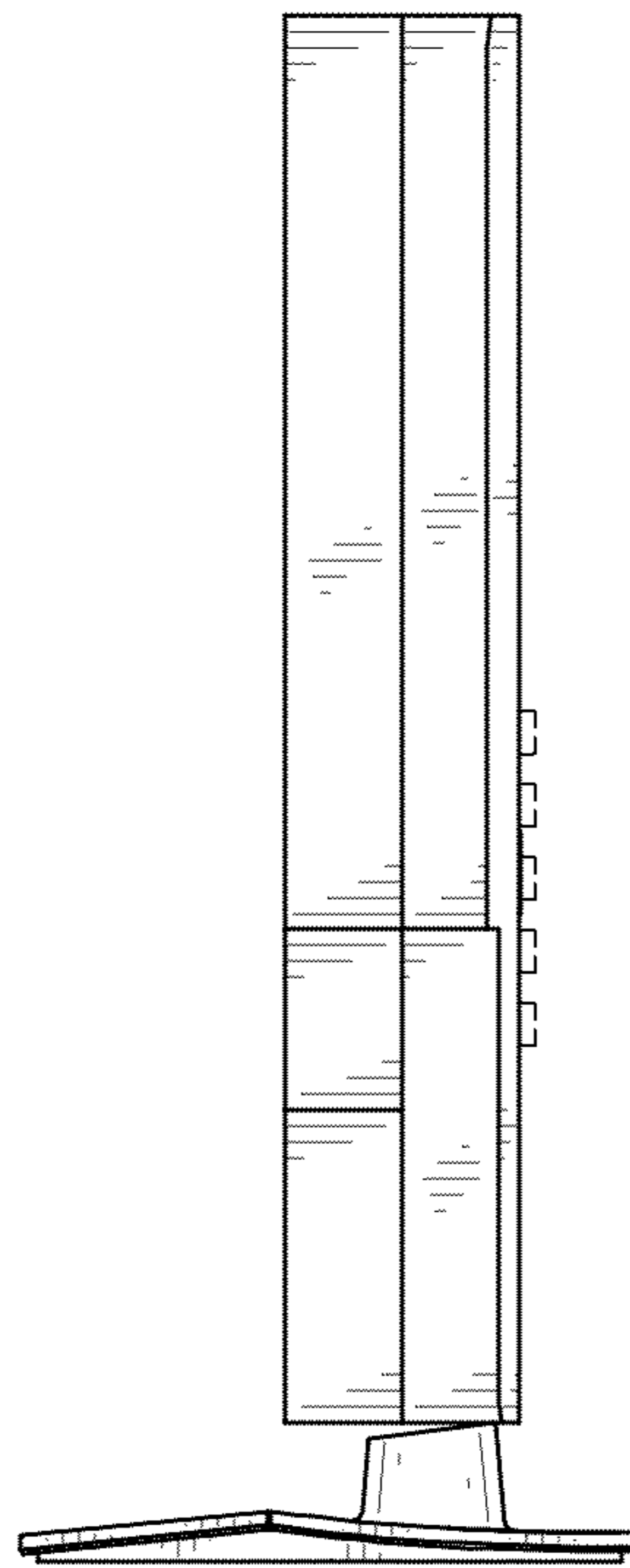


FIG. 5

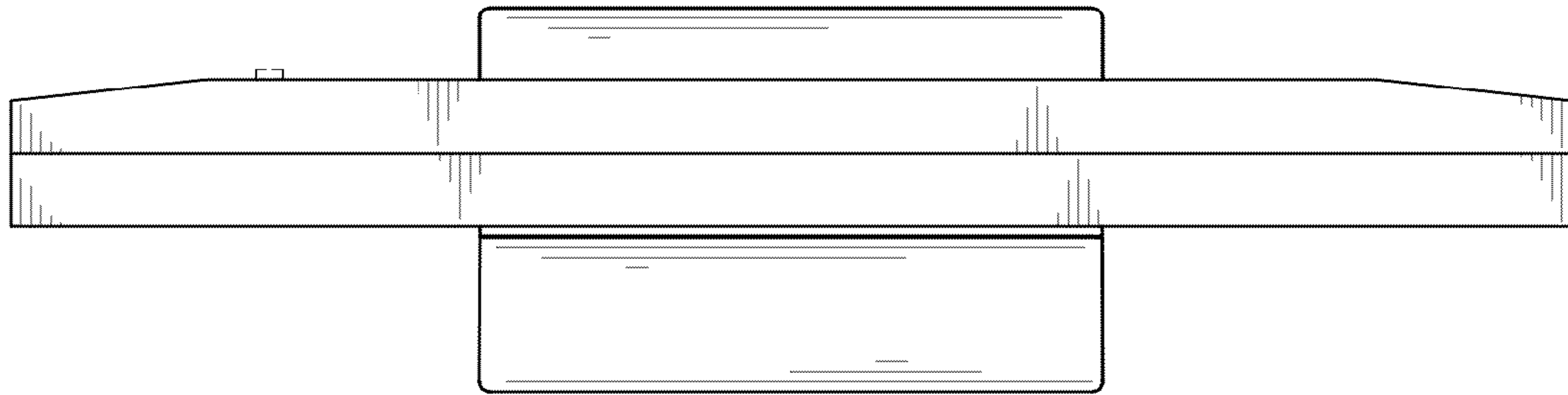


FIG. 6

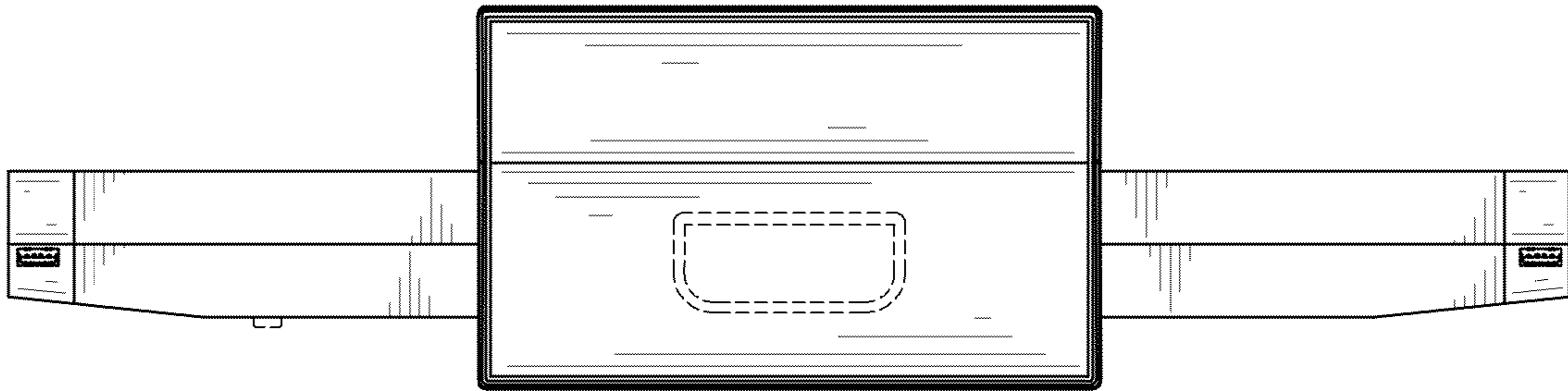


FIG. 7