



US00D700601S

(12) **United States Design Patent**
Okamoto et al.

(10) **Patent No.:** **US D700,601 S**
(45) **Date of Patent:** **** Mar. 4, 2014**

(54) **PERSONAL COMPUTER**

(75) Inventors: **Kohei Okamoto**, Kawasaki (JP);
Hiroyuki Fujita, Tokyo (JP); **Takashi Teshima**, Tokyo (JP)

(73) Assignee: **Fujitsu Limited**, Kawasaki (JP)

(**) Term: **14 Years**

(21) Appl. No.: **29/430,492**

(22) Filed: **Aug. 27, 2012**

(30) **Foreign Application Priority Data**

Feb. 27, 2012 (JP) D2012-004075

(51) **LOC (10) Cl.** **14-02**

(52) **U.S. Cl.**
USPC **D14/318**

(58) **Field of Classification Search**
USPC D14/315-327; D18/1, 2, 7, 11;
235/145 A, 145 R; 341/22, 23; 345/104,
345/156, 168, 169, 173; 361/679.08,
361/679.09, 679.11, 679.26, 679.27
See application file for complete search history.

(56) **References Cited**

U.S. PATENT DOCUMENTS

D368,708 S * 4/1996 Maynard et al. D14/456
6,785,128 B1 * 8/2004 Yun 361/679.27
D495,691 S * 9/2004 Takada et al. D14/318

D502,177 S * 2/2005 Takada et al. D14/318
D517,063 S * 3/2006 Nakajima et al. D14/318
D559,247 S * 1/2008 Kawase D14/318
D566,112 S * 4/2008 Kawami et al. D14/318
7,916,889 B2 * 3/2011 Takakusaki 381/388
D670,697 S * 11/2012 Brown D14/391
2005/0041378 A1 * 2/2005 Hamada et al. 361/680

* cited by examiner

Primary Examiner — Freda S Nunn

(74) *Attorney, Agent, or Firm* — Staas & Halsey LLP

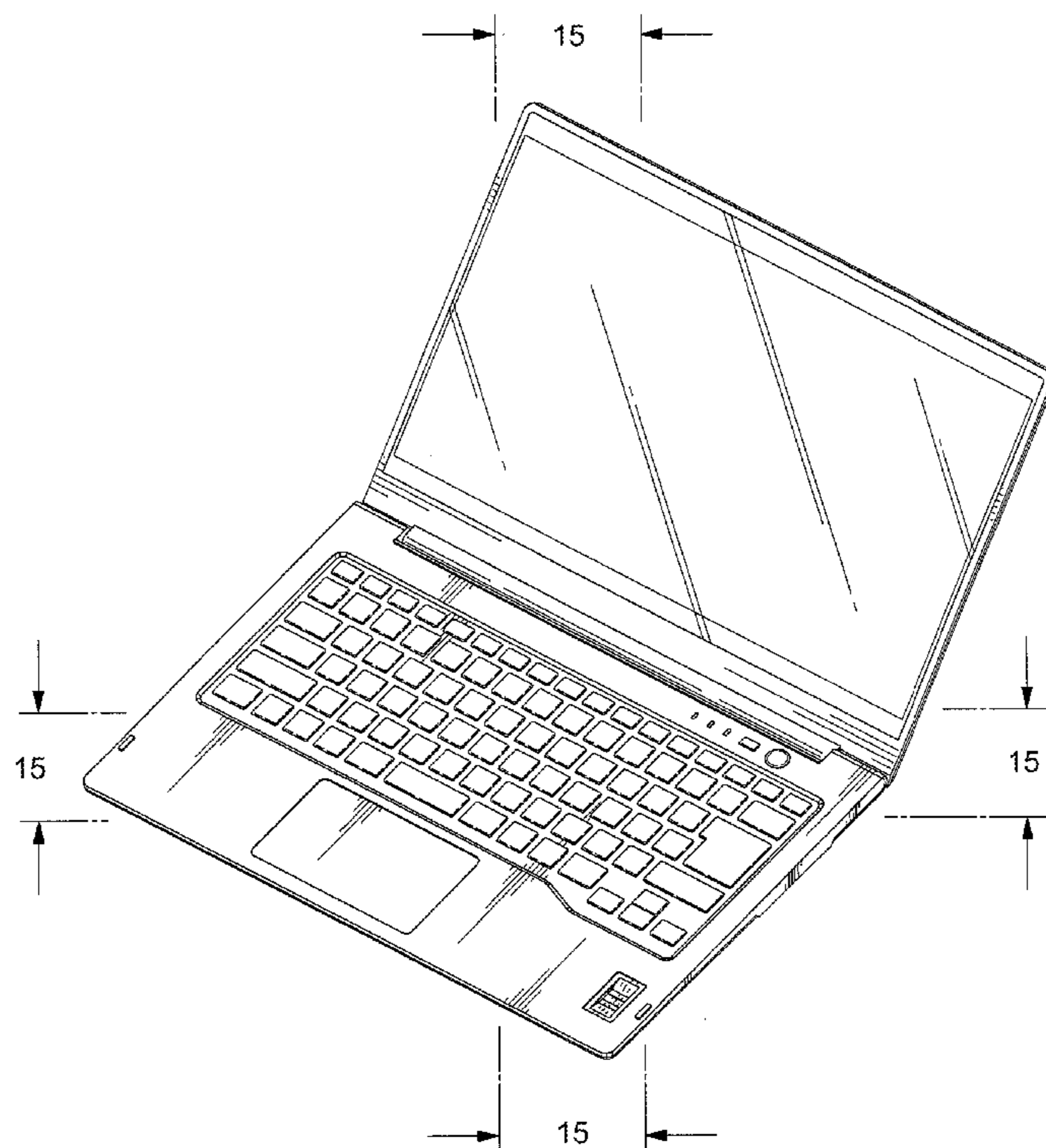
(57) **CLAIM**

The ornamental design for a personal computer, as shown and described.

DESCRIPTION

FIG. 1 is a perspective view of front, top and right side of a personal computer showing our new design;
FIG. 2 is a front view thereof;
FIG. 3 is a rear view thereof;
FIG. 4 is a left side view thereof;
FIG. 5 is a right side view thereof;
FIG. 6 is a top view thereof;
FIG. 7 is a bottom view thereof;
FIG. 8 is a perspective view of front, top and right side thereof showing a lid opened;
FIG. 9 is a front view thereof showing the lid opened;
FIG. 10 is a rear view thereof showing the lid opened;
FIG. 11 is a left side view thereof showing the lid opened;
FIG. 12 is a right side view thereof showing the lid opened;
FIG. 13 is a top view thereof showing the lid opened;
FIG. 14 is a bottom view thereof showing the lid opened; and,
FIG. 15 is a partially enlarged view thereof at 15-15 in FIG. 8.

1 Claim, 9 Drawing Sheets



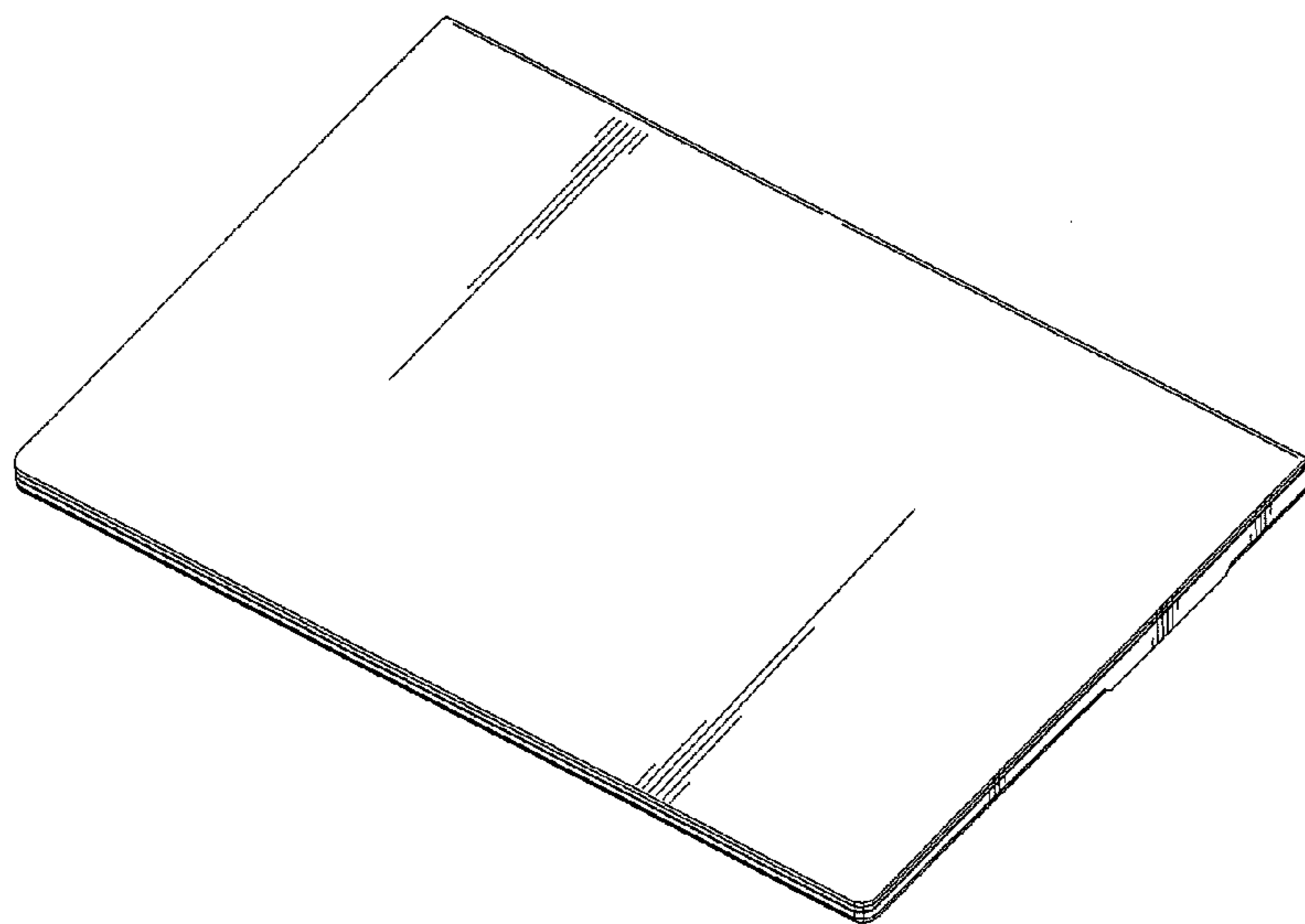


FIG. 1

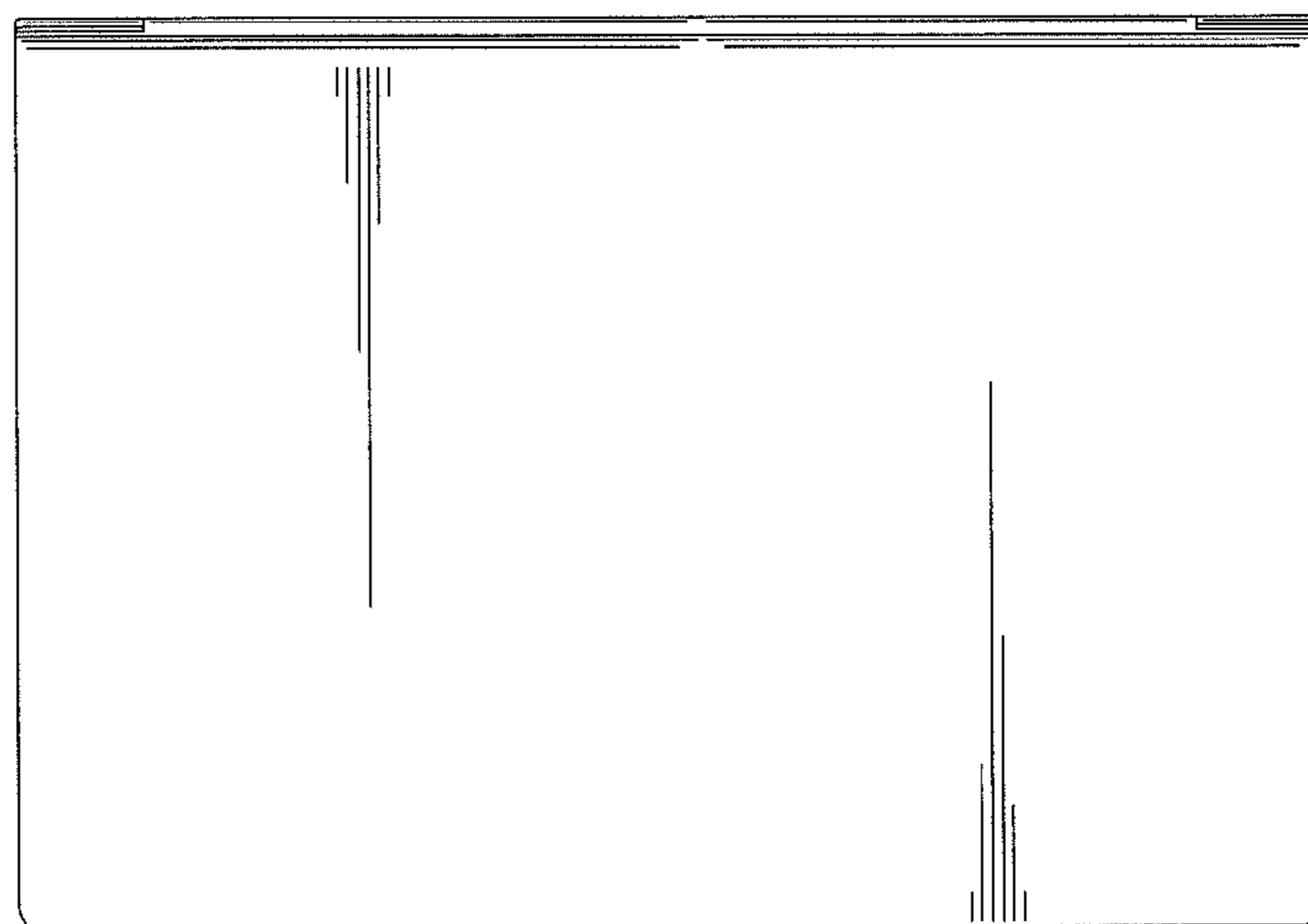


FIG. 2

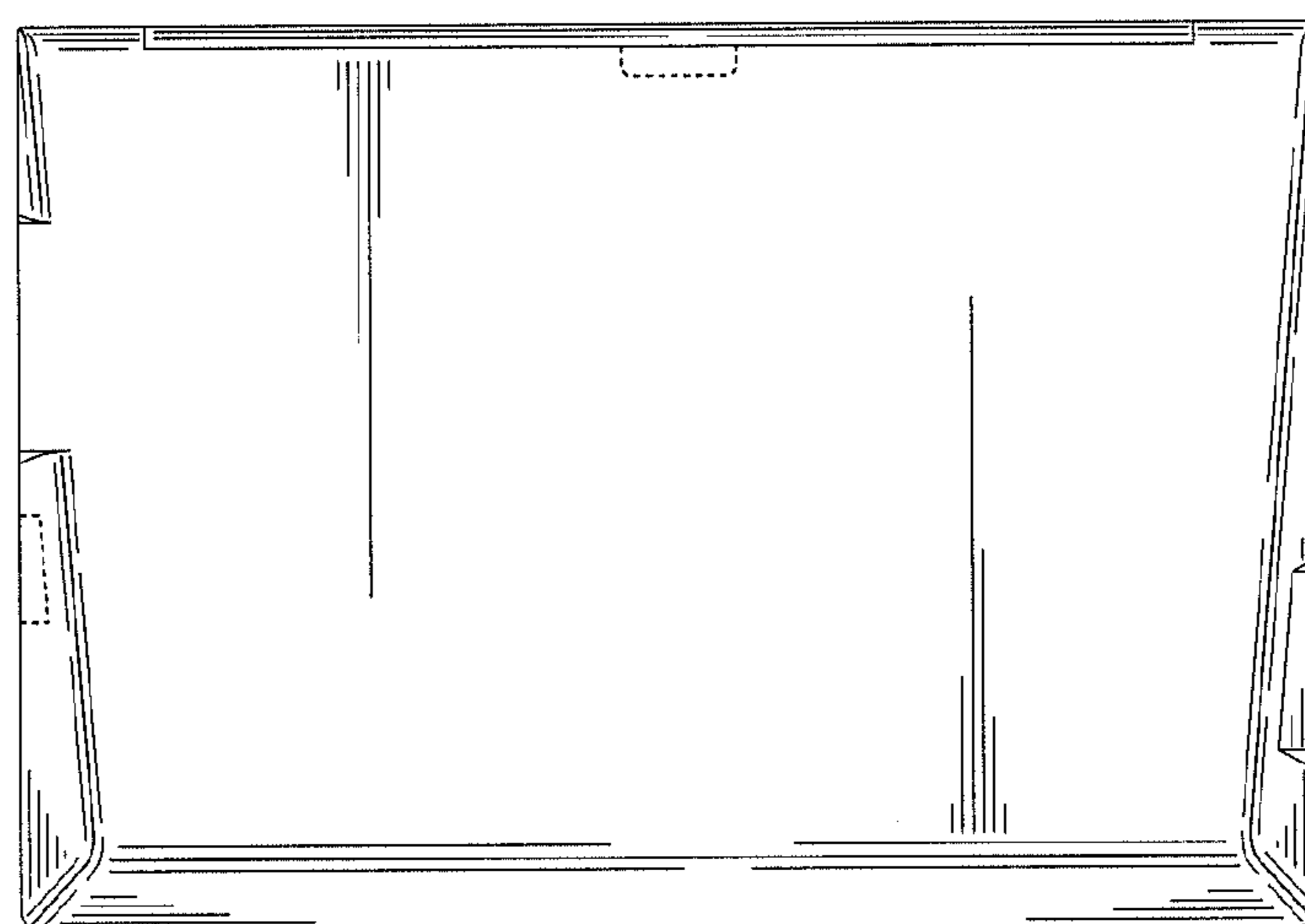


FIG. 3



FIG. 4



FIG. 5

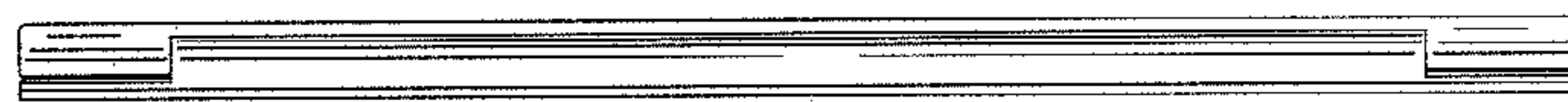


FIG. 6



FIG. 7

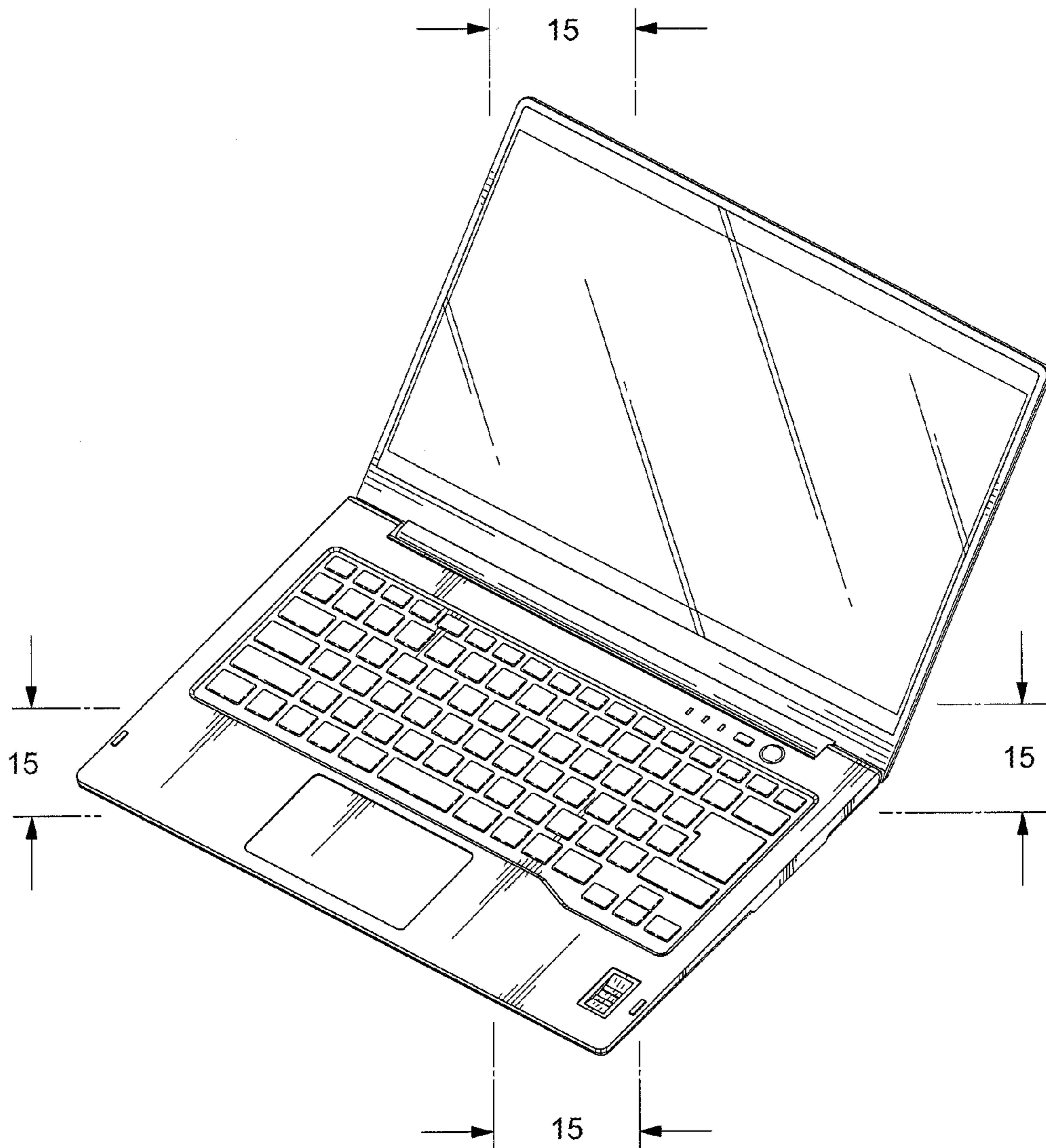


FIG. 8

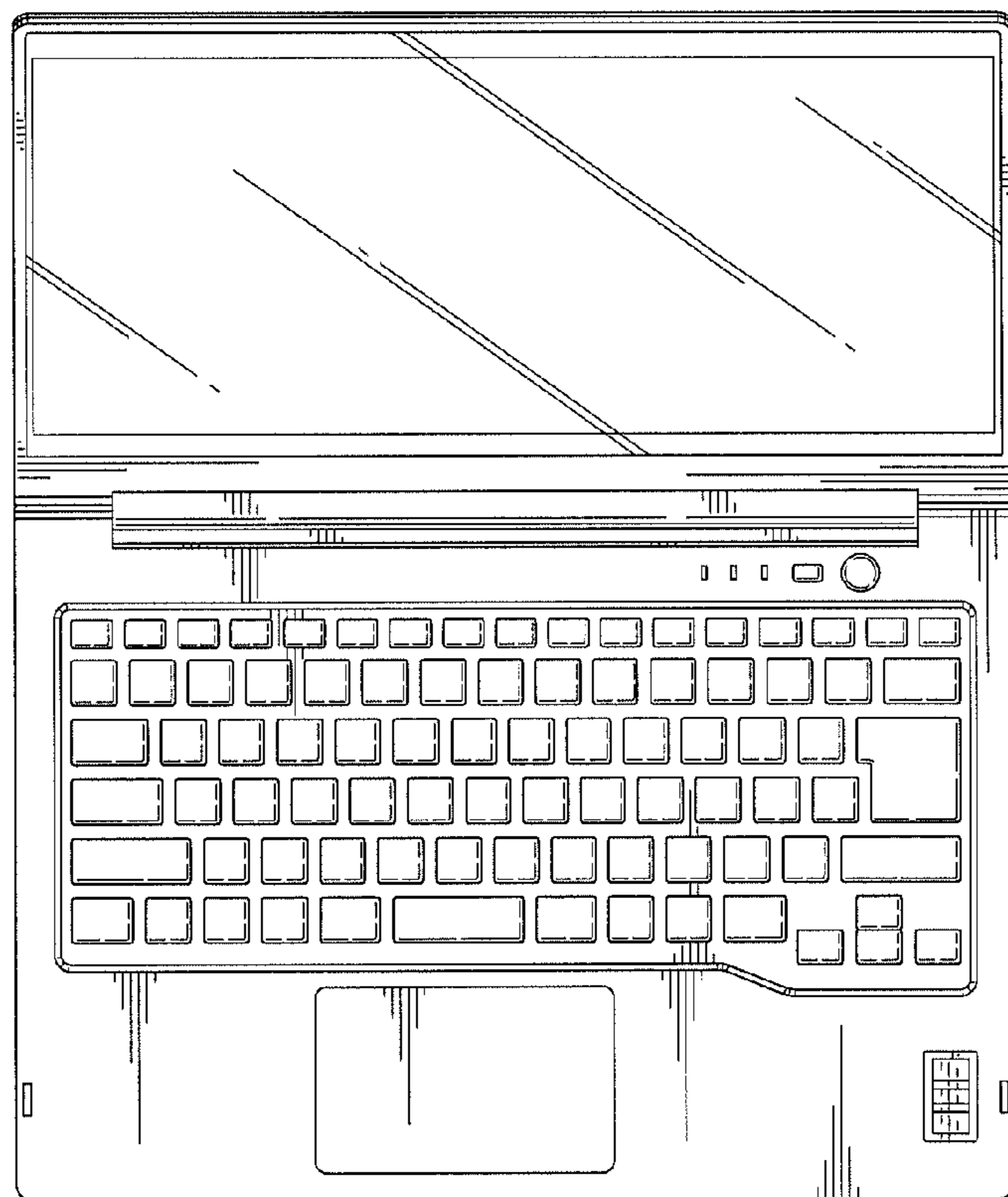


FIG. 9

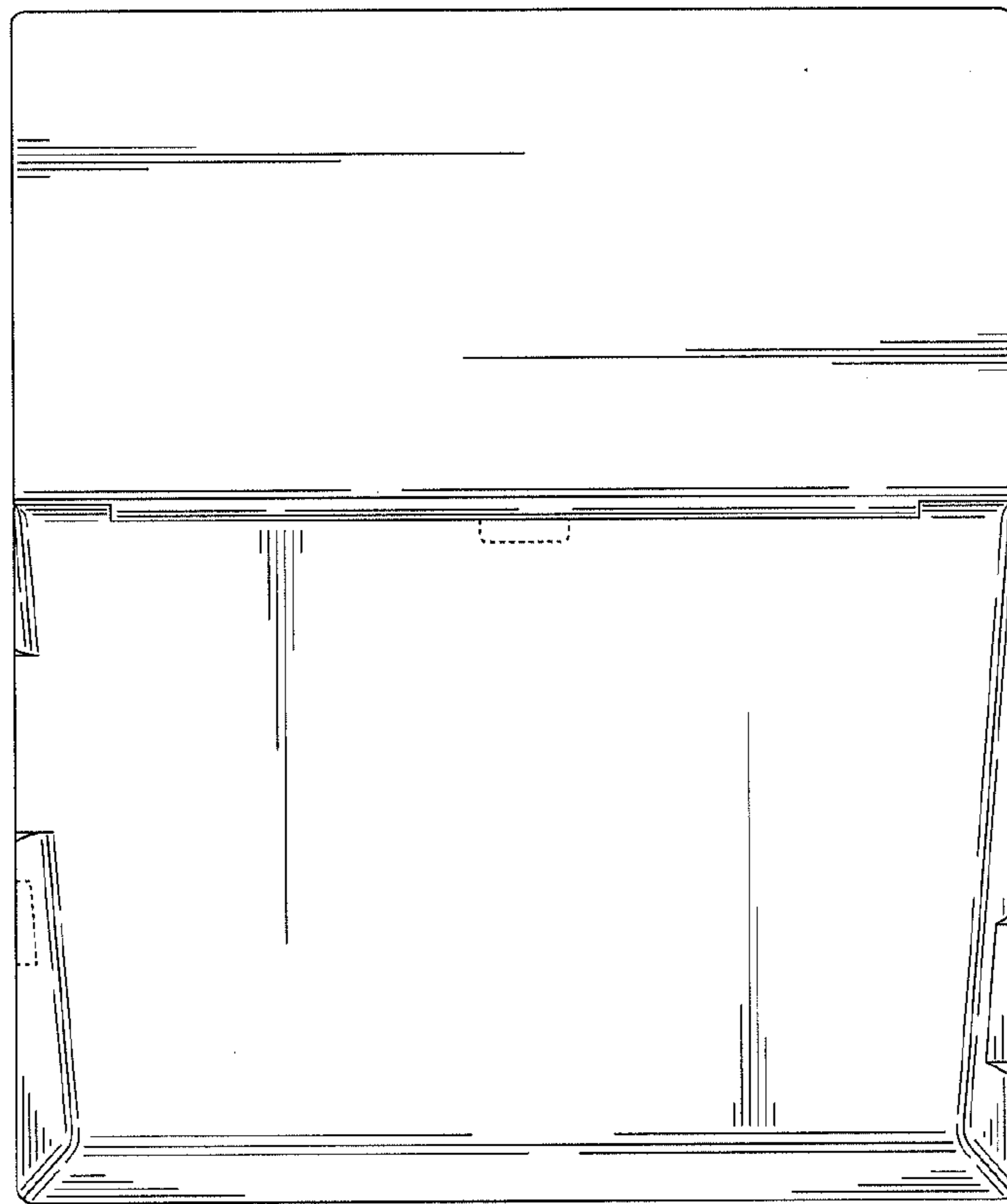


FIG. 10

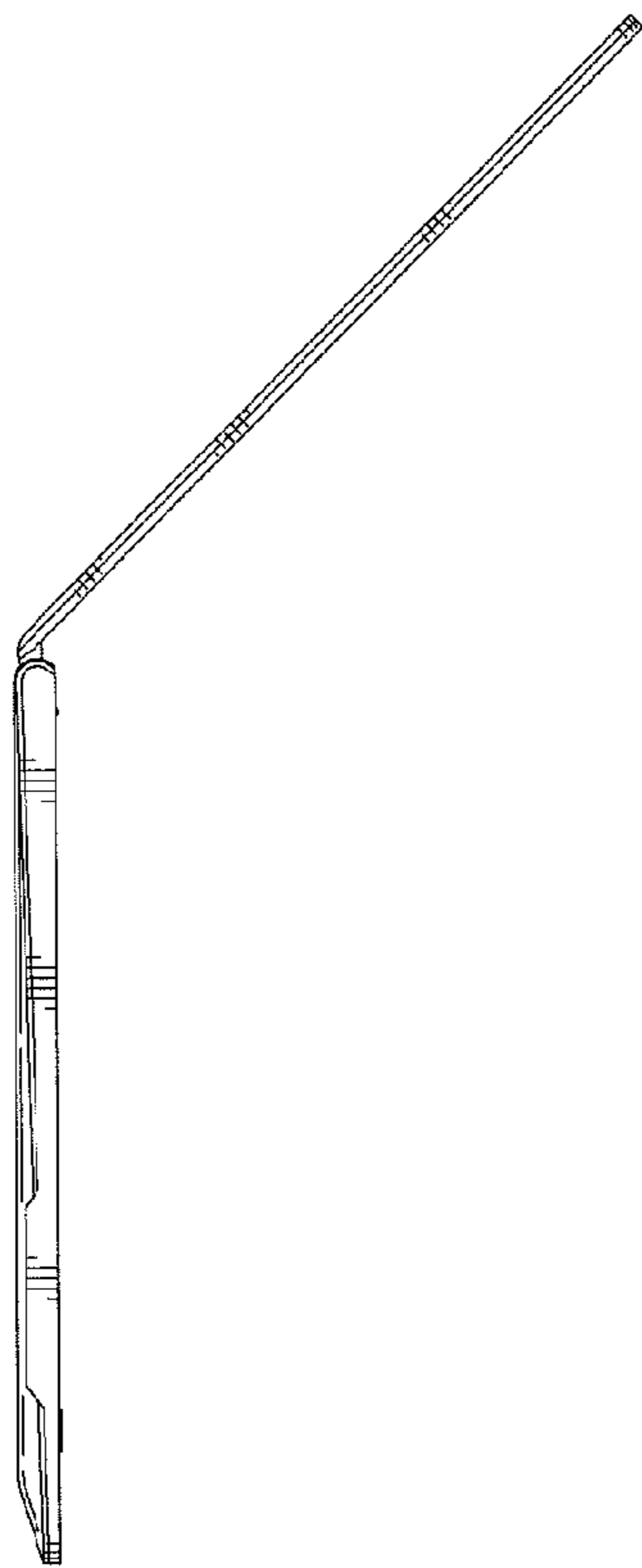


FIG. 11

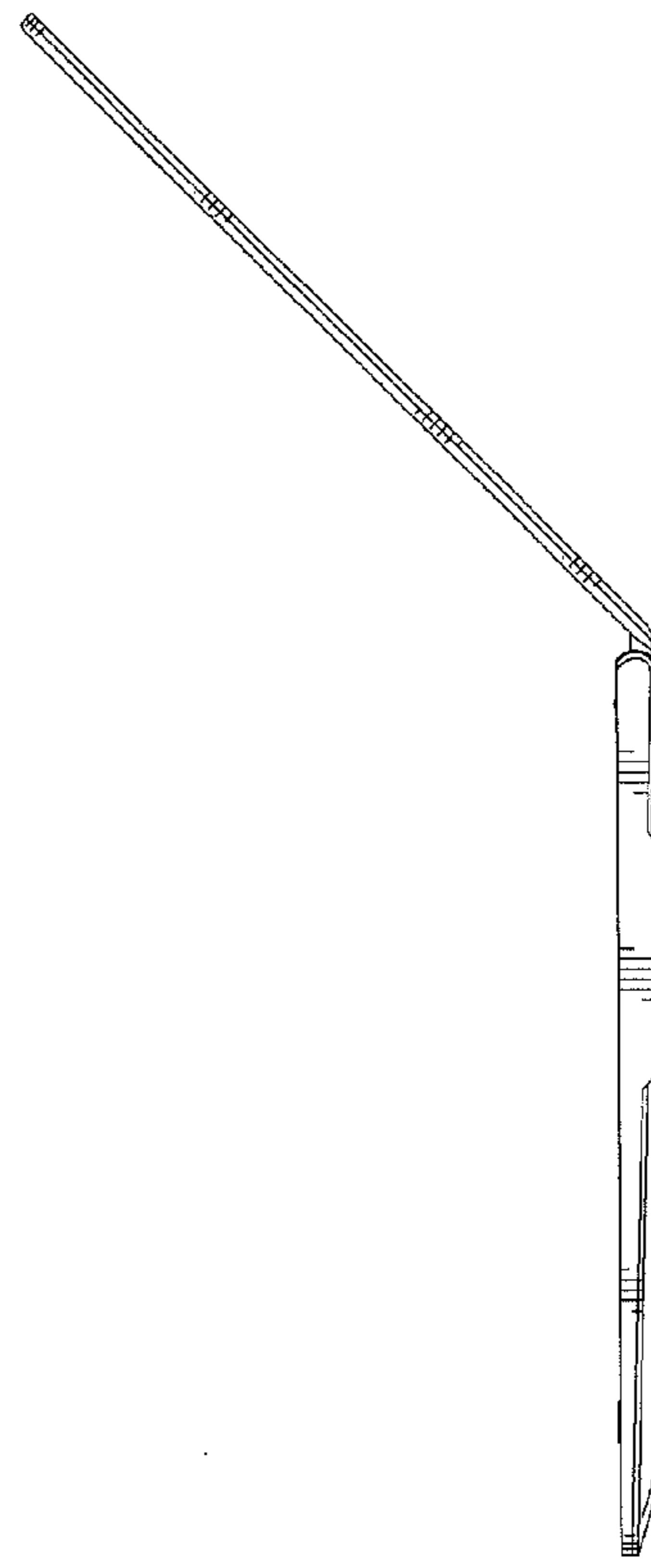


FIG. 12

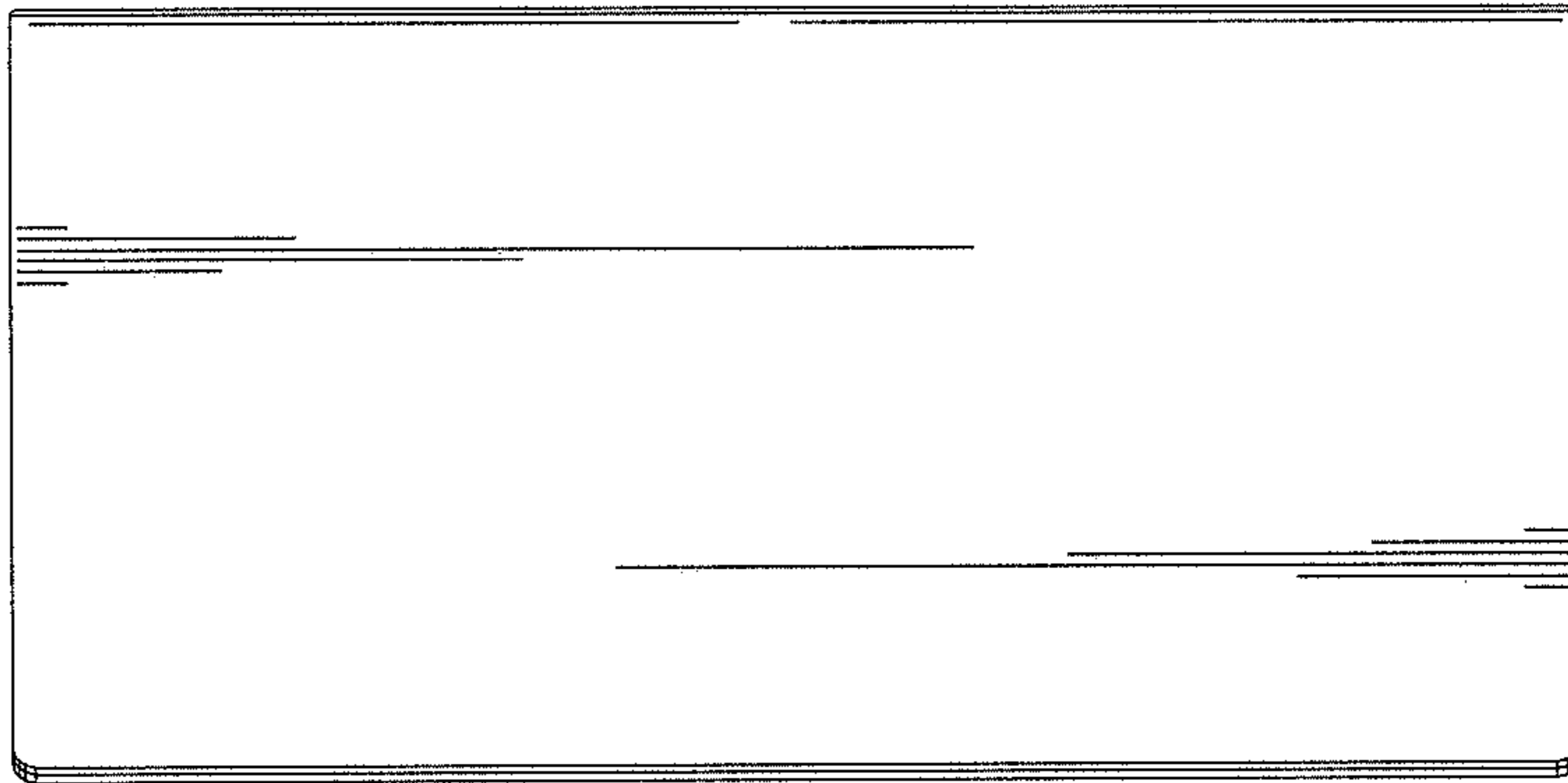


FIG. 13

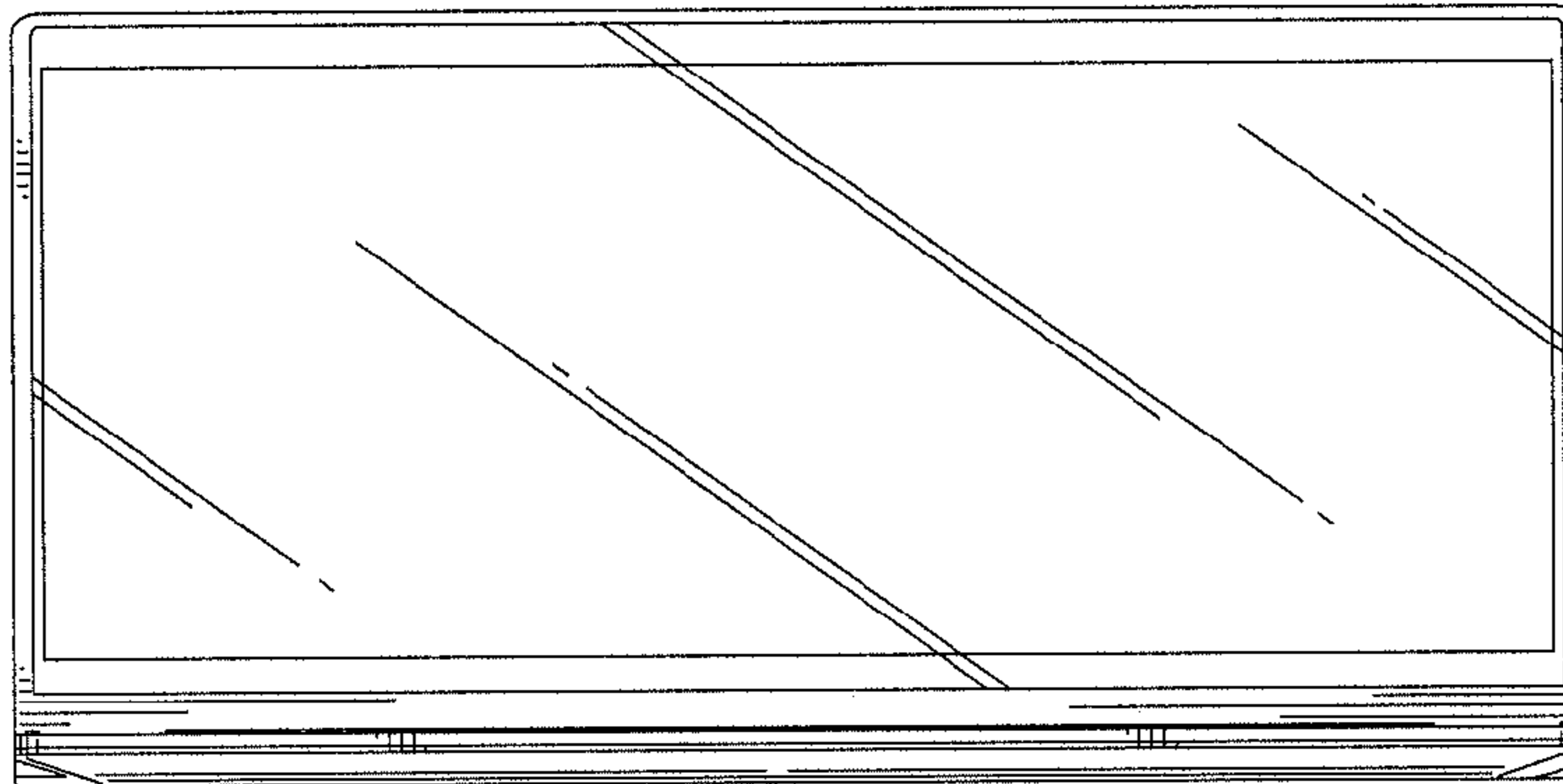


FIG. 14

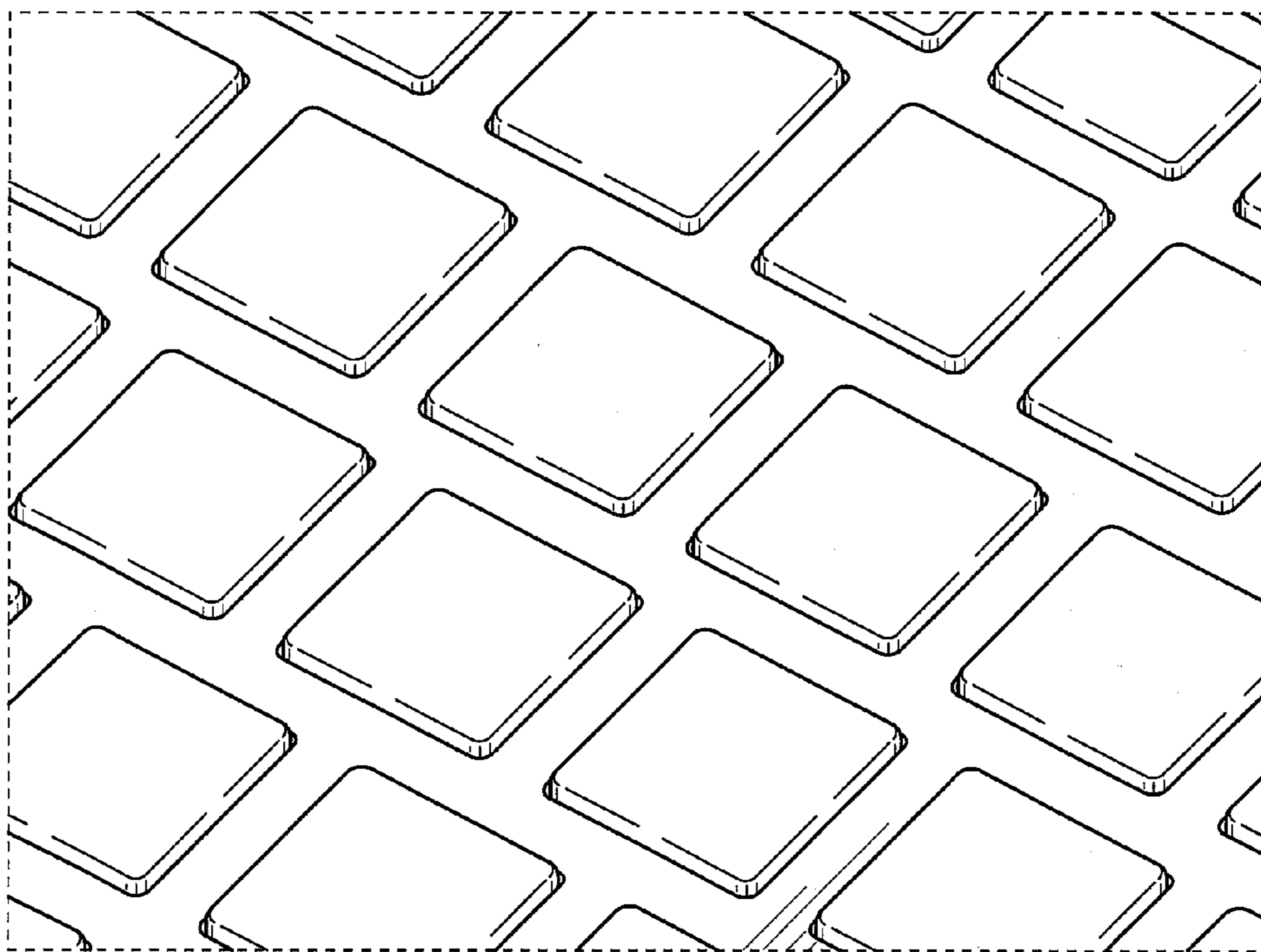


FIG. 15