



US00D700600S

(12) **United States Design Patent**
Matsuoka

(10) **Patent No.:** **US D700,600 S**
(45) **Date of Patent:** **** Mar. 4, 2014**

(54) **DISPLAY AND BASE PORTION OF A COMPUTING DEVICE**

(75) Inventor: **Yoshimichi Matsuoka**, Cupertino, CA (US)

(73) Assignee: **Google Inc.**, Mountain View, CA (US)

(**) Term: **14 Years**

(21) Appl. No.: **29/431,700**

(22) Filed: **Sep. 10, 2012**

(51) **LOC (10) Cl.** **14-02**

(52) **U.S. Cl.**
USPC **D14/315**

(58) **Field of Classification Search**
USPC D14/315-327; D18/1, 2, 7, 11;
235/145 A, 145 R; 341/22, 23; 345/104,
345/156, 168, 169, 173; 361/679.06,
361/679.08, 679.09, 679.11, 679.26, 679.27
See application file for complete search history.

(56) **References Cited**

U.S. PATENT DOCUMENTS

5,229,757 A 7/1993 Takamiya et al.
5,267,123 A * 11/1993 Boothroyd et al. 361/679.09

(Continued)

FOREIGN PATENT DOCUMENTS

WO 9603685 A1 2/1996
WO 2012092022 A1 7/2012

OTHER PUBLICATIONS

Non-Final Office Action Response for U.S. Appl. No. 12/979,588,
mailed Mar. 15, 2013, 20 pages.

(Continued)

Primary Examiner — Freda S Nunn

(74) *Attorney, Agent, or Firm* — Brake Hughes Bellermann
LLP

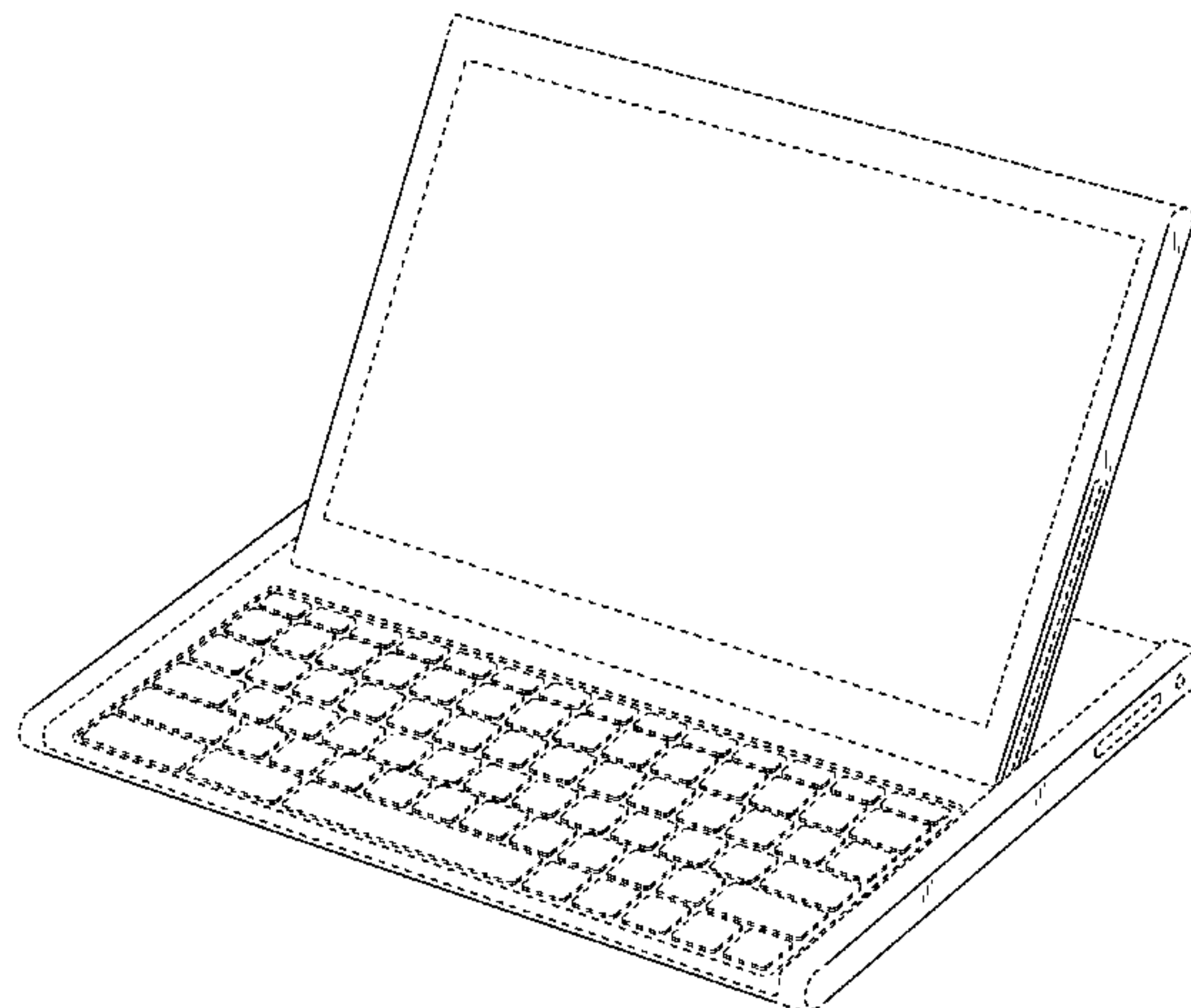
(57) **CLAIM**

The ornamental design for a display and base portion of a computing device, as shown and described.

DESCRIPTION

FIG. 1 is a front perspective view of a display and base portion of a computing device;
FIG. 2 is a rear perspective view of the display and base portion of the computing device shown in FIG. 1;
FIG. 3 is a front view of the computing device shown in FIG. 1;
FIG. 4 is a rear view of the computing device shown in FIG. 1;
FIG. 5 is a top view of the computing device shown in FIG. 1;
FIG. 6 is a bottom view of the computing device shown in FIG. 1;
FIG. 7 is a left-side view of the computing device shown in FIG. 1;
FIG. 8 is a right-side view of the computing device shown in FIG. 1;
FIG. 9 is a front perspective view of a display and base portion of another computing device;
FIG. 10 is a rear perspective view of the display and base portion of the computing device shown in FIG. 10;
FIG. 11 is a front view of the computing device shown in FIG. 10;
FIG. 12 is a rear view of the computing device shown in FIG. 10;
FIG. 13 is a top view of the computing device shown in FIG. 10;
FIG. 14 is a bottom view of the computing device shown in FIG. 10;
FIG. 15 is a left-side view of the computing device shown in FIG. 10; and,
FIG. 16 is a right-side view of the computing device shown in FIG. 10.
The broken lines shown in the drawings illustrate portions of the portable computer and form no part of the claimed design.

1 Claim, 16 Drawing Sheets



(56)

References Cited

U.S. PATENT DOCUMENTS

5,548,478	A	8/1996	Kumar et al.	
5,708,561	A	1/1998	Huilgol et al.	
5,805,415	A	9/1998	Tran et al.	
6,384,811	B1 *	5/2002	Kung et al.	345/168
6,392,877	B1	5/2002	Iredale	
6,404,622	B1	6/2002	Chen	
6,522,529	B1	2/2003	Huilgol et al.	
6,714,403	B2 *	3/2004	Furuki et al.	361/679.09
6,751,090	B1	6/2004	Yang	
6,816,365	B2	11/2004	Hill et al.	
6,842,338	B2	1/2005	Iredale	
D517,541	S *	3/2006	Maskatia	D14/318
D519,500	S *	4/2006	Maskatia et al.	D14/318
7,092,246	B2	8/2006	Tanaka et al.	
D528,541	S *	9/2006	Maskatia	D14/315
7,107,084	B2	9/2006	Duarte et al.	
7,129,931	B2	10/2006	Pappas	
7,203,058	B2 *	4/2007	Hong	361/679.06
7,215,538	B1	5/2007	Chen et al.	
7,646,593	B2	1/2010	Smejkalova	

7,679,890	B2	3/2010	Yang	
7,755,904	B2	7/2010	Wu et al.	
D621,827	S *	8/2010	Cheng et al.	D14/327
D649,543	S *	11/2011	Tseng et al.	D14/315
2005/0041378	A1 *	2/2005	Hamada et al.	361/680
2005/0041381	A1	2/2005	Maskatia et al.	
2005/0122318	A1	6/2005	Tonouchi et al.	
2006/0267947	A1	11/2006	Nishiyama et al.	
2008/0047102	A1	2/2008	Kim	
2008/0120809	A1	5/2008	Nakasone	
2008/0238816	A1	10/2008	Matsushita	
2010/0014237	A1	1/2010	Takizawa	
2011/0211307	A1	9/2011	Takizawa	
2012/0162889	A1	6/2012	Han	

OTHER PUBLICATIONS

Search Report and Written Opinion for International Application No. PCT/US2011/066182, mailed Mar. 8, 2012, 19 pages.
 Non-Final Office Action for U.S. Appl. No. 12/979,588, mailed Oct. 12, 2012, 23 pages.

* cited by examiner

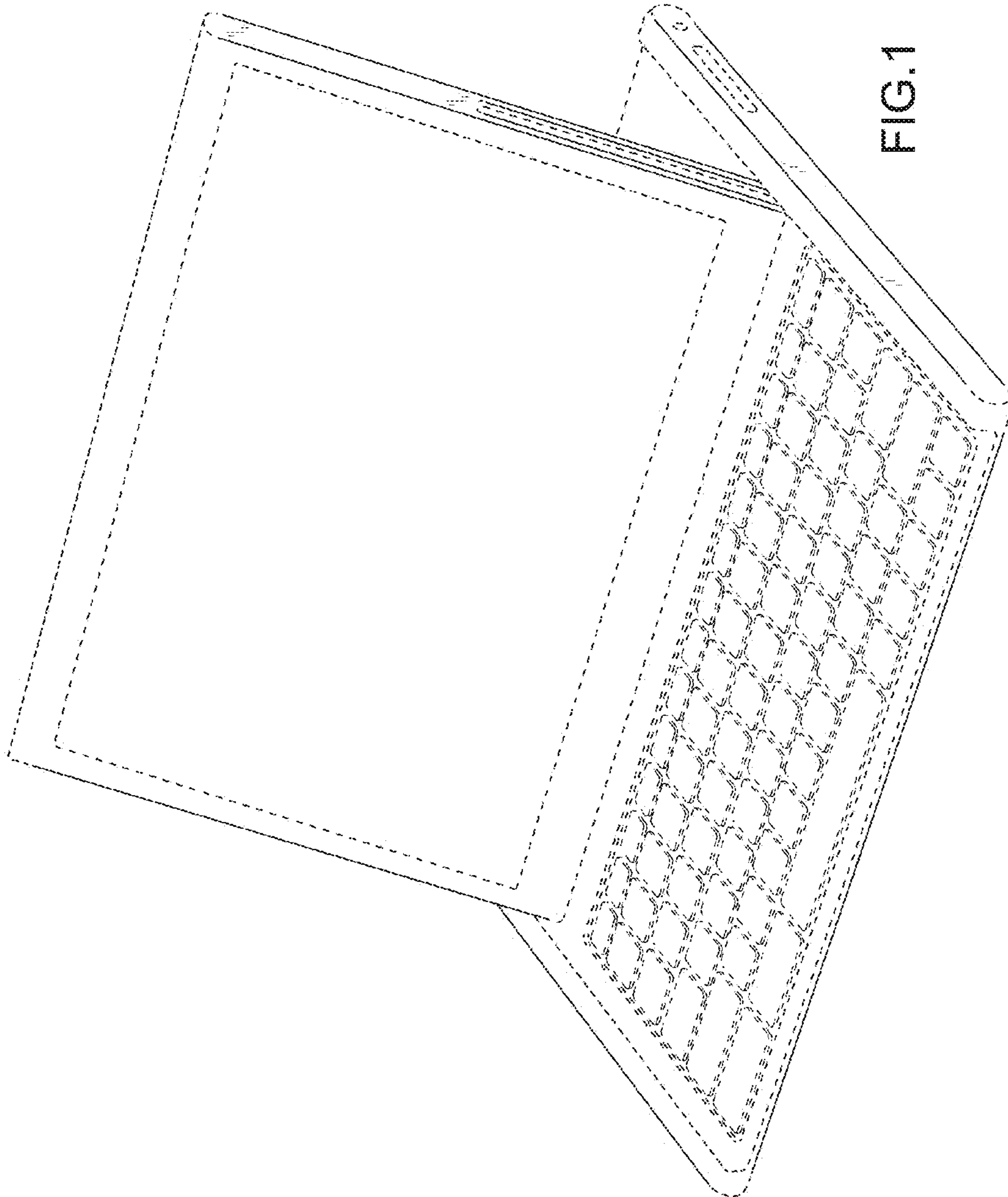


FIG. 1

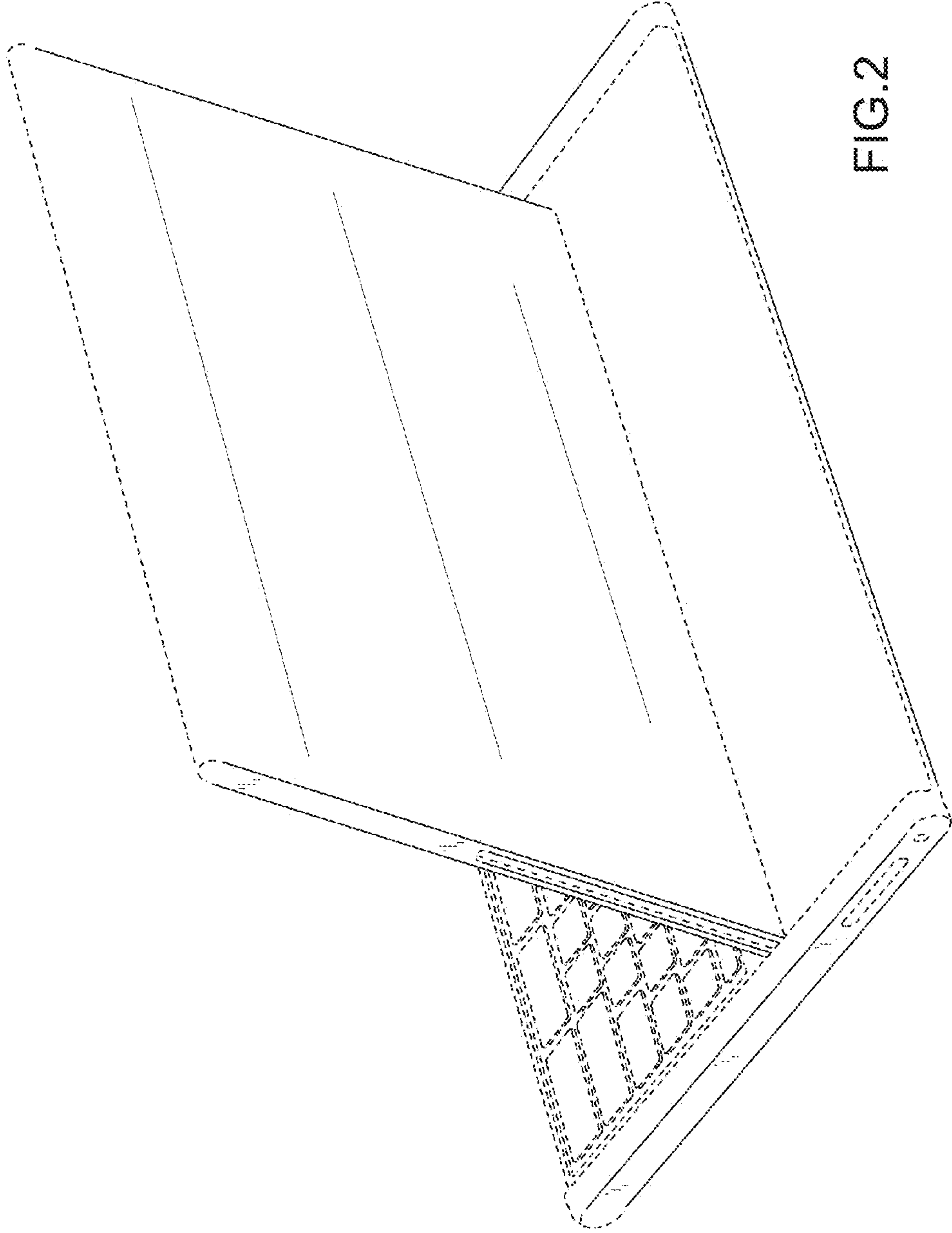


FIG.2

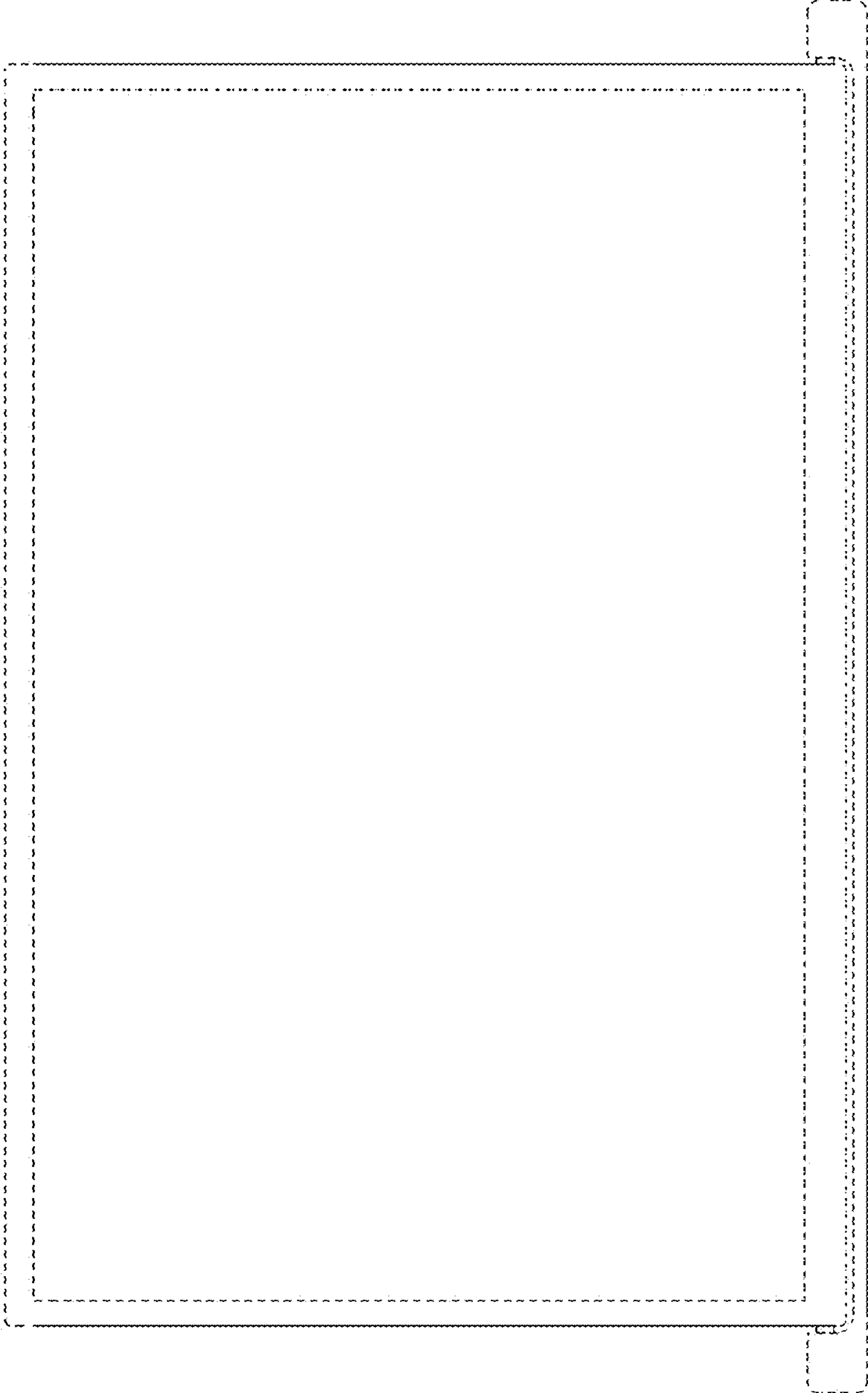


FIG.3

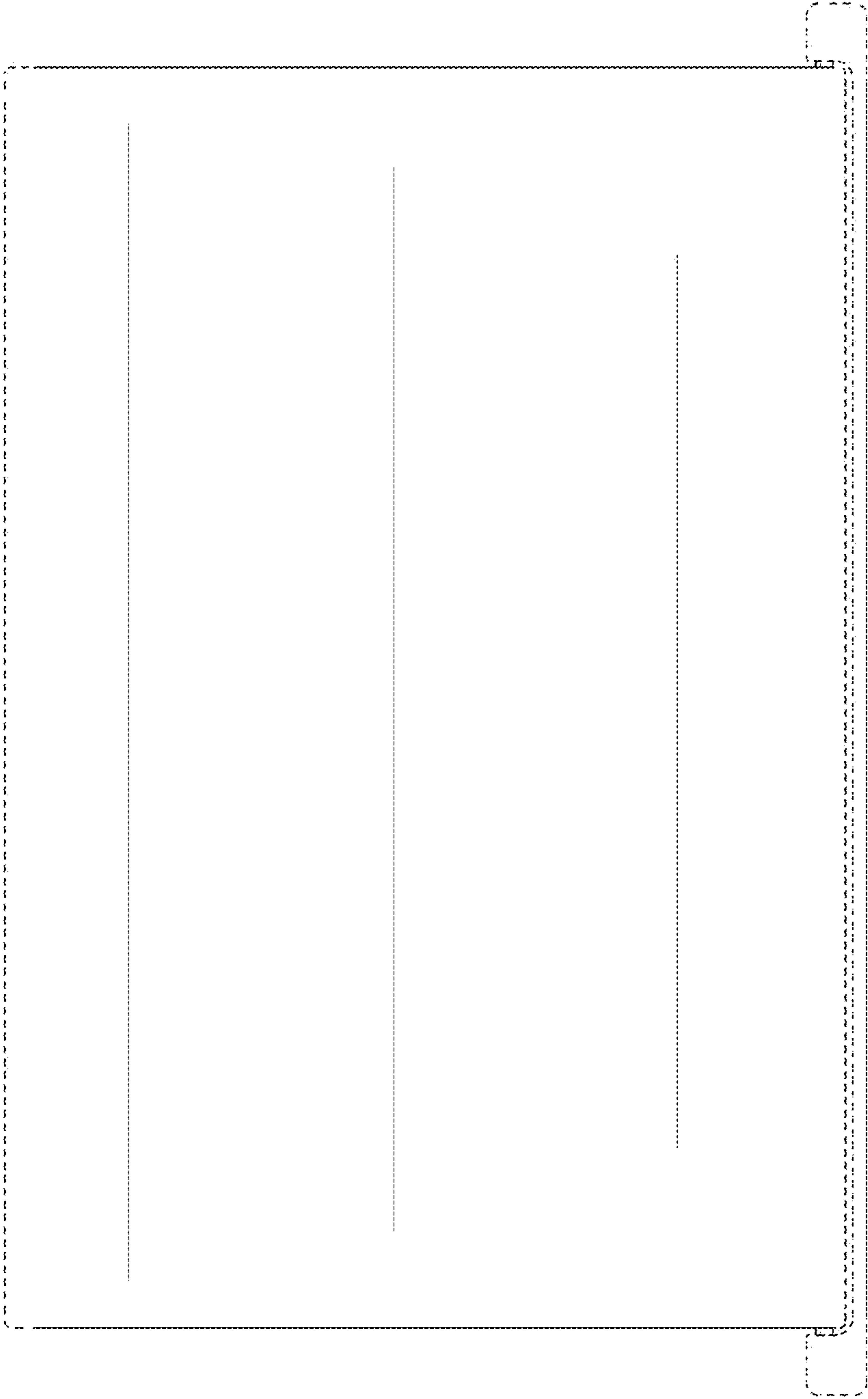


FIG.4

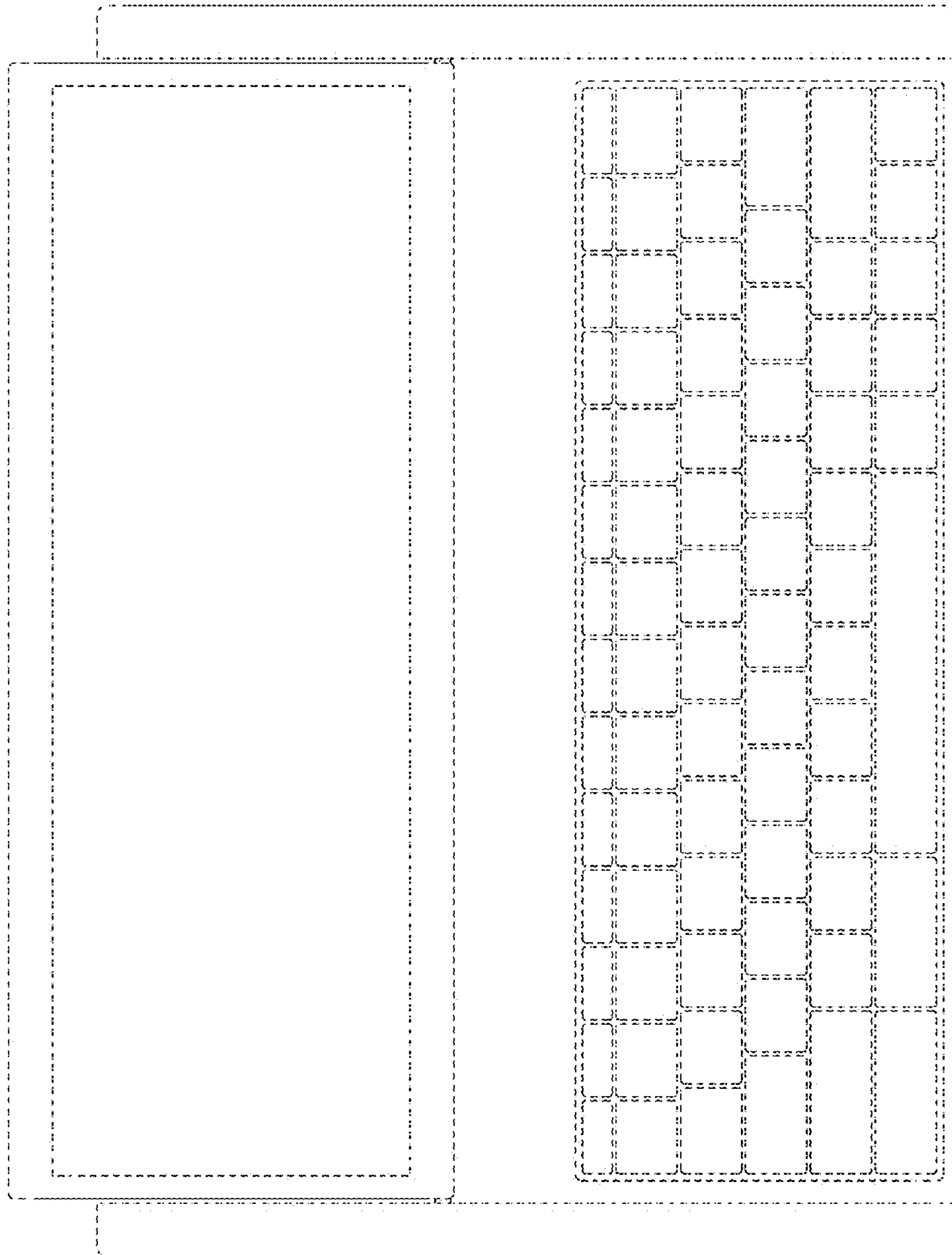


FIG. 5

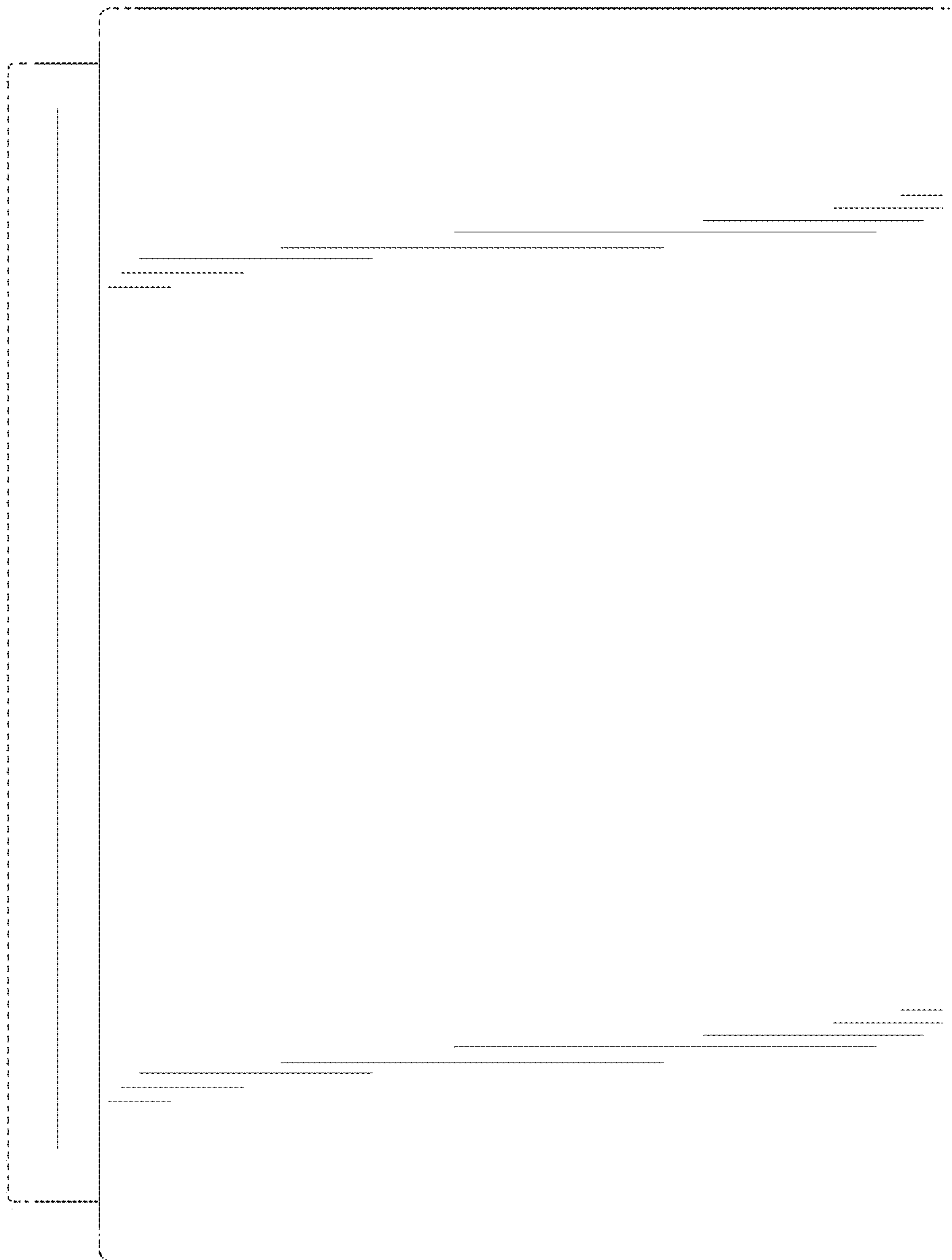
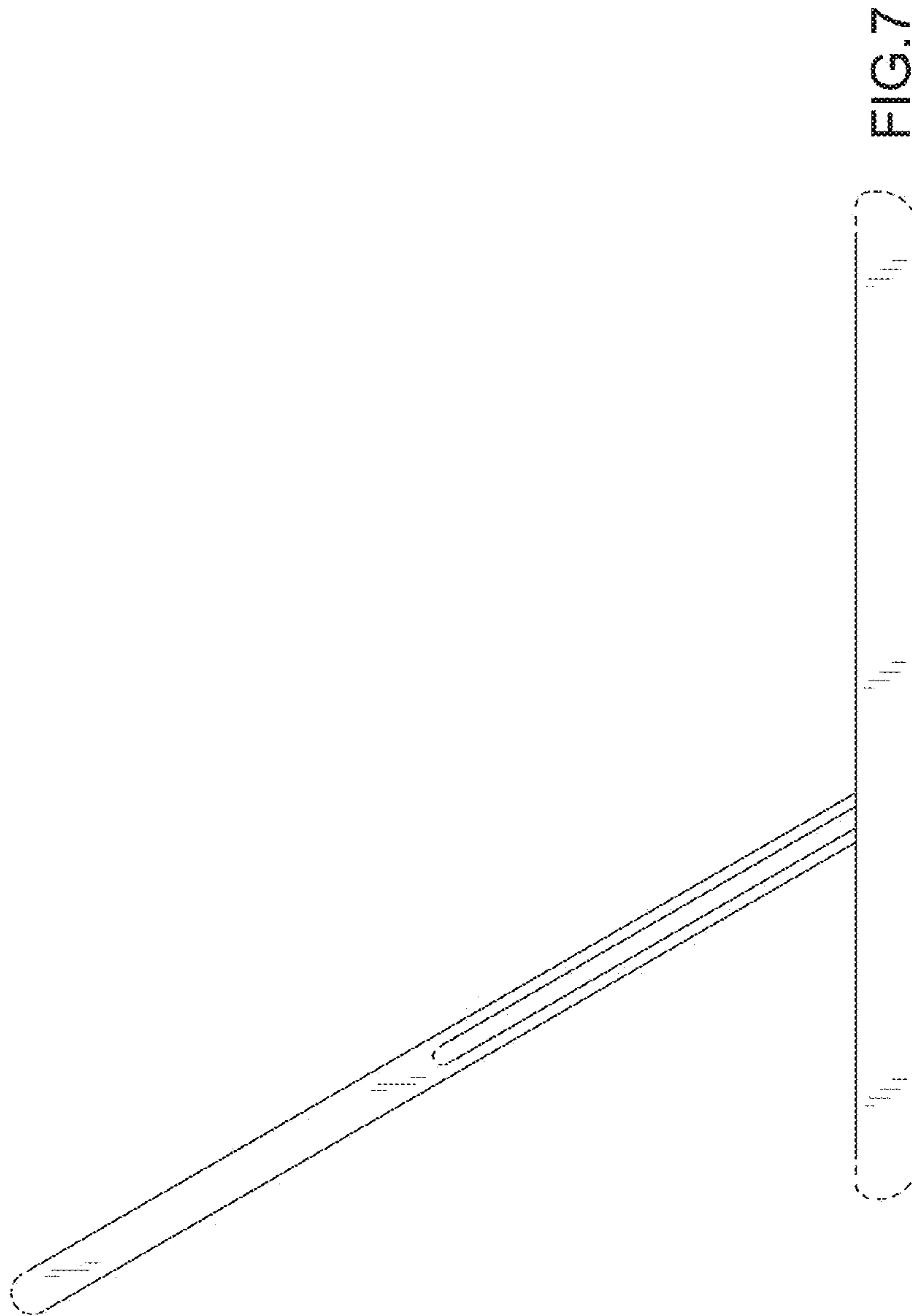


FIG. 6



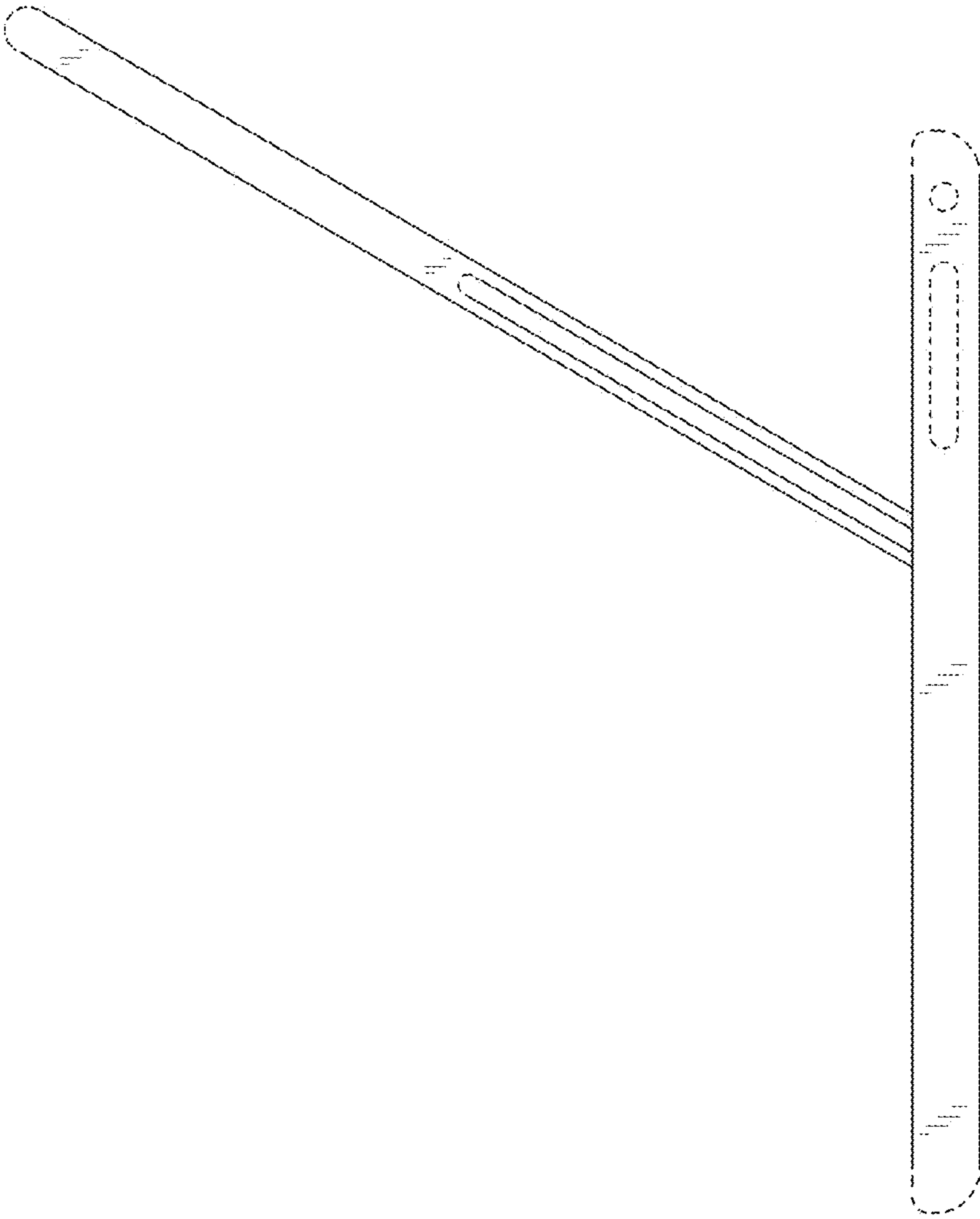


FIG. 8

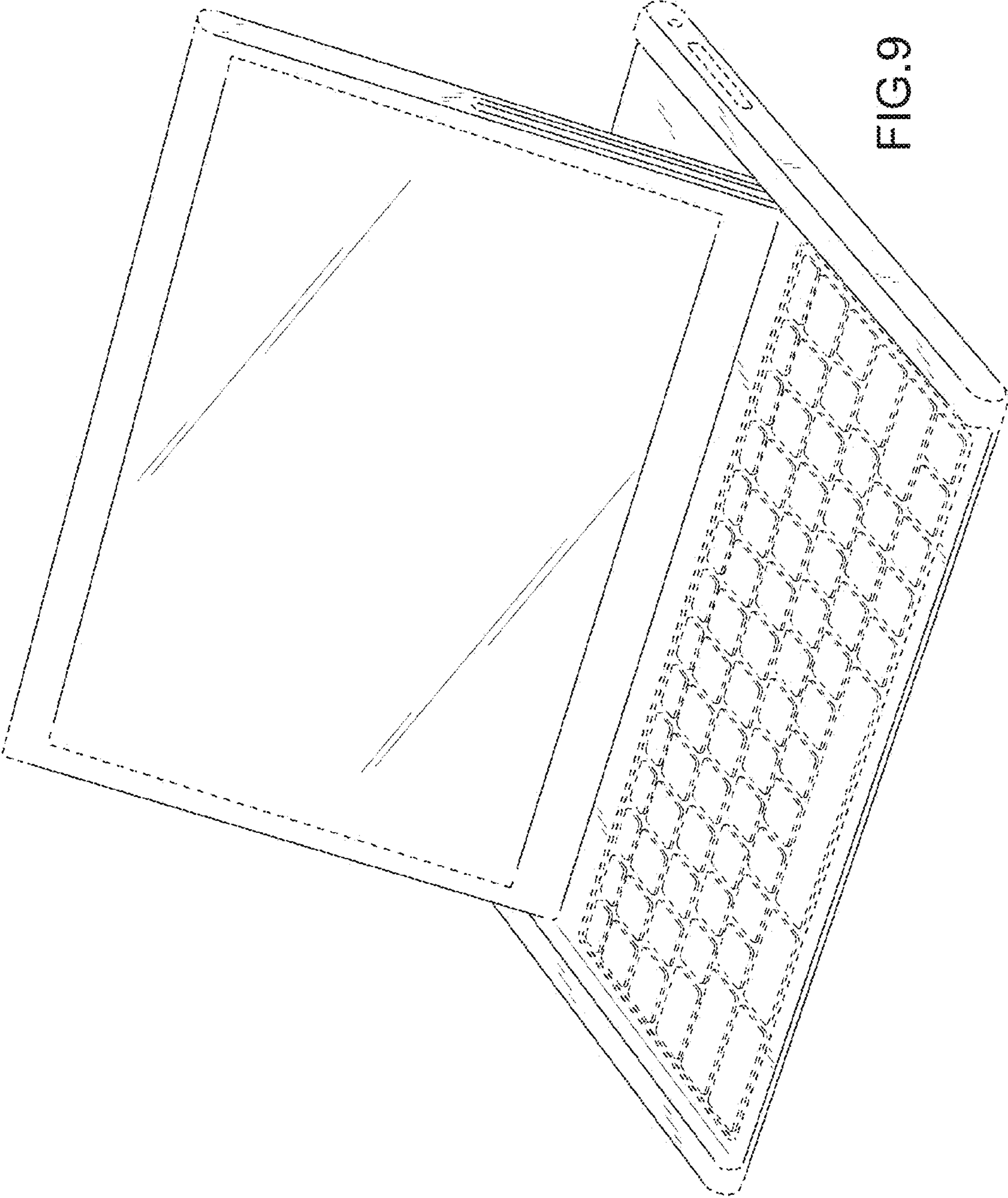


FIG. 9

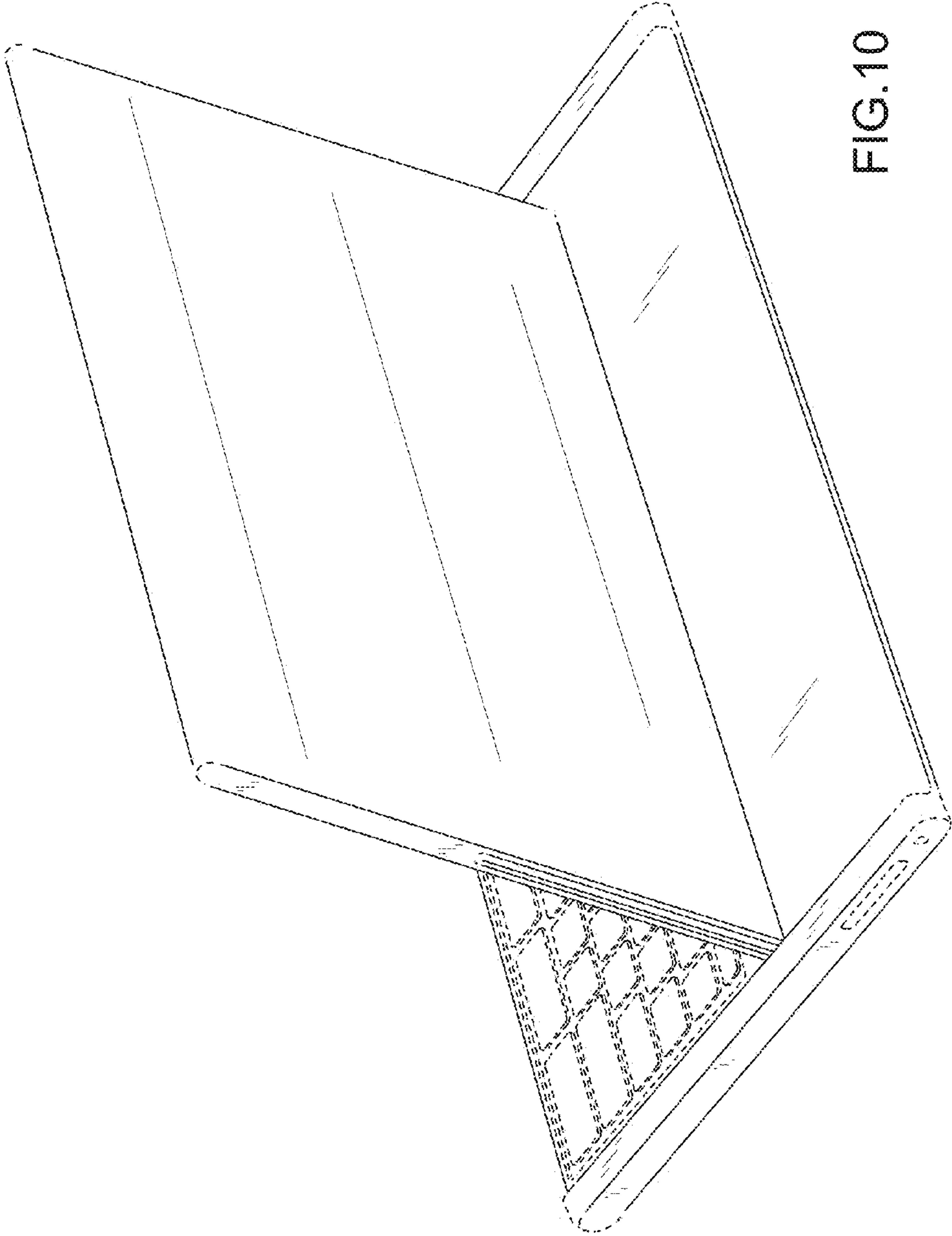


FIG.10

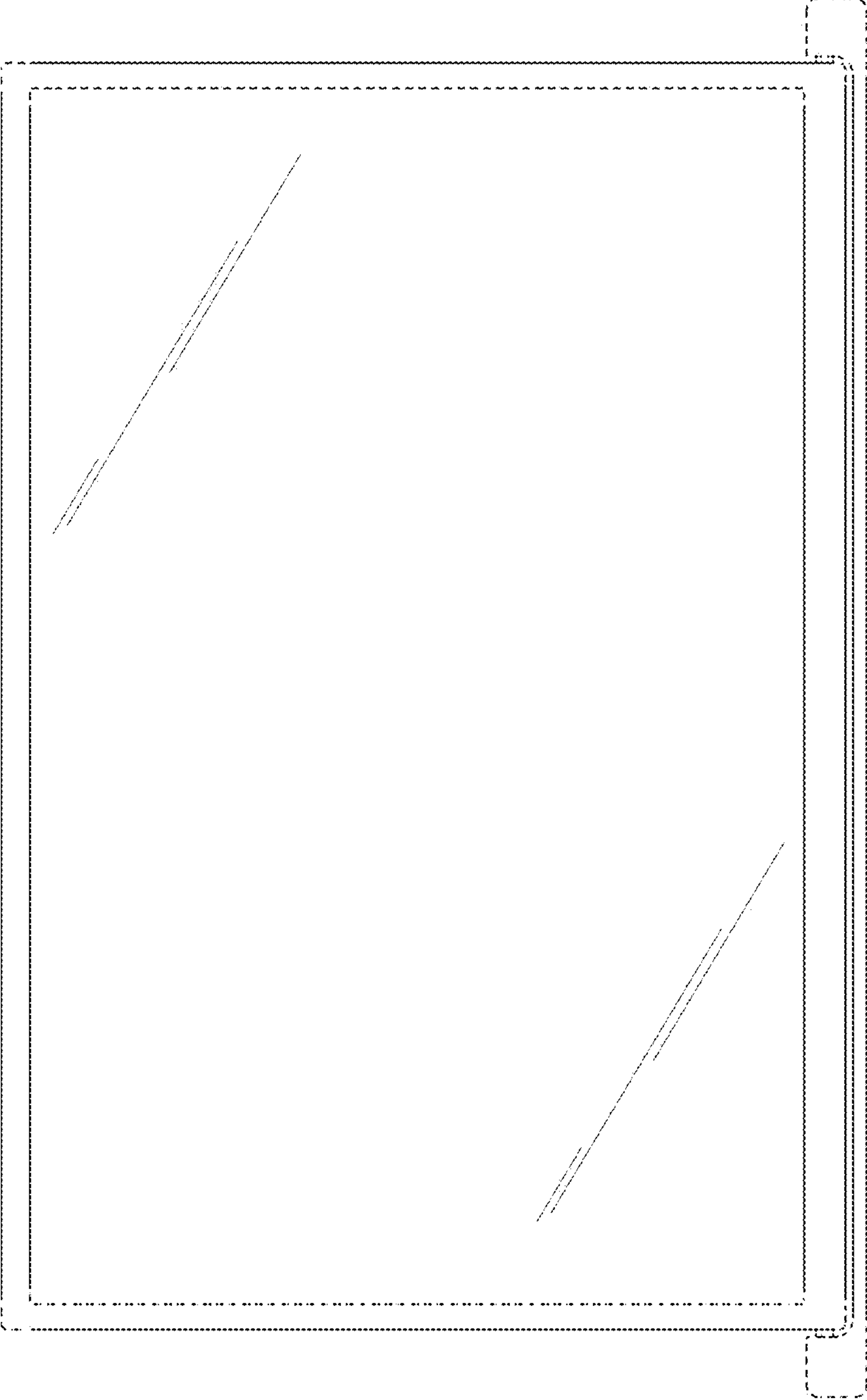


FIG.11

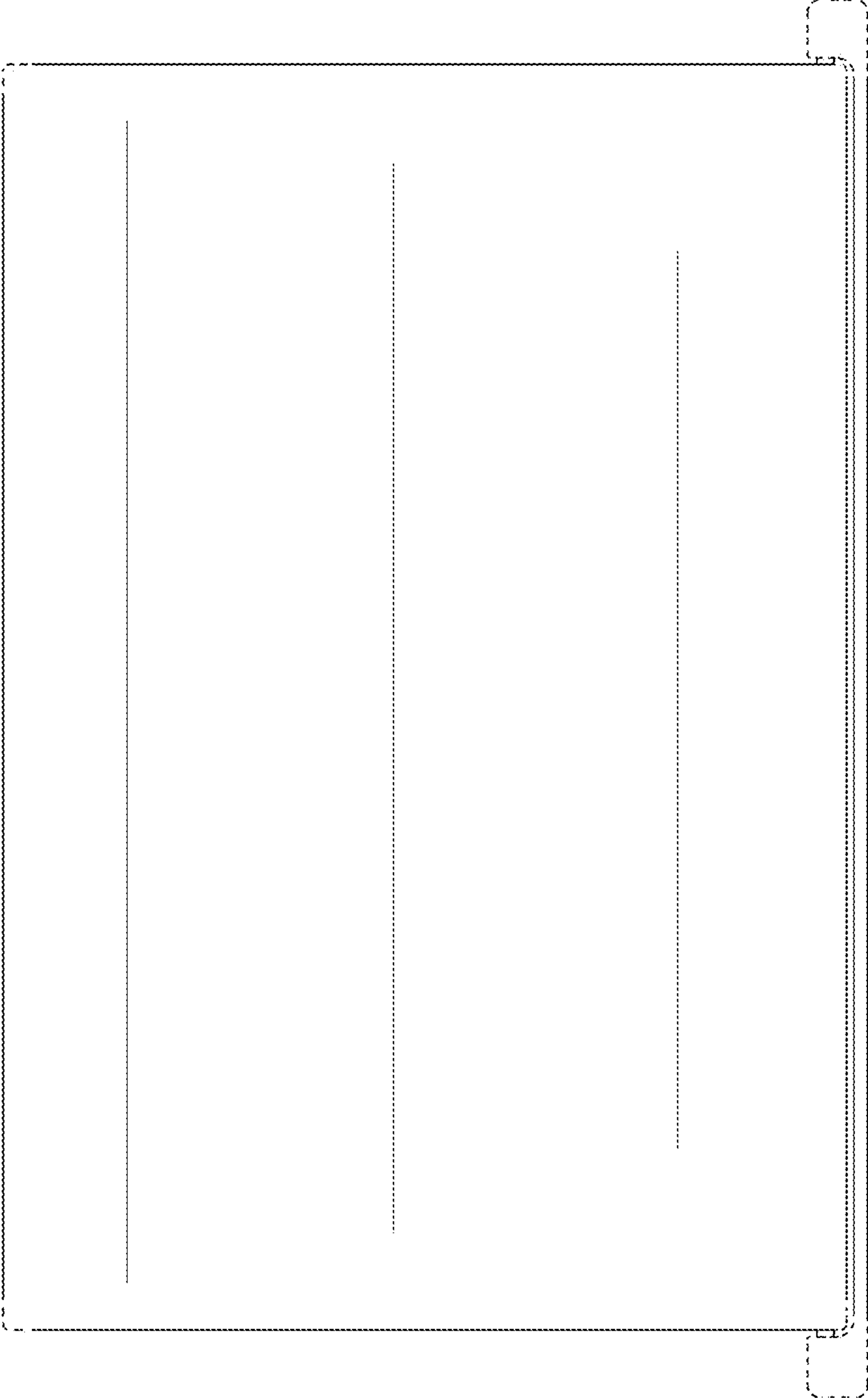


FIG.12

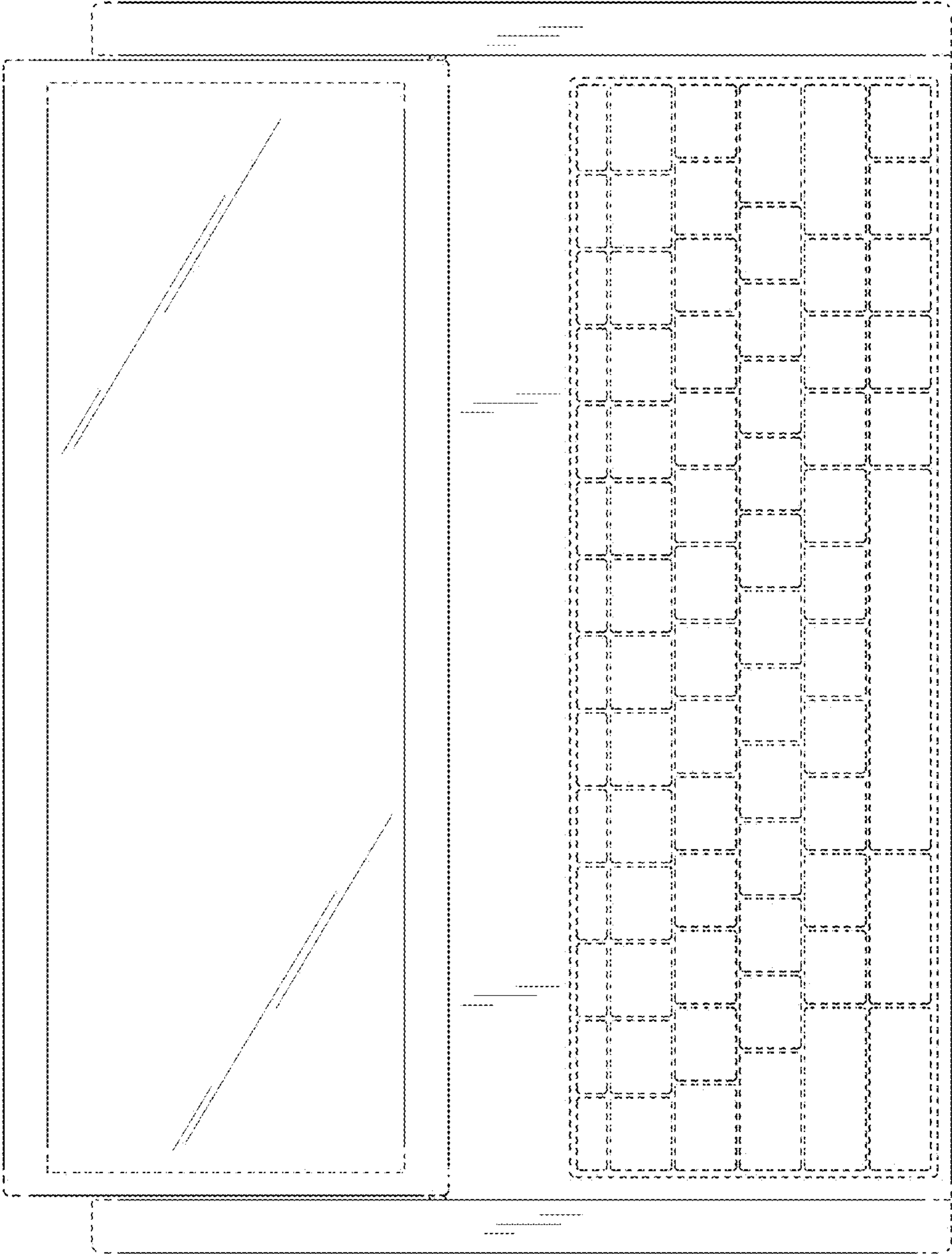
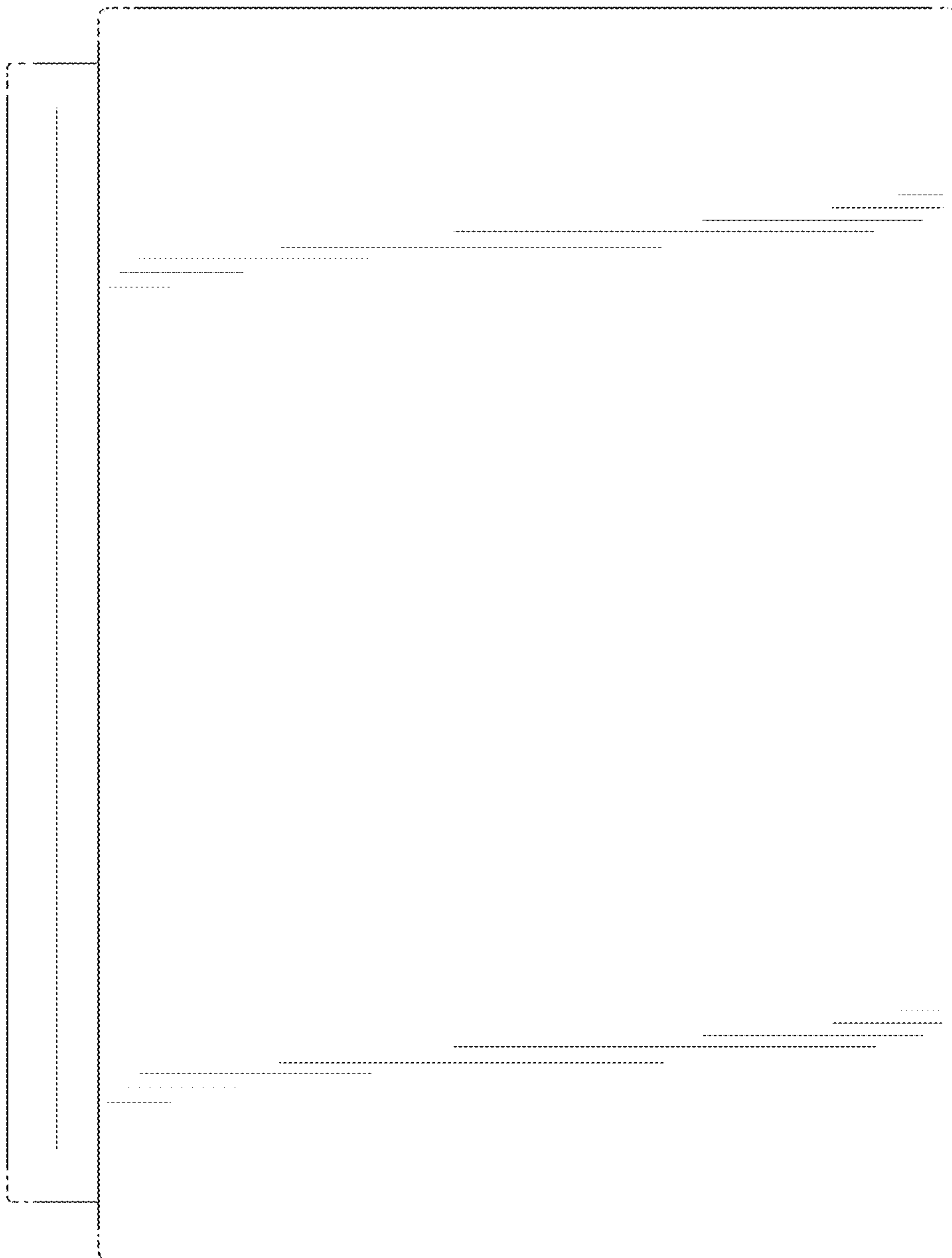


FIG.13

FIG.14



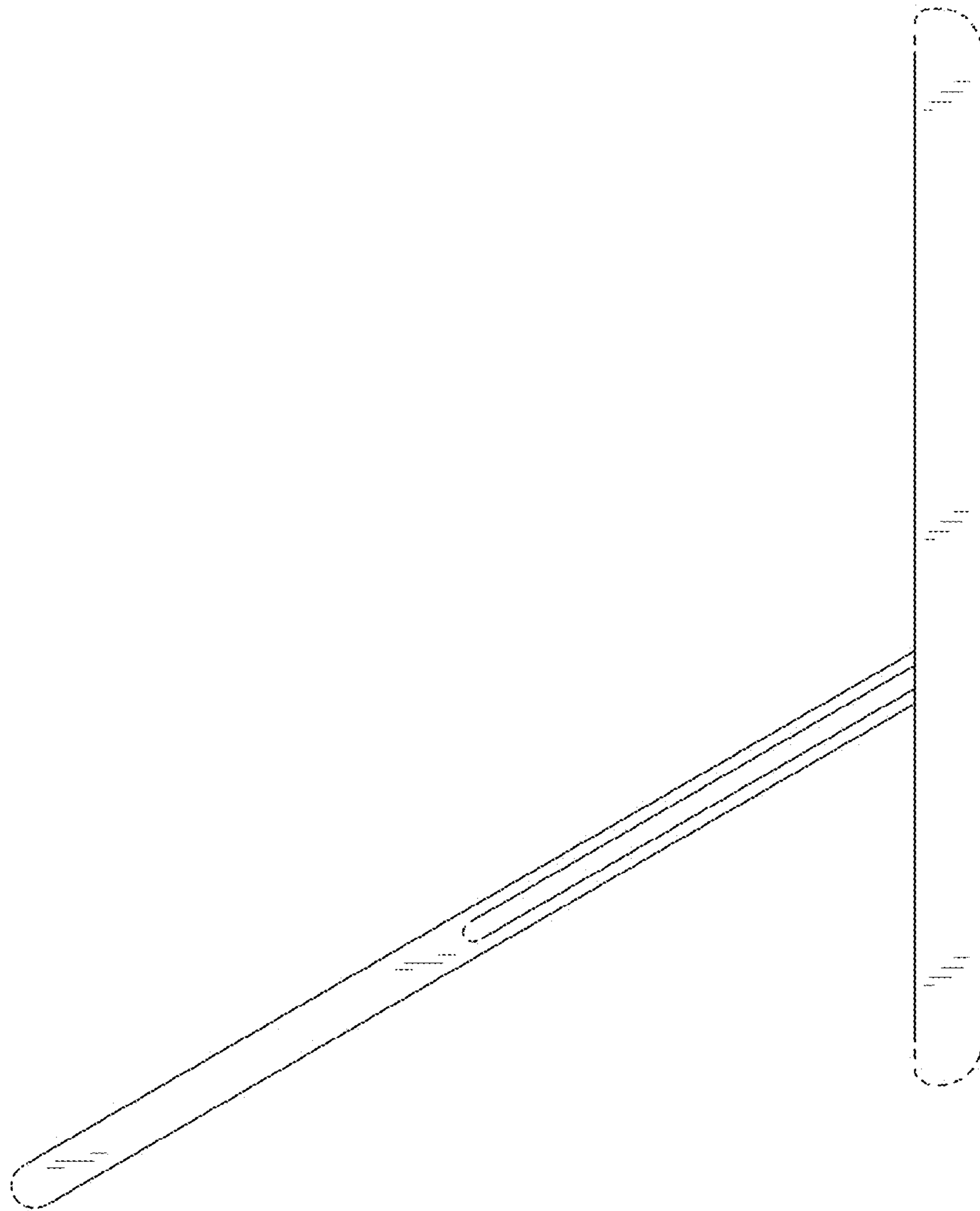


FIG. 15

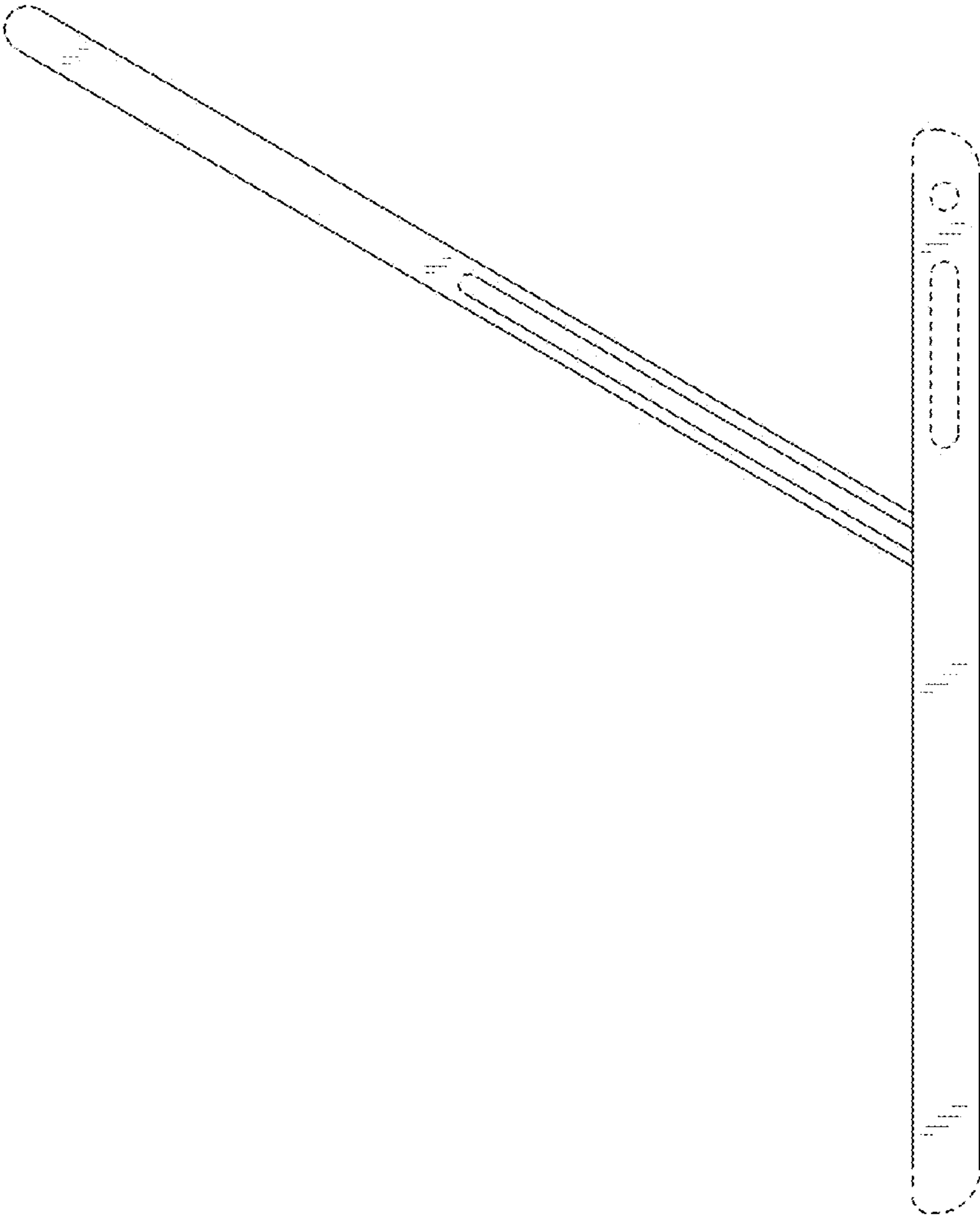


FIG. 16