



US00D700593S

(12) **United States Design Patent**  
**Xiang**

(10) **Patent No.:** **US D700,593 S**

(45) **Date of Patent:** **\*\* \*Mar. 4, 2014**

(54) **TV WALL MOUNT**

211/41.12, 42, 49.1, 50, 85.2, 90.04, 187,  
211/190, 119.003, 134.15, 3, 87.01, 71.01

(71) Applicant: **Lehong Xiang**, Ningbo (CN)

See application file for complete search history.

(72) Inventor: **Lehong Xiang**, Ningbo (CN)

(56) **References Cited**

(73) Assignee: **Loctek Visual Technology Corp.**,  
Zhejiang (CN)

U.S. PATENT DOCUMENTS

(\*) Notice: This patent is subject to a terminal disclaimer.

7,513,469	B1 *	4/2009	Ciungan	248/161
7,513,474	B2 *	4/2009	Anderson et al.	248/284.1
D595,299	S *	6/2009	Bures	D14/452
D606,522	S *	12/2009	Le	D14/239
D627,787	S *	11/2010	Grey et al.	D14/239
D634,310	S *	3/2011	Knaapen	D14/239
8,100,372	B2 *	1/2012	Vlies	248/220.1

(\*\*) Term: **14 Years**

\* cited by examiner

(21) Appl. No.: **29/432,465**

*Primary Examiner* — Randall Gholson

(22) Filed: **Oct. 17, 2012**

(74) *Attorney, Agent, or Firm* — Kilpatrick Townsend & Stockton LLP

(30) **Foreign Application Priority Data**

Jul. 3, 2012 (CN) ..... 2012 3 0293877

(51) **LOC (10) Cl.** ..... **14-03**

(52) **U.S. Cl.**  
USPC ..... **D14/239**

(57) **CLAIM**

The ornamental design for TV wall mount, as shown and described.

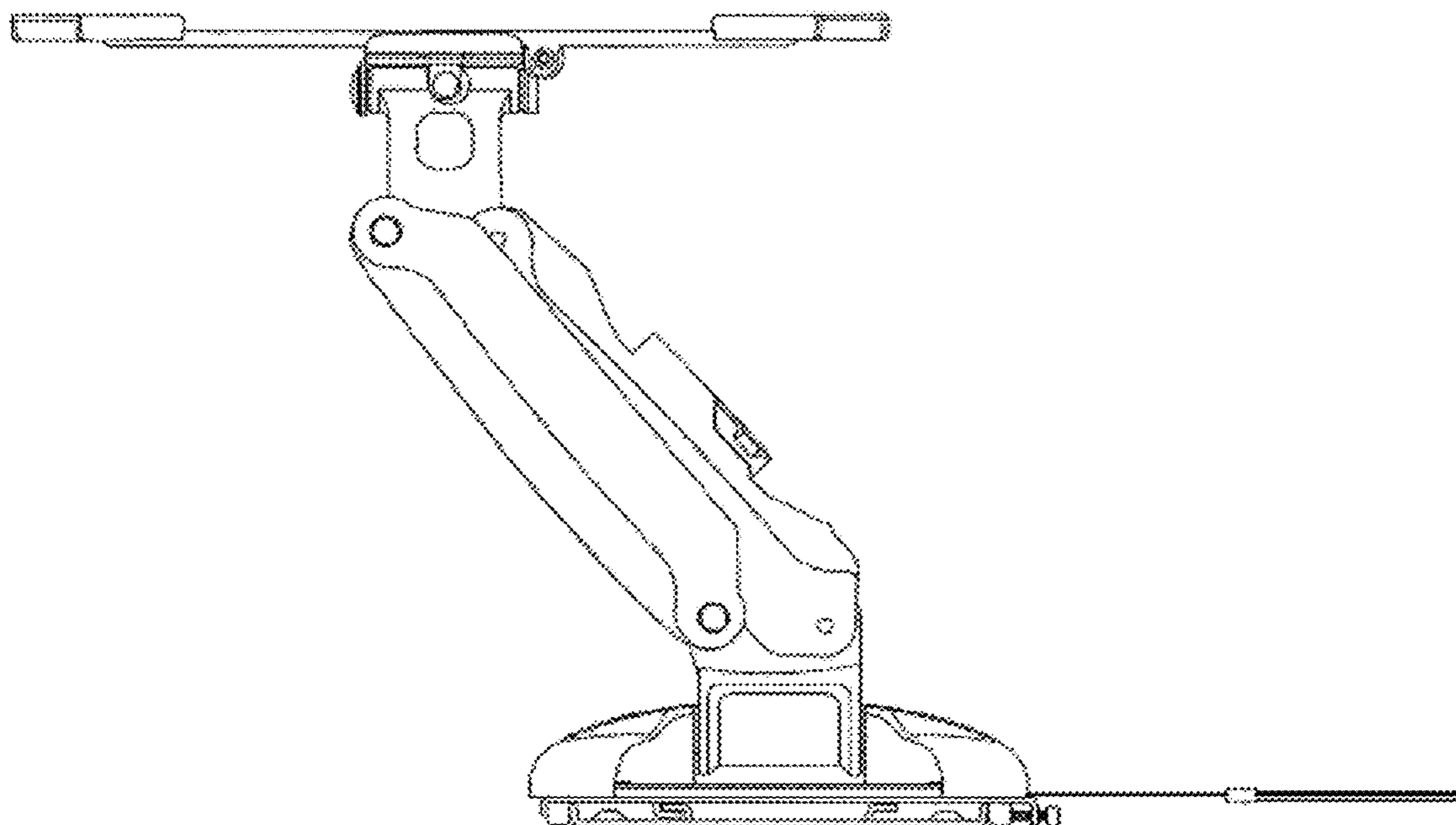
(58) **Field of Classification Search**

USPC ..... D14/239, 371, 136, 374-377; D8/363,  
D8/373, 349, 394; 248/465, 917-924,  
248/123.11, 284.1; 348/825, 827, 836, 837,  
348/838, 180, 184, 325, 739; 600/443;  
D6/477-479, 407, 474, 460, 461, 468;  
312/7.2; 341/12; 345/87, 104, 133,  
345/156, 168, 169, 173; 720/605, 669, 600,  
720/655; 369/99, 197; 455/344-347; 349/1,  
349/2, 11, 62; 108/59, 91, 92, 96; 211/40,

**DESCRIPTION**

FIG. 1 is a perspective view of a TV wall mount showing my new design;  
FIG. 2 is a front view thereof;  
FIG. 3 is a rear view thereof;  
FIG. 4 is a right side view thereof;  
FIG. 5 is a left side view thereof;  
FIG. 6 is a bottom view thereof; and,  
FIG. 7 is a top view thereof.

**1 Claim, 7 Drawing Sheets**



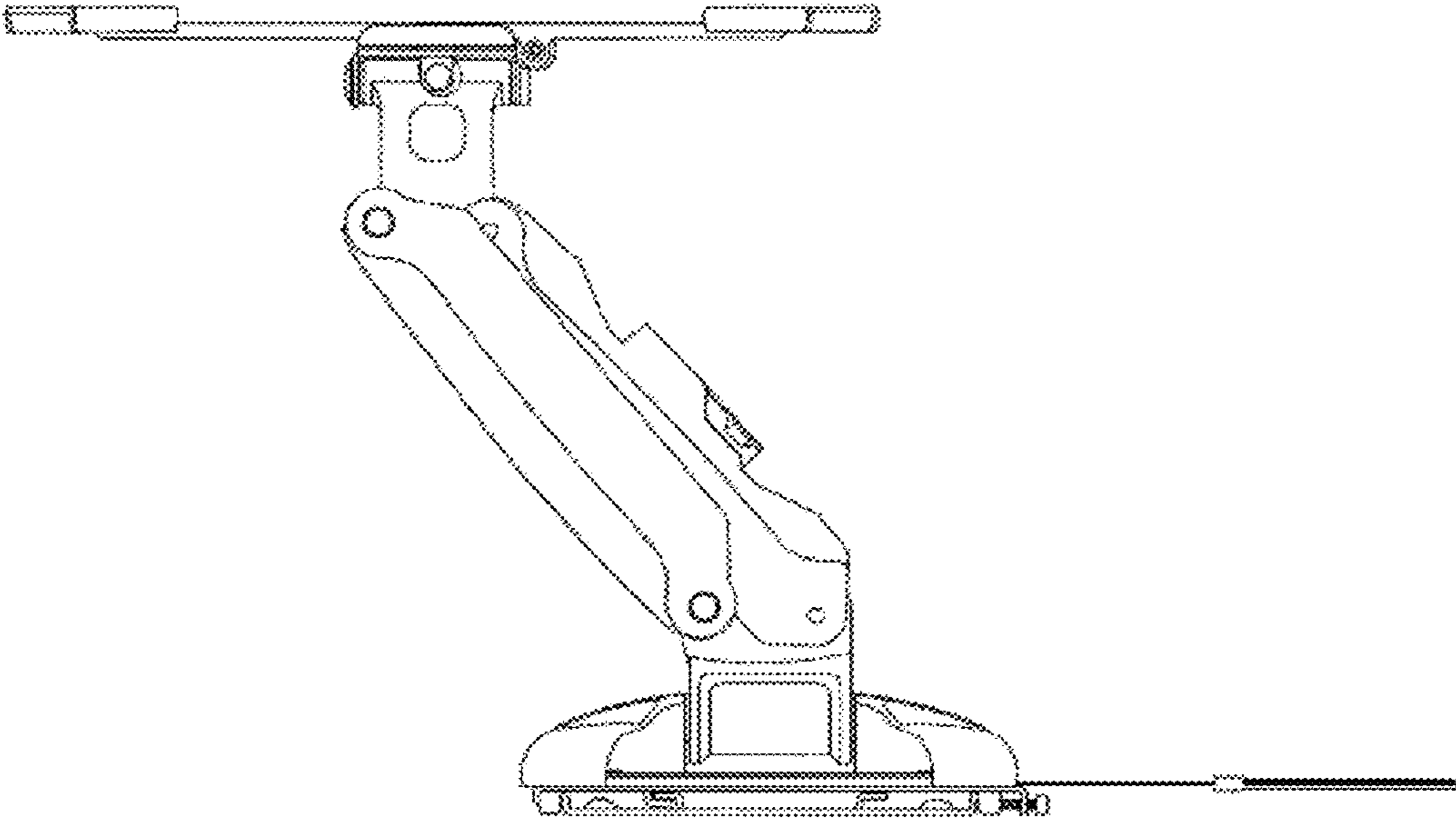


Fig. 1

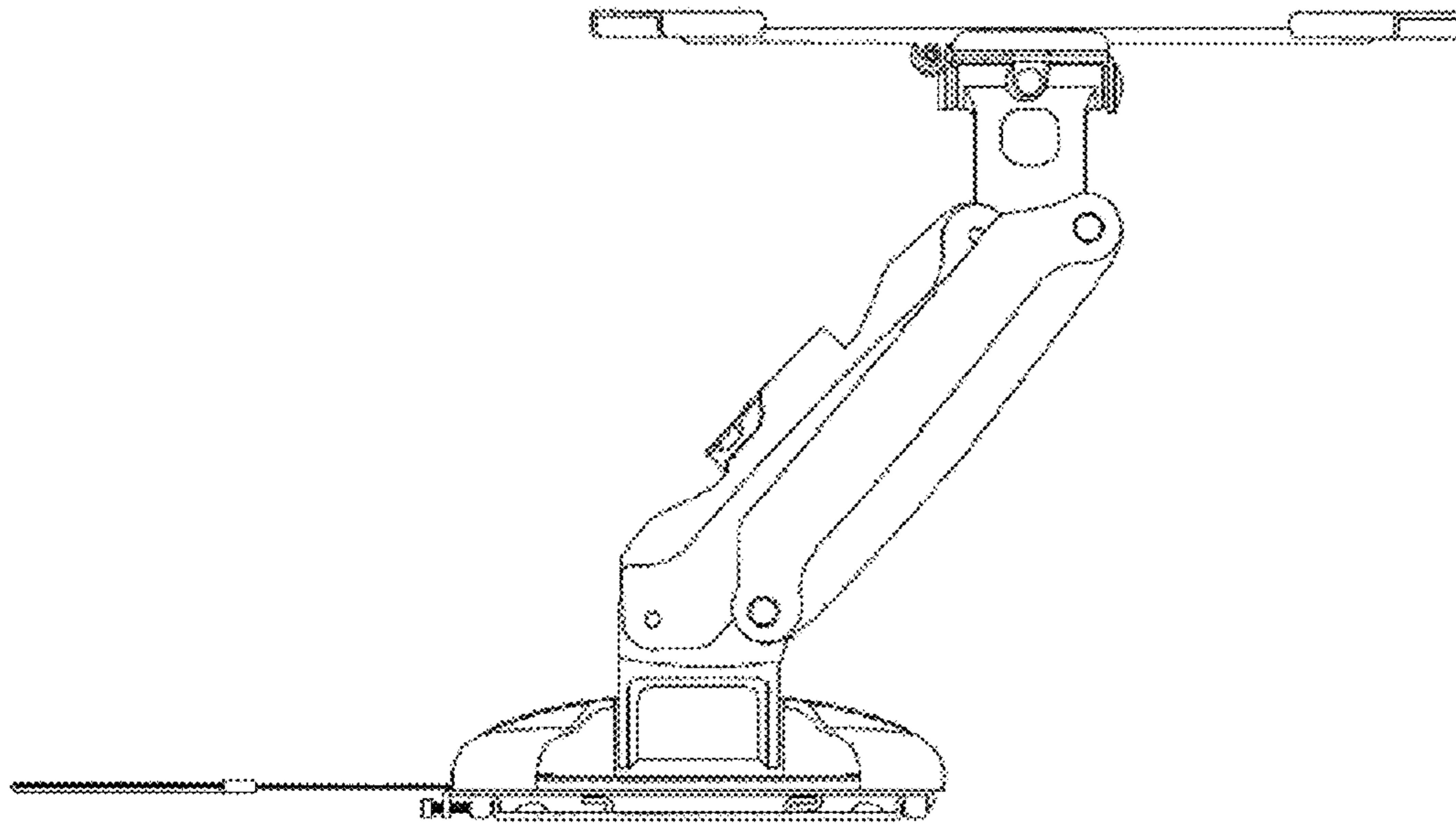


Fig. 2

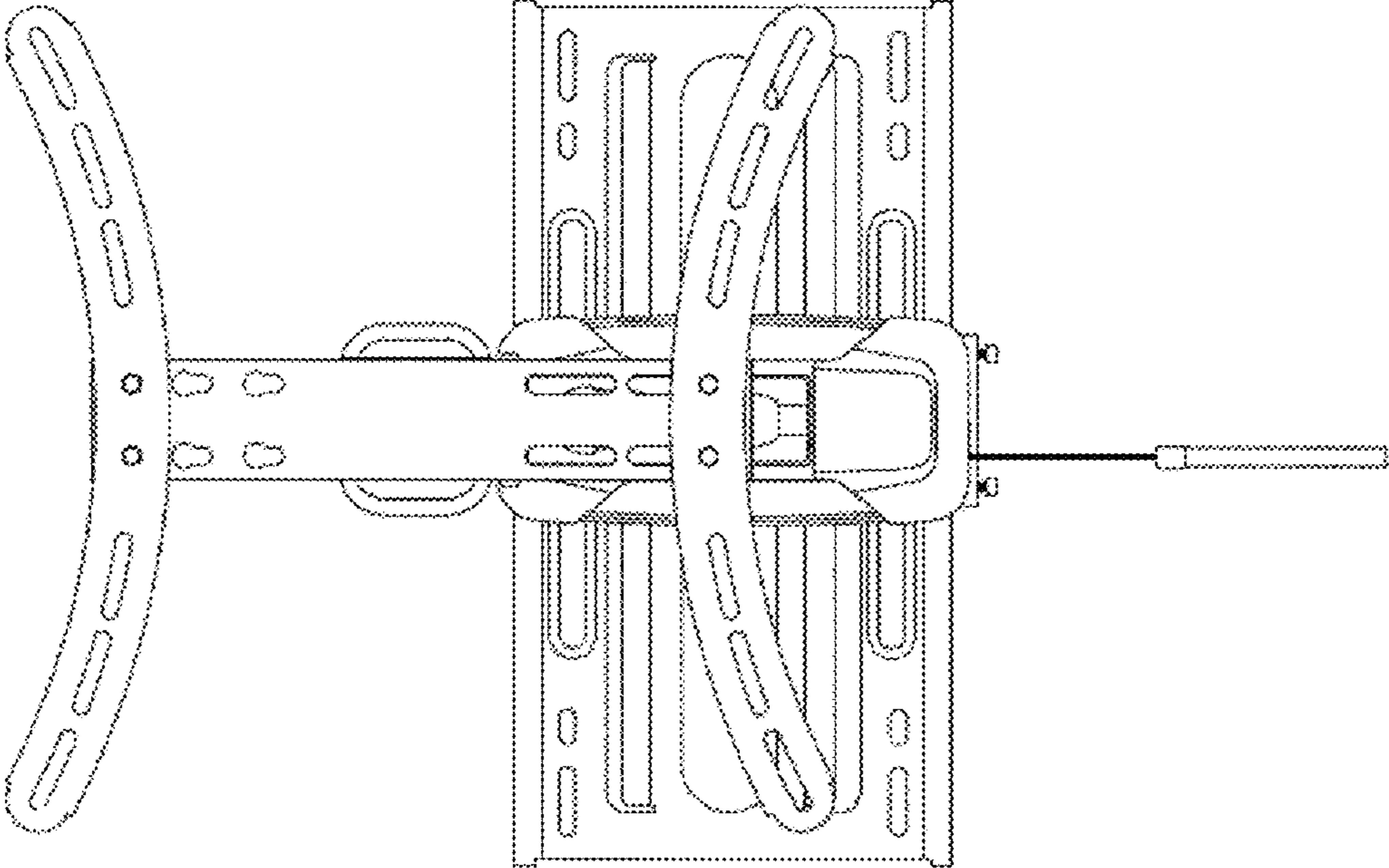


Fig. 3

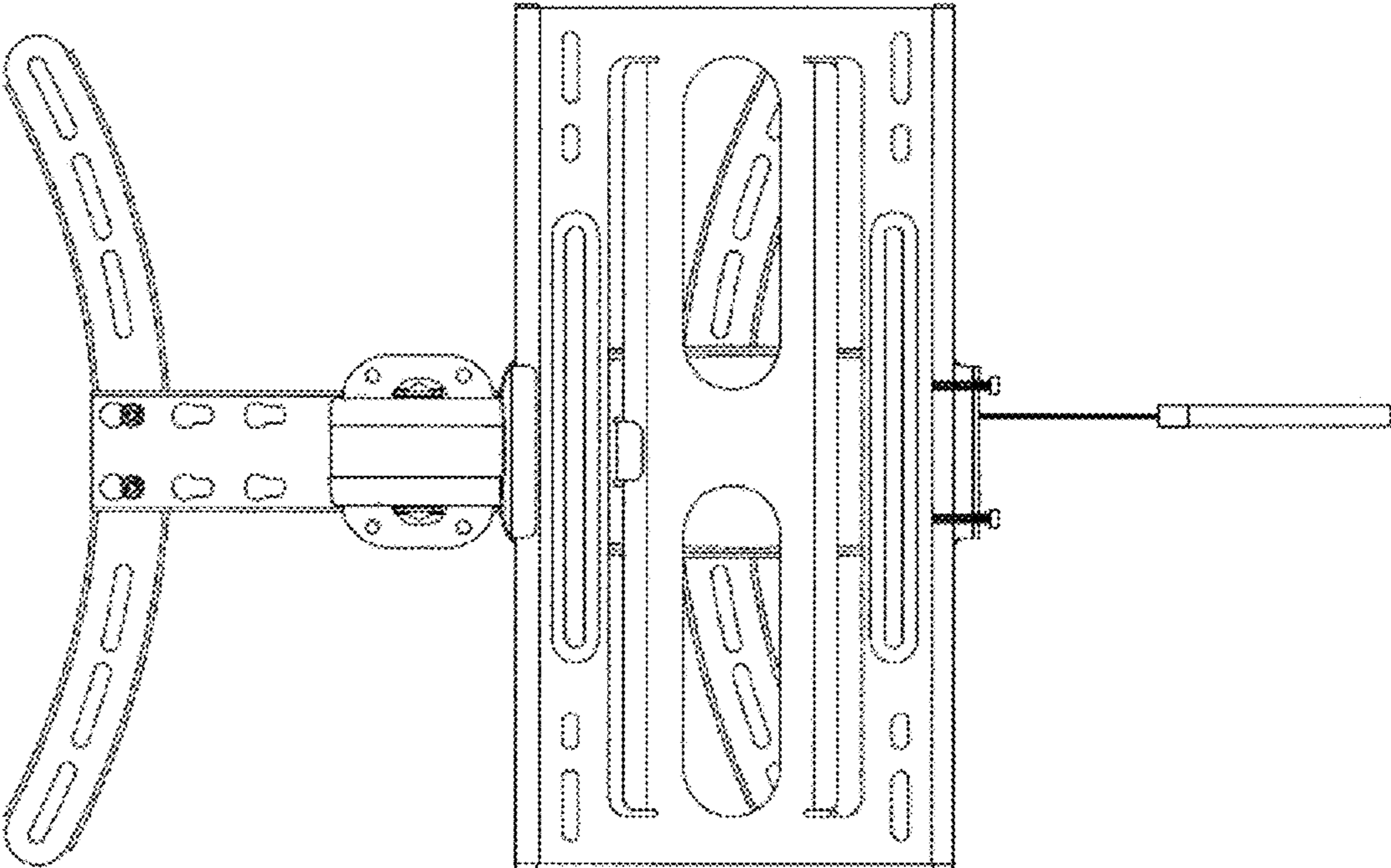


Fig. 4

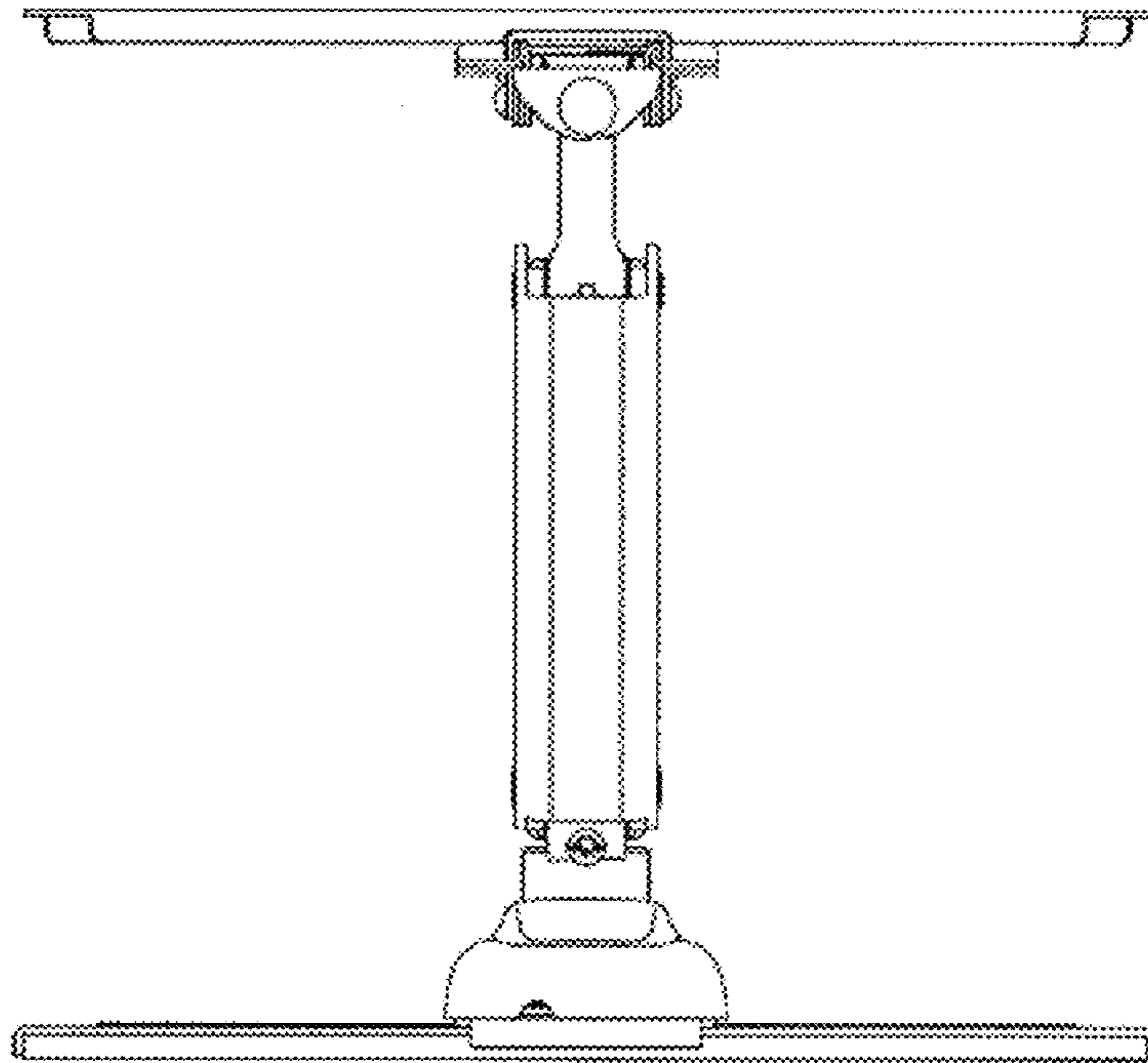


Fig. 5

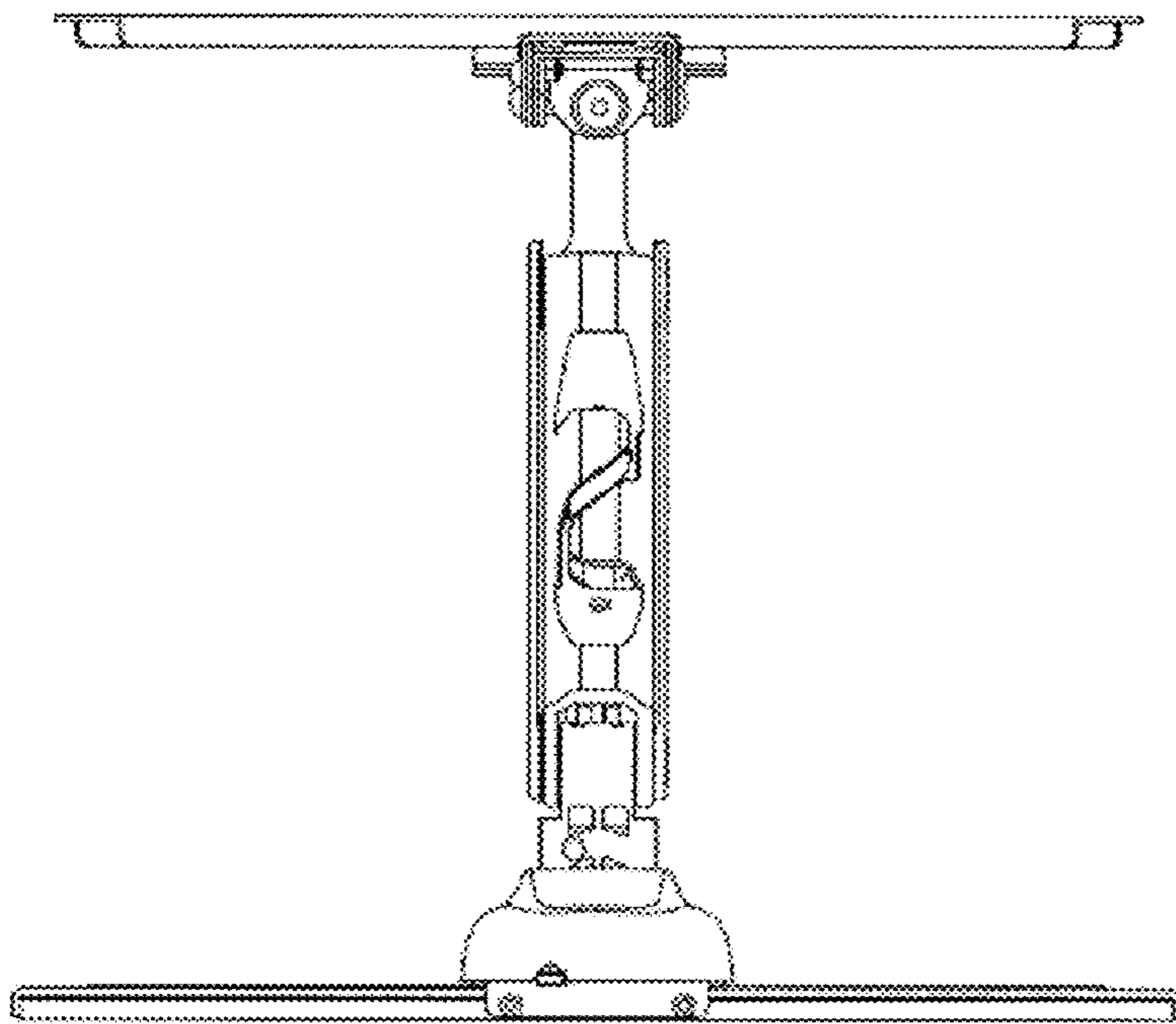


Fig. 6

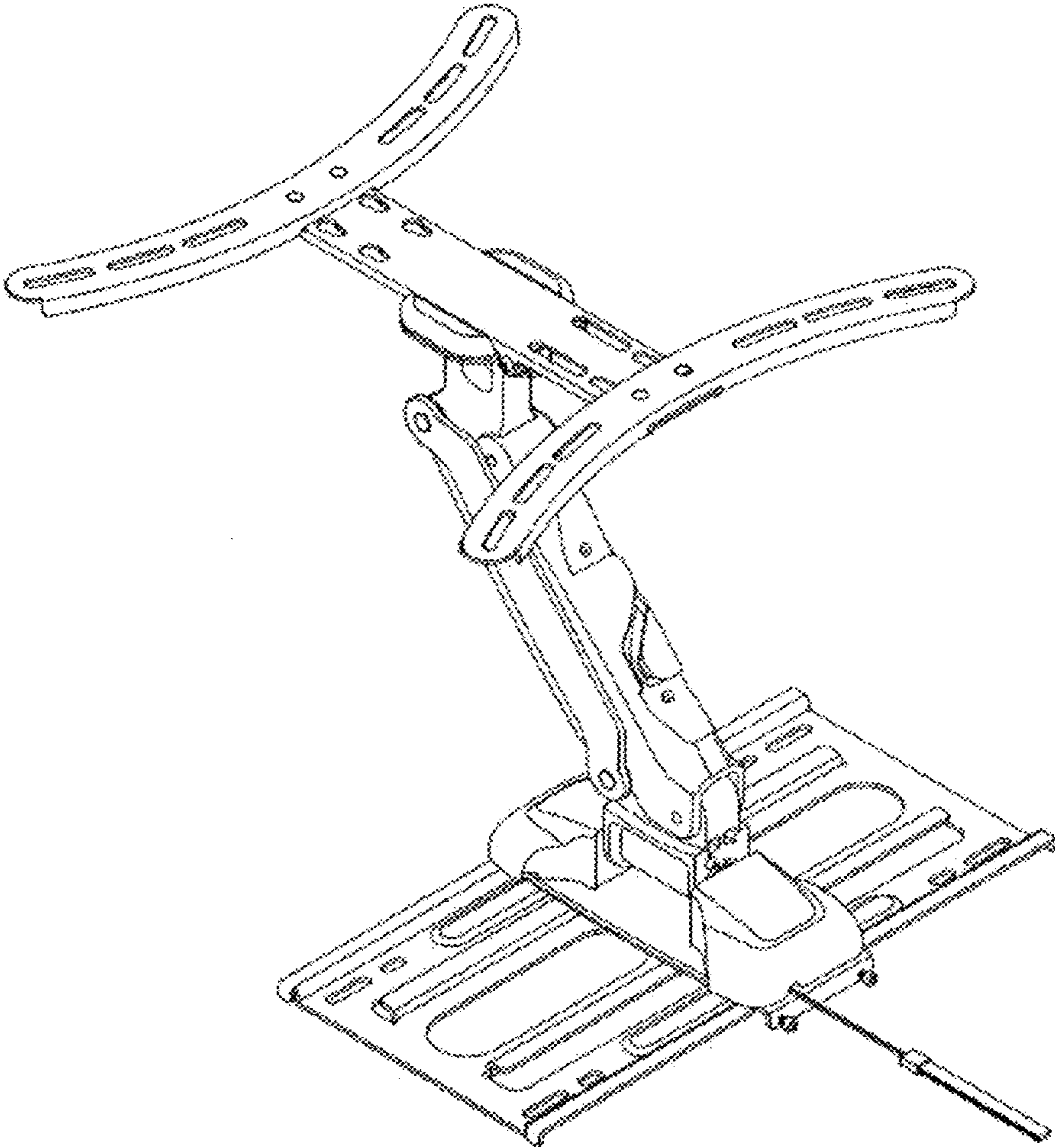


Fig. 7