



US00D700591S

(12) **United States Design Patent**
Xiao et al.

(10) **Patent No.:** **US D700,591 S**

(45) **Date of Patent:** **** Mar. 4, 2014**

(54) **LOUDSPEAKER BOX**

(71) Applicant: **Shenzhen Fenda Technology Co., Ltd.**,
Shenzhen (CN)

(72) Inventors: **Fen Xiao**, Shenzhen (CN); **Zhenglong Gu**, Shenzhen (CN)

(73) Assignee: **Shenzhen Fenda Technology Co., Ltd.**,
Shenzhen (CN)

(**) Term: **14 Years**

(21) Appl. No.: **29/450,490**

(22) Filed: **Mar. 18, 2013**

(30) **Foreign Application Priority Data**

Sep. 24, 2012 (CN) 2012 3 0458914

(51) **LOC (10) Cl.** **14-03**

(52) **U.S. Cl.**
USPC **D14/216**

(58) **Field of Classification Search**
USPC D14/172, 194, 196, 204, 207, 209.1,
D14/210–217, 219–222, 224; 181/143, 144,
181/147, 148, 150, 153, 157, 198, 199;
381/300–303, 306, 332, 333, 336, 345,
381/361–364, 386–388
See application file for complete search history.

(56) **References Cited**

U.S. PATENT DOCUMENTS

D218,614 S * 9/1970 Yurdin D14/212
D218,648 S * 9/1970 Boldt et al. D14/197

D231,401 S * 4/1974 Fujita D14/198
D329,648 S * 9/1992 Goldfarb et al. D14/216
D348,467 S * 7/1994 Boothroyd et al. D14/213
D355,914 S * 2/1995 Jewitt et al. D14/210
D376,364 S * 12/1996 Boothroyd et al. D14/216
D484,492 S * 12/2003 Welker et al. D14/216
D491,921 S * 6/2004 Takeuchi et al. D14/216
D557,681 S * 12/2007 Silva D14/189
D591,727 S * 5/2009 Lui D14/216
D667,389 S * 9/2012 Yokoyama D14/209.1

* cited by examiner

Primary Examiner — Keli L Hill

(74) *Attorney, Agent, or Firm* — Muncy, Geissler, Olds & Lowe, P.C.

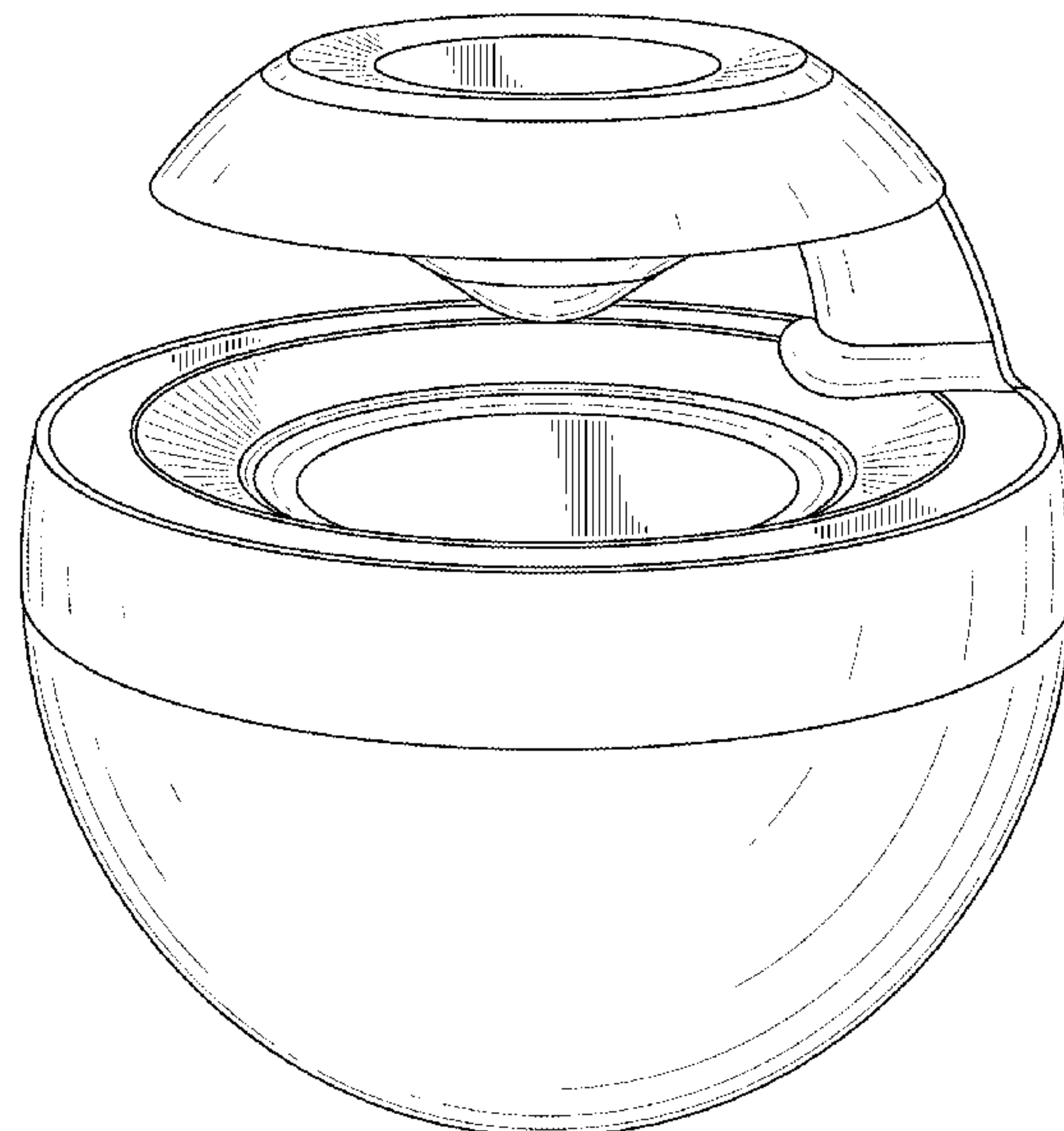
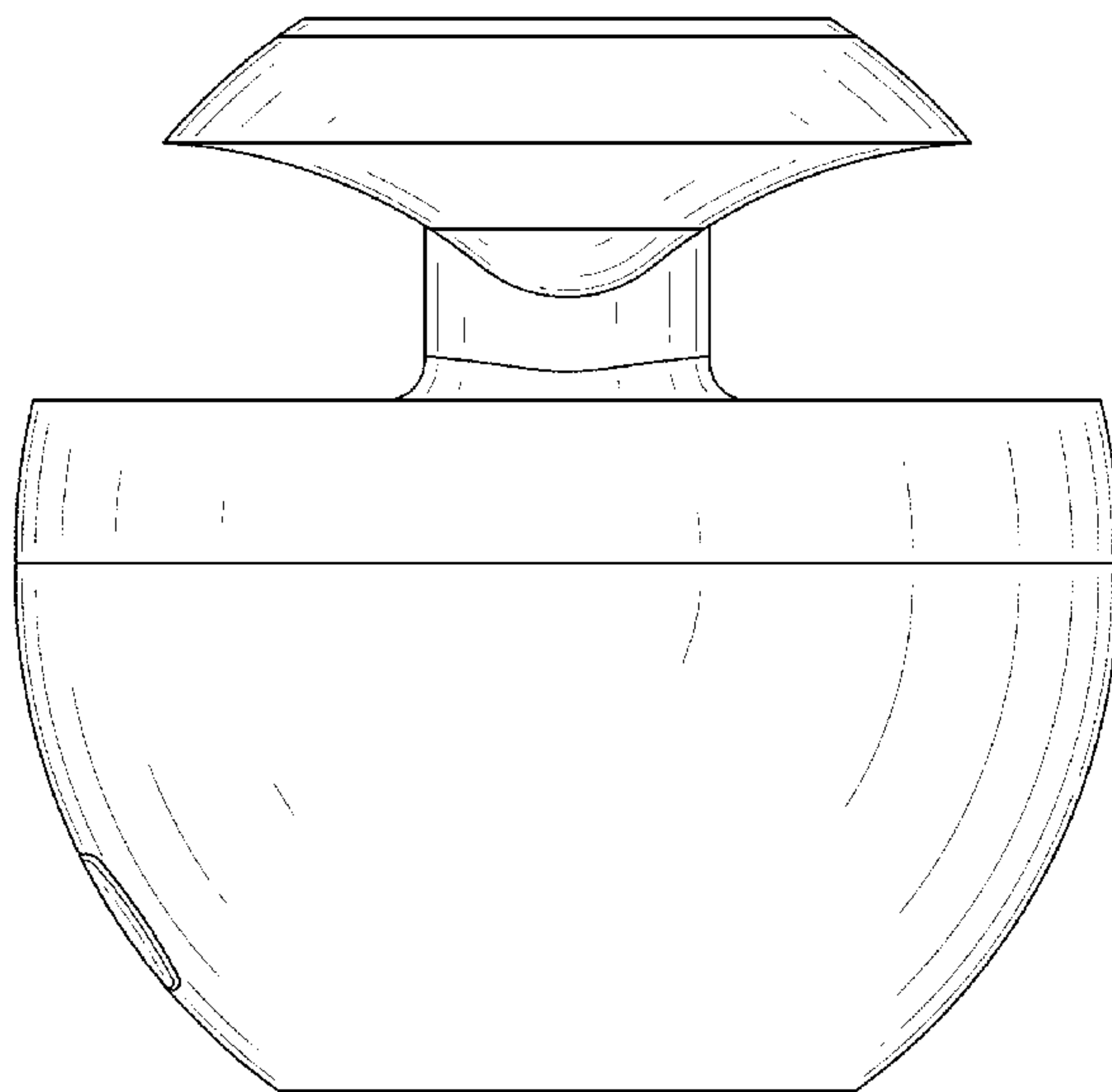
(57) **CLAIM**

The ornamental design for a loudspeaker box, as shown and described.

DESCRIPTION

FIG. 1 is a front, elevation view of a loudspeaker box showing our new design;
FIG. 2 is a right side, elevation view of the loudspeaker box;
FIG. 3 is a left side, elevation view of the loudspeaker box;
FIG. 4 is a top, plan view of the loudspeaker box;
FIG. 5 is a bottom, plan view of the loudspeaker box; and
FIG. 6 is a front, right perspective view of the loudspeaker box; and,
FIG. 7 is a rear, elevation view of the loudspeaker box.
The broken line showing is for the purpose of illustrating unclaimed portions of the loudspeaker box which form no part of the claimed design.

1 Claim, 7 Drawing Sheets



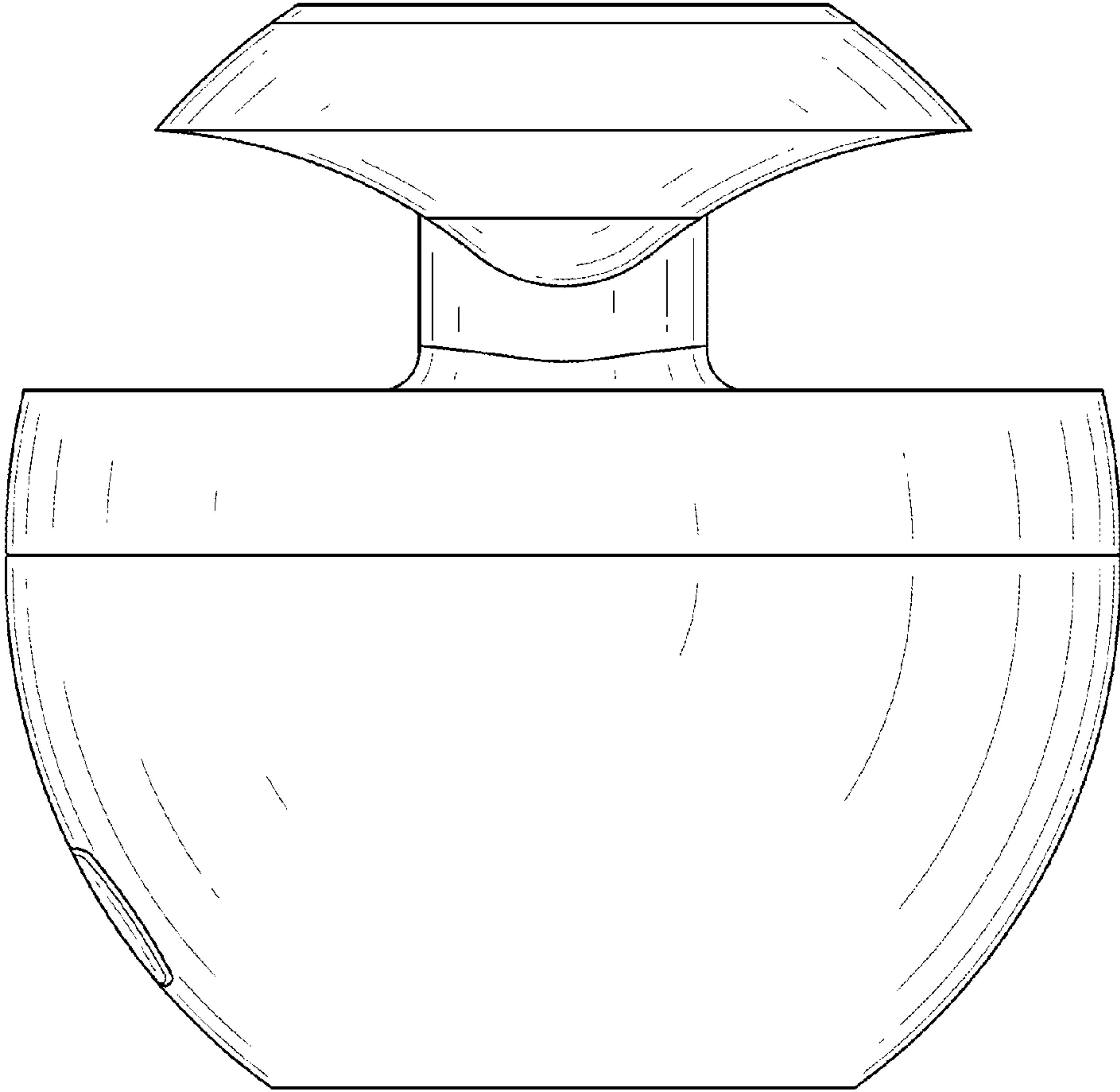


FIG.1

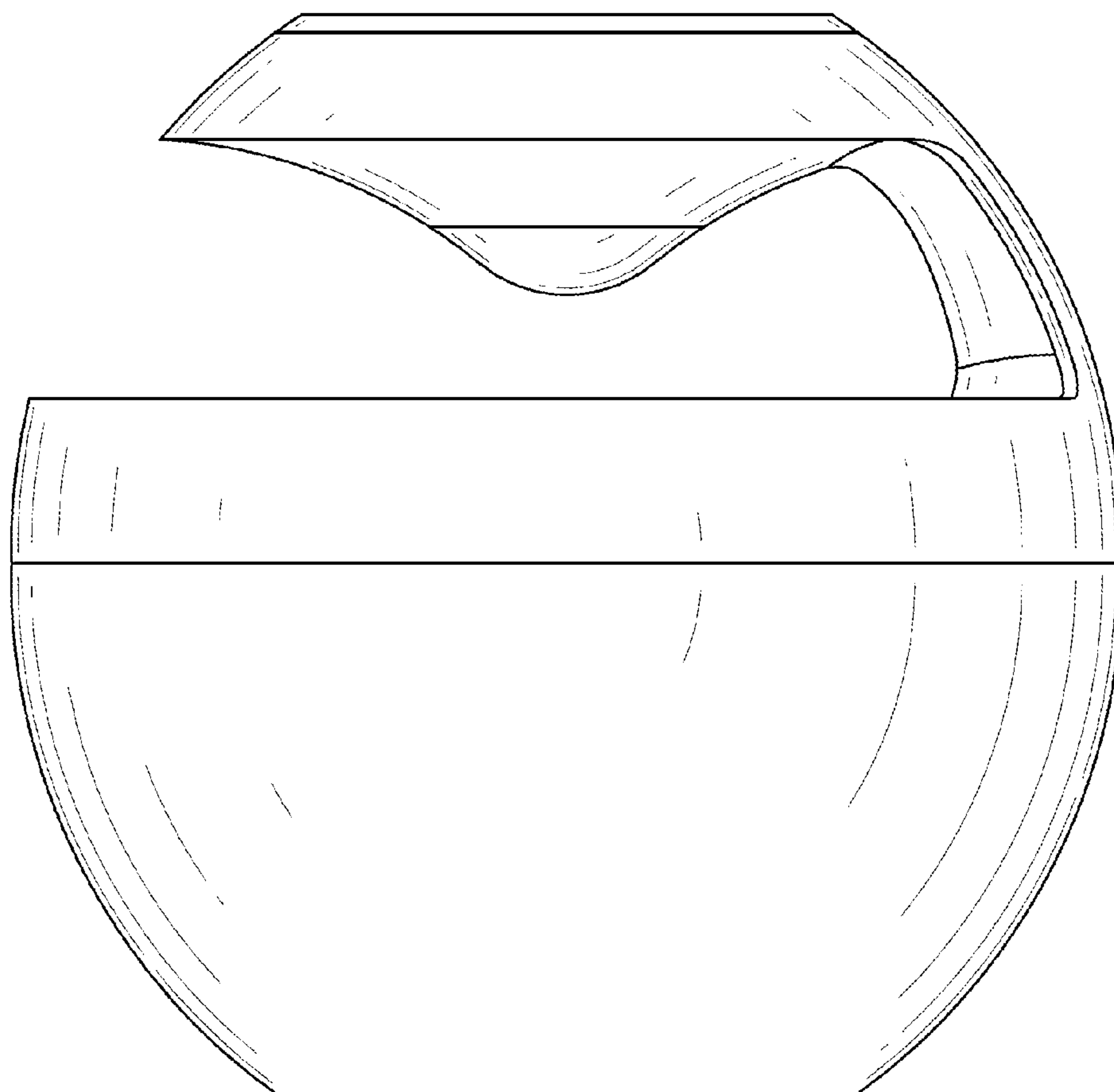


FIG. 2

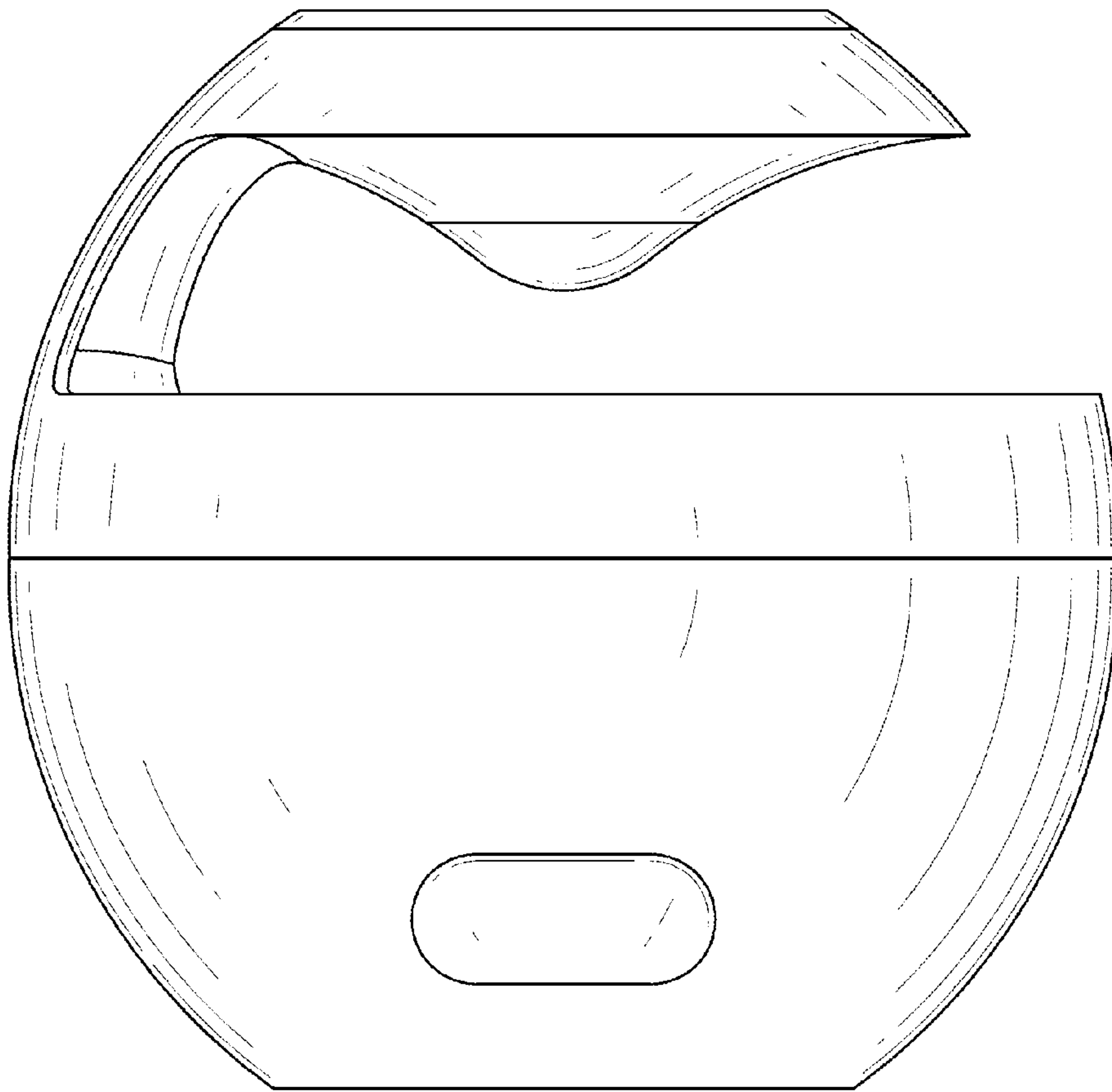


FIG.3

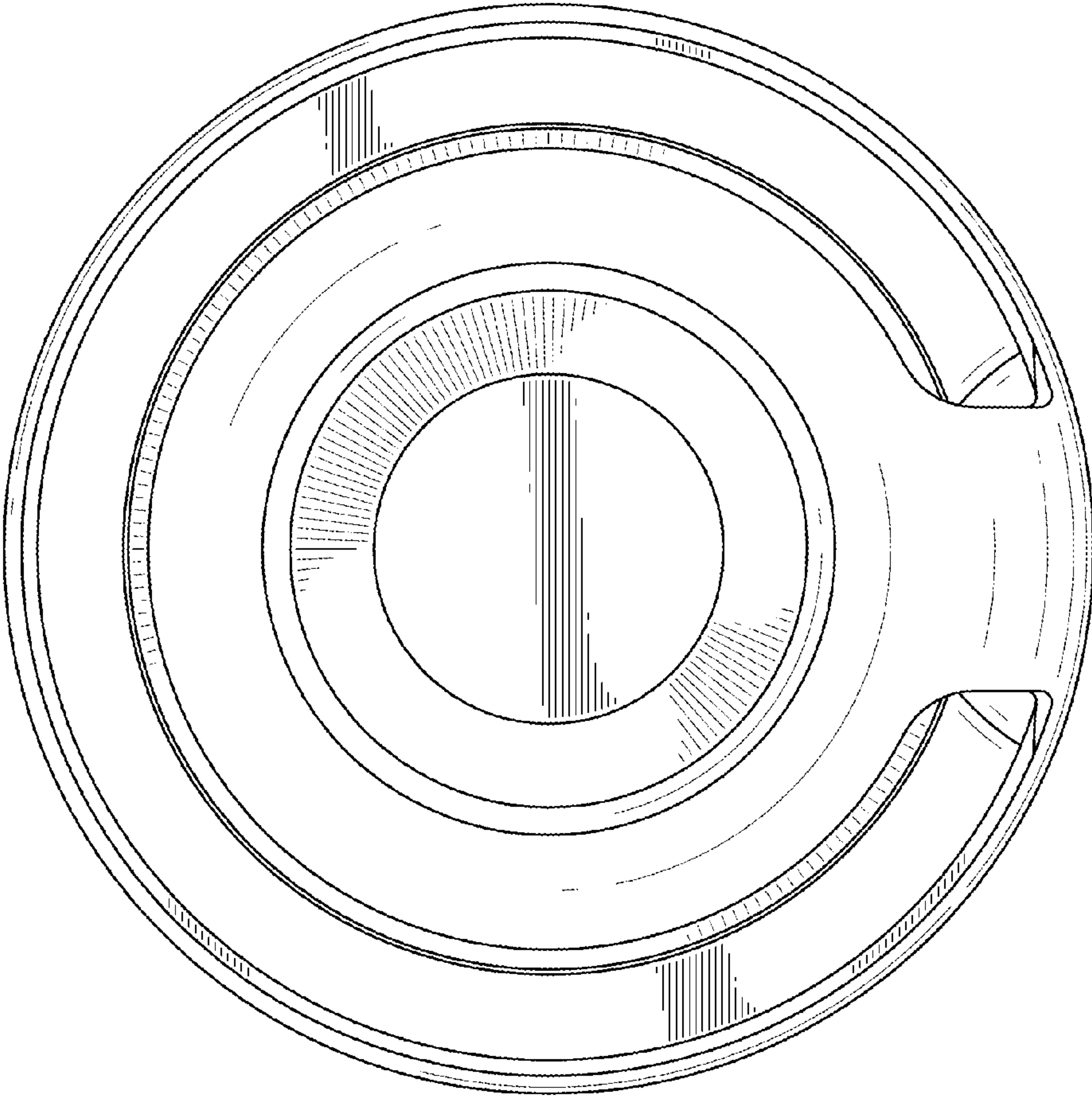


FIG.4

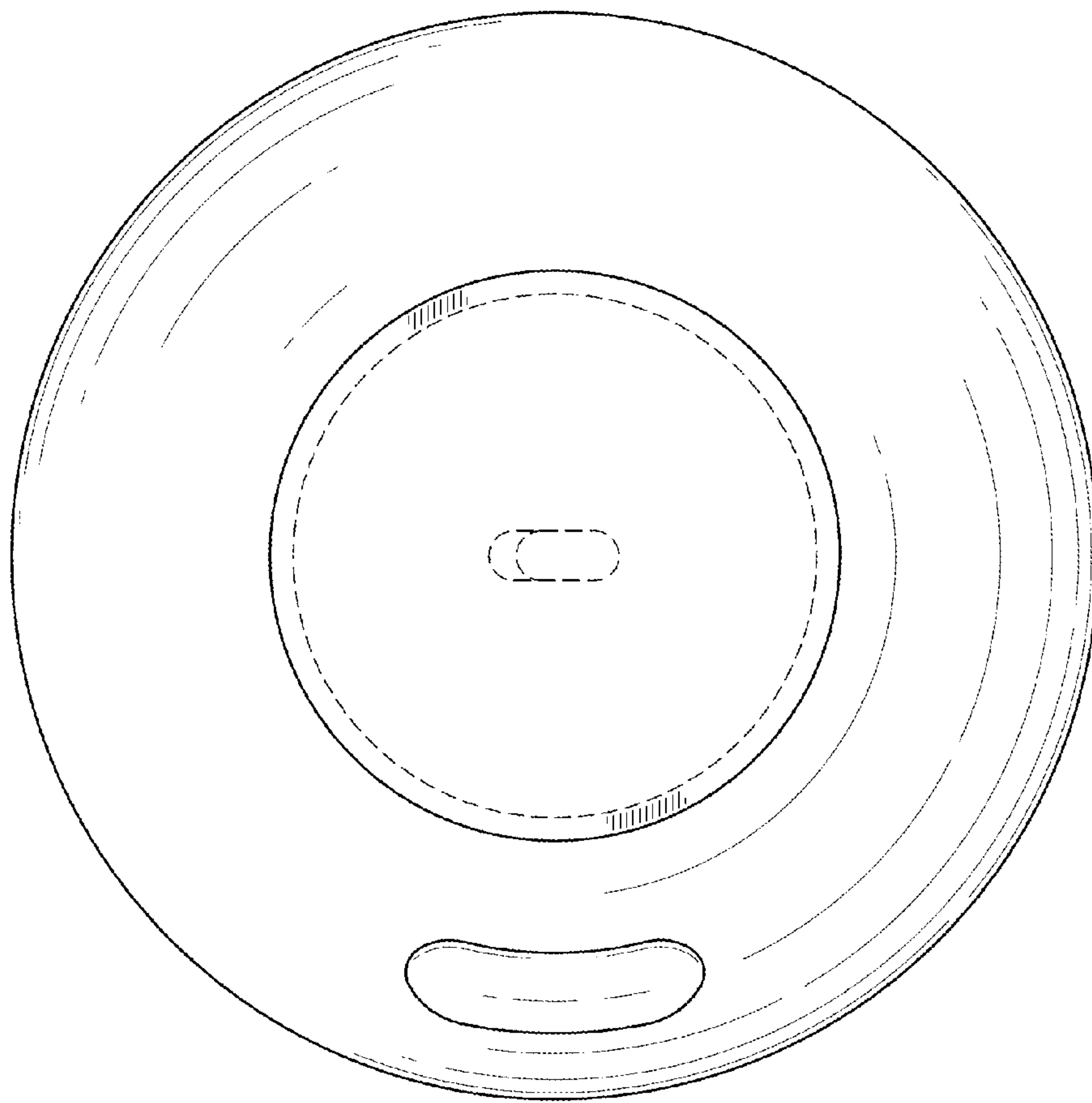


FIG.5

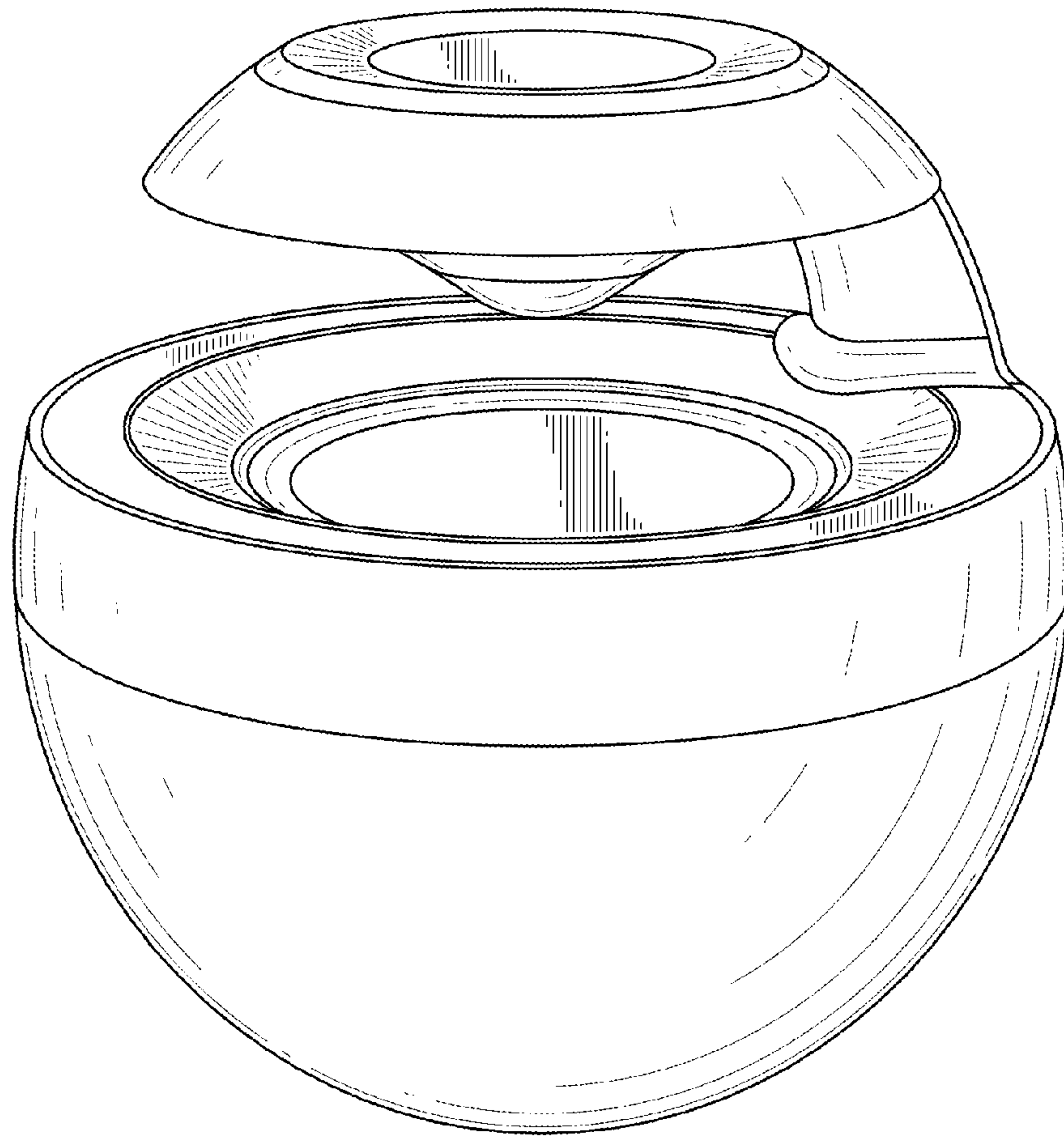


FIG.6

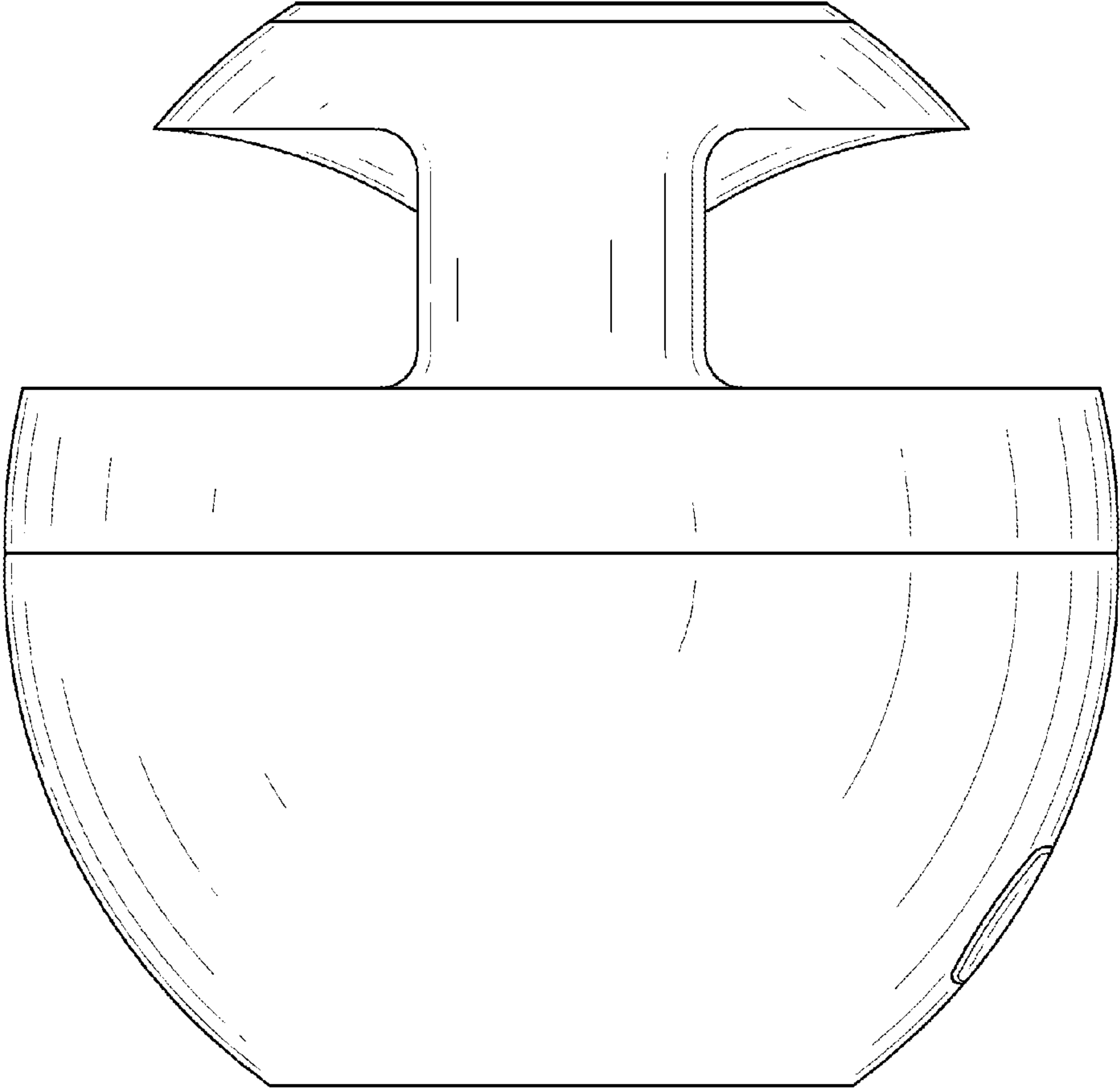


FIG. 7