



US00D700590S

(12) **United States Design Patent**
Heath

(10) **Patent No.:** **US D700,590 S**
(45) **Date of Patent:** **** Mar. 4, 2014**

(54) **HEADPHONES**

(71) Applicant: **Reid Heath Ltd**, Glasgow (GB)

(72) Inventor: **Thomas Lewis Heath**, Glasgow (GB)

(73) Assignee: **Reid Heath Ltd**, Glasgow (GB)

(**) Term: **14 Years**

(21) Appl. No.: **29/445,128**

(22) Filed: **Feb. 7, 2013**

(30) **Foreign Application Priority Data**

Aug. 8, 2012 (GB) 4025931

(51) **LOC (10) Cl.** **14-01**

(52) **U.S. Cl.**
USPC **D14/205**

(58) **Field of Classification Search**
USPC D14/205, 223, 192, 188; 181/129, 130,
181/135; 379/430, 431; 381/380, 381;
455/90.3, 575.1; D29/112; 2/209
See application file for complete search history.

(56) **References Cited**

U.S. PATENT DOCUMENTS

1,606,165	A *	11/1926	Glenn	381/384
2,149,341	A *	3/1939	Harrison	381/379
2,782,423	A *	2/1957	Simon et al.	2/209
3,051,961	A *	9/1962	Clark	2/209
D204,886	S *	5/1966	Kliwer	D14/205
3,810,525	A *	5/1974	Crenna	181/129
D244,213	S	5/1977	Besasie		
D270,634	S *	9/1983	Ungar	D14/205
D286,772	S *	11/1986	Pope	D14/205
D291,198	S	8/1987	Bellini		
D291,690	S *	9/1987	Tabachnik	D14/205
D299,454	S *	1/1989	Kwong	D14/205
D300,637	S *	4/1989	Kagayama et al.	D15/199
4,829,571	A *	5/1989	Kakiuchi et al.	381/309

D305,541	S *	1/1990	Hirose	D14/205
D313,092	S *	12/1990	Nilsson	D29/112
D337,115	S	7/1993	Yamazaki et al.		
5,406,037	A *	4/1995	Nageno et al.	181/129
D358,390	S	5/1995	Hayashi		
D379,817	S	6/1997	Lin		
D381,987	S	8/1997	Tsuge		
D422,592	S	4/2000	Deguchi		
D431,550	S *	10/2000	Yoneda	D14/205
D463,791	S	10/2002	Nagai et al.		
D501,844	S	2/2005	Hirano		
D514,087	S *	1/2006	Wilson et al.	D14/206
D518,474	S *	4/2006	Suzuki	D14/205
D541,257	S	4/2007	Thursfield		
D556,187	S	11/2007	Feng		
D560,654	S *	1/2008	Feng	D14/205
D581,394	S	11/2008	Lee		
D584,715	S	1/2009	Brennwald		
D588,100	S	3/2009	Densho et al.		
D625,703	S	10/2010	Kolton		
7,869,615	B2 *	1/2011	Chang	381/371
D632,667	S	2/2011	Martin		
D638,397	S	5/2011	McManigal		
D645,445	S	9/2011	Kolton		

(Continued)

Primary Examiner — Paula Greene

(74) *Attorney, Agent, or Firm* — Steven M. War, Esq.

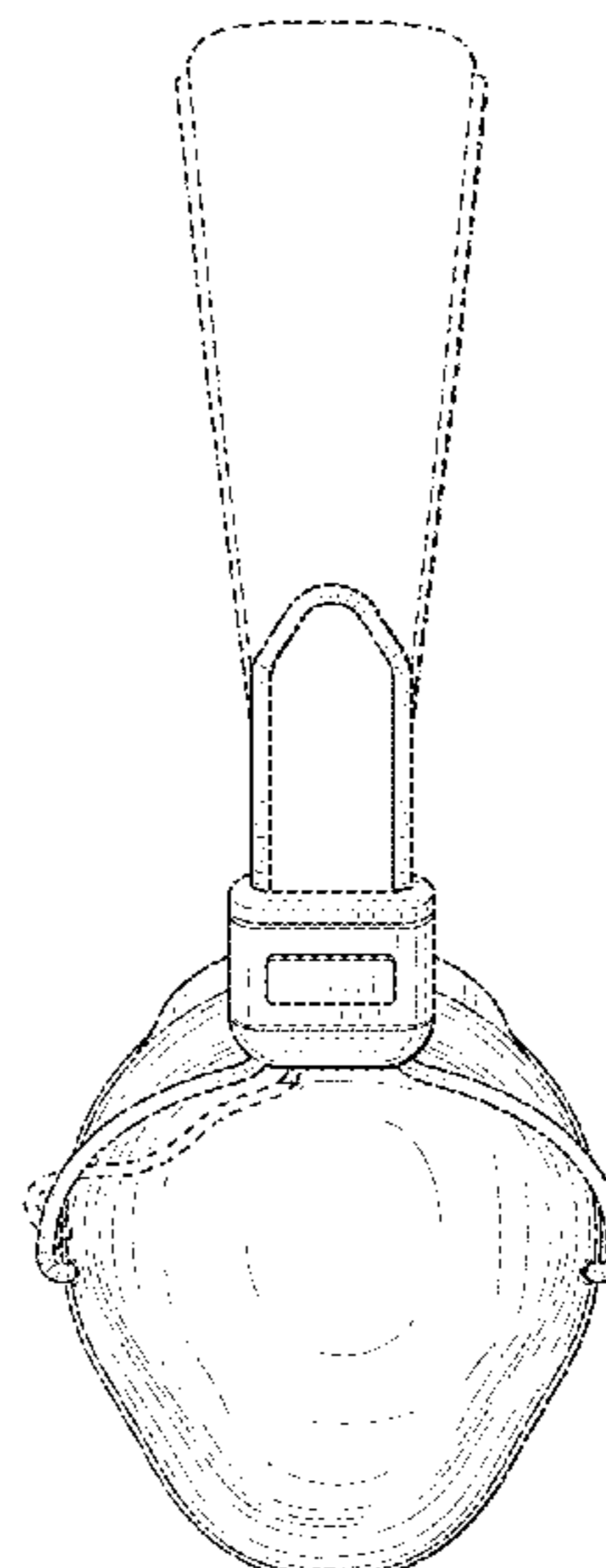
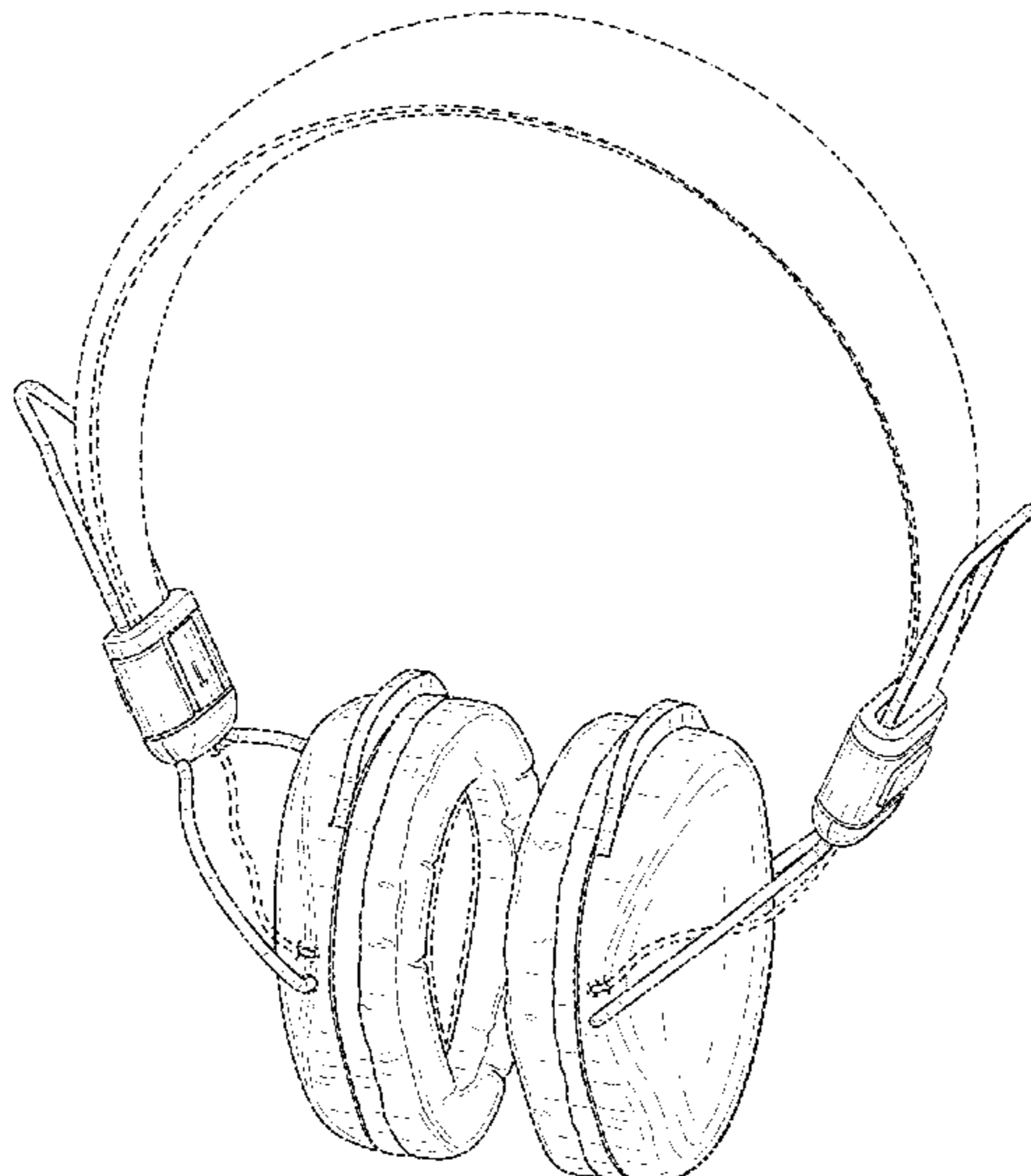
(57) **CLAIM**

The ornamental design for headphones, as shown and described.

DESCRIPTION

FIG. 1 is a perspective view of the headphones;
FIG. 2 is a rear view thereof;
FIG. 3 is a front view thereof;
FIG. 4 is a left side view thereof;
FIG. 5 is a right side view thereof;
FIG. 6 is a top view thereof; and,
FIG. 7 is a bottom view thereof.
The broken lines form no part of the claimed design.

1 Claim, 6 Drawing Sheets



(56)

References Cited

U.S. PATENT DOCUMENTS

D650,356 S * 12/2011 Alden et al. D14/205
D656,125 S 3/2012 Komiyama et al.

D663,286 S 7/2012 Morisawa
D677,241 S * 3/2013 Kelly et al. D14/205

* cited by examiner



FIG. 1

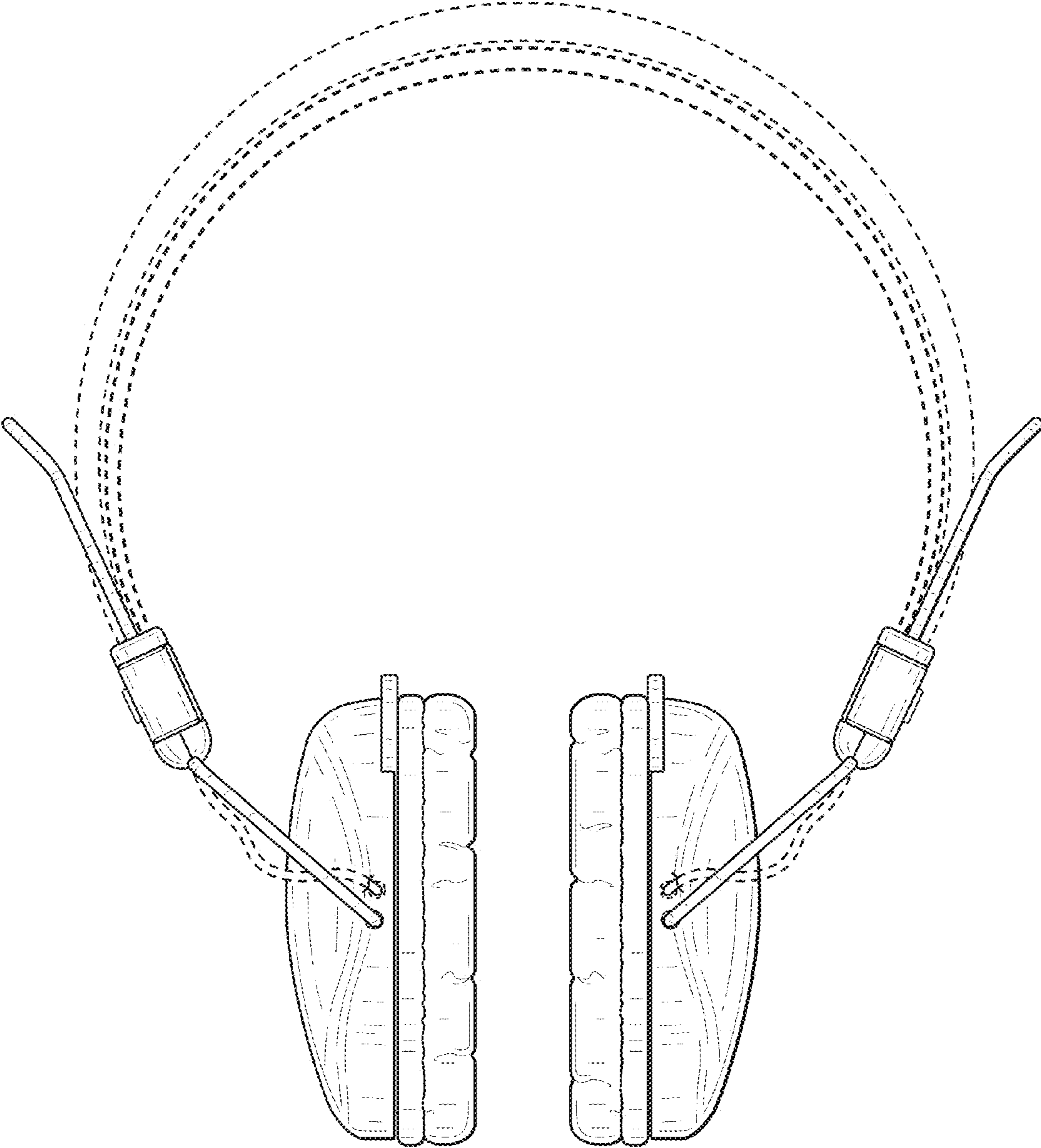


FIG. 2

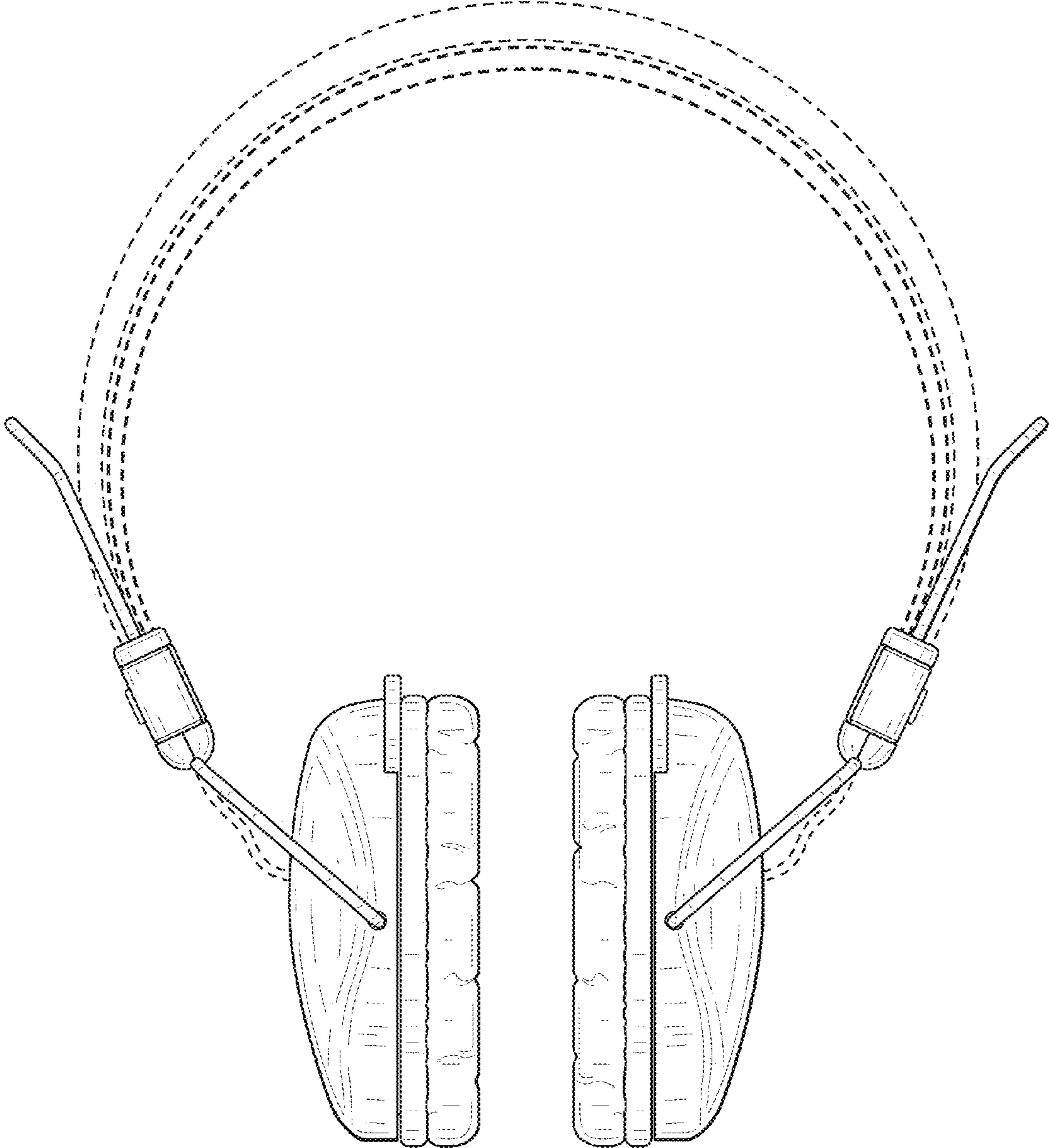


FIG. 3

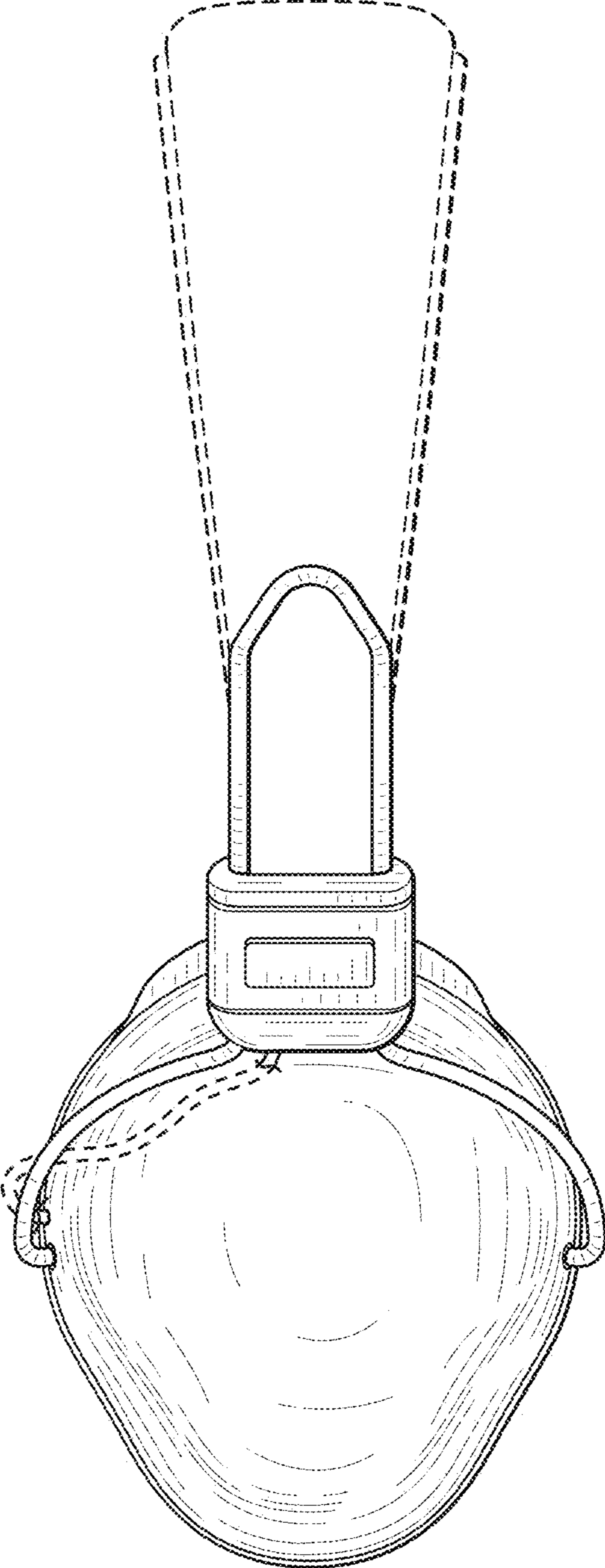


FIG. 4

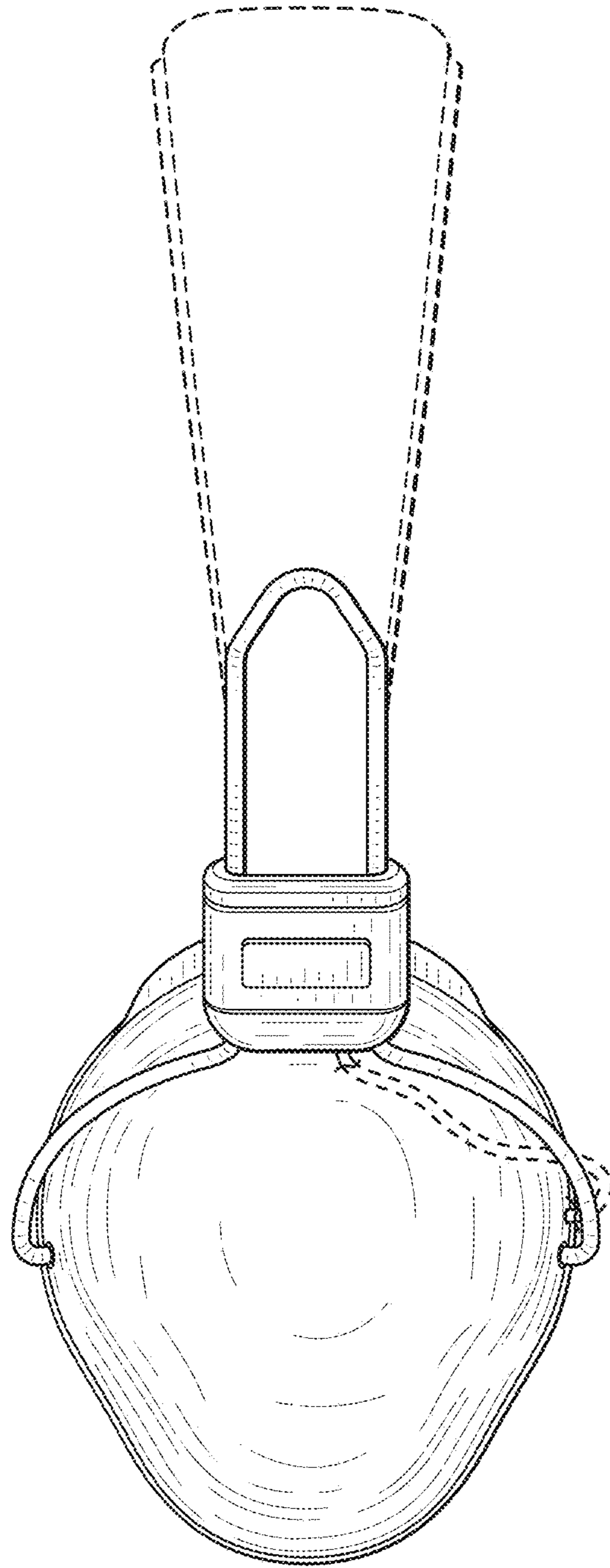


FIG. 5

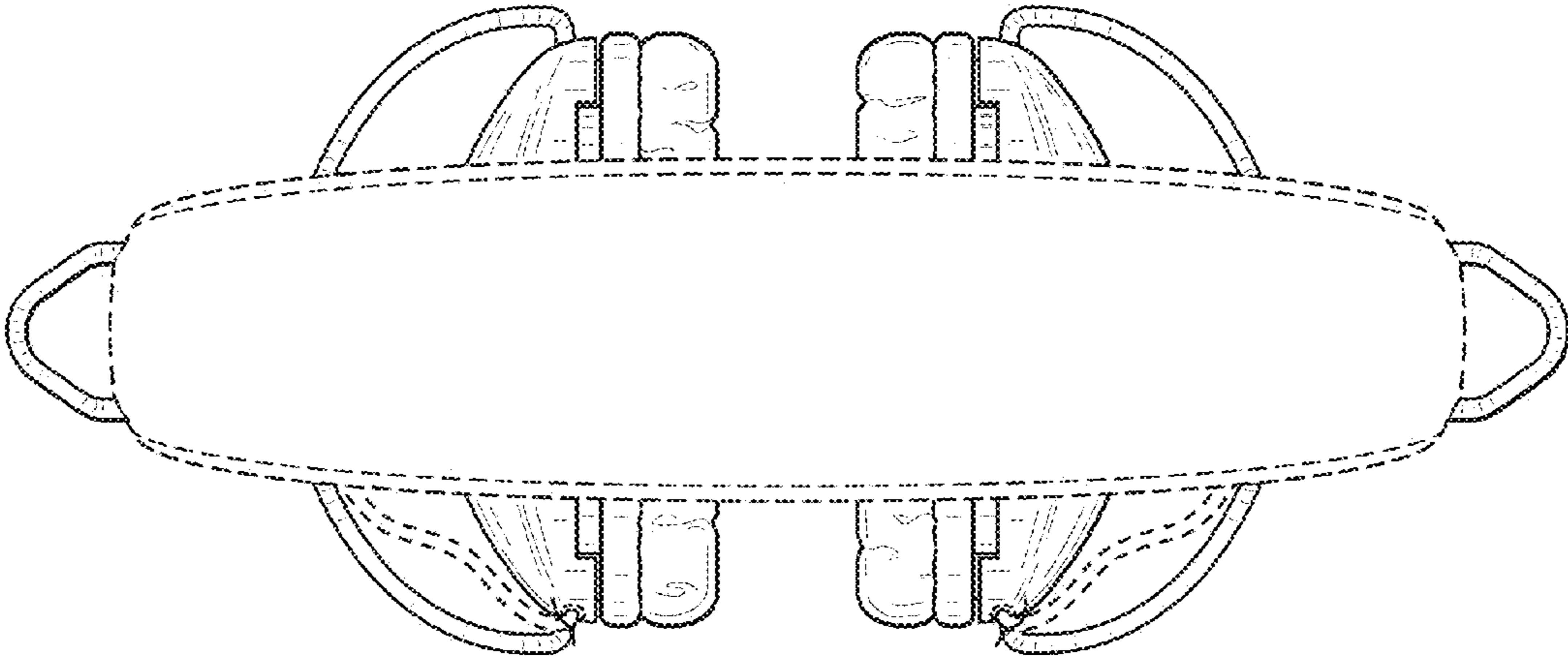


FIG. 6

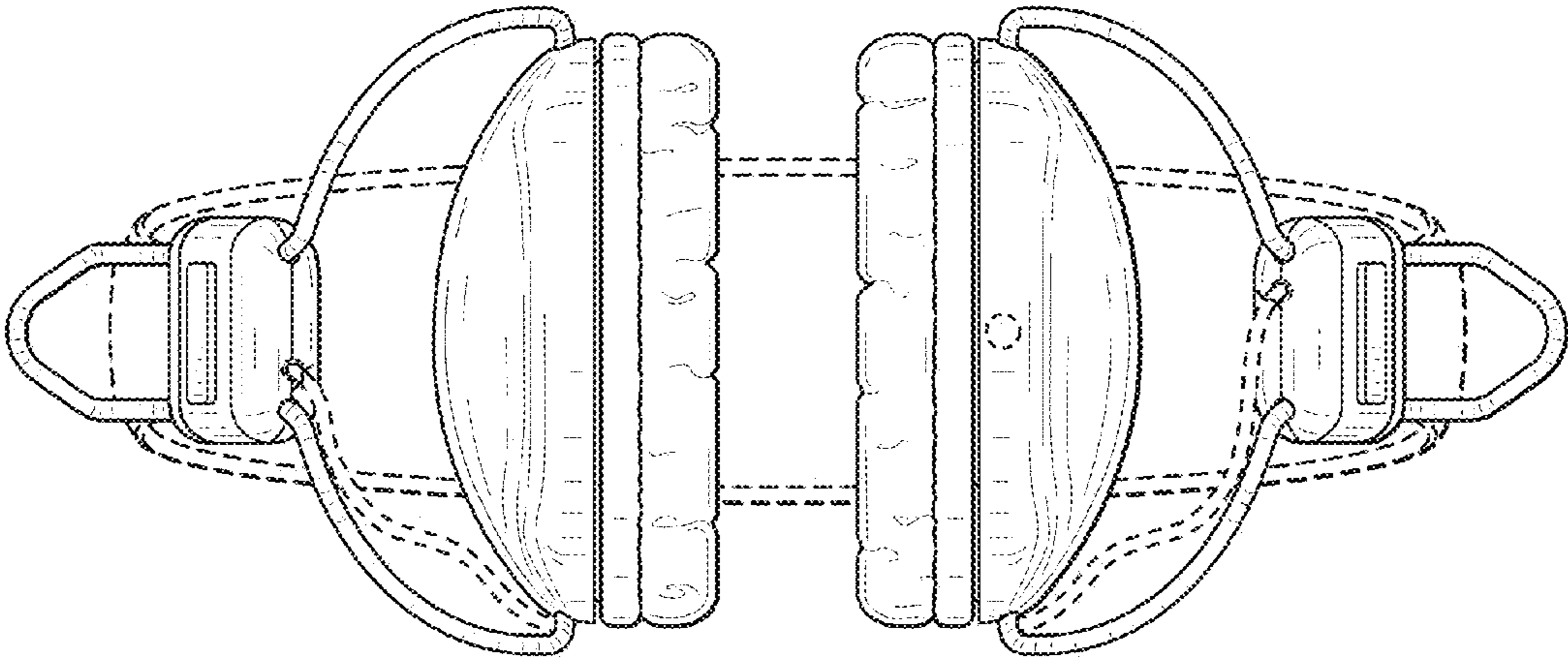


FIG. 7