



US00D700587S

(12) **United States Design Patent**
Fisher et al.

(10) **Patent No.:** **US D700,587 S**
(45) **Date of Patent:** **** Mar. 4, 2014**

(54) **HEADSET CAMERA AND TELECOMMUNICATIONS DEVICE**

(75) Inventors: **Ronald Eugene Fisher**, San Francisco, CA (US); **Bryan Jonathan Davis**, San Francisco, CA (US); **James Fisher**, Walnut Creek, CA (US); **Andrew Merit**, San Francisco, CA (US)

(73) Assignee: **Eyecam, LLC**, San Francisco, CA (US)

(**) Term: **14 Years**

(21) Appl. No.: **29/398,736**

(22) Filed: **Aug. 3, 2011**

(51) **LOC (10) CI.** **14-03**

(52) **U.S. CI.**
USPC **D14/138 R**; D14/203.5; D16/202;
D16/213

(58) **Field of Classification Search**
USPC D14/138 R, 138 C, 138 G, 138 AD,
D14/138 AB, 138 AC, 144, 205, 206, 223,
D14/372, 128, 129, 203.5, 203.4, 192;
455/575.1, 556.1, 575.3, 575.4;
D21/517; 345/8; D16/300, 309, 202,
D16/212, 213, 208; 348/14.02, 164, 158,
348/376

See application file for complete search history.

(56) **References Cited**

U.S. PATENT DOCUMENTS

D179,150 S * 11/1956 Norris D14/192
2,882,348 A * 4/1959 Erickson 381/330

(Continued)

OTHER PUBLICATIONS

Bluetooth Headset-Camera, photo taken Nov. 1, 2007, by Jamais Cascio, [online], [site visited Jan. 18, 2013]. Available from Internet, <http://www.flickr.com/photos/jamais_cascio/1817596072/>.*

(Continued)

Primary Examiner — Jeffrey D Asch

(74) *Attorney, Agent, or Firm* — Michael A. Glenn; Perkins Coie LLP

(57) **CLAIM**

The ornamental design for a headset camera and telecommunications device, as shown and described.

DESCRIPTION

FIG. 1 is a right side, front, and top perspective view of a headset camera and telecommunications device showing our new design;

FIG. 2 is a rear, right side, and top perspective view thereof; FIG. 3 is an exploded rear and right side perspective view thereof;

FIG. 4 is an exploded top, and right side, and front perspective view thereof;

FIG. 5 is an exploded view thereof with the battery module omitted and with the camera and communications module rotated relative to the earpiece module and shown in an open position;

FIG. 6 is a perspective view of the camera and communications module shown in isolation and in an open position;

FIG. 7 is a right side view of the headset camera and telecommunications device of FIG. 1;

FIG. 8 is a top plan view of the camera and communications module shown in isolation and in an open position;

FIG. 9 is a bottom plan view of the camera and communications module shown in isolation and in an open position;

FIG. 10 is a rear elevation view of the battery module shown in isolation;

FIG. 11 is a front elevation view of the battery module shown in isolation;

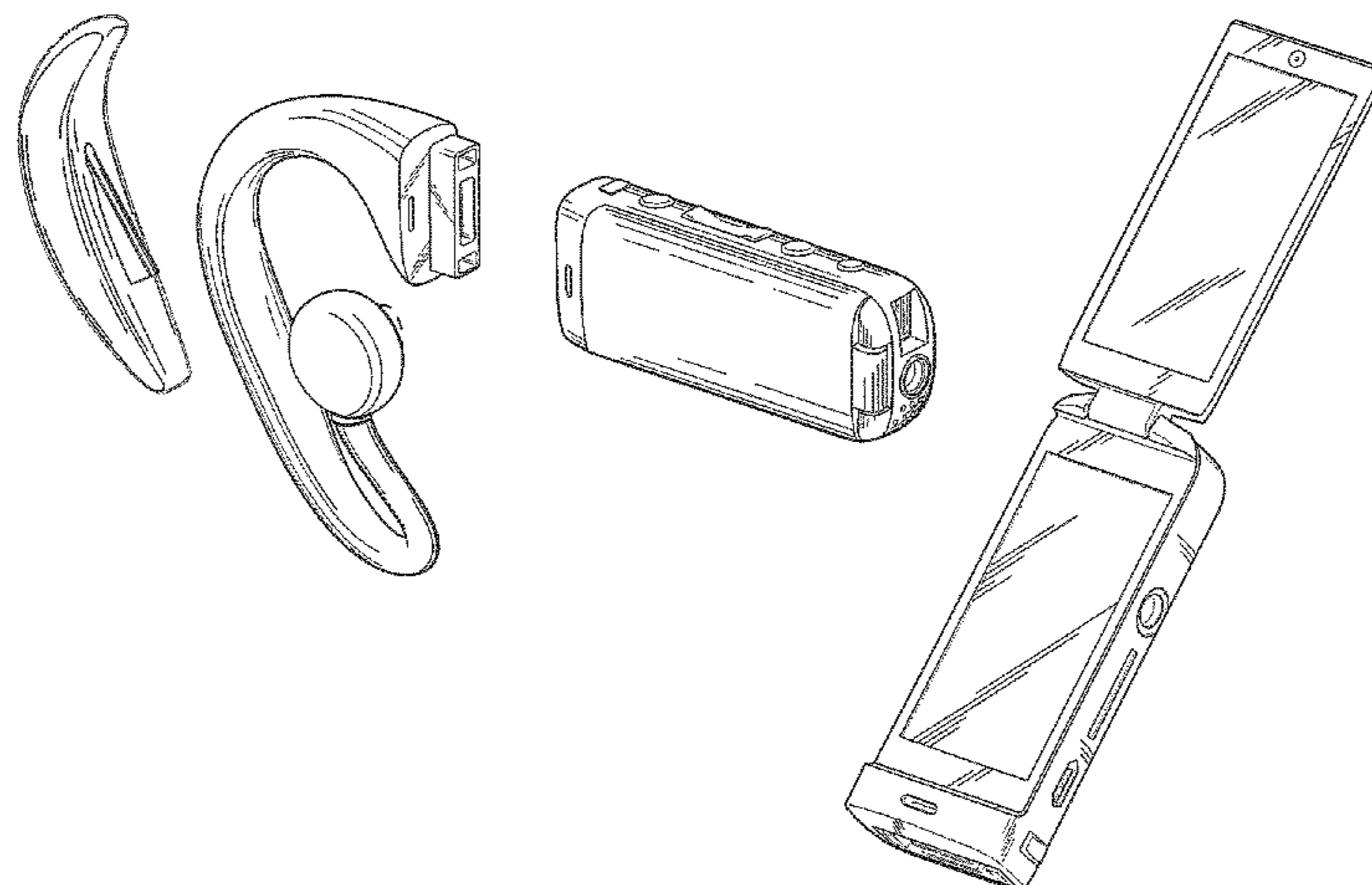
FIG. 12 is a right side elevation view of the battery module shown in isolation;

FIG. 13 is a right side elevation view of the camera and communications module shown in isolation and in an open position; and,

FIG. 14 is a rear elevation view of the earpiece module shown in isolation.

The broken line showing of an earphone in FIGS. 1-5 is for illustrative purposes only and forms no part of the claimed design. The three components that make up the claimed design have been shown isolated and in different combinations in the views for convenience of illustration.

1 Claim, 10 Drawing Sheets



(56)

References Cited

U.S. PATENT DOCUMENTS

3,539,031 A 11/1970 Scanlon
 5,812,101 A * 9/1998 Monarchie et al. 345/8
 D439,574 S 3/2001 Katayama
 D464,638 S 10/2002 Huang
 D471,537 S * 3/2003 Ham D14/223
 D494,296 S 8/2004 Shiu
 D496,331 S * 9/2004 Nan D13/103
 D501,196 S 1/2005 Dyer et al.
 D512,984 S * 12/2005 Ham D14/205
 D541,787 S * 5/2007 Ma D14/205
 D549,215 S 8/2007 Lee
 D555,690 S 11/2007 Choi
 D556,804 S * 12/2007 Ishida D16/203
 D559,831 S 1/2008 Lee
 D565,596 S 4/2008 Kim
 D568,903 S 5/2008 Seo
 D572,234 S * 7/2008 Reda et al. D14/205
 D580,910 S 11/2008 Kim et al.
 D586,329 S 2/2009 Birger
 D591,263 S 4/2009 Shimizu
 D594,030 S 6/2009 Rayn
 D597,522 S 8/2009 Townsend et al.
 D598,469 S 8/2009 Harris, Jr.
 D601,126 S 9/2009 Christopher et al.
 D616,465 S 5/2010 Jones et al.
 D625,297 S * 10/2010 Tseng et al. D14/223
 D629,397 S * 12/2010 Hensen D14/223
 D636,762 S * 4/2011 Hensen D14/223
 D639,787 S 6/2011 Quek
 D643,867 S * 8/2011 Boland et al. D16/219
 D647,877 S 11/2011 Son
 D649,959 S 12/2011 Kim et al.
 D650,810 S 12/2011 Lemelman et al.
 D656,490 S * 3/2012 Birger D14/223
 D659,115 S 5/2012 Van der Werff
 D662,913 S 7/2012 Birger
 D665,774 S 8/2012 Akana et al.

8,390,533 B2 3/2013 Yamamoto
 2008/0266448 A1 * 10/2008 Reiner et al. 348/376
 2009/0097690 A1 4/2009 Liu et al.
 2009/0109286 A1 * 4/2009 Ennis 348/81
 2009/0243968 A1 * 10/2009 Nakazawa 345/8
 2009/0268032 A1 * 10/2009 Jones et al. 348/164
 2010/0039493 A1 * 2/2010 Chao et al. 348/14.02
 2010/0118158 A1 * 5/2010 Boland et al. 348/211.2
 2010/0245585 A1 * 9/2010 Fisher et al. 348/164
 2011/0254964 A1 * 10/2011 Zhang 348/207.1
 2012/0068921 A1 * 3/2012 Jacobsen et al. 345/156
 2013/0033610 A1 2/2013 Osborn

OTHER PUBLICATIONS

Looxcie 2 Wearable Bluetooth Video Camcorder, Black, no posting date given, © 2013 Adorama Camera Inc., [online], [site visited Jan. 18, 2013]. Available from Internet, <URL: <http://www.adorama.com/LX2.html>>.*
 Looxcie iPhone compatible wearable camcorder, posted Dec. 7, 2010, by Michael, [online], [site visited Jan. 18, 2013]. Available from Internet, <URL: <http://www.techmagnews.com/looxcie-iphone-compatible-wearable-camcorder.html>>.*
 Product Profile: Looxcie Wearable Bluetooth Camcorder, posted Aug. 30, 2011 by Fred Singer, [online], [site visited Jan. 18, 2013]. Available from Internet, <URL: <http://www.adorama.com/alc/article/13210>>.*
 Articles Tagged “wearable device”, various articles posted by Simon Hill on Jan. 7 2013, J. Angelo Racoma on Nov. 14, 2012, Simon Hill on Oct. 8, 2012, Nathan Snyder on May 26, 2012, [online], [site visited Jan. 18, 2013]. Available from Internet, <URL: <http://www.androidauthority.com/tag/wearable-device/>>.*
 Looxcie 2 wearable camcorder slims down, adds some accessories, posted Jun. 7, 2011 by Donald Melanson, [online], [site visited Jan. 18, 2013]. Available from Internet, <URL: <http://www.engadget.com/2011/06/07/looxcie-2-wearable-camcorder-slims-down-adds-some-accessories/>>.*

* cited by examiner

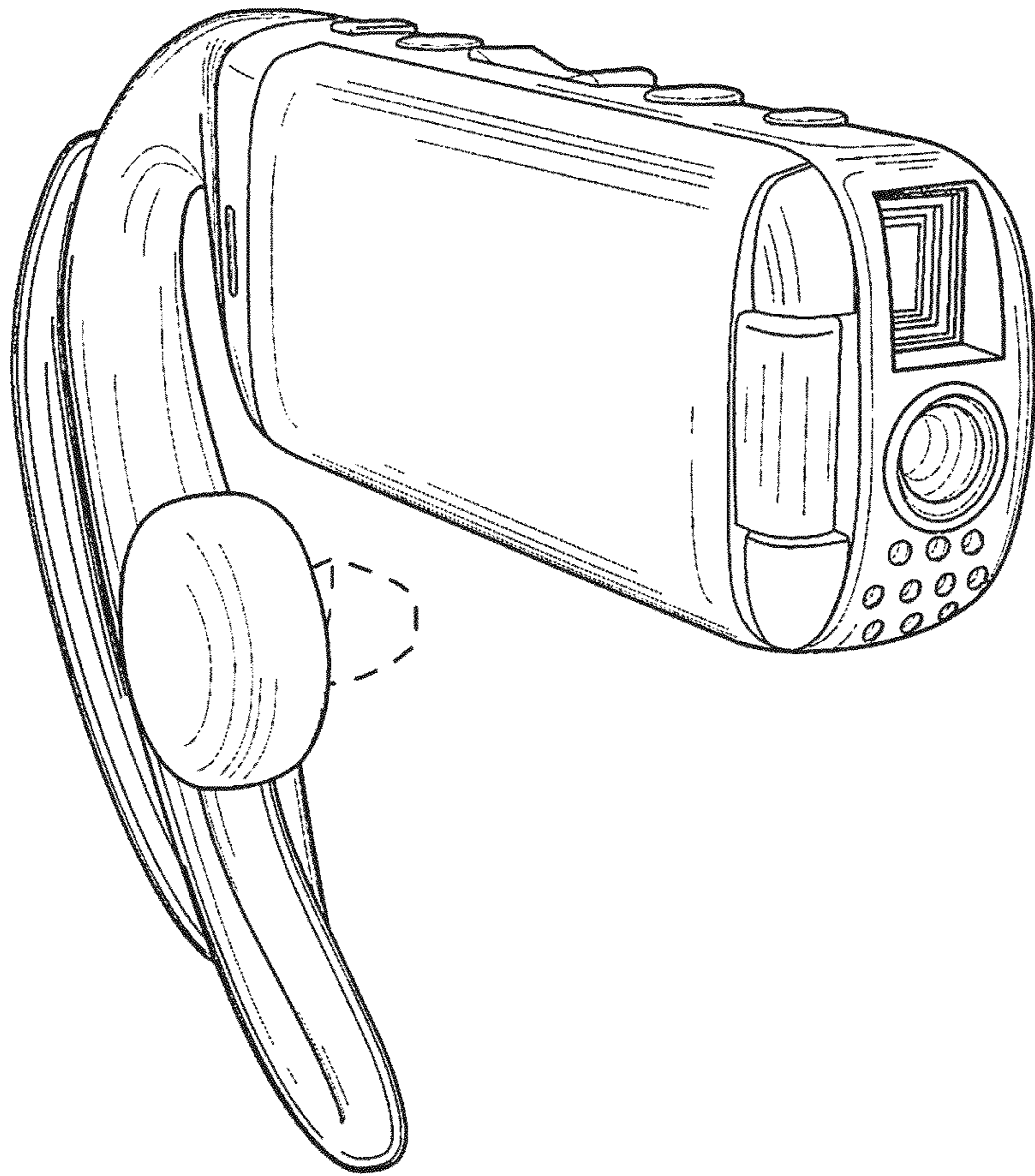


Fig. 1

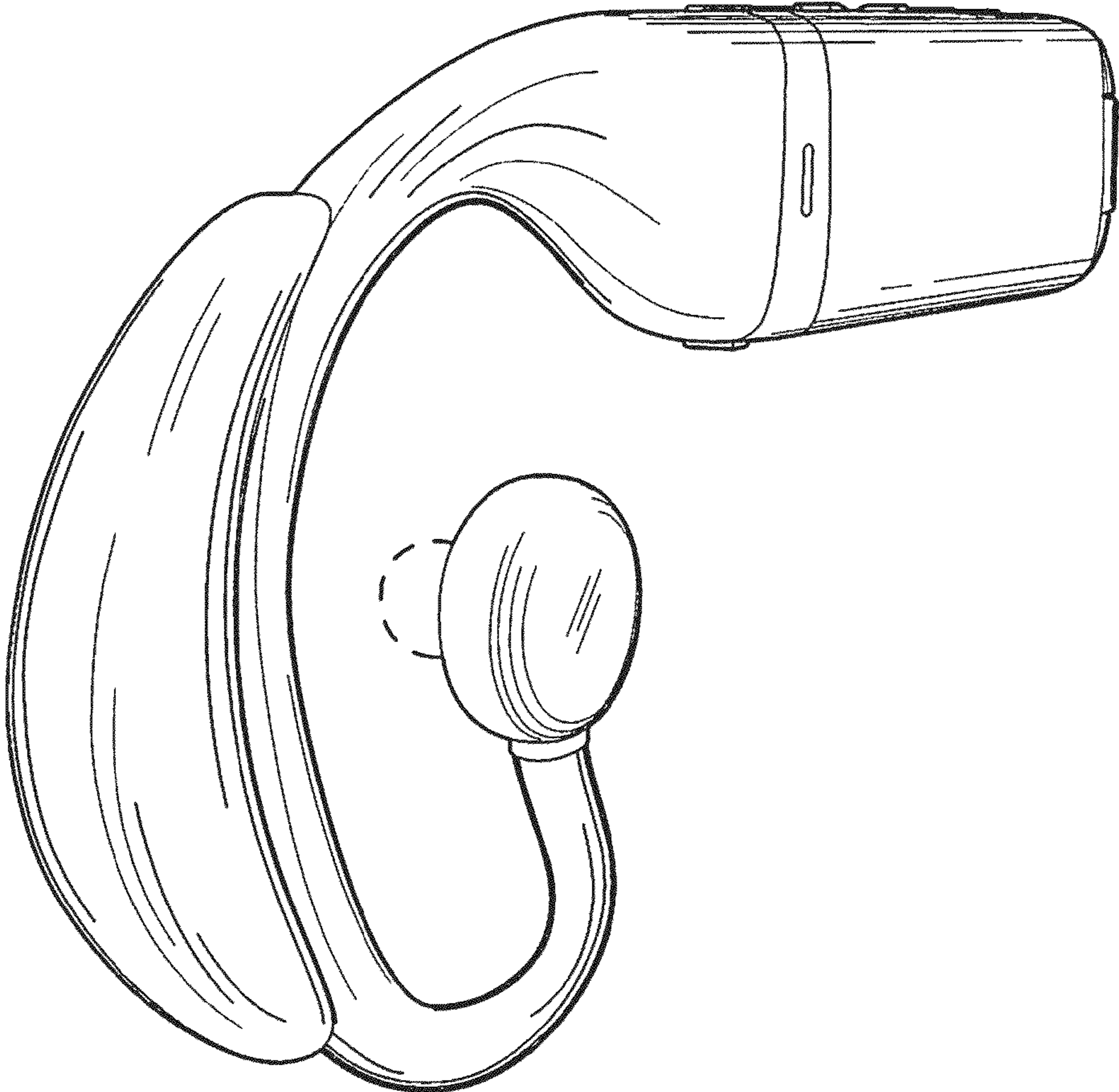


Fig. 2

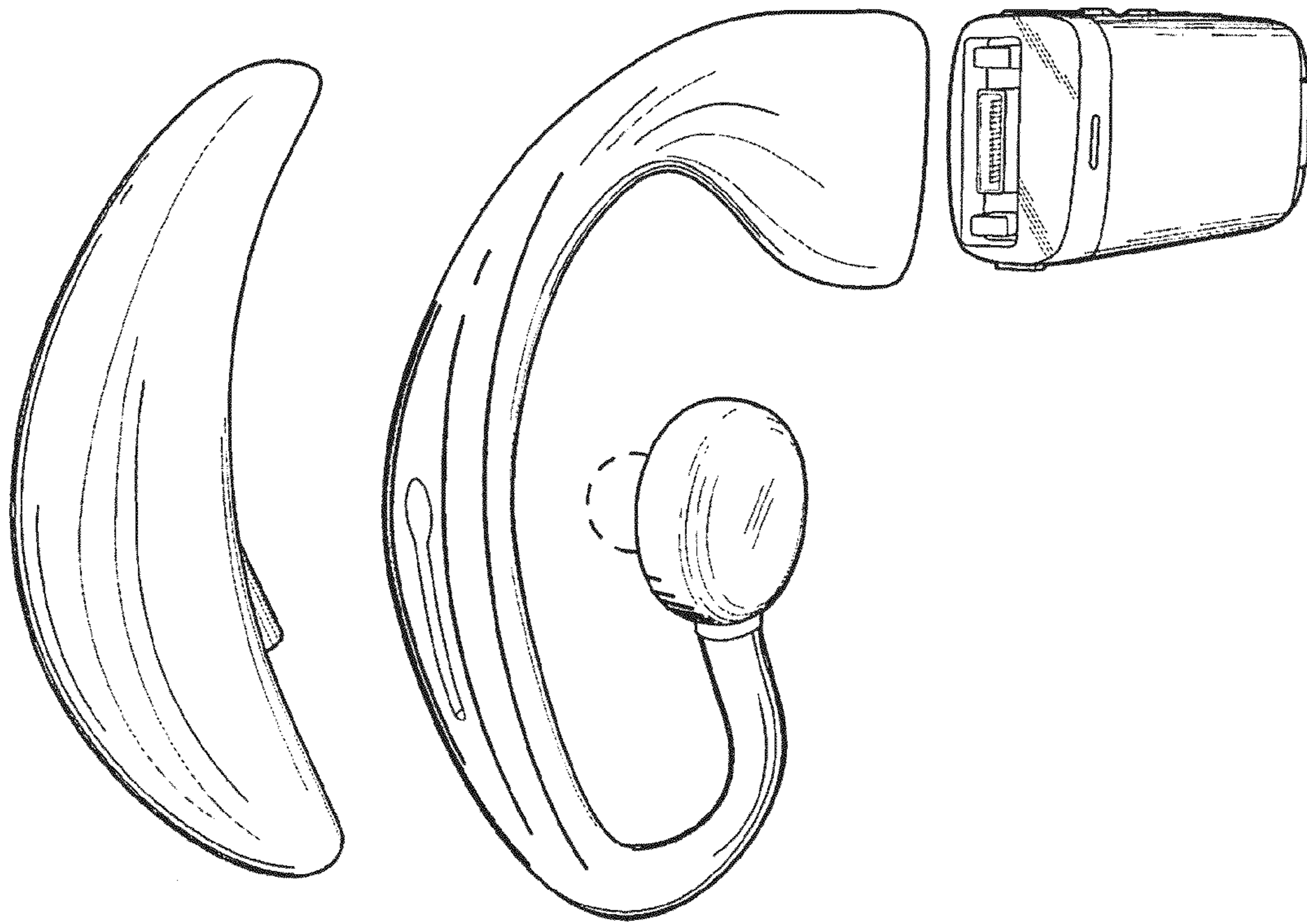


Fig. 3

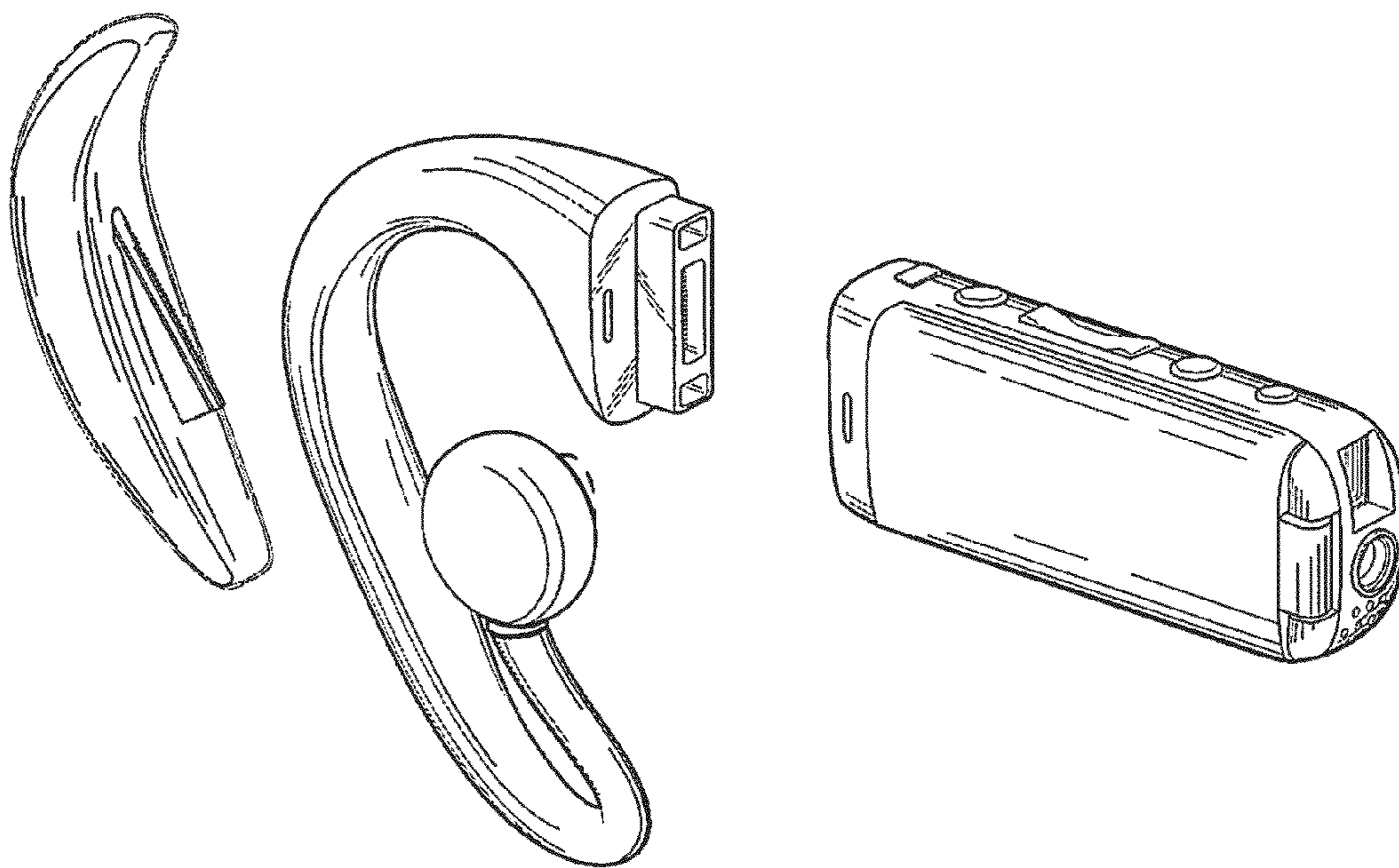


Fig. 4

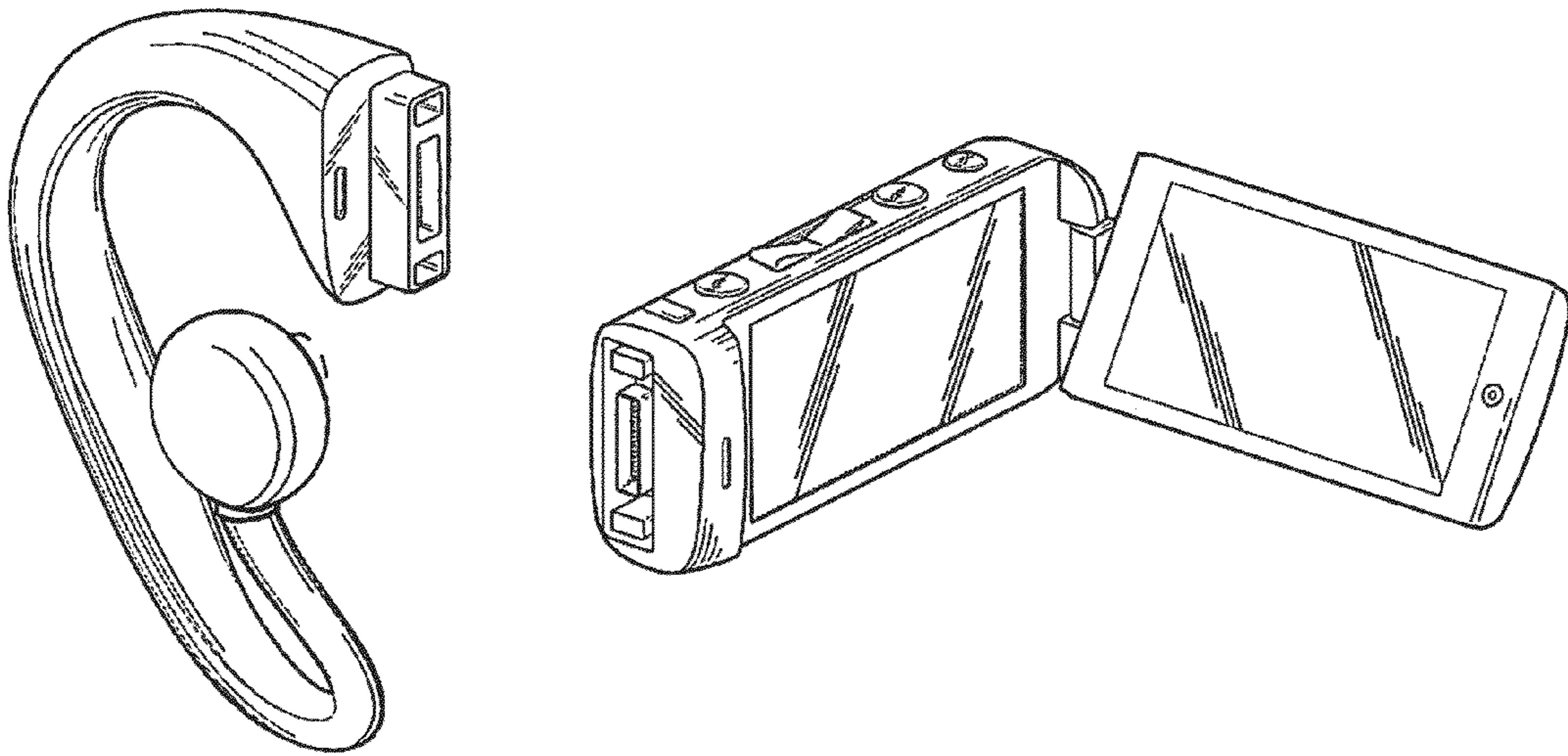


Fig. 5

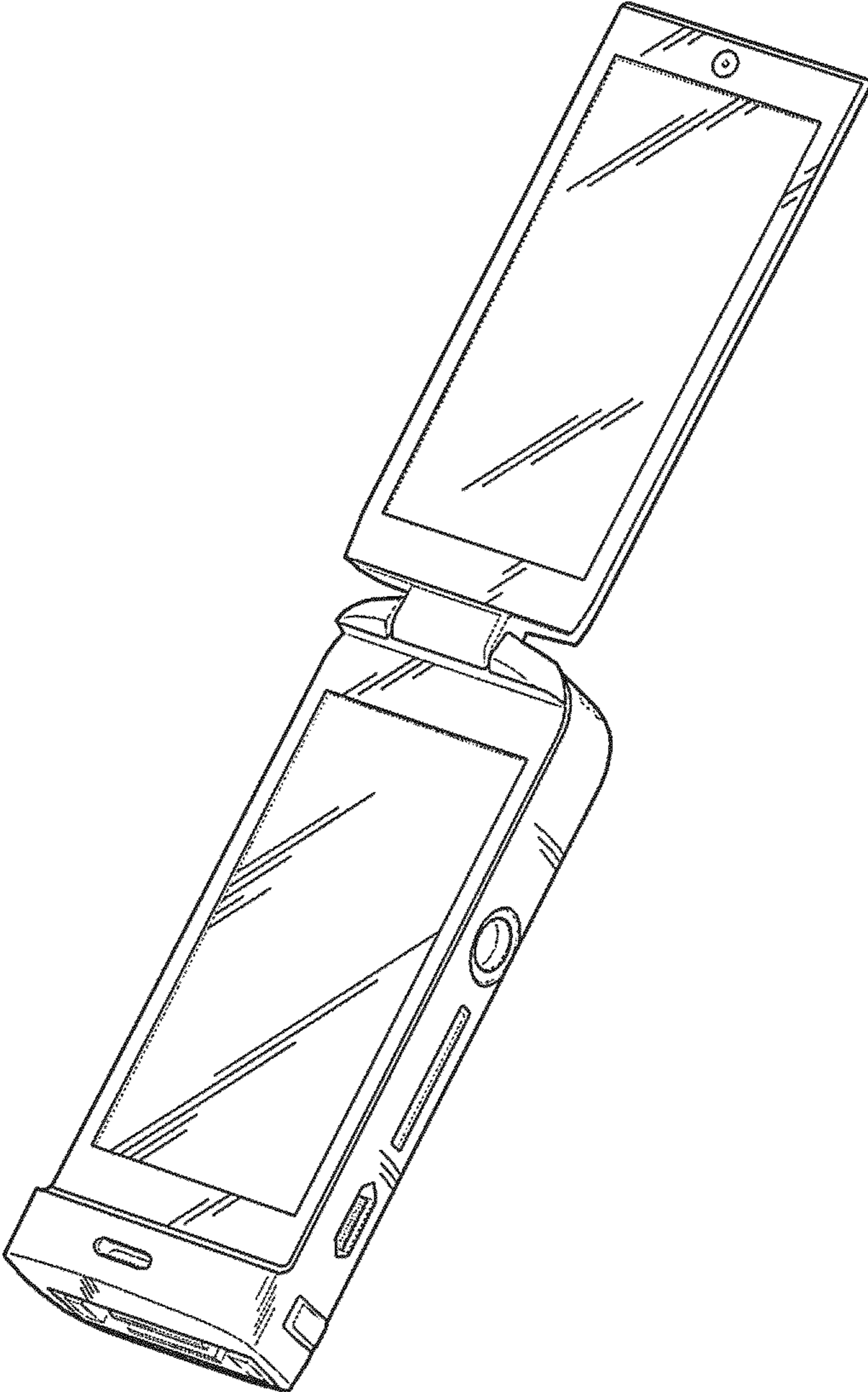


Fig. 6

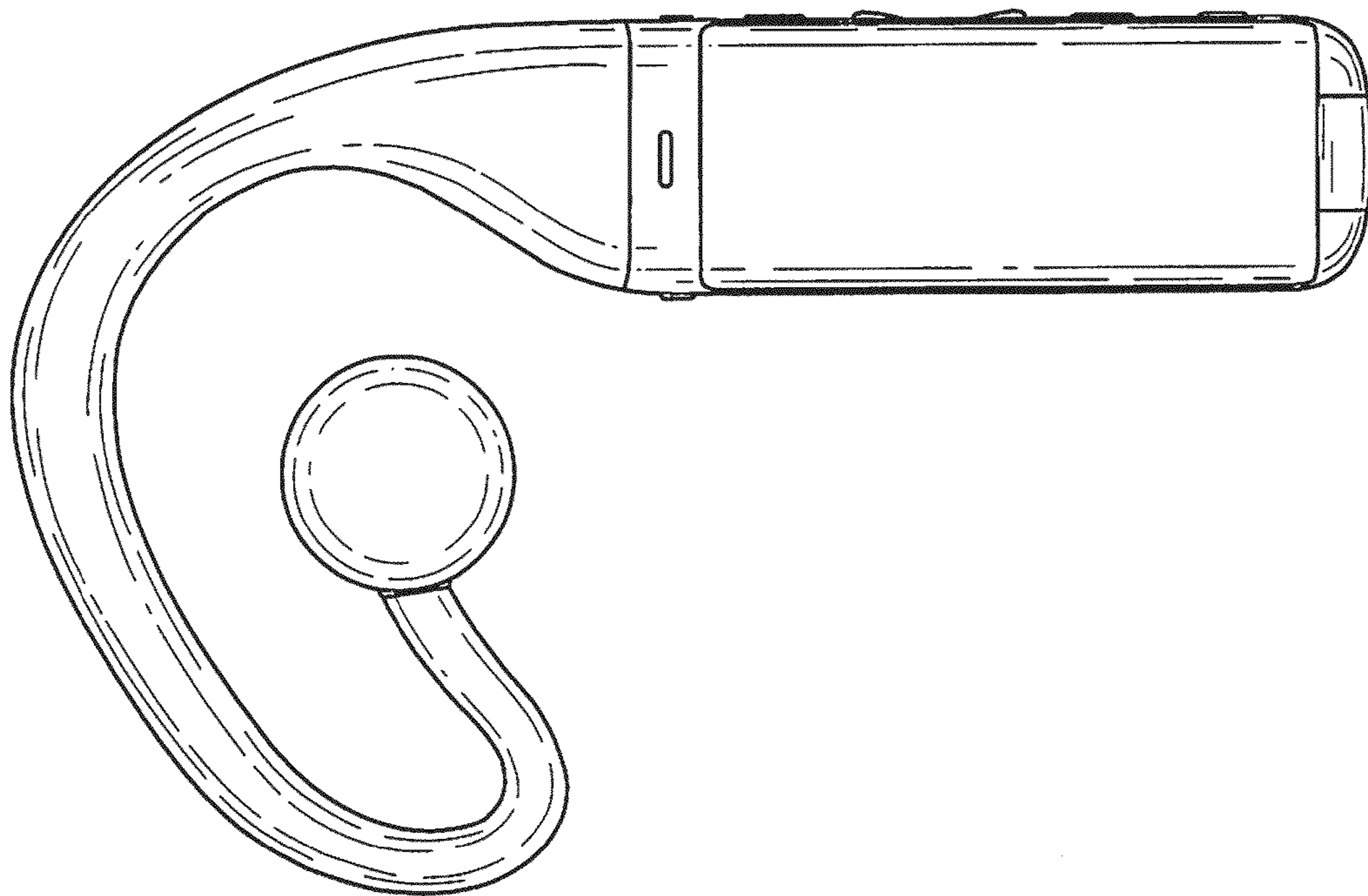


Fig. 7

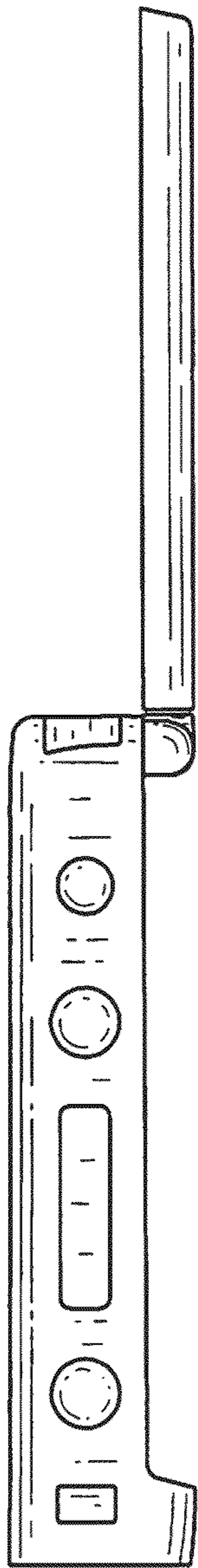


Fig. 8

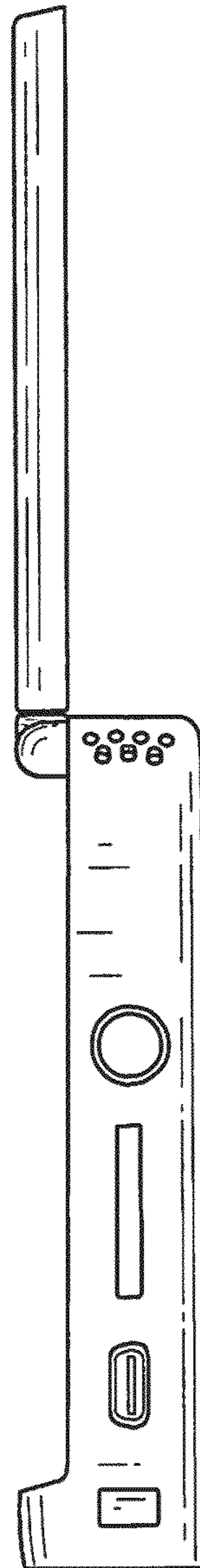


Fig. 9

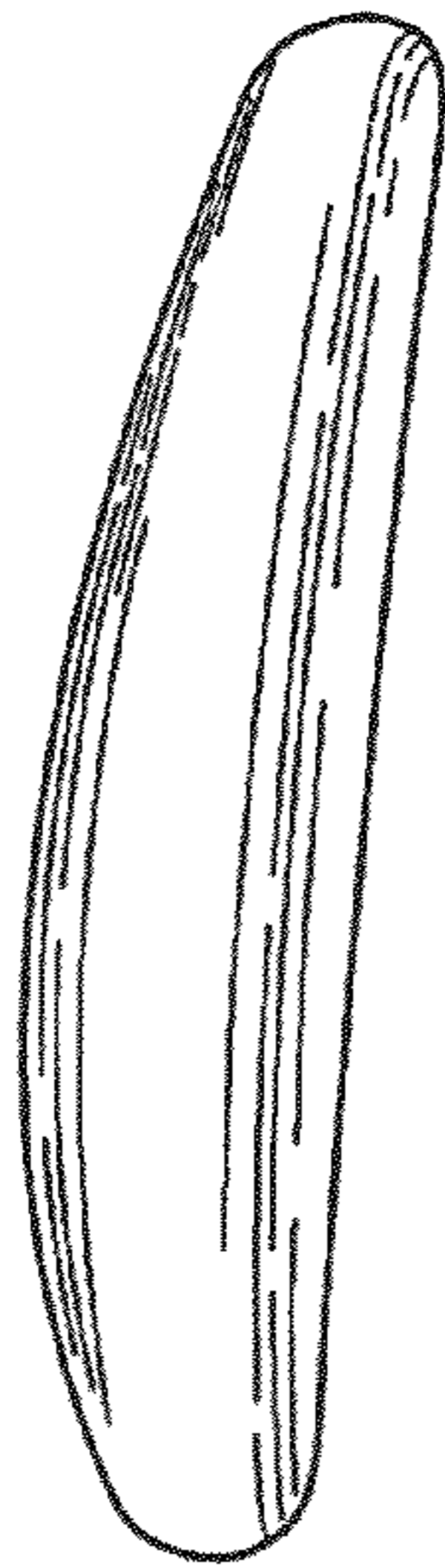


Fig. 10

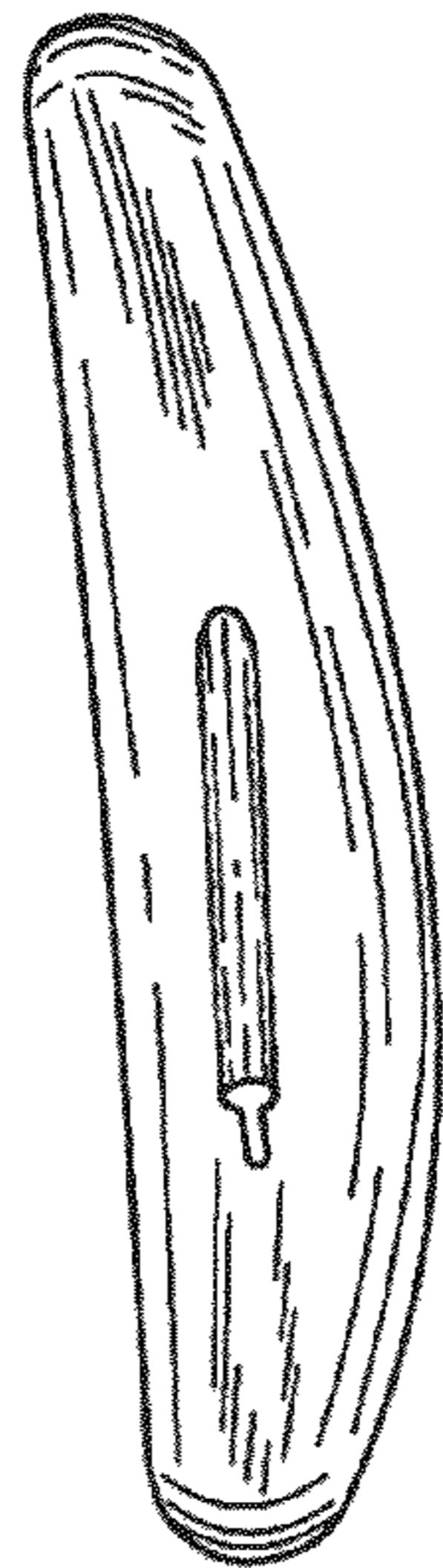


Fig. 11

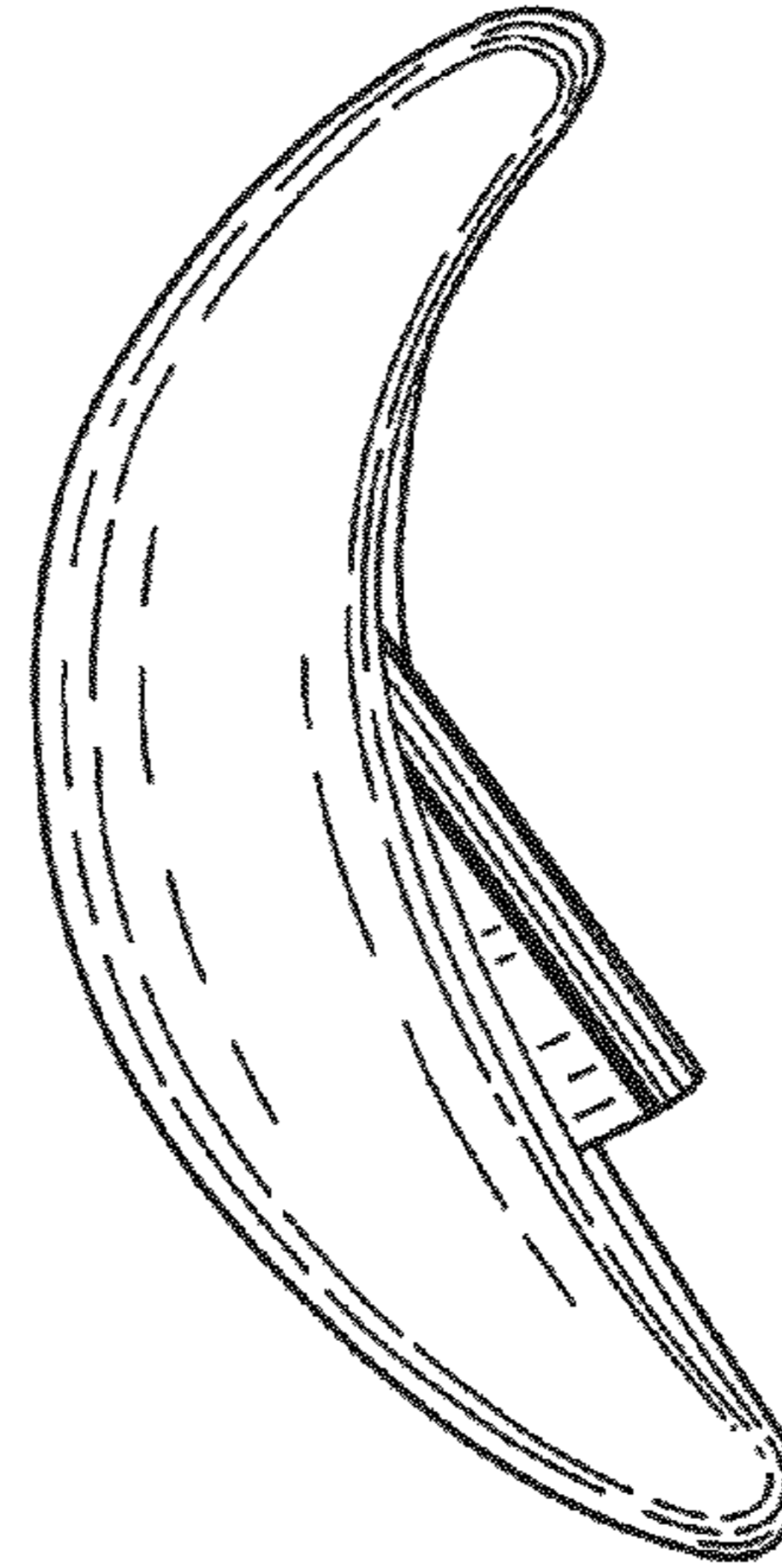


Fig. 12

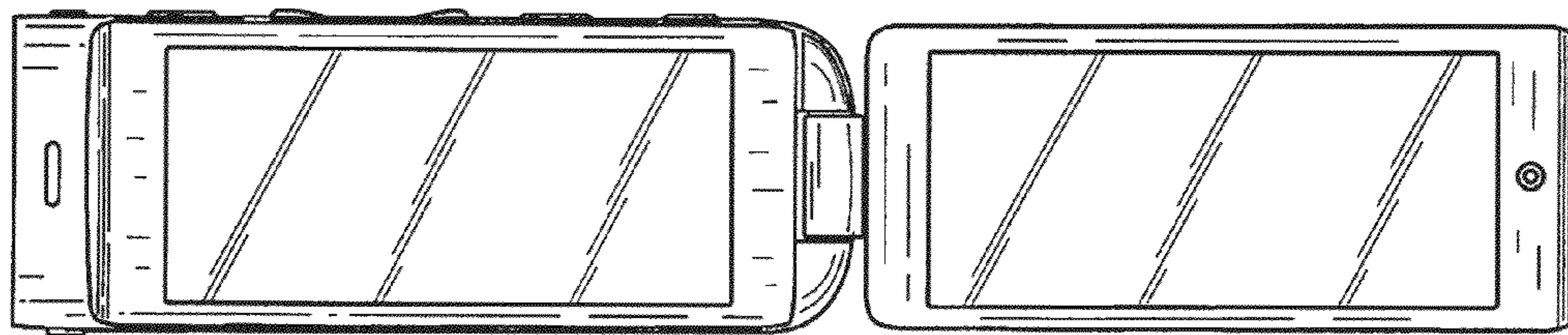


Fig. 13

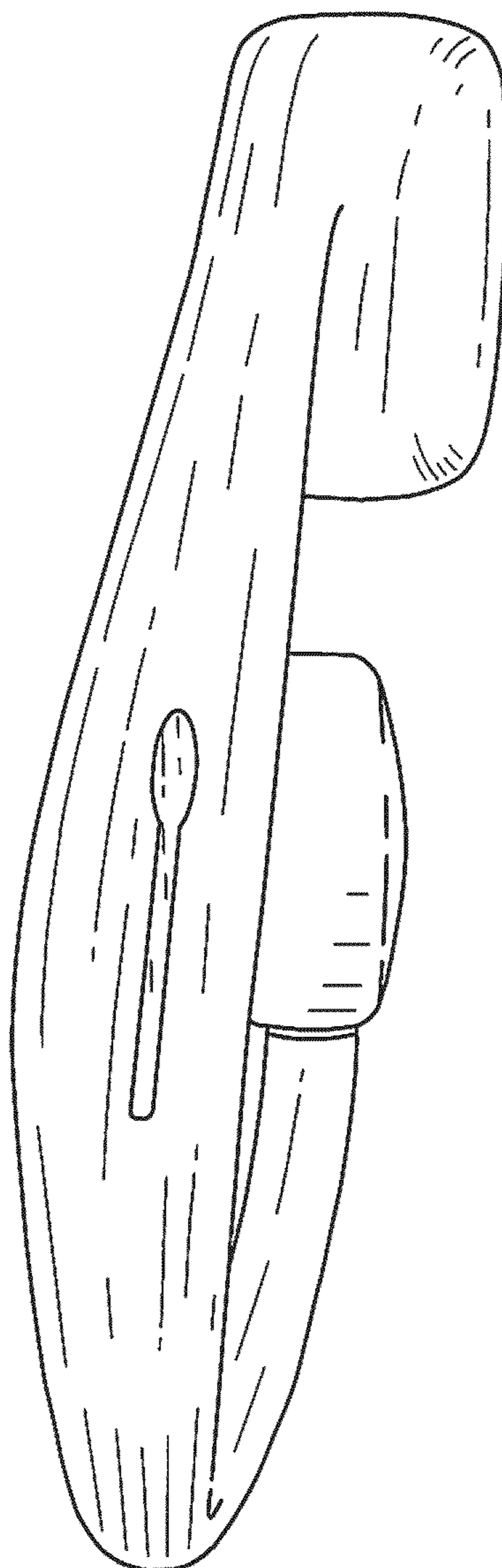


Fig. 14