



US00D700586S

(12) **United States Design Patent**  
**Kim et al.**

(10) **Patent No.:** **US D700,586 S**  
(45) **Date of Patent:** **\*\* Mar. 4, 2014**

(54) **TELEVISION RECEIVER**

(56) **References Cited**

(71) Applicant: **LG Electronics Inc.**, Seoul (KR)

U.S. PATENT DOCUMENTS

(72) Inventors: **Yooseok Kim**, Seoul (KR); **Woosuk Park**, Jeonbuk (KR); **Hyunhee You**, Gyeonggi-do (KR)

D618,189 S *	6/2010	Honda	.....	D14/126
D626,924 S	11/2010	Miyaji		
D641,329 S *	7/2011	Zhang	.....	D14/126
D646,245 S *	10/2011	Ryu et al.	.....	D14/126
D656,912 S *	4/2012	Lee et al.	.....	D14/126
D656,913 S *	4/2012	Ann et al.	.....	D14/126
D656,914 S *	4/2012	Shin et al.	.....	D14/126
D659,662 S *	5/2012	Lv et al.	.....	D14/126
D660,815 S *	5/2012	Itou et al.	.....	D14/126
D661,269 S	6/2012	Lee et al.		
D661,272 S	6/2012	Kim et al.		
D671,513 S	11/2012	Jang et al.		
D674,368 S *	1/2013	Yoo et al.	.....	D14/126
D680,981 S *	4/2013	Kim et al.	.....	D14/126
D681,576 S *	5/2013	Lee et al.	.....	D14/126
D682,231 S *	5/2013	Lee et al.	.....	D14/126

(73) Assignee: **LG Electronics Inc.**, Seoul (KR)

(\*\*) Term: **14 Years**

(21) Appl. No.: **29/444,456**

(22) Filed: **Jan. 30, 2013**

OTHER PUBLICATIONS

USPTO Notice of Allowance dated Feb. 1, 2013 in parent U.S. Appl. No. 29/429,657.

**Related U.S. Application Data**

(63) Continuation of application No. 29/429,657, filed on Aug. 15, 2012, now Pat. No. Des. 680,981.

\* cited by examiner

(30) **Foreign Application Priority Data**

Feb. 16, 2012 (KR) ..... 30-2012-0007094

*Primary Examiner* — Raphael Barkai

(51) **LOC (10) Cl.** ..... **14-03**

(74) *Attorney, Agent, or Firm* — Morgan, Lewis & Bockius LLP

(52) **U.S. Cl.**

USPC ..... **D14/126**

(57) **CLAIM**

The ornamental design for a television receiver, as shown and described.

(58) **Field of Classification Search**

USPC ..... D14/125-134, 239, 371, 136, 374-377, D14/440, 450, 448, 336, 342, 159; 312/7.2; 348/836, 838, 180, 184, 325, 739; 341/12; 248/917-924, 465; 345/104, 345/133, 156, 168, 87, 173; 720/605, 669, 720/600, 655; 369/99, 197; D21/329, 515, D21/577, 622, 333, 433, 448, 452, 450, D21/331; D6/477, 479, 300-310; 273/148 B; 446/484, 175, 356; D10/15, D10/26

**DESCRIPTION**

FIG. 1 is a perspective view of a television receiver showing our new design;  
FIG. 2 is a front view thereof;  
FIG. 3 is a rear view thereof;  
FIG. 4 is a left side view thereof where the right side view is a mirror image;  
FIG. 5 is a top plan view thereof; and,  
FIG. 6 is a bottom plan view thereof.  
The broken lines depict portions of the television receiver that form no part of the claimed design.

See application file for complete search history.

**1 Claim, 5 Drawing Sheets**

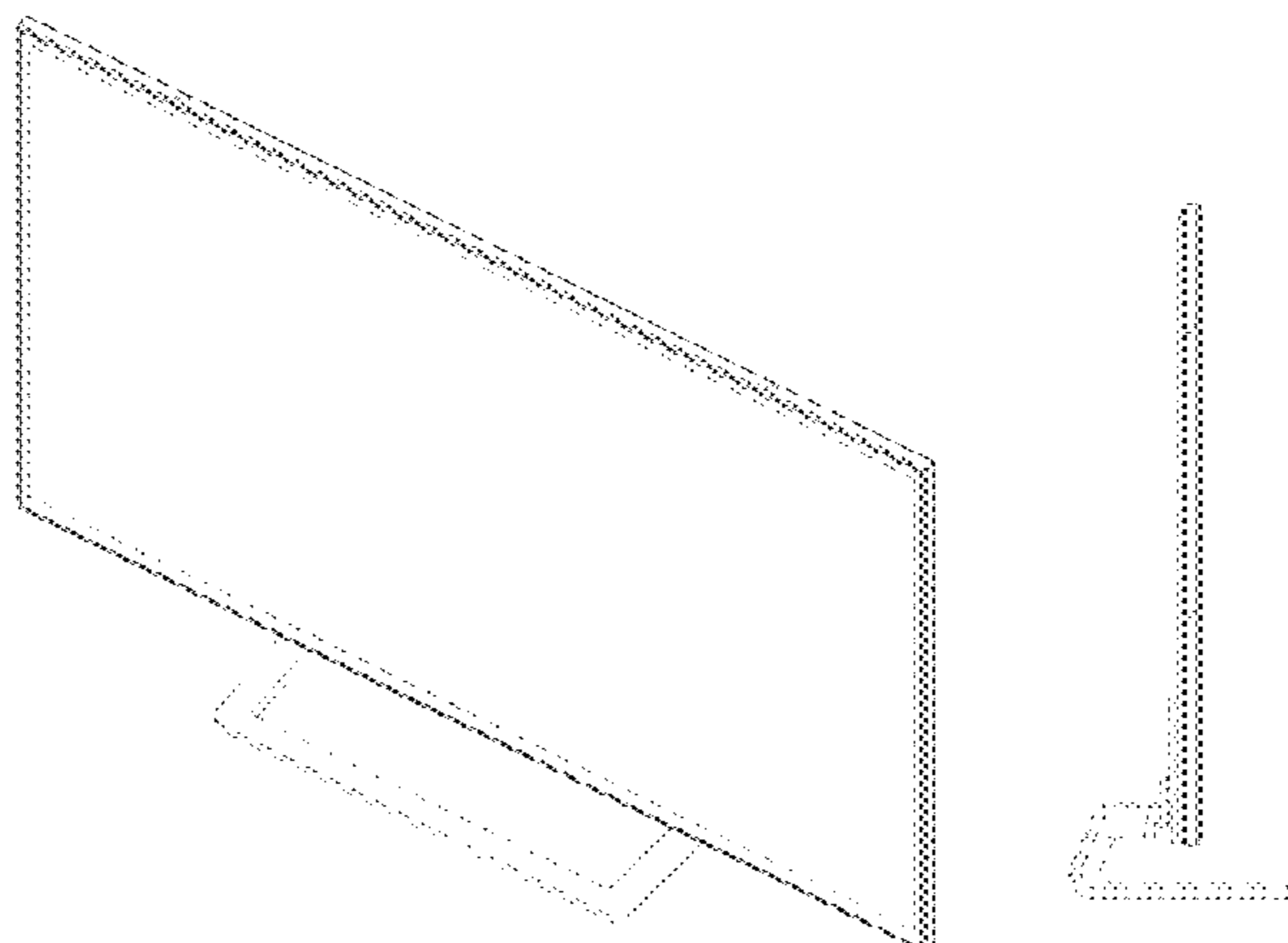


FIG. 1

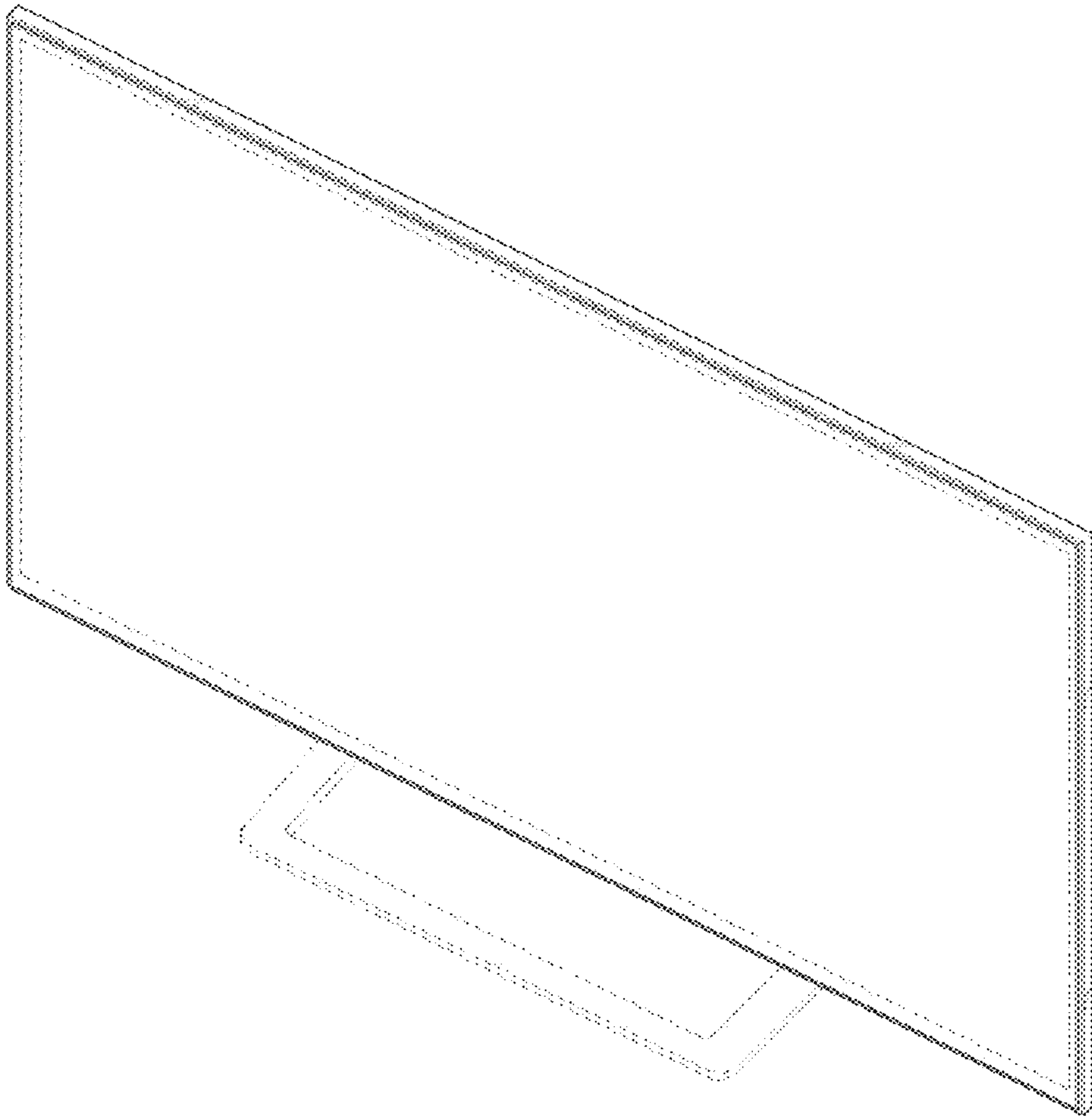


FIG. 2

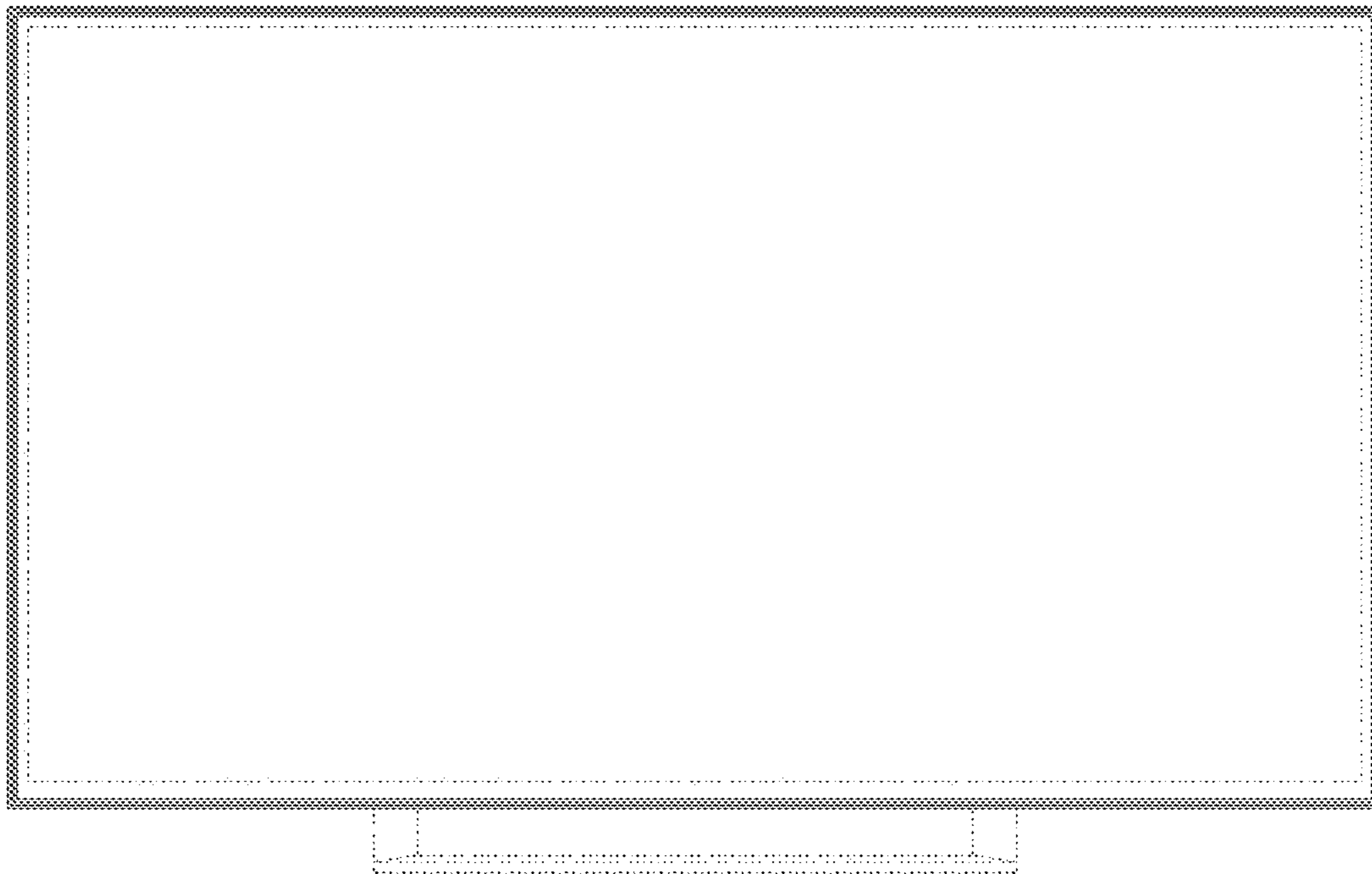


FIG. 3

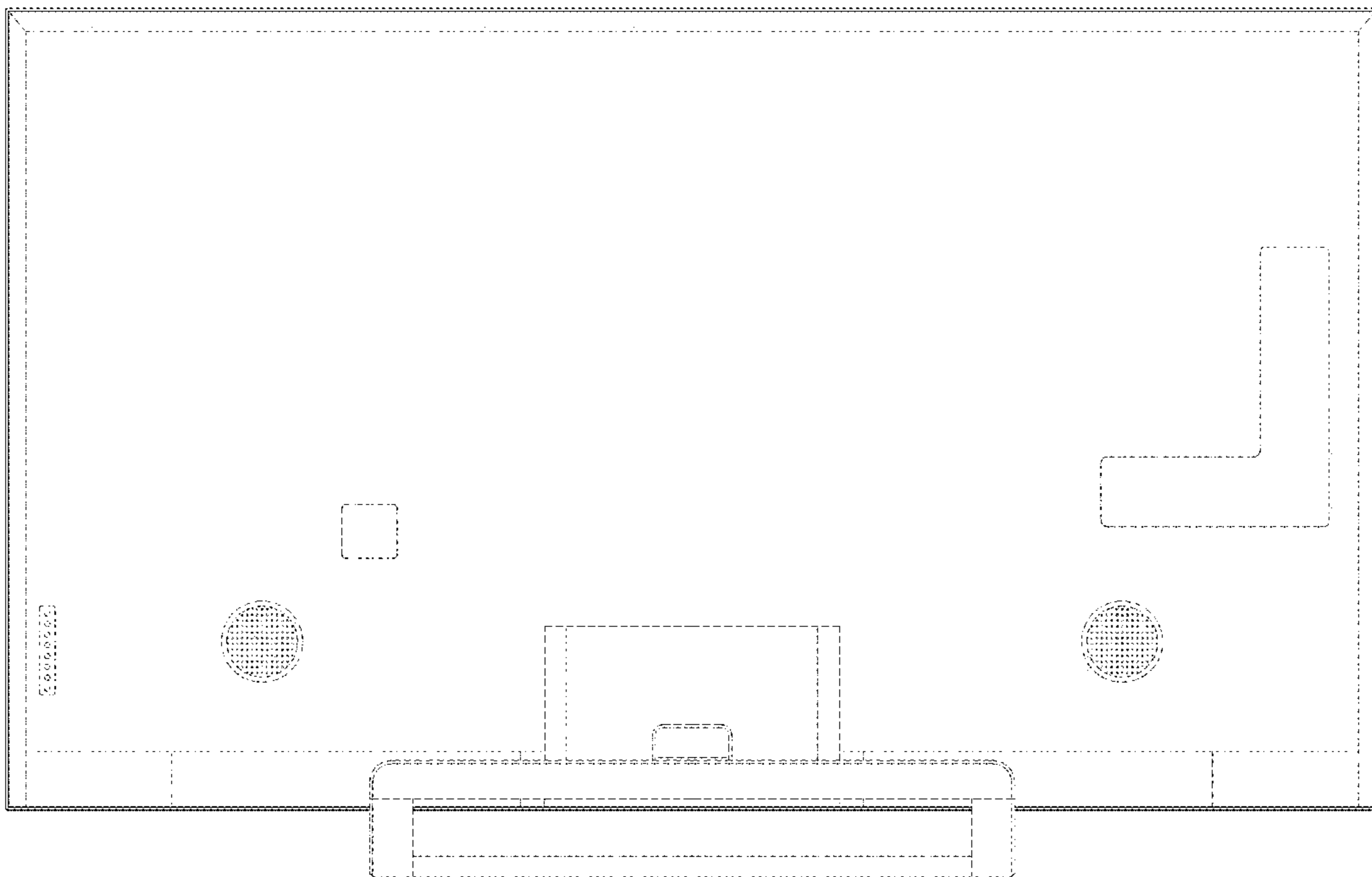


FIG. 4

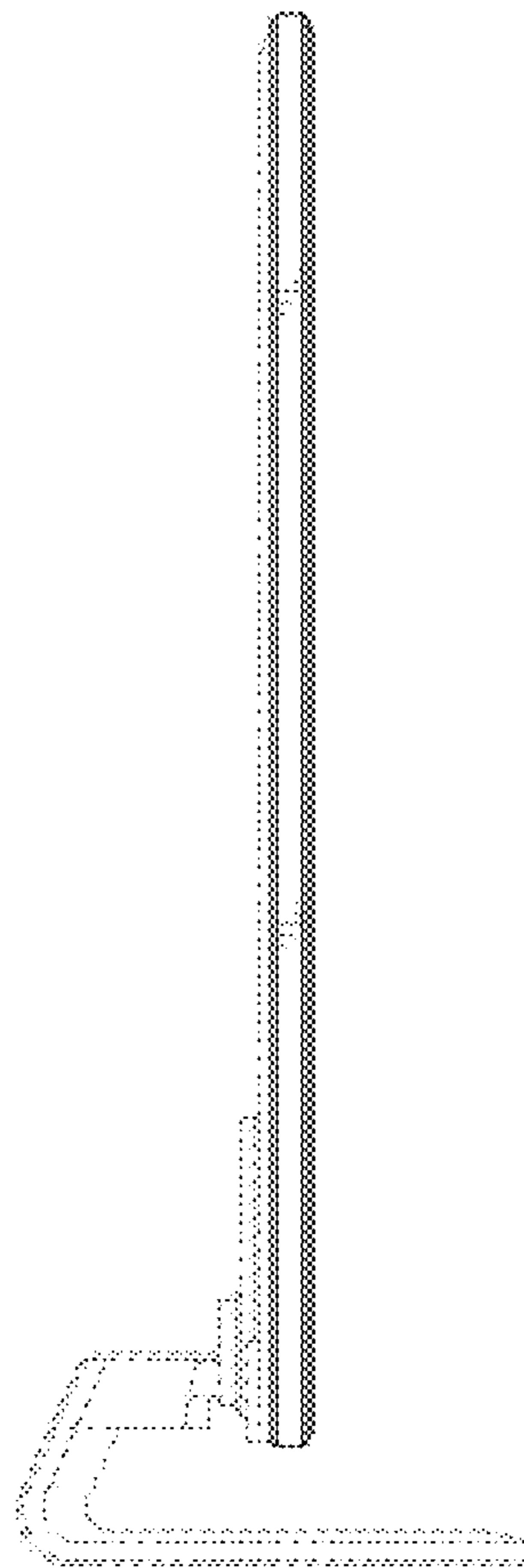


FIG. 5

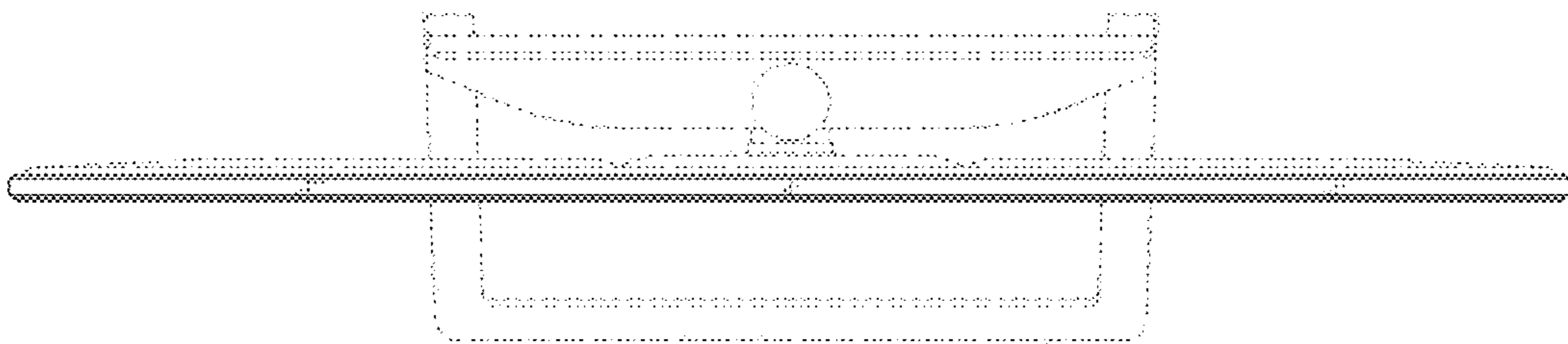


FIG. 6

