



US00D700583S

(12) **United States Design Patent**
Bacchus

(10) **Patent No.:** **US D700,583 S**
(45) **Date of Patent:** **** Mar. 4, 2014**

(54) **COVER FOR A BATTERY COMPARTMENT
OF A REMOTE CONTROL**

(76) Inventor: **Roseanna Bacchus**, Brooklyn, NY (US)

(**) Term: **14 Years**

(21) Appl. No.: **29/425,013**

(22) Filed: **Jun. 19, 2012**

(51) **LOC (10) Cl.** **14-03**

(52) **U.S. Cl.**
USPC **D13/168**; D13/184

(58) **Field of Classification Search**
USPC D13/102-106, 118-119, 168, 184;
D3/203.2, 294; D9/414, 423, 424, 430,
D9/432, 727, 721, 759; D14/218; D28/83;
220/255, 283; 320/108; 340/4.3, 4.42,
340/12.22, 12.23, 12.24, 12.29, 12.3, 13.2,
340/13.21, 13.24; 341/176; 345/156, 169;
361/679.01; 429/96, 97, 100, 163, 176;
455/575.1; 700/17, 65, 83

See application file for complete search history.

(56) **References Cited**

U.S. PATENT DOCUMENTS

2,206,260	A *	7/1940	Nyden	220/283
D256,283	S *	8/1980	Chevassus	D28/83
D262,150	S *	12/1981	Sussman	D28/83
D268,098	S *	3/1983	Brown	D9/418
4,399,826	A *	8/1983	Ogasawara	132/301
D305,164	S *	12/1989	Hall	D28/83
D339,063	S *	9/1993	Simon	D9/433
5,295,580	A *	3/1994	Hicks	206/588
D352,601	S *	11/1994	Dallaire	D3/212
D375,932	S *	11/1996	Nagele et al.	D13/103
D398,527	S *	9/1998	Maceachern et al.	D9/432
D406,098	S *	2/1999	Walter et al.	D13/103
D422,120	S *	3/2000	Orsomando	D28/83
D478,866	S *	8/2003	Nakai	D13/103
D513,863	S *	1/2006	Wahl et al.	D3/203.2
D637,153	S *	5/2011	Ikeda et al.	D13/103

7,954,664	B2 *	6/2011	Cronin et al.	220/819
D642,743	S *	8/2011	Shteytsel	D28/83
8,025,995	B2 *	9/2011	Wang	429/97
8,072,749	B1 *	12/2011	Chen	361/679.55
D662,044	S *	6/2012	Lemelman et al.	D13/103
8,203,829	B2 *	6/2012	Yuan	361/679.01
8,212,708	B2 *	7/2012	Nozoe et al.	341/176
D669,868	S *	10/2012	Bacchus	D13/168
8,409,739	B2 *	4/2013	Ouyang	429/97
8,450,003	B2 *	5/2013	Ouyang	429/97
2003/0211382	A1 *	11/2003	Aoyama	429/96

(Continued)

Primary Examiner — Selina Sikder

(74) *Attorney, Agent, or Firm* — Gottlieb, Rackman & Reisman, P.C.

(57) **CLAIM**

The ornamental design for a cover for a battery compartment of a remote control, as shown and described.

DESCRIPTION

FIG. 1 is a top, left and front perspective view of the cover for a battery compartment of a remote control showing my new design in closed position;

FIG. 2 is a top, left and front perspective view thereof in open position;

FIG. 3 is a top plan view thereof;

FIG. 4 is a front view thereof;

FIG. 5 is a right side view thereof, the left side being a mirror image;

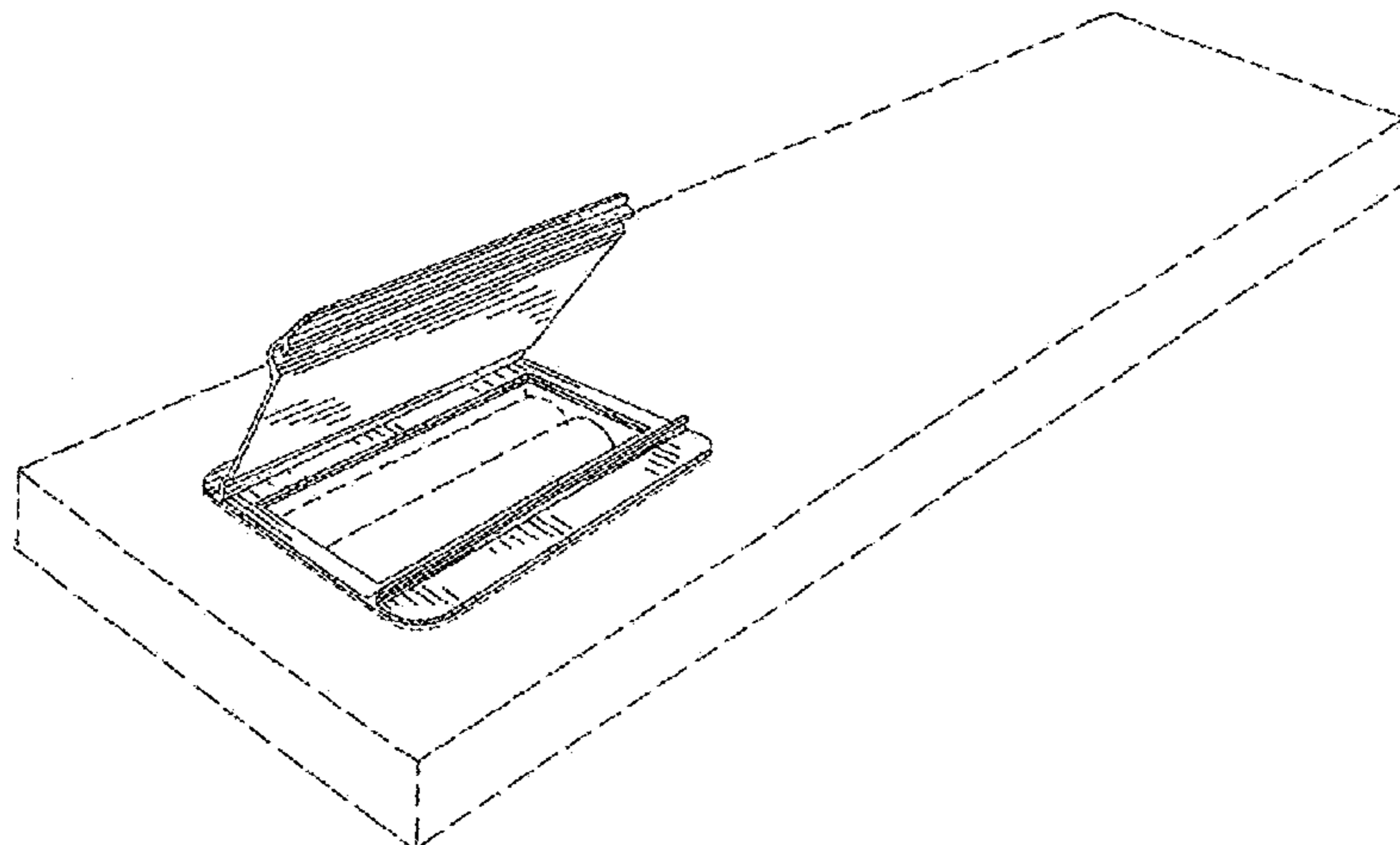
FIG. 6 is a rear view thereof; and,

FIG. 7 is an exploded view thereof.

The bottom plan view of the cover for a battery compartment of a remote control is flat and devoid of surface ornamentation.

The broken lines in FIGS. 1, 2, 4-7 showing the remote control, the battery compartment and a means for securing the cover for a battery compartment to the remote control are for illustrative purpose only and form no part of the claimed design.

1 Claim, 3 Drawing Sheets



US D700,583 S

Page 2

(56)

References Cited

U.S. PATENT DOCUMENTS

2007/0077487	A1*	4/2007	Yang et al.	429/187	
2010/0103594	A1*	4/2010	Wang	361/679.01	
2010/0143780	A1*	6/2010	Yang et al.	429/100	
2011/0020681	A1*	1/2011	Liu	429/97	
2011/0070472	A1*	3/2011	Cui et al.	429/97	
2011/0195289	A1*	8/2011	Ouyang	429/97	

* cited by examiner

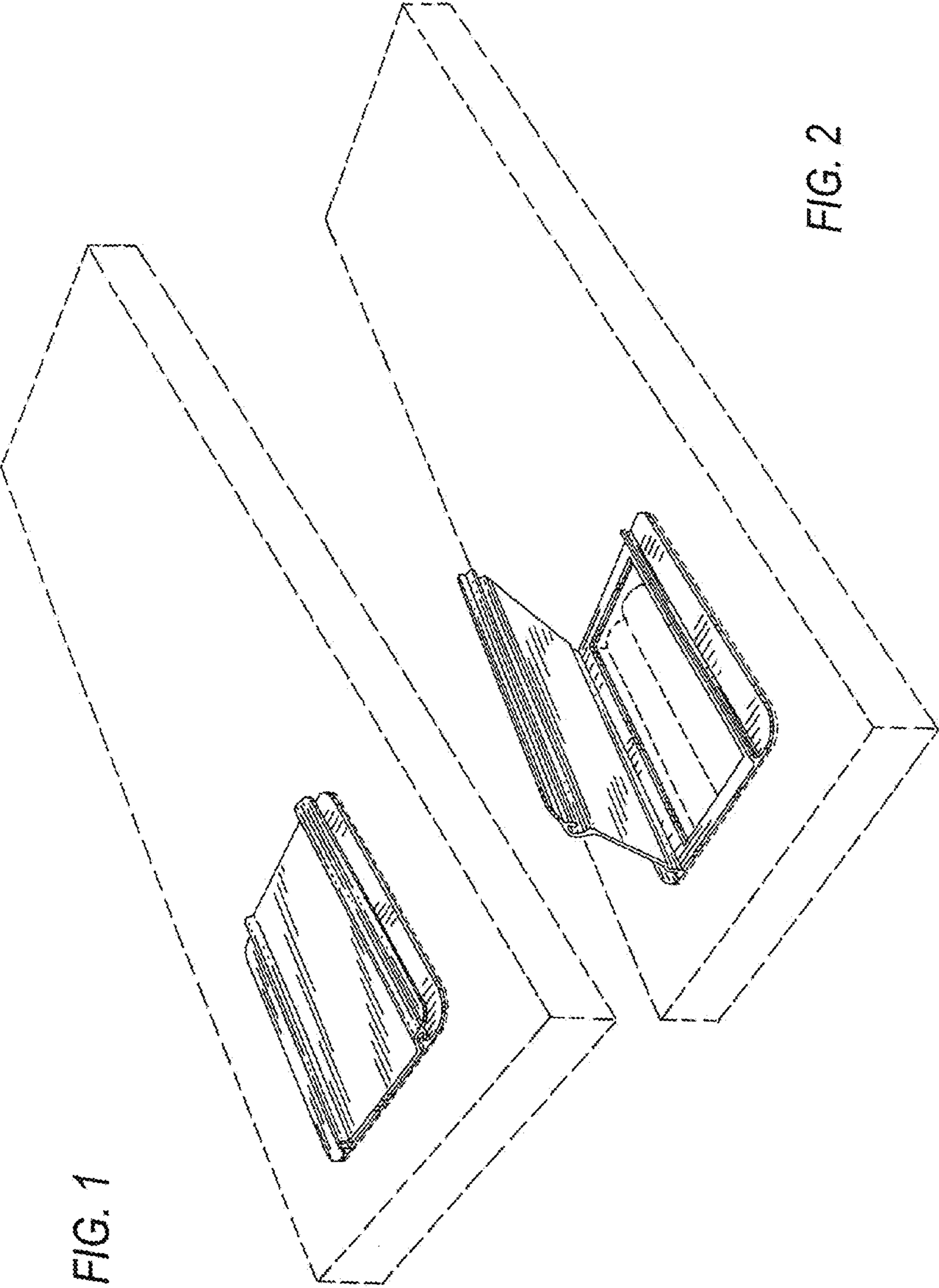


FIG. 1

FIG. 2

FIG. 3

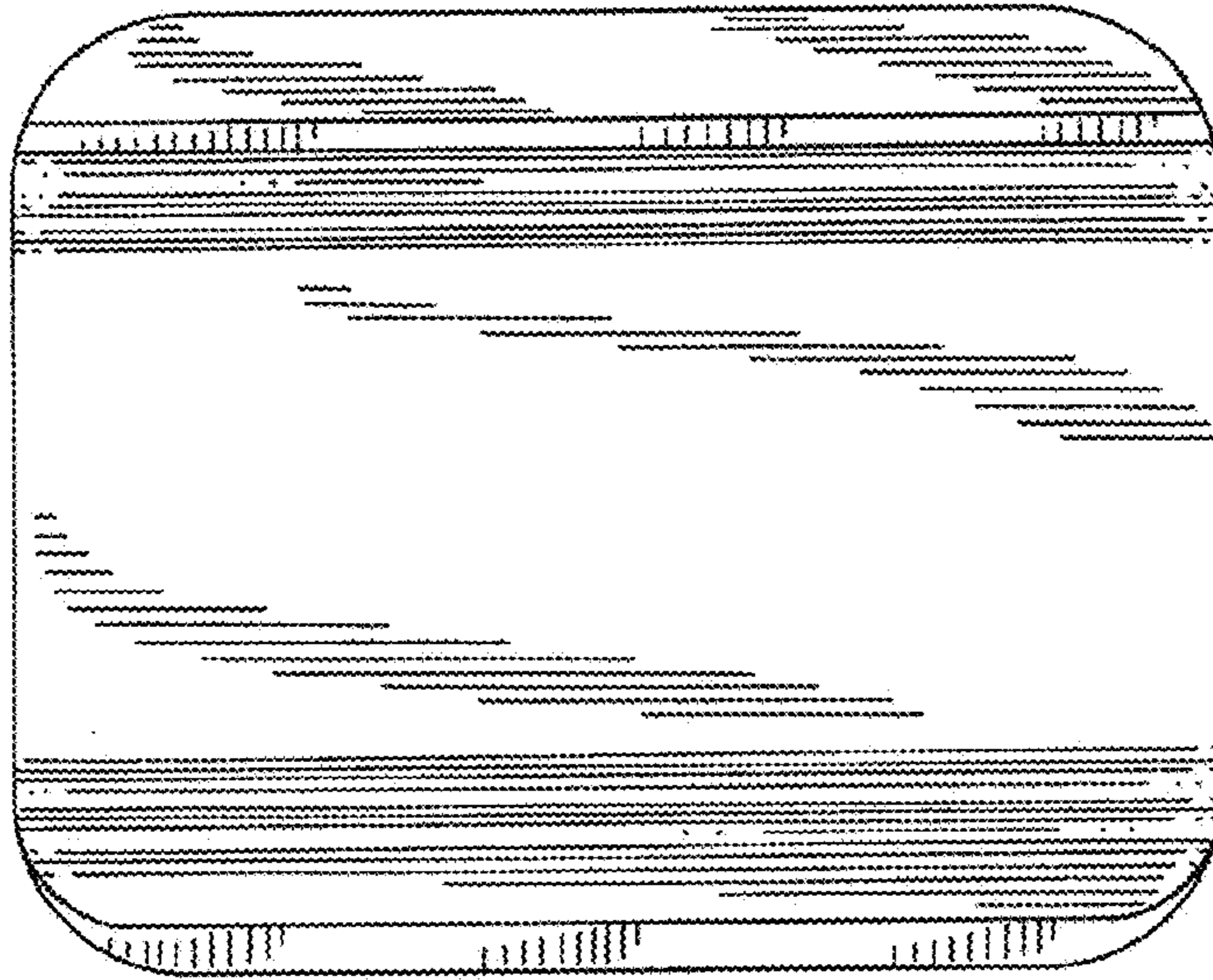


FIG. 4



FIG. 5



FIG. 6

FIG. 7

