



US00D700582S

(12) **United States Design Patent**
Yoshisuji

(10) **Patent No.:** **US D700,582 S**
(45) **Date of Patent:** **** Mar. 4, 2014**

(54) **ELECTRIC CONNECTOR**

- (71) Applicant: **Dai-Ichi Seiko Co., Ltd.**, Kyoto (JP)
- (72) Inventor: **Takashi Yoshisuji**, Tokyo (JP)
- (73) Assignee: **Dai-Ichi Seiko Co., Ltd.**, Kyoto-shi (JP)
- (**) Term: **14 Years**
- (21) Appl. No.: **29/454,279**
- (22) Filed: **May 8, 2013**

(30) **Foreign Application Priority Data**

Nov. 19, 2012 (JP) 2012-028231

(51) **LOC (10) Cl.** **13-03**

(52) **U.S. Cl.**
USPC **D13/147**

(58) **Field of Classification Search**

USPC D13/147, 154, 184, 199; 439/79, 108,
439/350, 353, 357, 378, 476.1, 489, 587,
439/594, 595, 598, 607.01, 607.04, 607.05,
439/607.17, 607.25, 607.34, 607.41,
439/607.53, 656, 660, 668, 680, 711, 745,
439/752

See application file for complete search history.

(56) **References Cited**

U.S. PATENT DOCUMENTS

D489,335 S *	5/2004	Ko	D13/147
D530,674 S *	10/2006	Ko	D13/147
D583,765 S *	12/2008	Chiang	D13/147
D598,862 S *	8/2009	Chen	D13/147
D602,439 S *	10/2009	Yu et al.	D13/147
D626,077 S *	10/2010	Huang	D13/147
2012/0238125 A1	9/2012	Yoshisuji et al.		

FOREIGN PATENT DOCUMENTS

JP	S 1085006	9/2000
JP	S 1196337	2/2004
JP	S 1277615	7/2006
JP	S 1385596	4/2010

OTHER PUBLICATIONS

U.S. Appl. No. 29/457,234, filed Jun. 7, 2013, Yoshisuji.
 U.S. Appl. No. 29/457,252, filed Jun. 7, 2013, Yoshisuji.
 U.S. Appl. No. 29/402,240, filed Sep. 22, 2011, Yoshisuji.
 U.S. Appl. No. 29/402,237, filed Sep. 22, 2011, Yoshisuji.
 U.S. Appl. No. 29/402,872, filed Sep. 28, 2011, Yoshisuji.

(Continued)

Primary Examiner — Daniel Bui

(74) *Attorney, Agent, or Firm* — Oblon, Spivak, McClelland, Maier & Neustadt, L.L.P.

(57) **CLAIM**

The ornamental design for an electric connector, as shown and described.

DESCRIPTION

FIG. 1 is a rear, top, and left side perspective view of an electric connector of an embodiment showing my new design;

FIG. 2 is a rear, bottom, and left side perspective view thereof;

FIG. 3 is a top plan view thereof;

FIG. 4 is a front elevational view thereof;

FIG. 5 is a bottom plan view thereof;

FIG. 6 is a rear elevational view thereof;

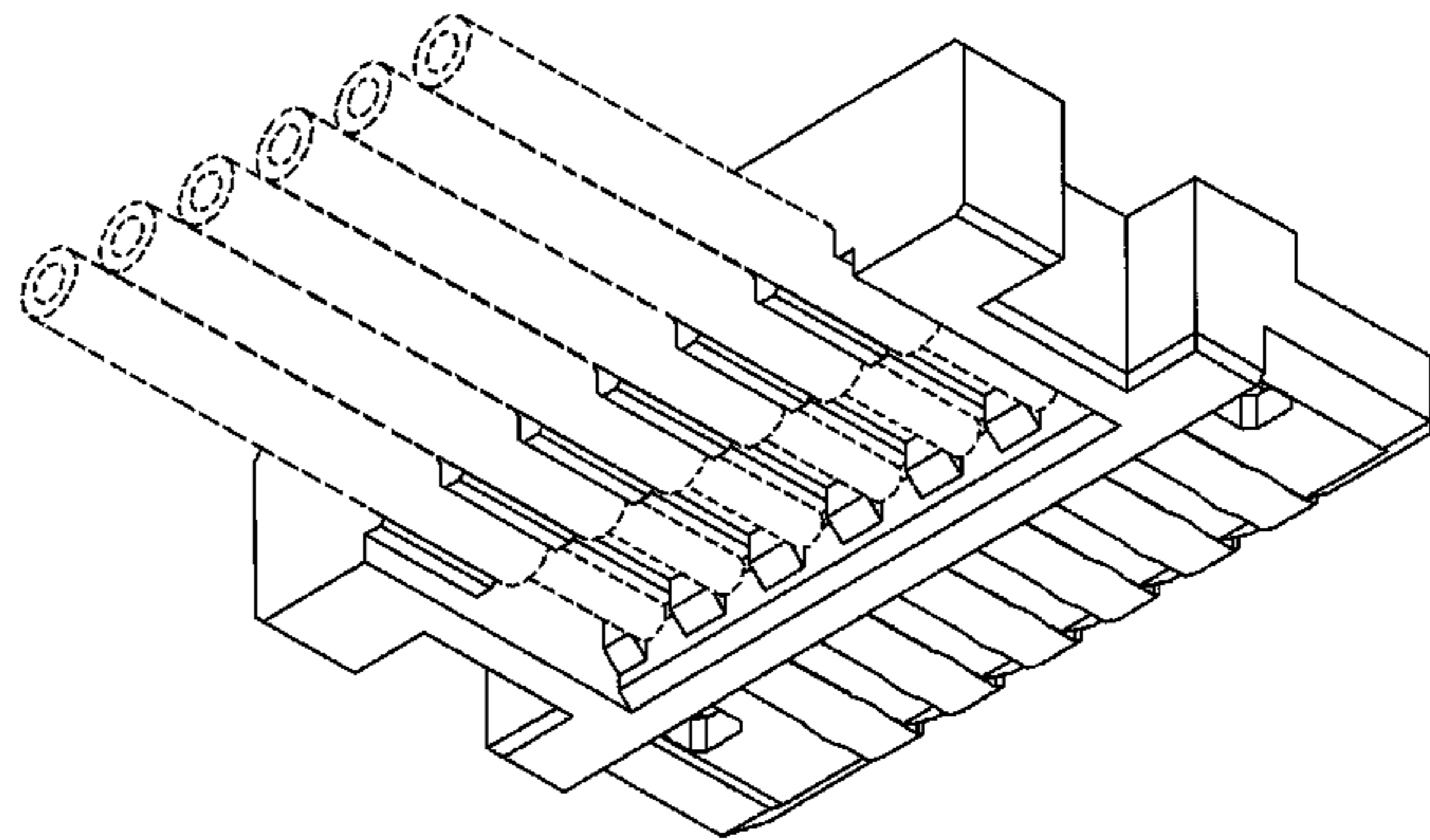
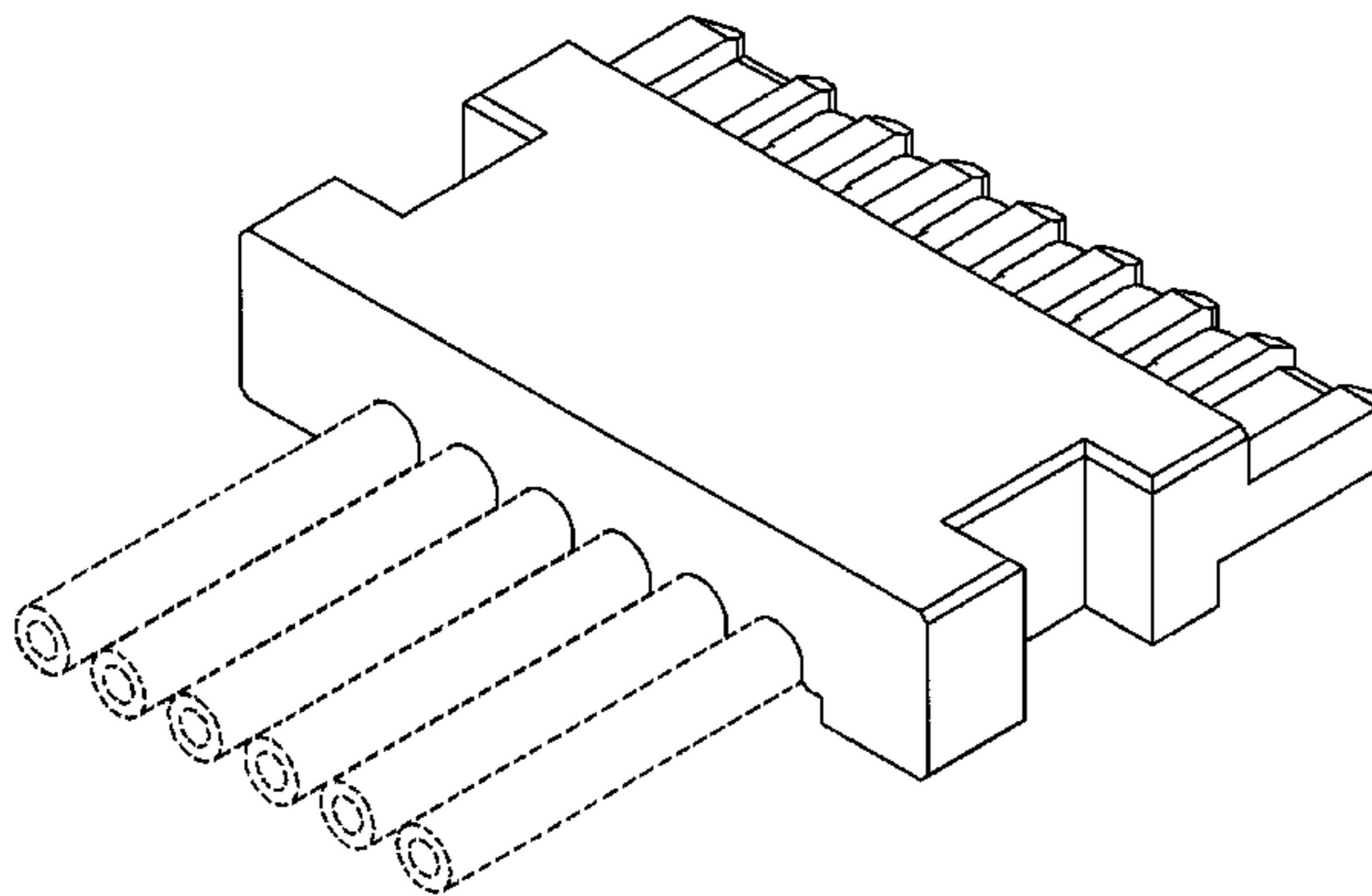
FIG. 7 is a right side elevational view thereof;

FIG. 8 is a rear, top, and left side perspective view thereof in use condition; and,

FIG. 9 is a rear, bottom, and left side perspective view thereof in use condition.

The broken line in the figure drawing views is included for the purpose of illustrating environment and forms no part of the claimed design.

1 Claim, 9 Drawing Sheets



(56)

References Cited

OTHER PUBLICATIONS

U.S. Appl. No. 13/416,212, filed Mar. 9, 2012, 2012-0238125,
Yoshisuji, et al.

U.S. Appl. No. 13/595,147, filed Aug. 27, 2012, Yoshisuji, et al.

U.S. Appl. No. 29/447,042, filed Feb. 28, 2013, Yoshisuji.

U.S. Appl. No. 29/454,268, filed May 8, 2013, Yoshisuji.

* cited by examiner

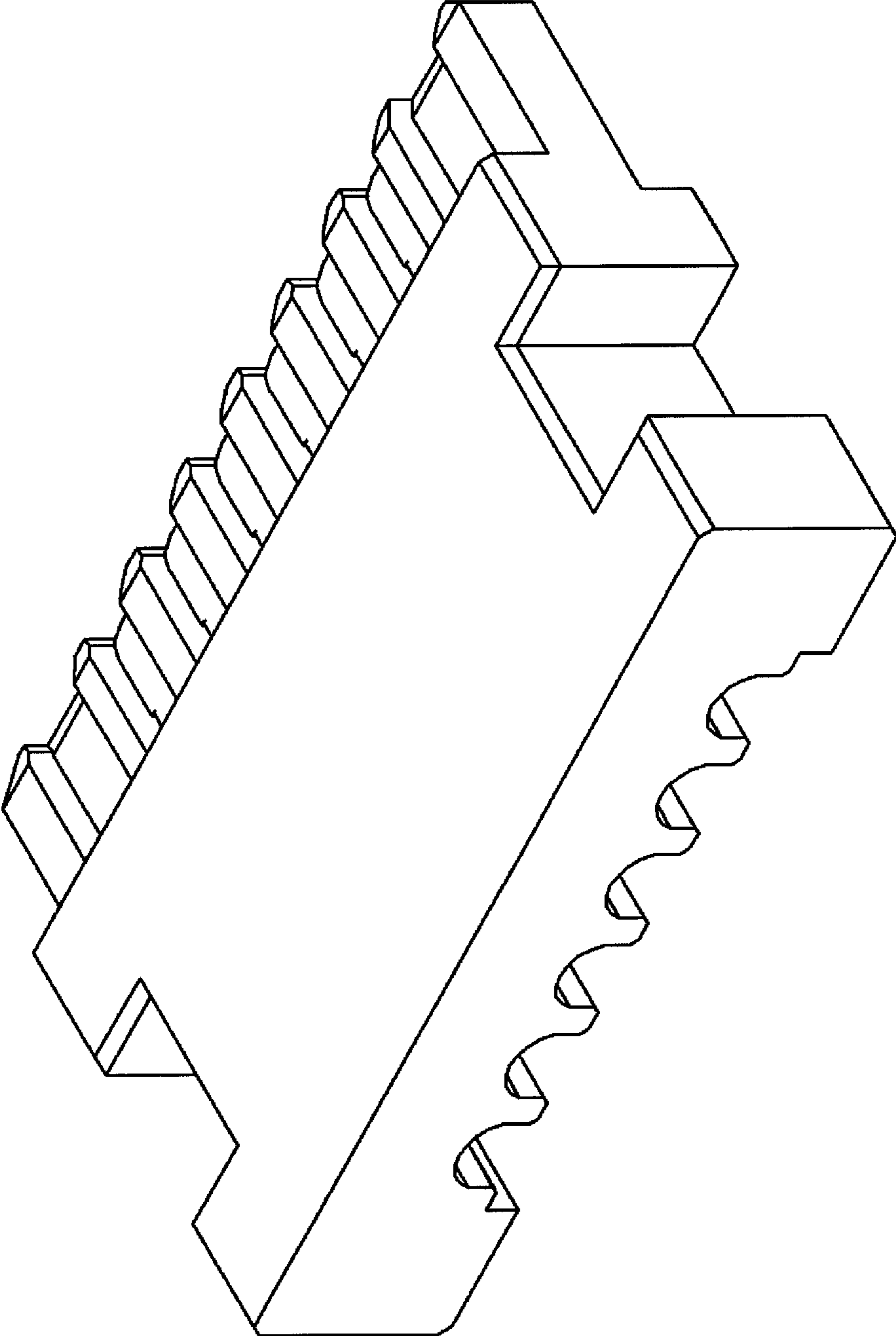


FIG.1

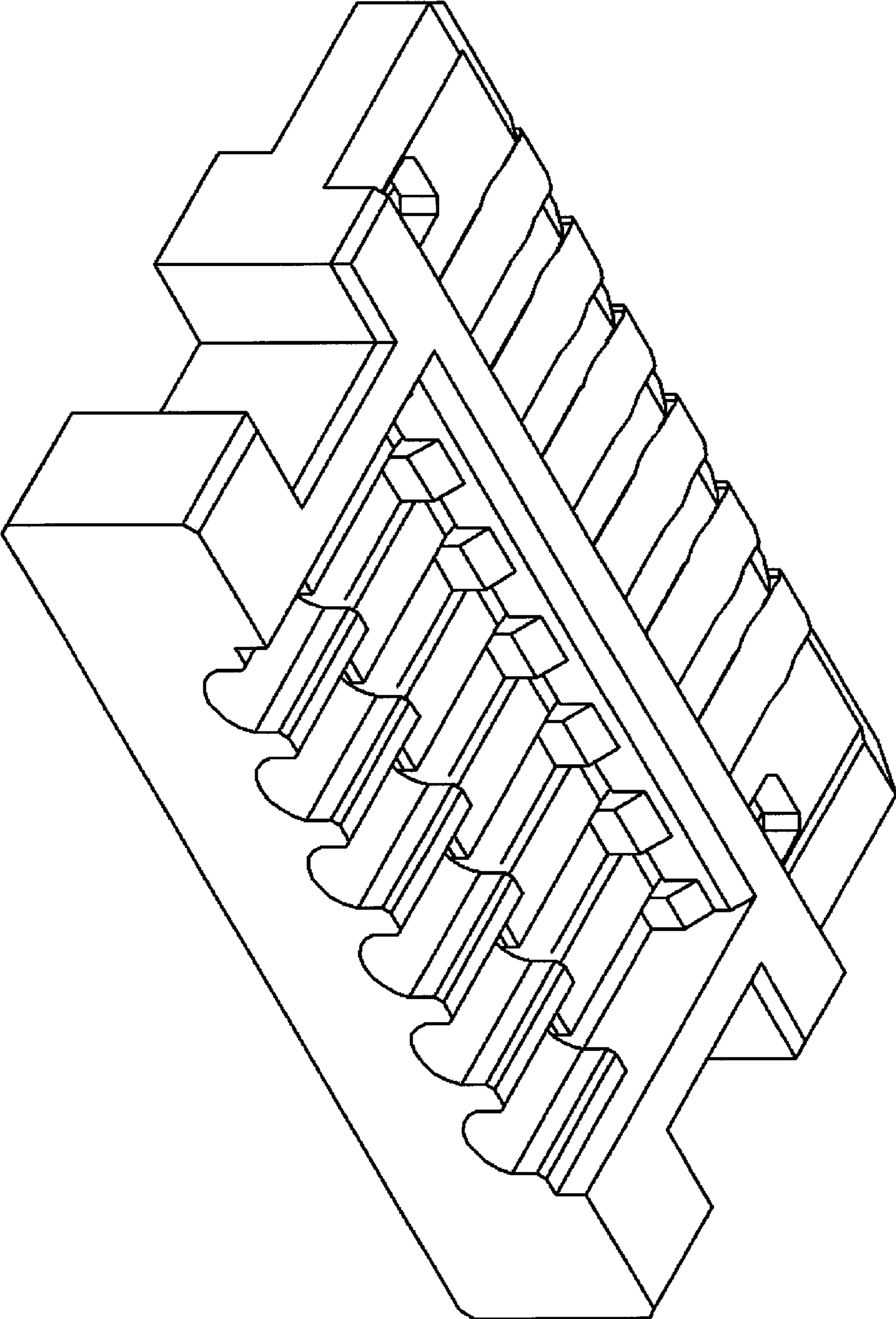


FIG.2

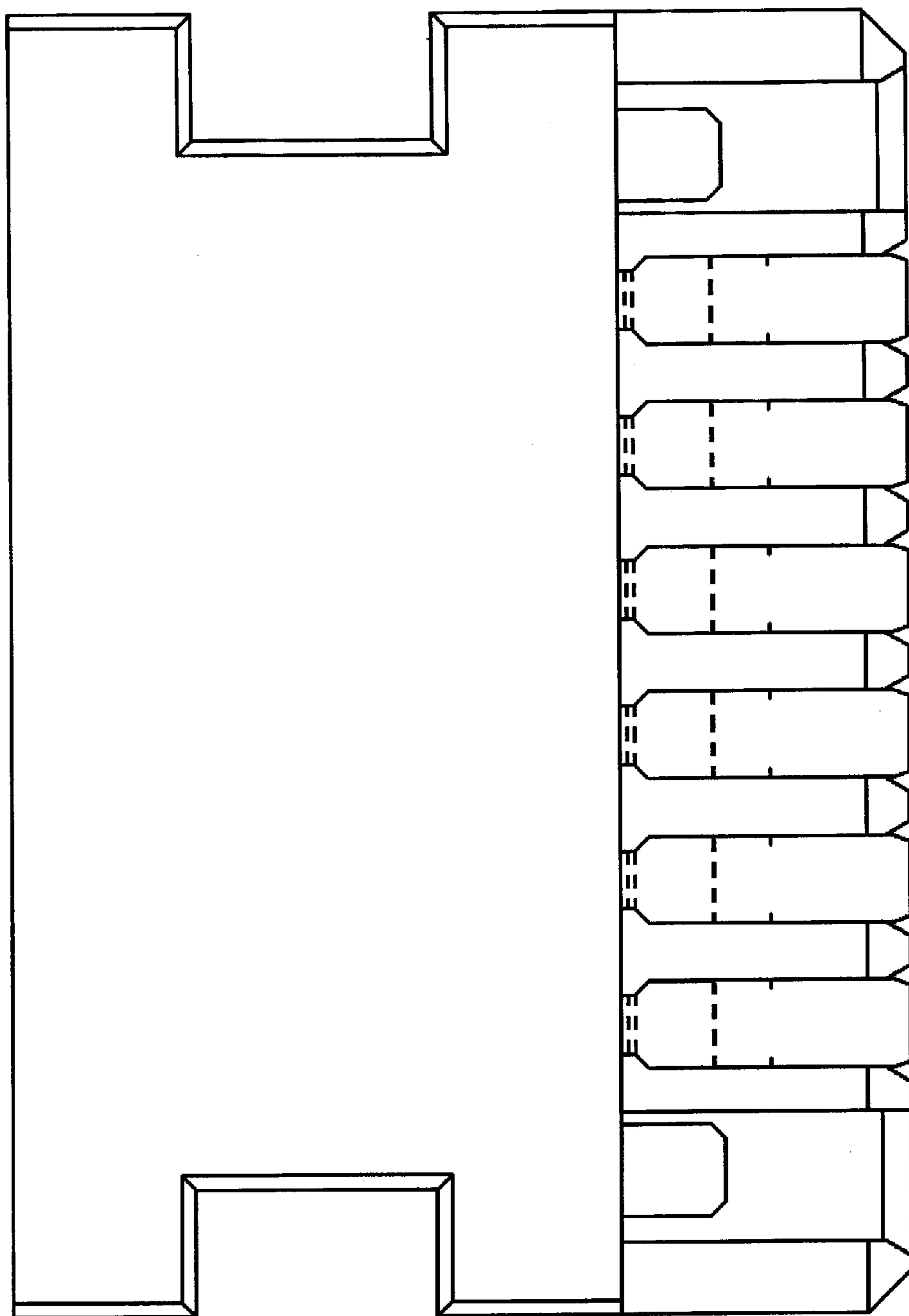


FIG.3

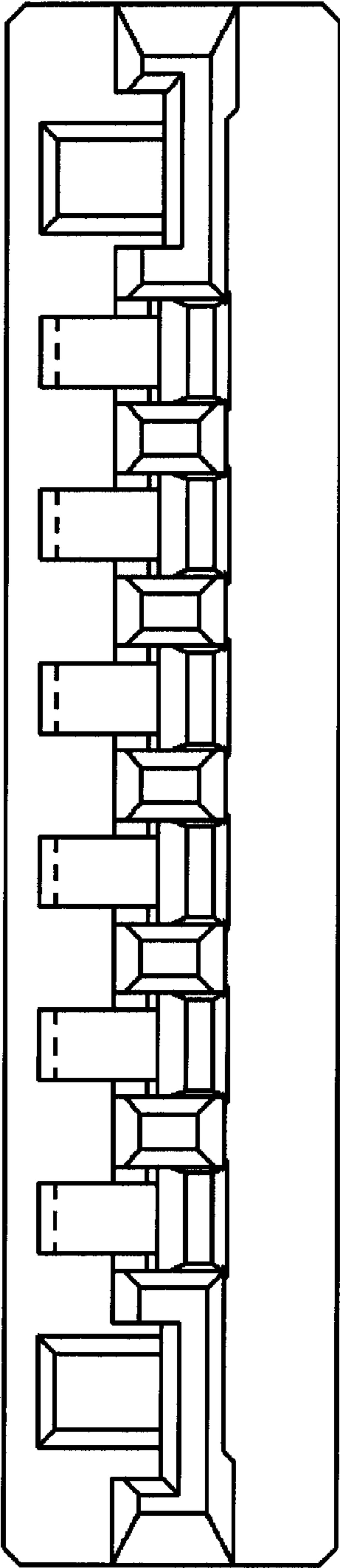


FIG.4

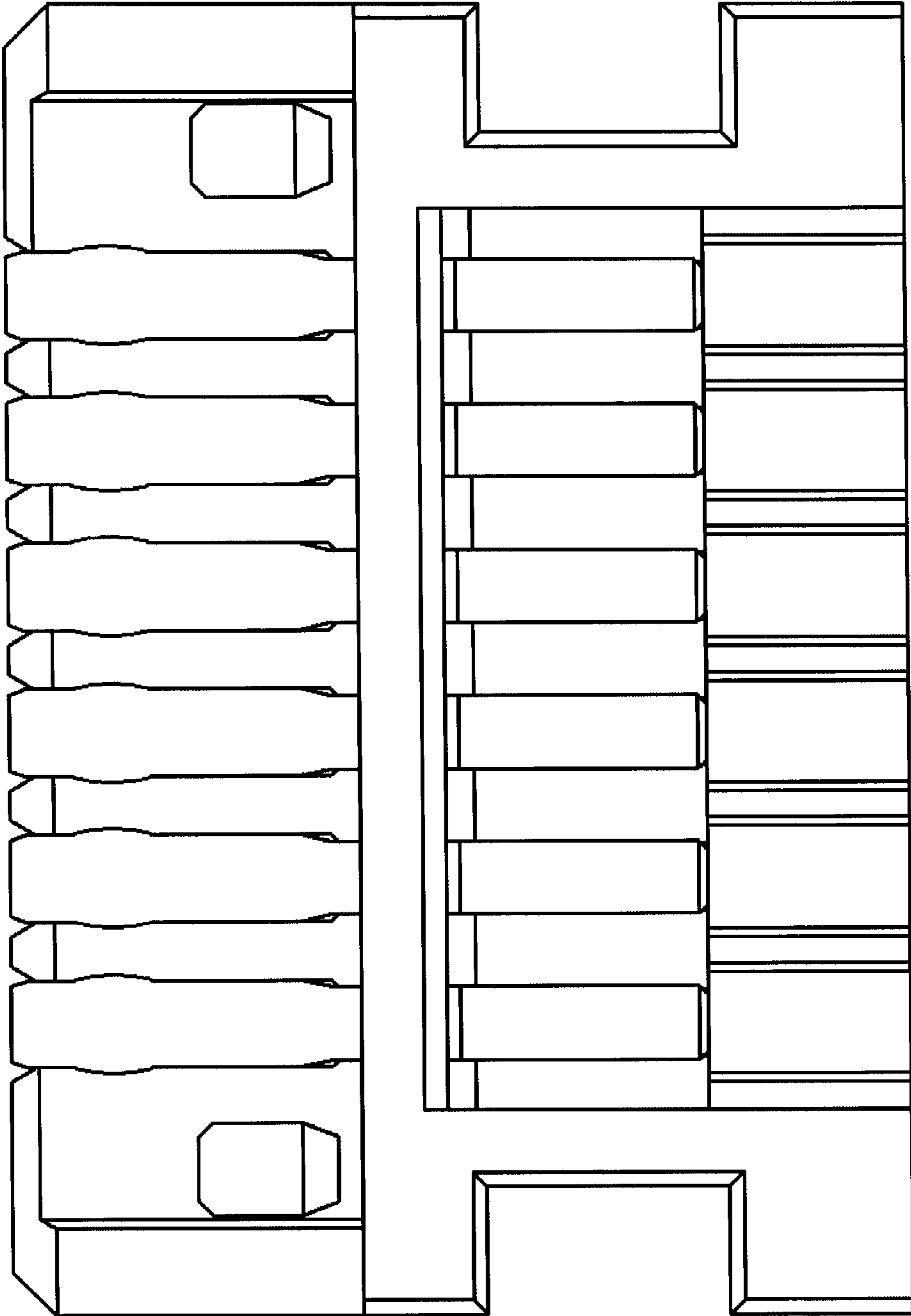


FIG.5

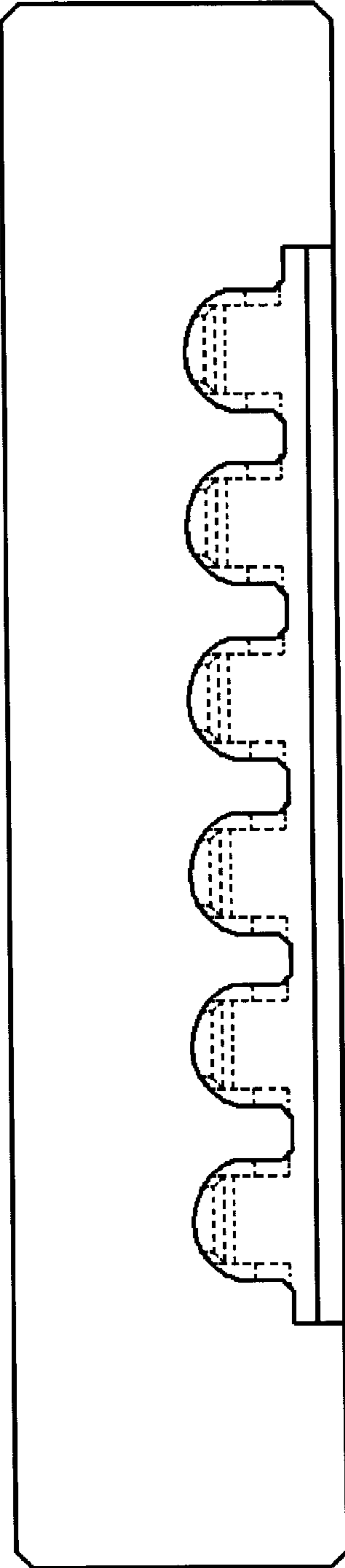


FIG.6

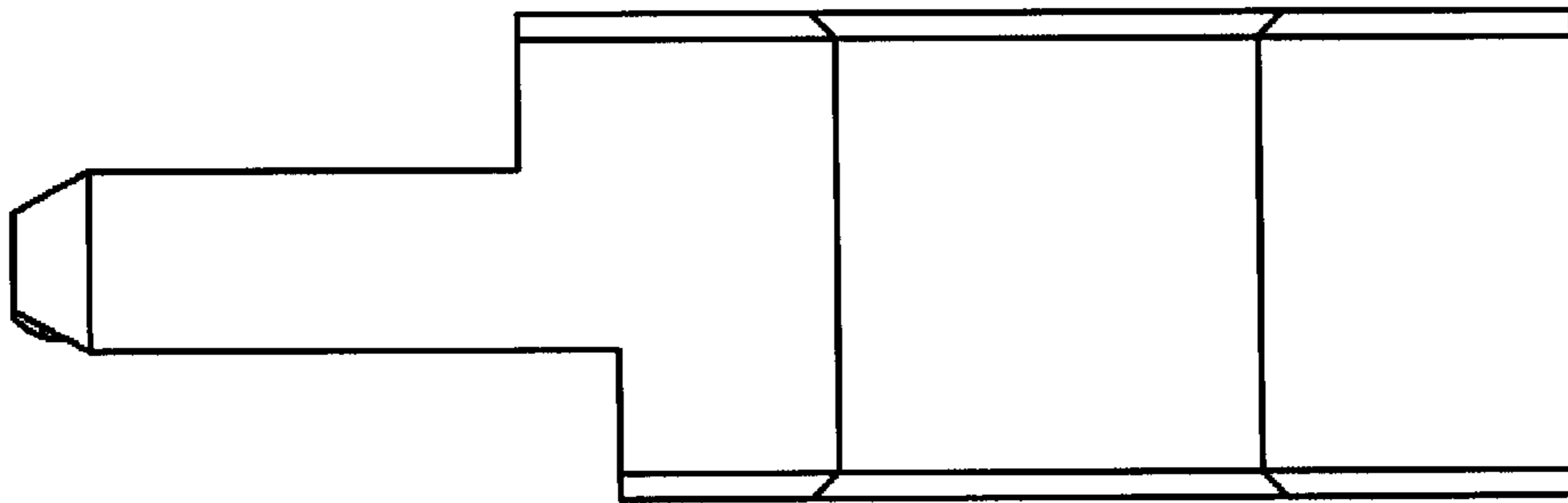


FIG.7

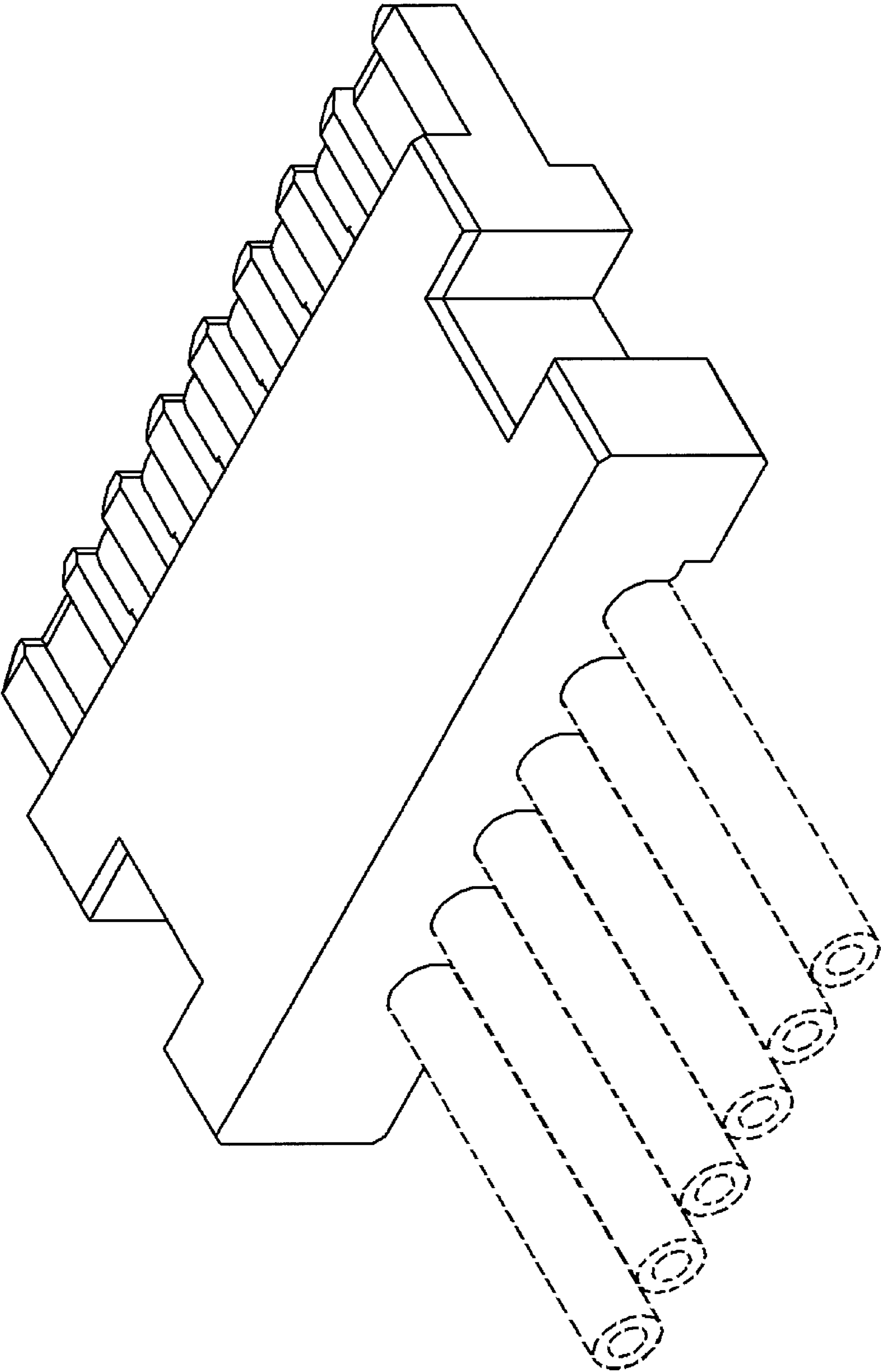


FIG. 8

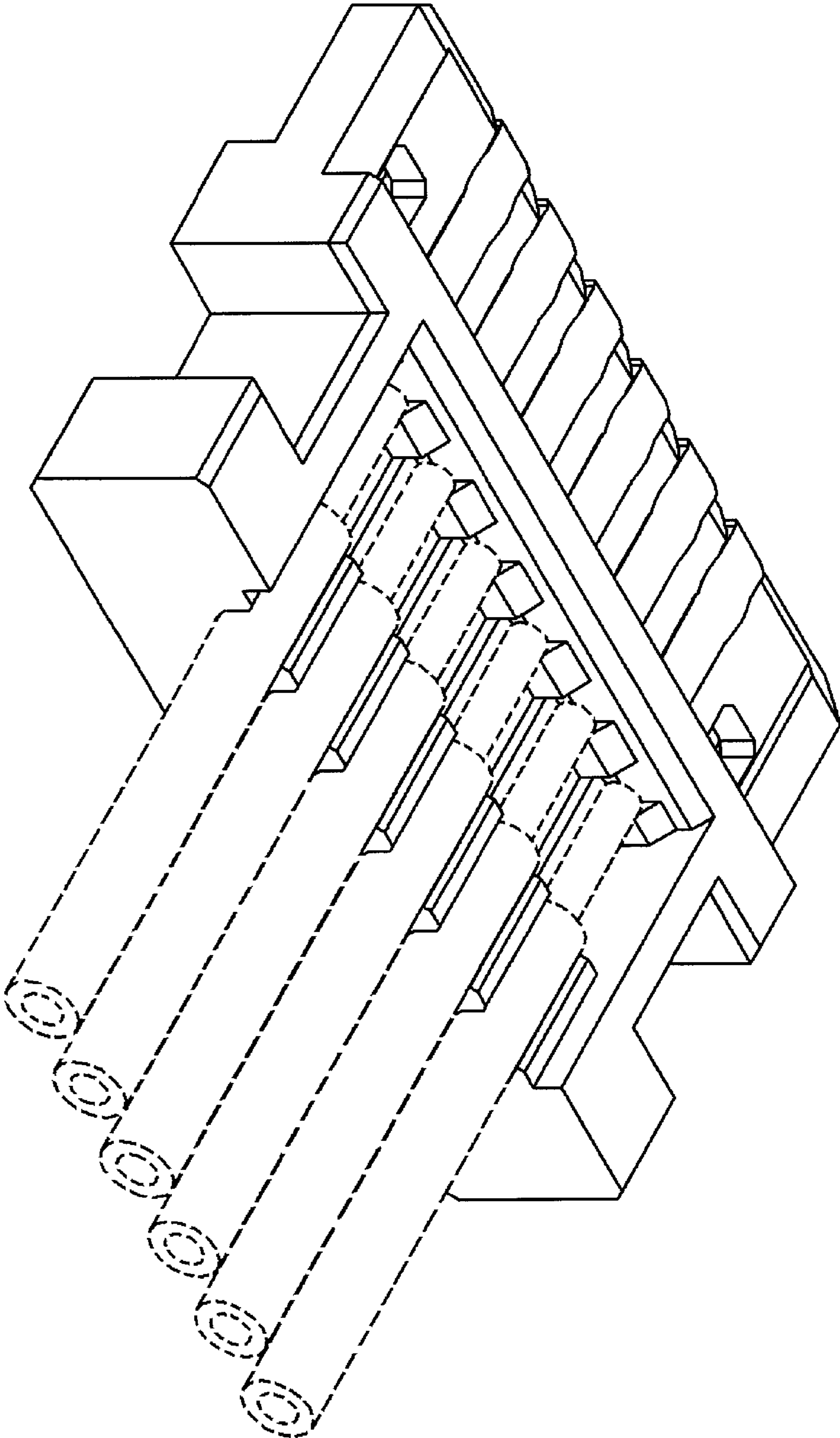


FIG.9