



US00D700581S

(12) **United States Design Patent**
Shimamoto et al.

(10) **Patent No.:** **US D700,581 S**
(45) **Date of Patent:** **** Mar. 4, 2014**

(54) **HEAT MEDIUM RELAY UNIT**

(75) Inventors: **Daisuke Shimamoto**, Chiyoda-ku (JP);
Osamu Morimoto, Chiyoda-ku (JP);
Takayoshi Honda, Chiyoda-ku (JP);
Koji Azuma, Chiyoda-ku (JP); **Koji Nishioka**, Chiyoda-ku (JP)

(73) Assignee: **Mitsubishi Electric Corporation**,
Tokyo (JP)

(**) Term: **14 Years**

(21) Appl. No.: **29/425,941**

(22) Filed: **Jun. 28, 2012**

(30) **Foreign Application Priority Data**

Apr. 11, 2012 (JP) 2012-008484
Apr. 11, 2012 (JP) 2012-008485
Apr. 11, 2012 (JP) 2012-008486
Apr. 11, 2012 (JP) 2012-008487

(51) **LOC (10) Cl.** **13-03**

(52) **U.S. Cl.**
USPC **D13/147**

(58) **Field of Classification Search**
USPC D13/146-147, 154, 184; 439/532, 536,
439/540.1, 541.5, 613, 614, 884, 894, 954,
439/559

See application file for complete search history.

(56) **References Cited**

U.S. PATENT DOCUMENTS

D389,801 S * 1/1998 Foye D13/147
D396,695 S * 8/1998 Shen D13/147
D405,092 S * 2/1999 Ohshima et al. D14/239
D412,489 S * 8/1999 Middlehurst et al. D13/147
D421,965 S * 3/2000 Johnston et al. D13/147

D460,418 S * 7/2002 Han D13/147
D607,413 S * 1/2010 Egan et al. D13/151
D607,414 S * 1/2010 Egan et al. D13/151
D613,251 S * 4/2010 Walker et al. D13/147
D639,249 S * 6/2011 Walker et al. D13/154

* cited by examiner

Primary Examiner — Thomas Johannes

(74) *Attorney, Agent, or Firm* — Sughrue Mion, PLLC

(57) **CLAIM**

The ornamental design for a heat medium relay unit, as shown and described.

DESCRIPTION

FIG. 1 is a front, top and right side perspective view of a heat medium relay unit, showing a first embodiment of our new design;

FIG. 2 is a rear, top and left side perspective view thereof;

FIG. 3 is a front elevational view thereof;

FIG. 4 is a rear elevational view thereof;

FIG. 5 is a left side elevational view thereof;

FIG. 6 is a right side elevational view thereof;

FIG. 7 is a top plan view thereof;

FIG. 8 is a bottom plan view thereof;

FIG. 9 is a front, top and right side perspective view of a heat medium relay unit, showing a second embodiment of our design;

FIG. 10 is a rear, top and left side perspective view thereof;

FIG. 11 is a front elevational view thereof;

FIG. 12 is a rear elevational view thereof;

FIG. 13 is a left side elevational view thereof;

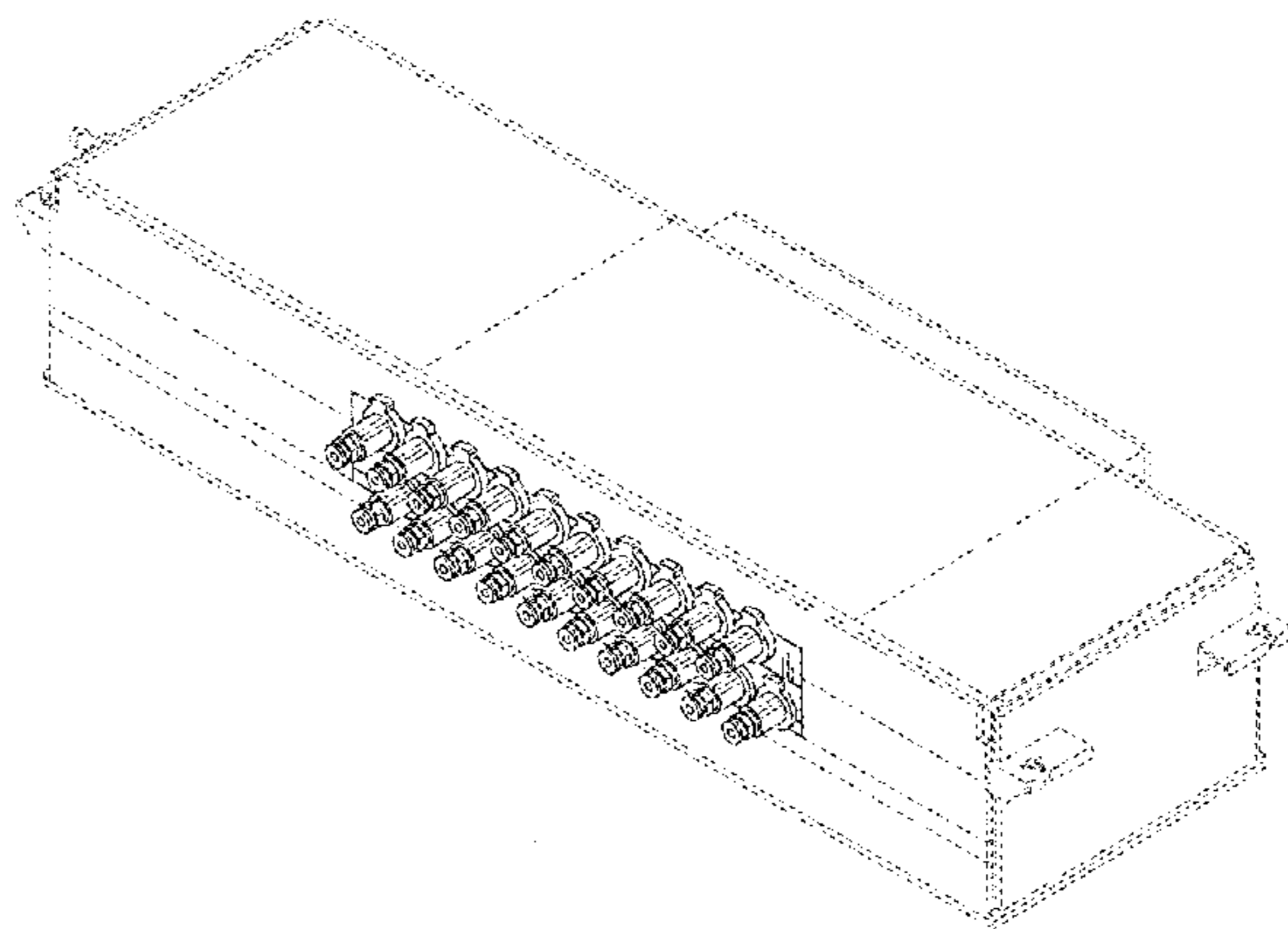
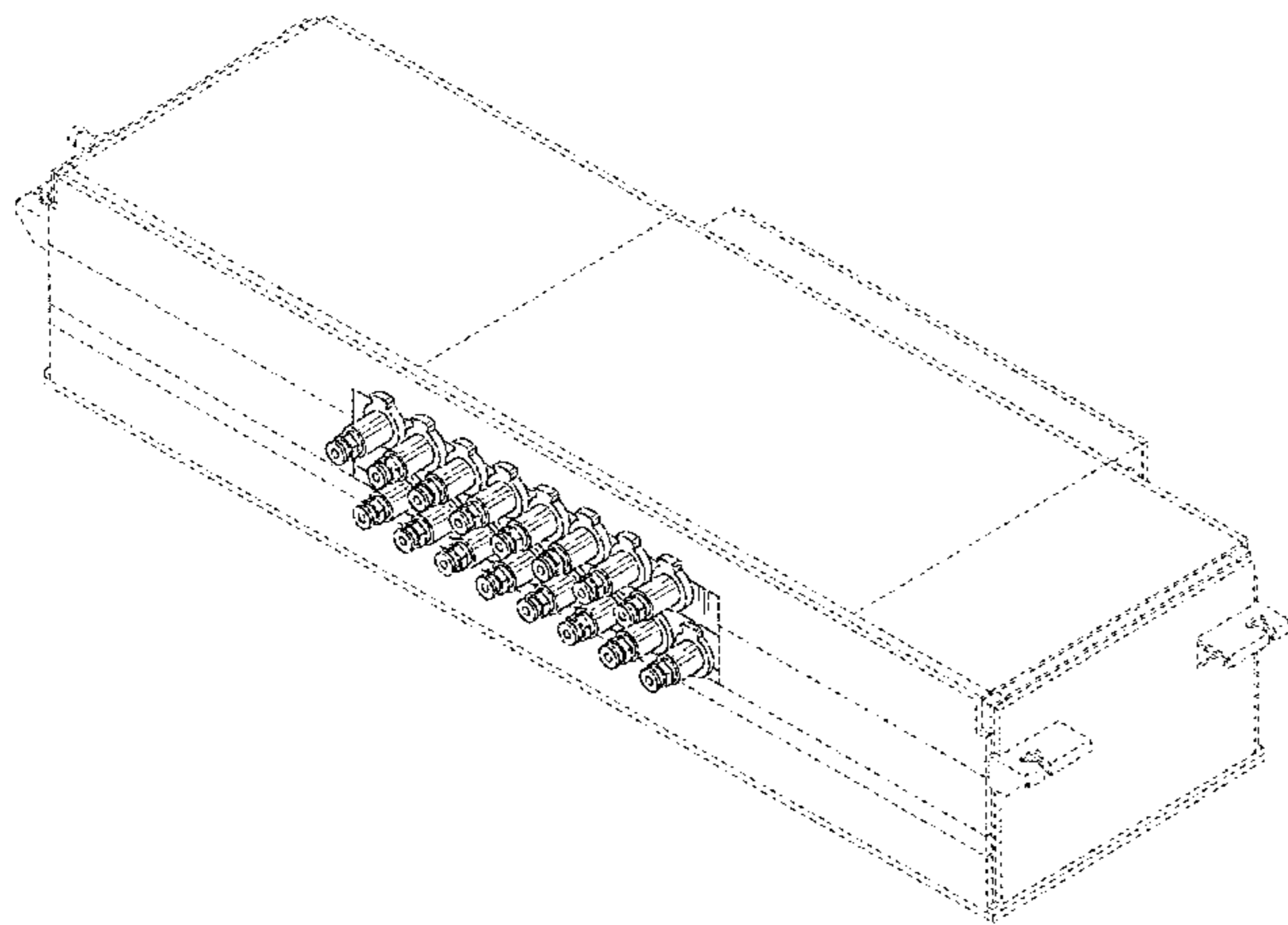
FIG. 14 is a right side elevational view thereof;

FIG. 15 is a top plan view thereof; and,

FIG. 16 is a bottom plan view thereof.

The broken lines in all views show unclaimed subject matter only and form no part of the claimed design.

1 Claim, 12 Drawing Sheets



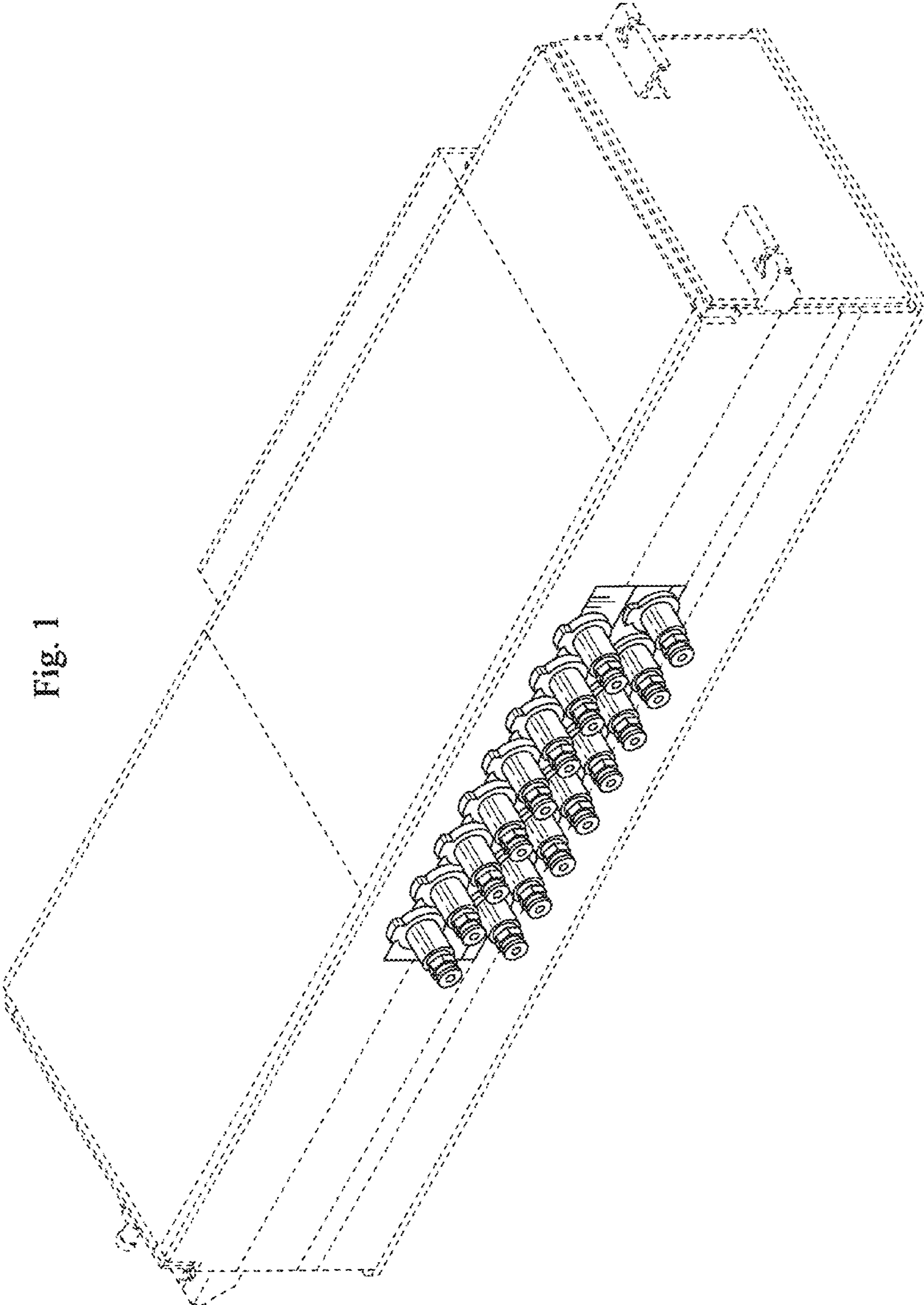


Fig. 1

Fig. 2

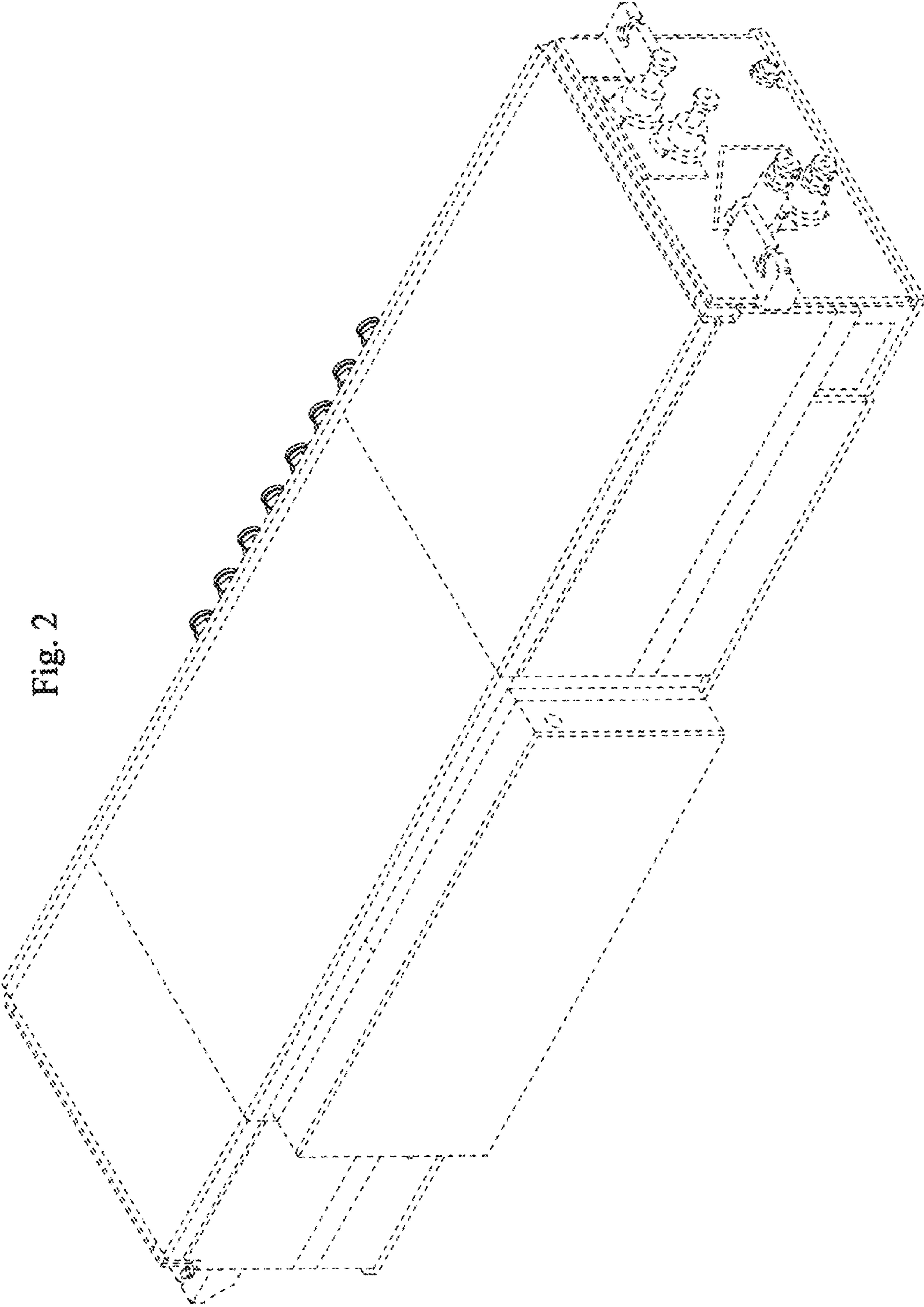


Fig. 3

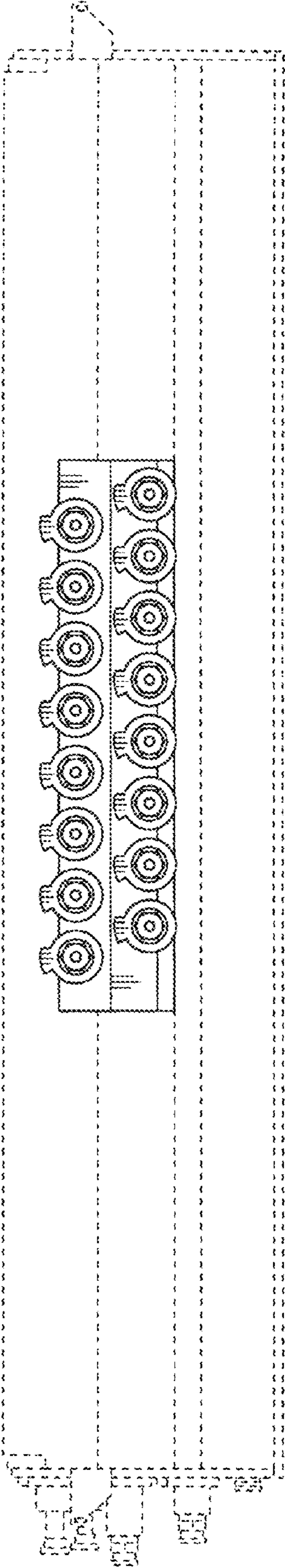


Fig. 4

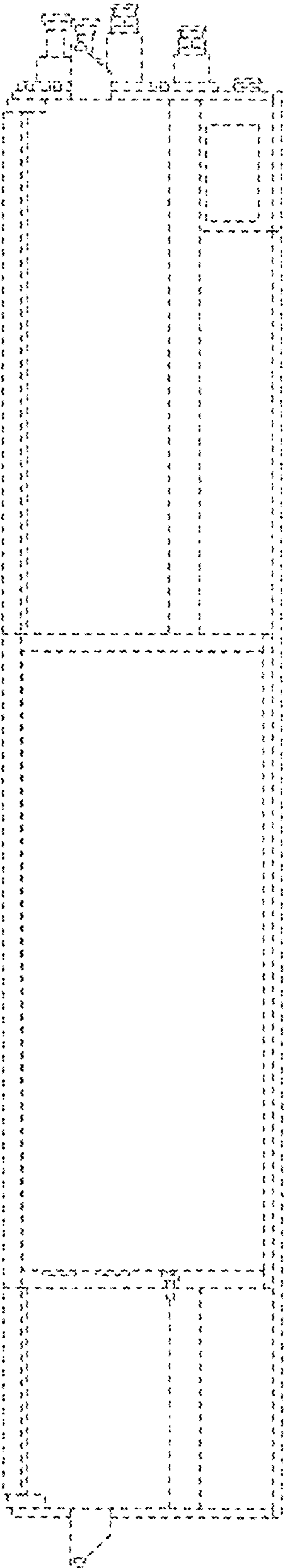


Fig. 6

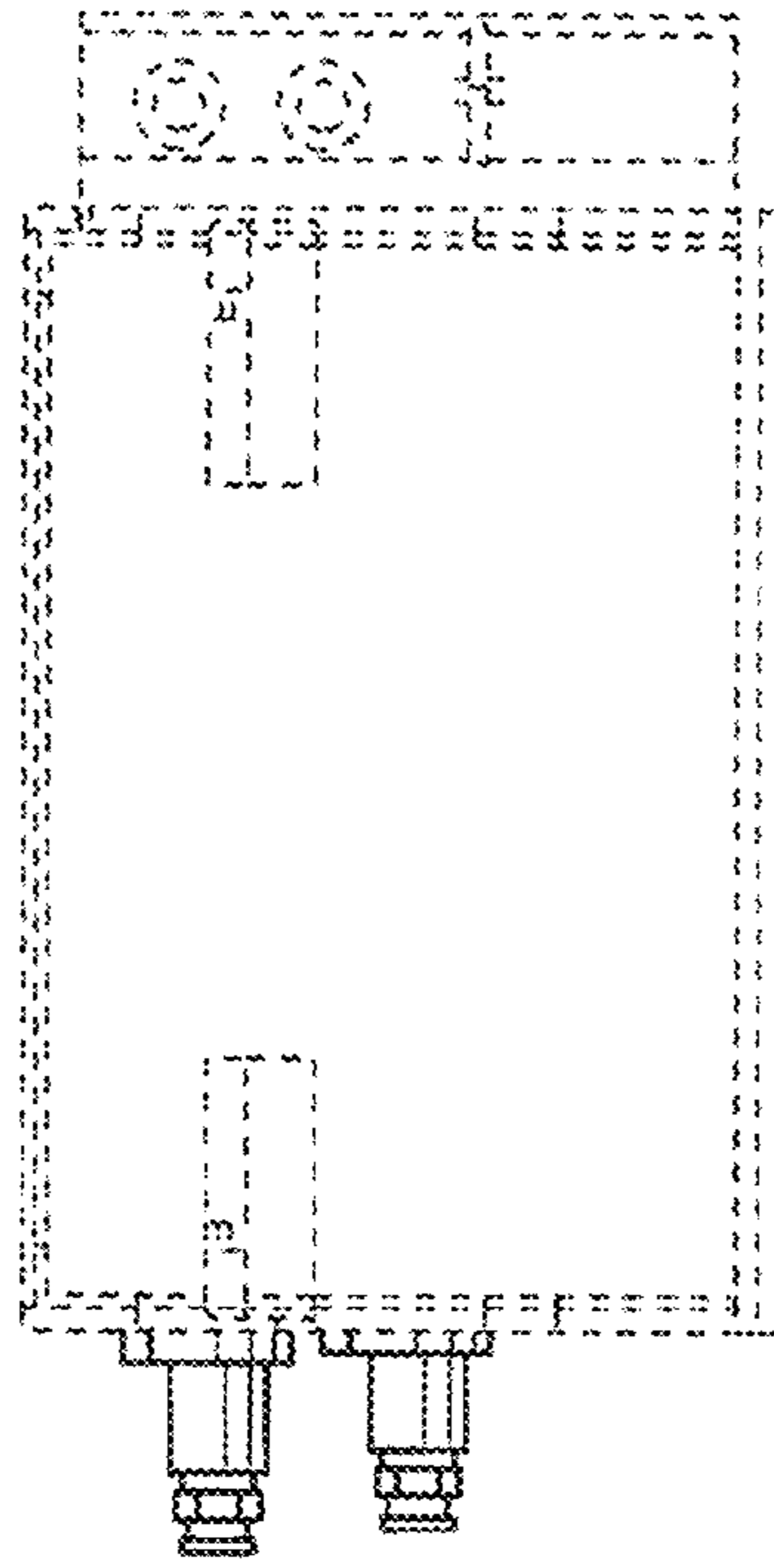


Fig. 5

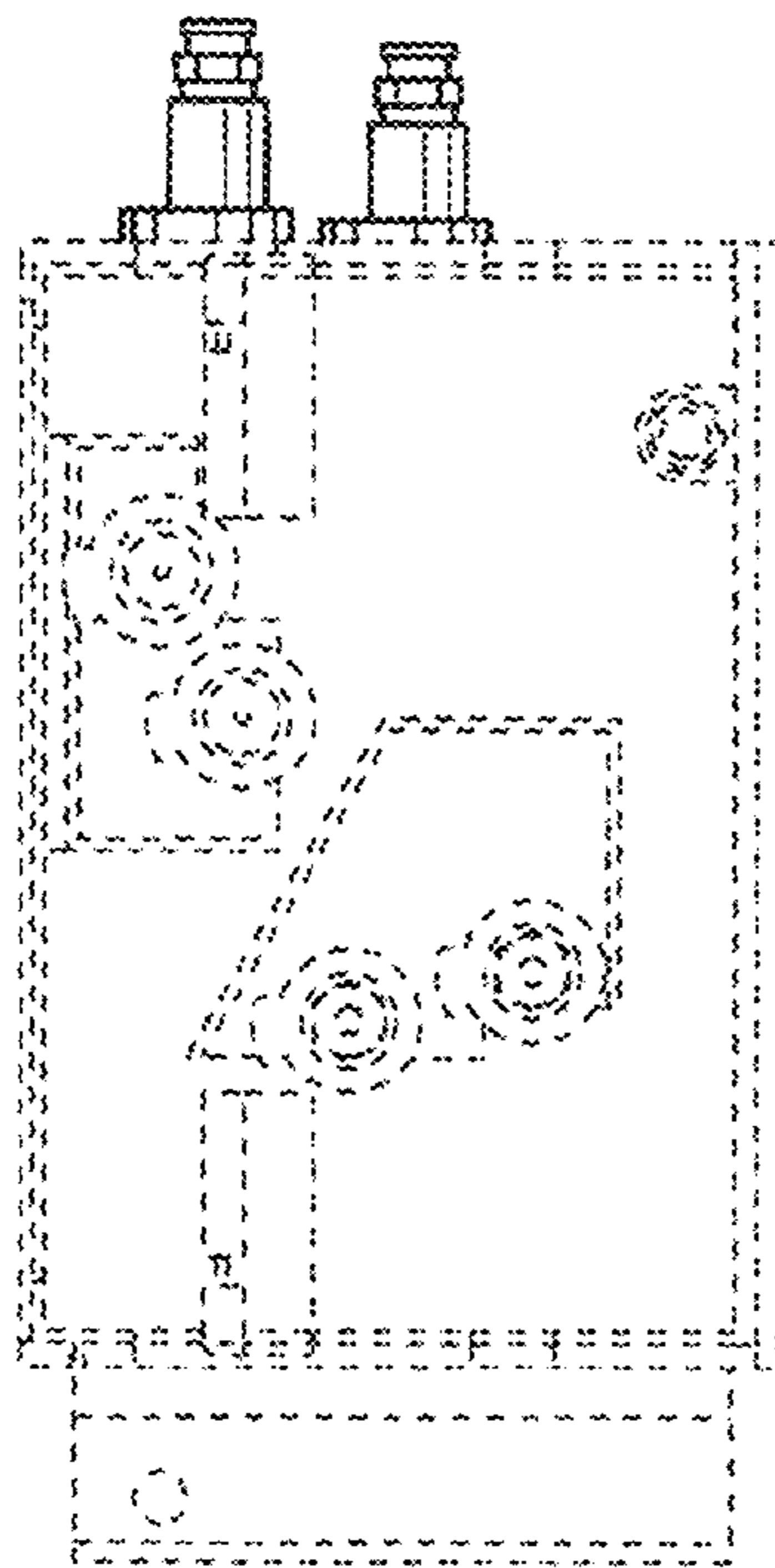


Fig. 7

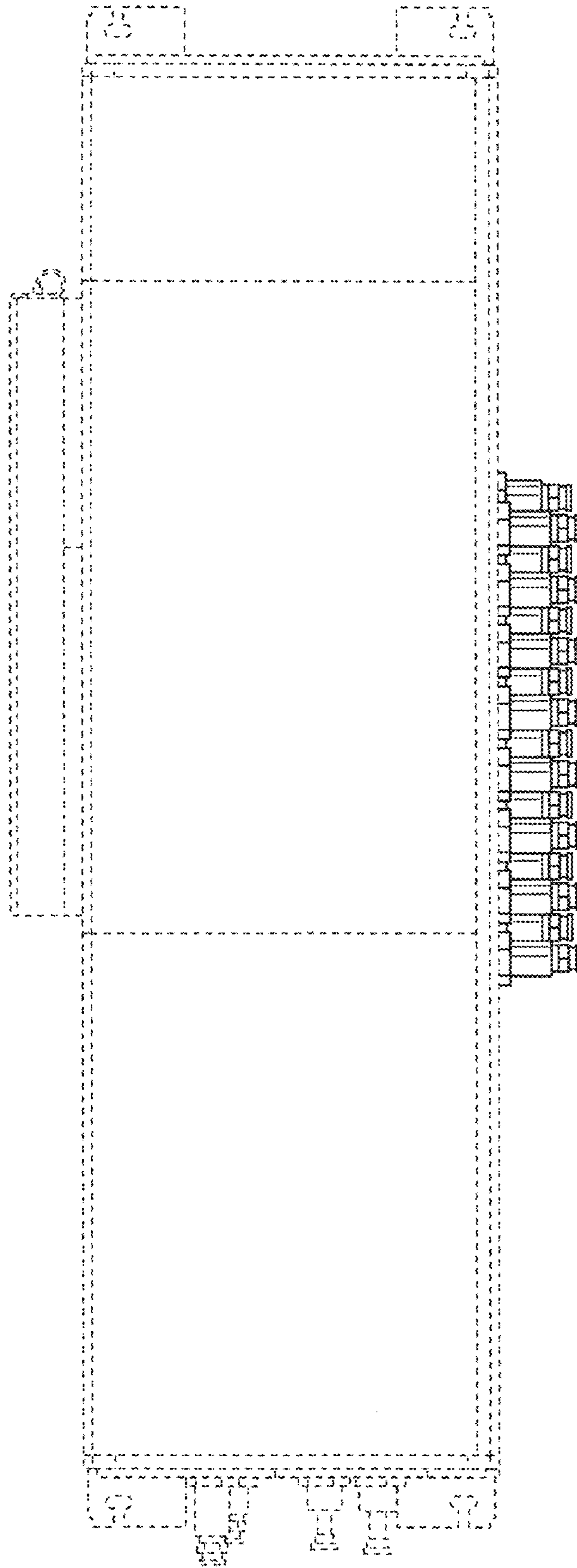


Fig. 8

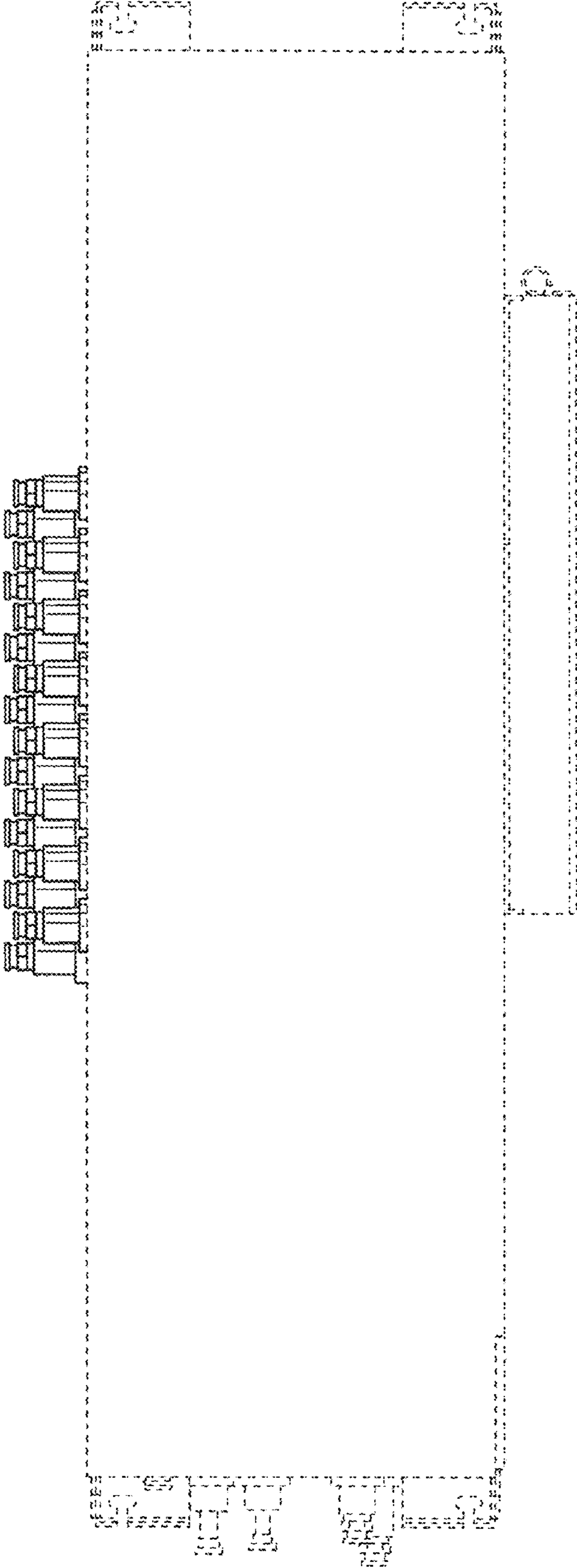


Fig. 9

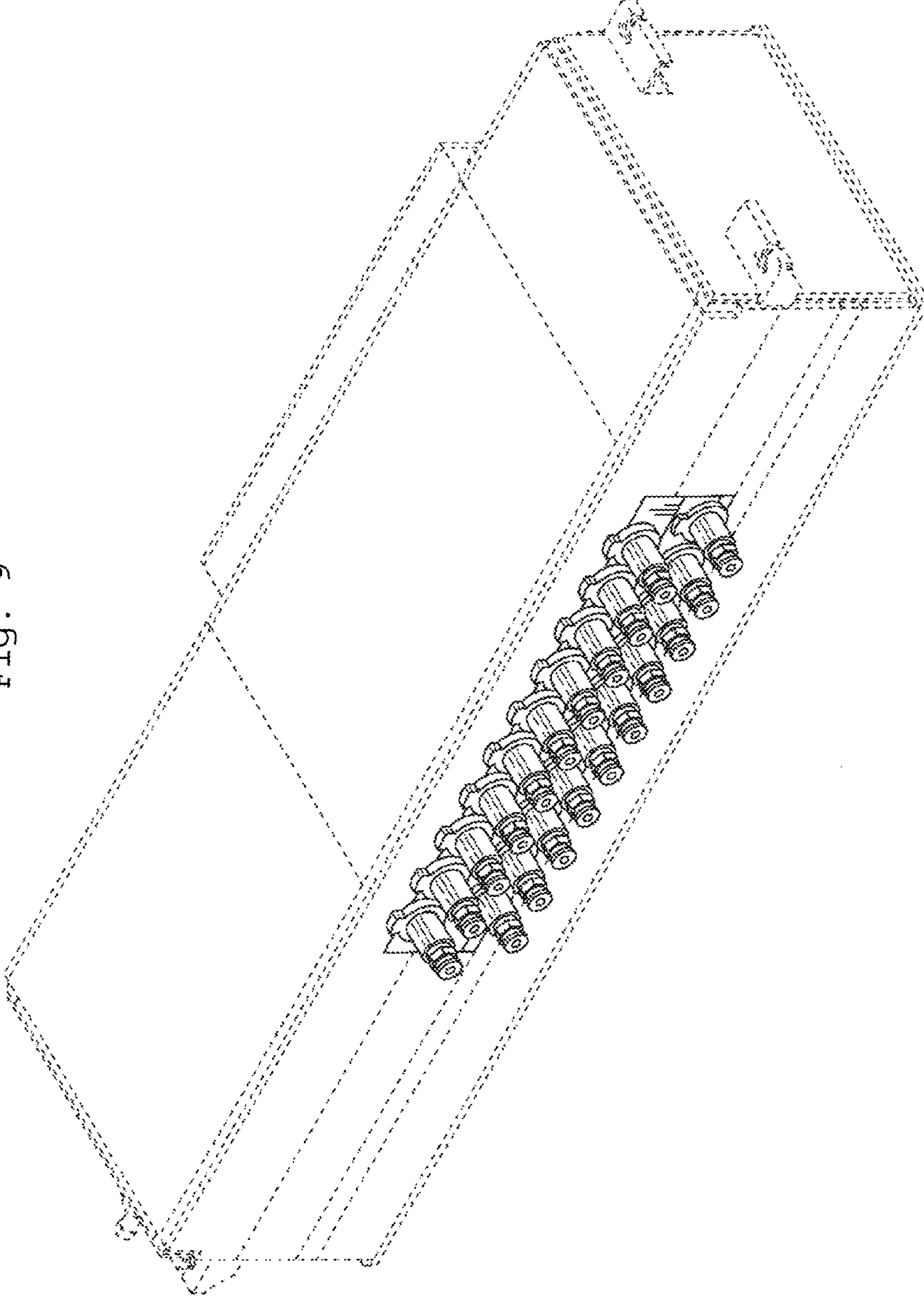


Fig. 10

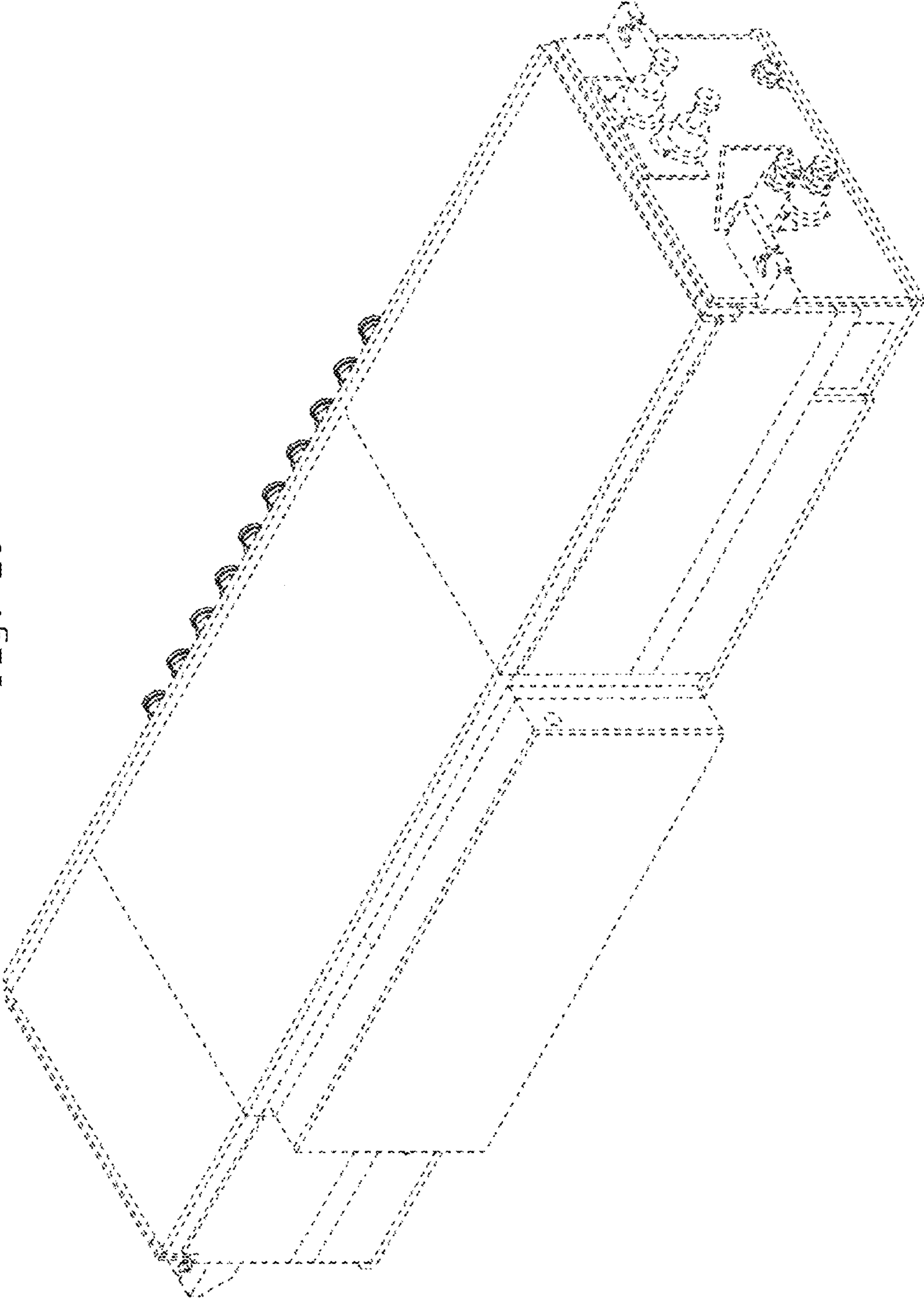


Fig. 11

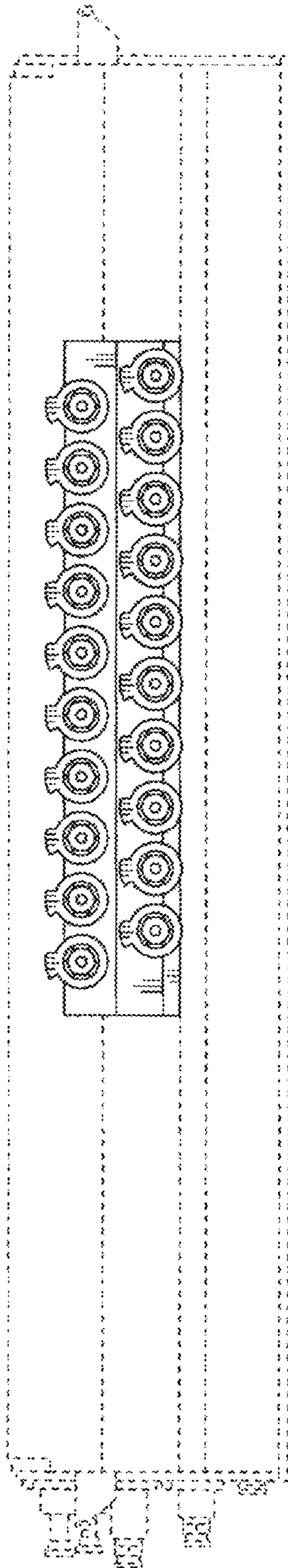


Fig. 12

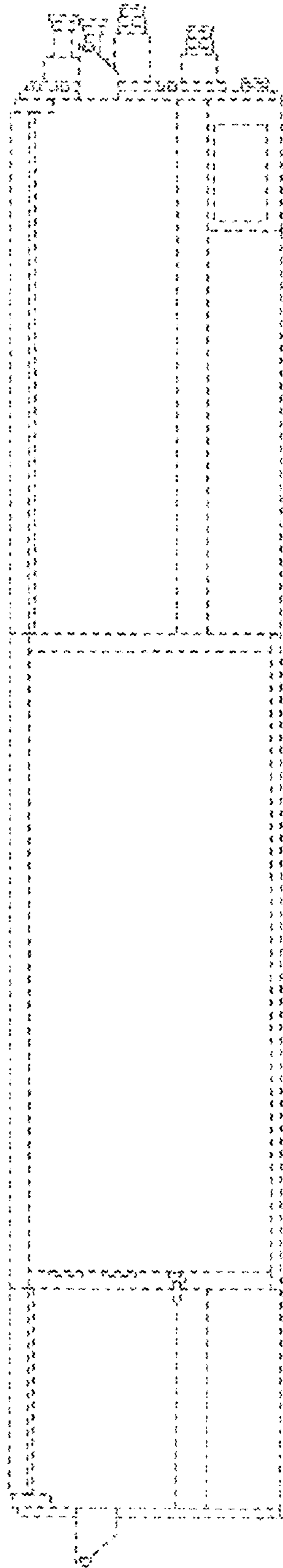


Fig. 14

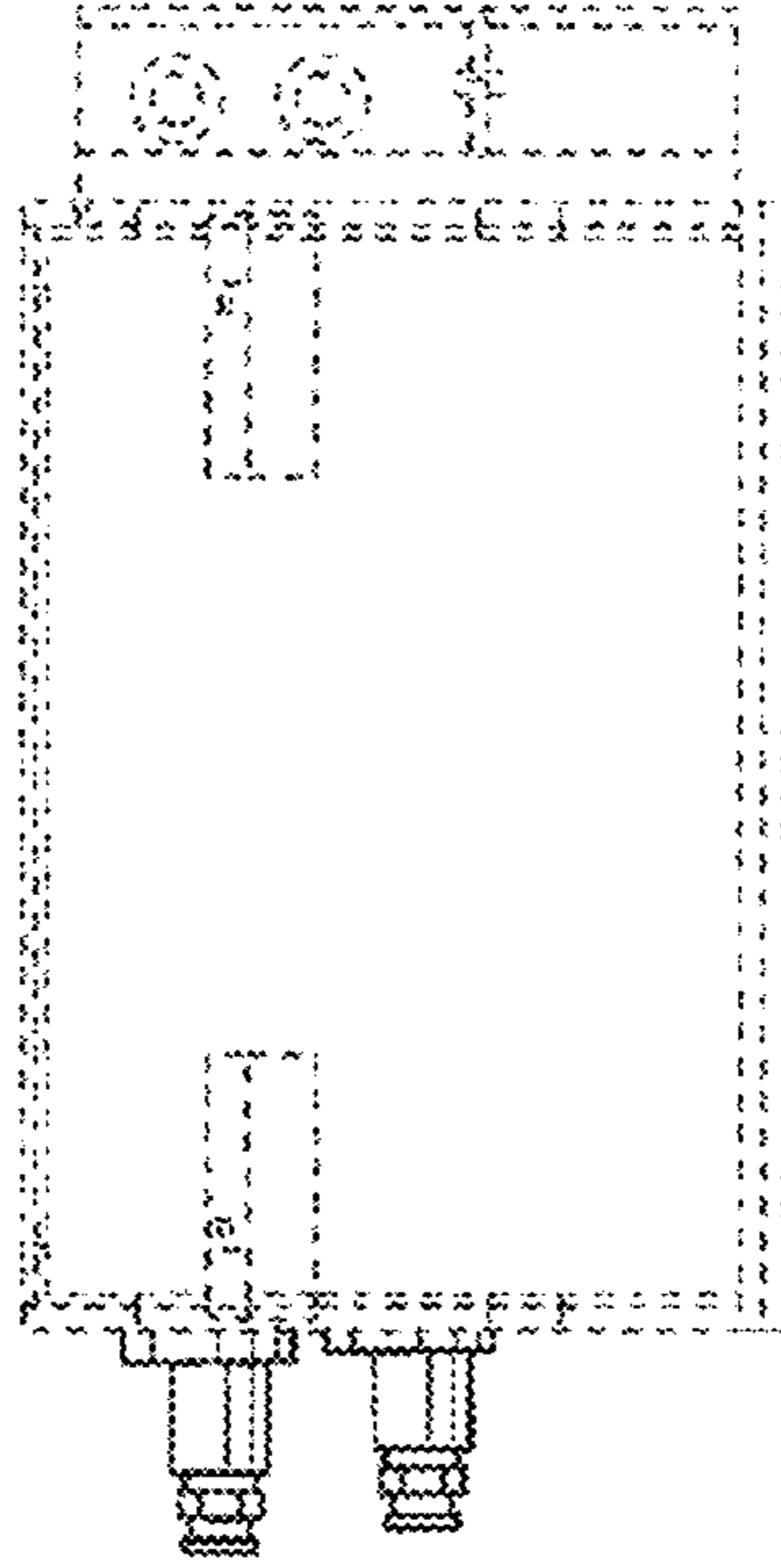


Fig. 13

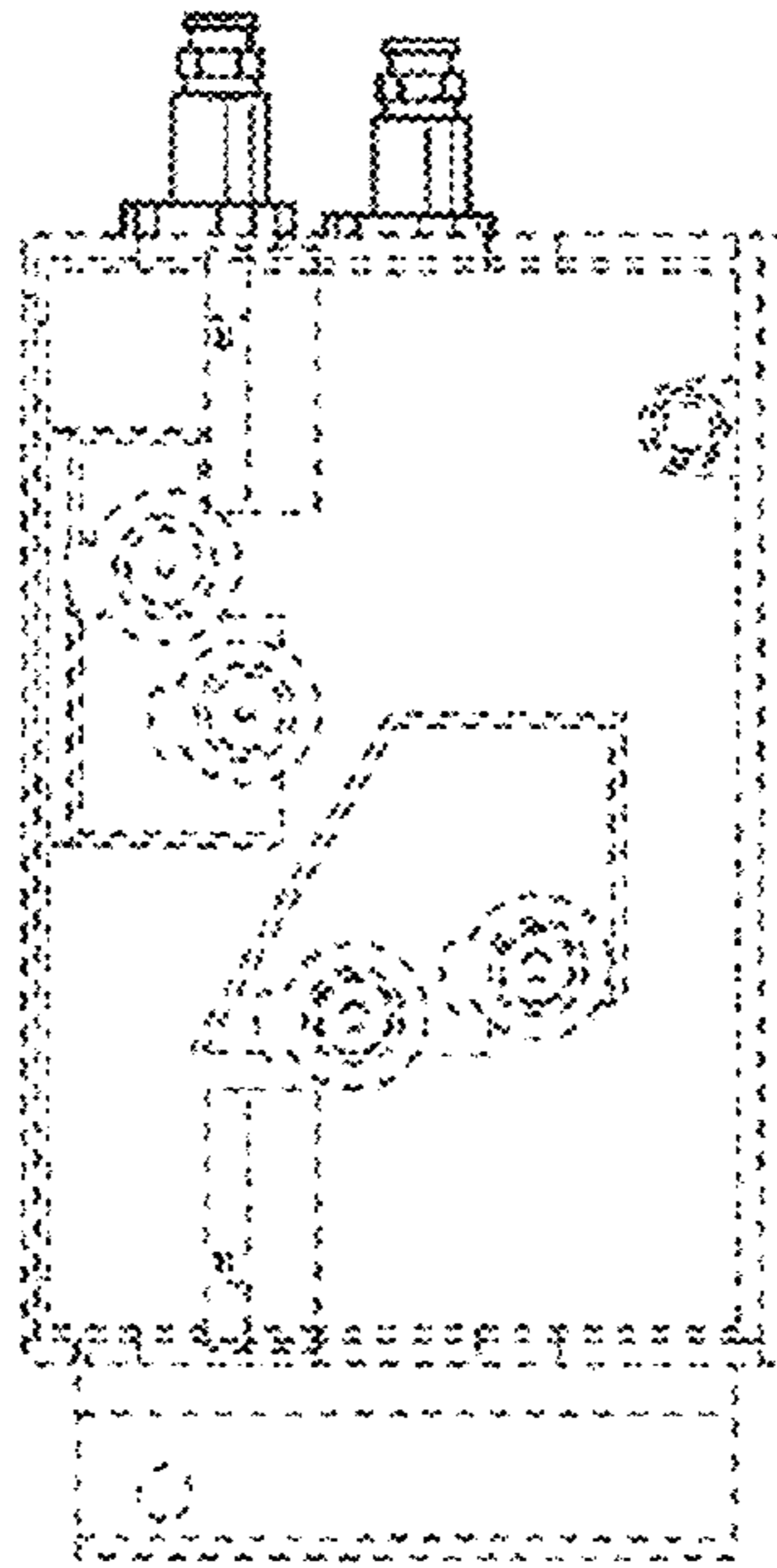


Fig. 15

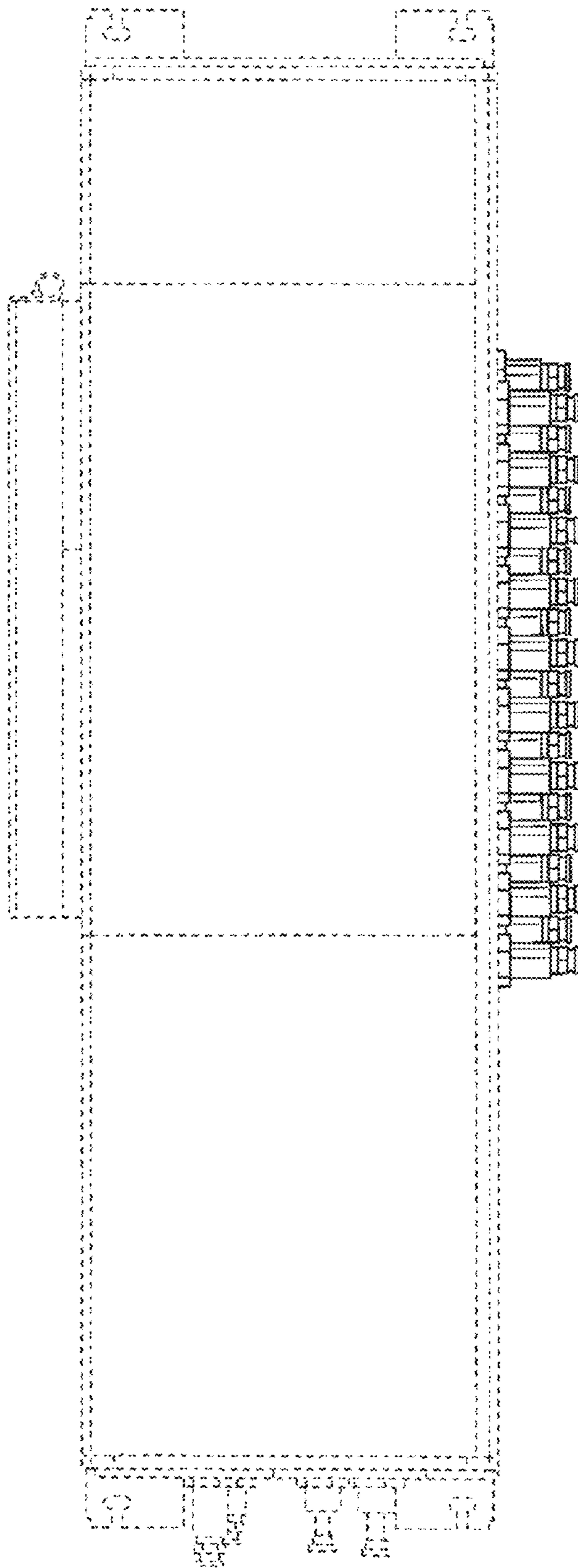


Fig. 16

