



US00D700579S

(12) **United States Design Patent**
Mobbs

(10) **Patent No.:** **US D700,579 S**
(45) **Date of Patent:** **** Mar. 4, 2014**

(54) **MULTI-SOCKET ELECTRICAL OUTLET**

(71) Applicant: **Embertec Pty Ltd**, Madison, WI (US)

(72) Inventor: **Kevin Mobbs**, Dulwich (AU)

(73) Assignee: **Embertec Pty Ltd** (AU)

(**) Term: **14 Years**

(21) Appl. No.: **29/432,935**

(22) Filed: **Sep. 24, 2012**

(51) **LOC (10) Cl.** **13-03**

(52) **U.S. Cl.**
USPC **D13/137.1**

(58) **Field of Classification Search**
USPC D13/152, 164, 184, 137.1, 139.1, 153,
D13/137.2, 133, 137.4, 139.7, 130, 128,
D13/132, 138.2, 139.4, 139.8, 139.6, 123,
D13/160, 107; 361/683; D9/416, 423
See application file for complete search history.

(56) **References Cited**

U.S. PATENT DOCUMENTS

D364,379 S * 11/1995 Pogue et al. D13/160
D469,402 S * 1/2003 Bukiri D13/137.1

D568,814 S * 5/2008 Hung D13/123
D598,012 S * 8/2009 Kokkonen et al. D14/240
D676,382 S * 2/2013 McSweyn D13/108

* cited by examiner

Primary Examiner — Robert M Spear

Assistant Examiner — Rhea Shields

(74) *Attorney, Agent, or Firm* — Craig A. Fieschko, Esq;
DeWitt Ross & Stevens S.C.

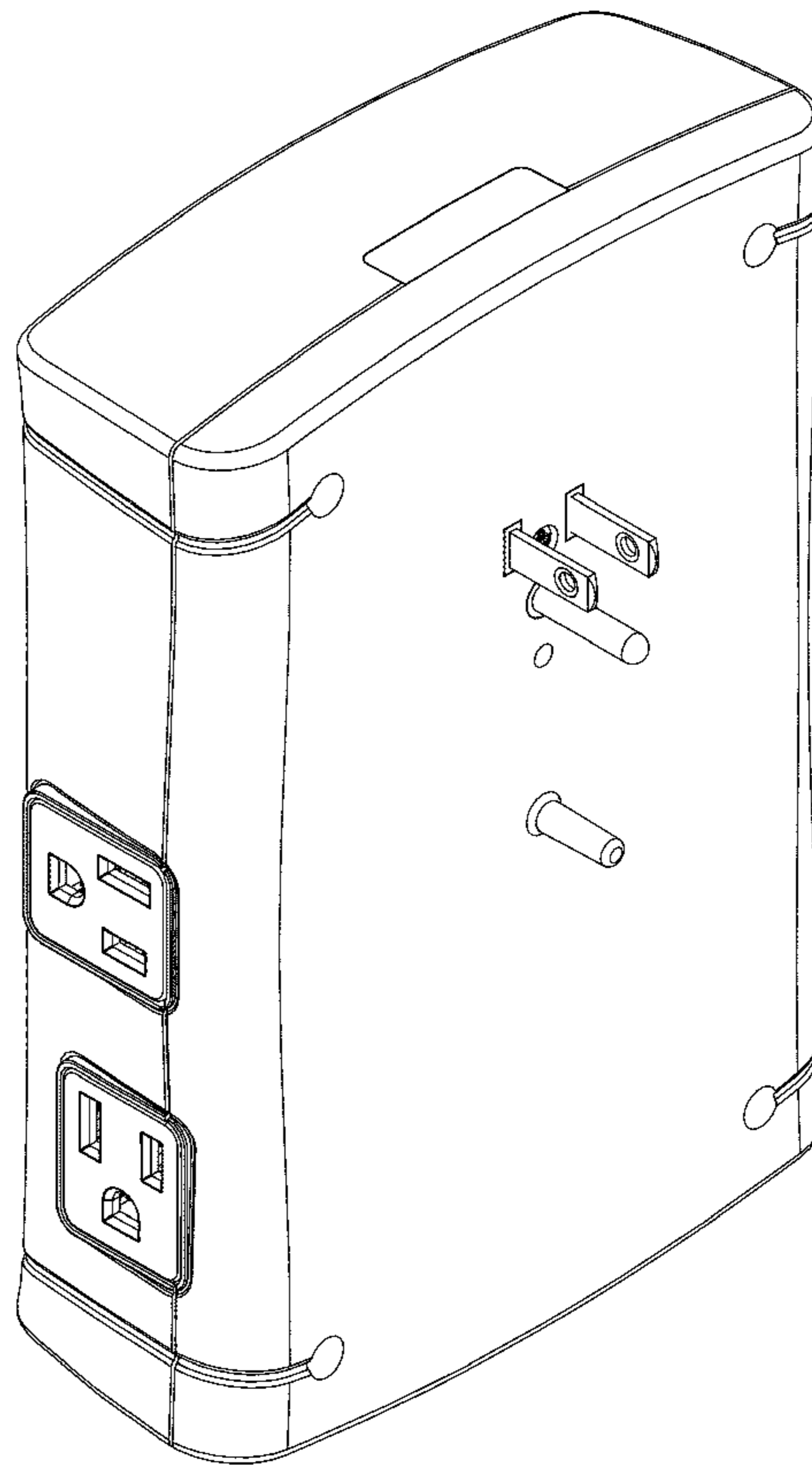
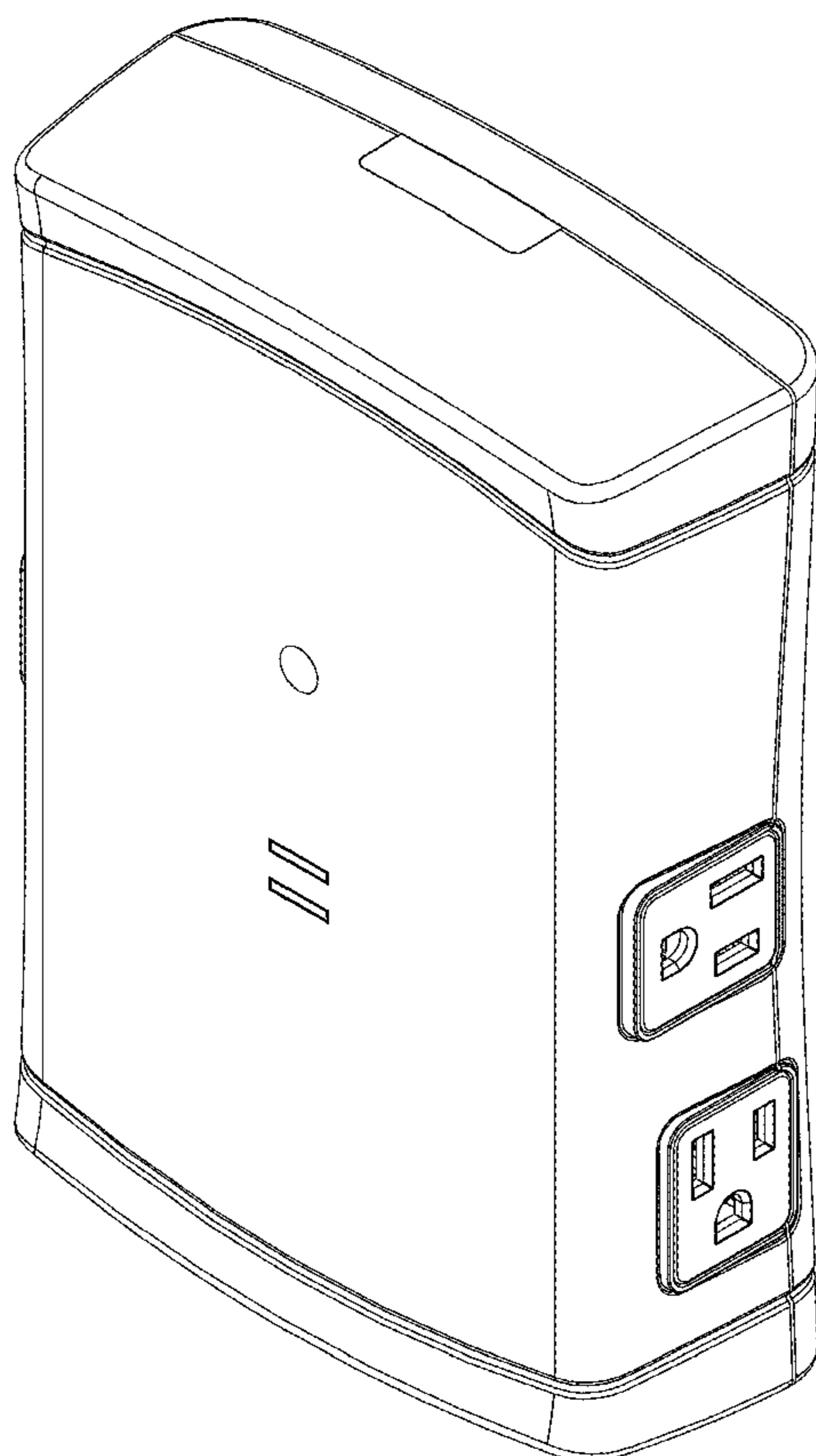
(57) **CLAIM**

I claim the ornamental design for a multi-socket electrical outlet, as shown.

DESCRIPTION

FIG. 1 is a perspective view showing the front, top, and right sides of the design;
FIG. 2 is a perspective view showing the rear, top, and right sides of the design;
FIG. 3 is a front elevational view thereof;
FIG. 4 is a left side elevational view thereof;
FIG. 5 is a right side elevational view thereof;
FIG. 6 is a rear elevational view thereof;
FIG. 7 is a bottom plan view thereof; and,
FIG. 8 is a top plan view thereof.

1 Claim, 7 Drawing Sheets



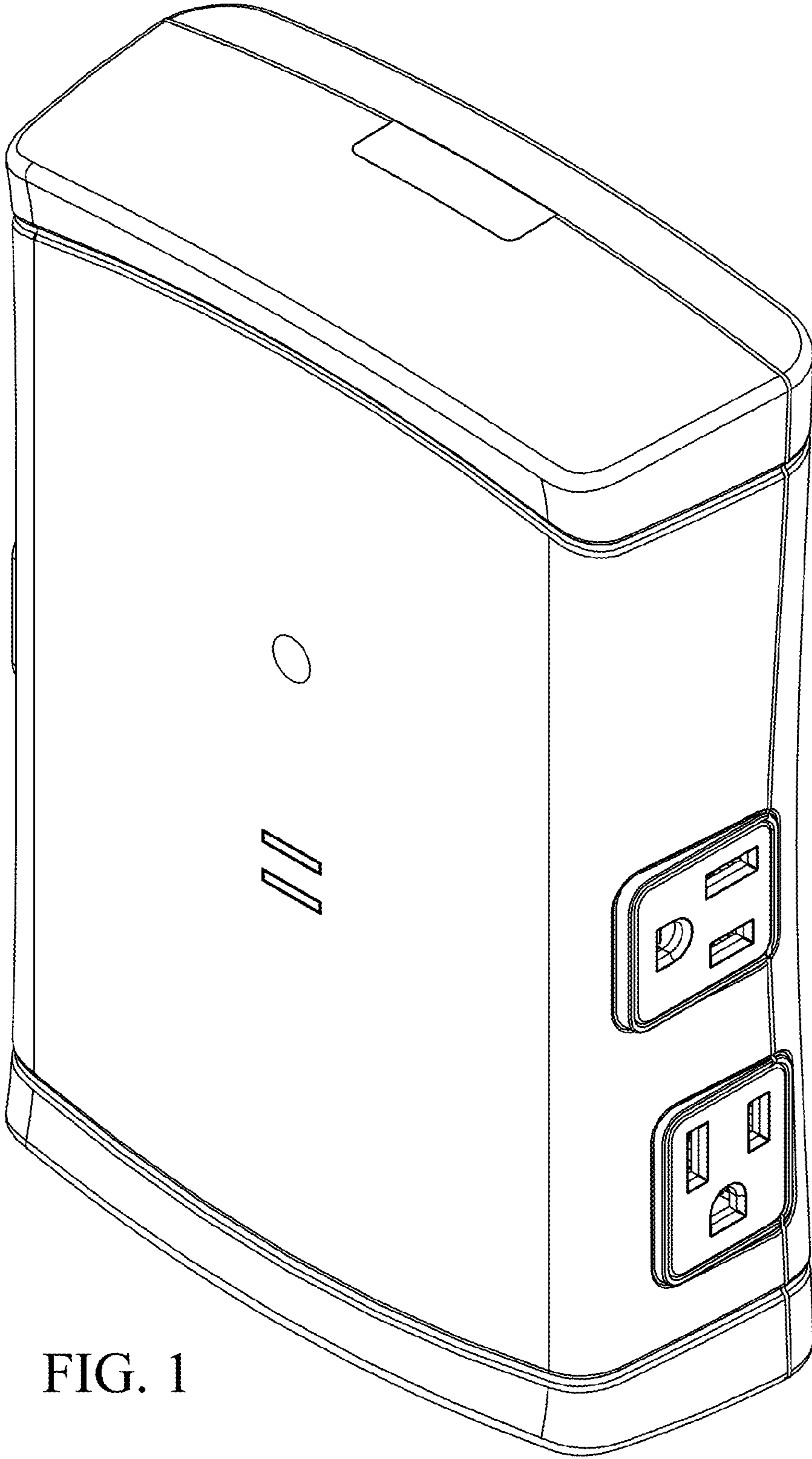


FIG. 1

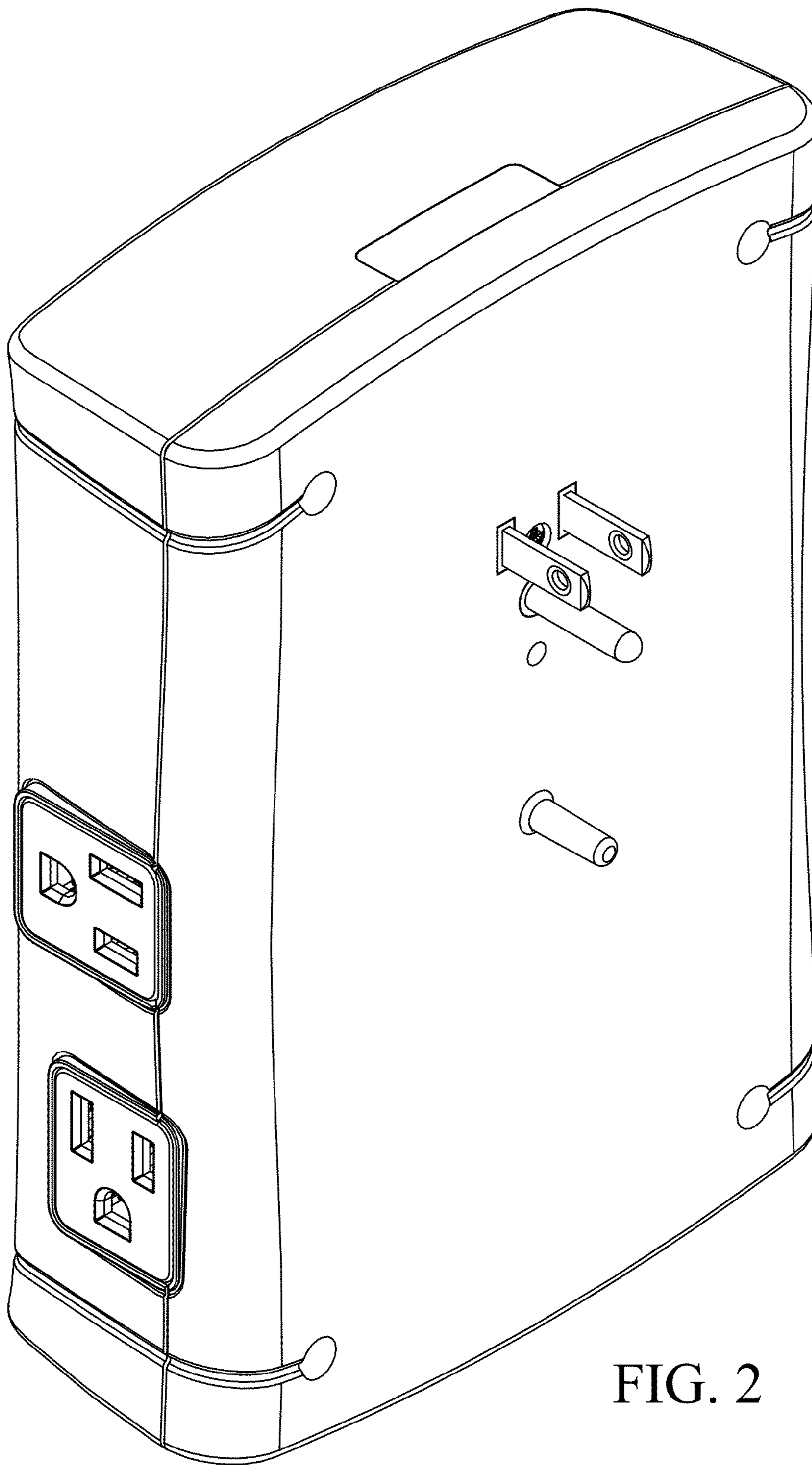


FIG. 2

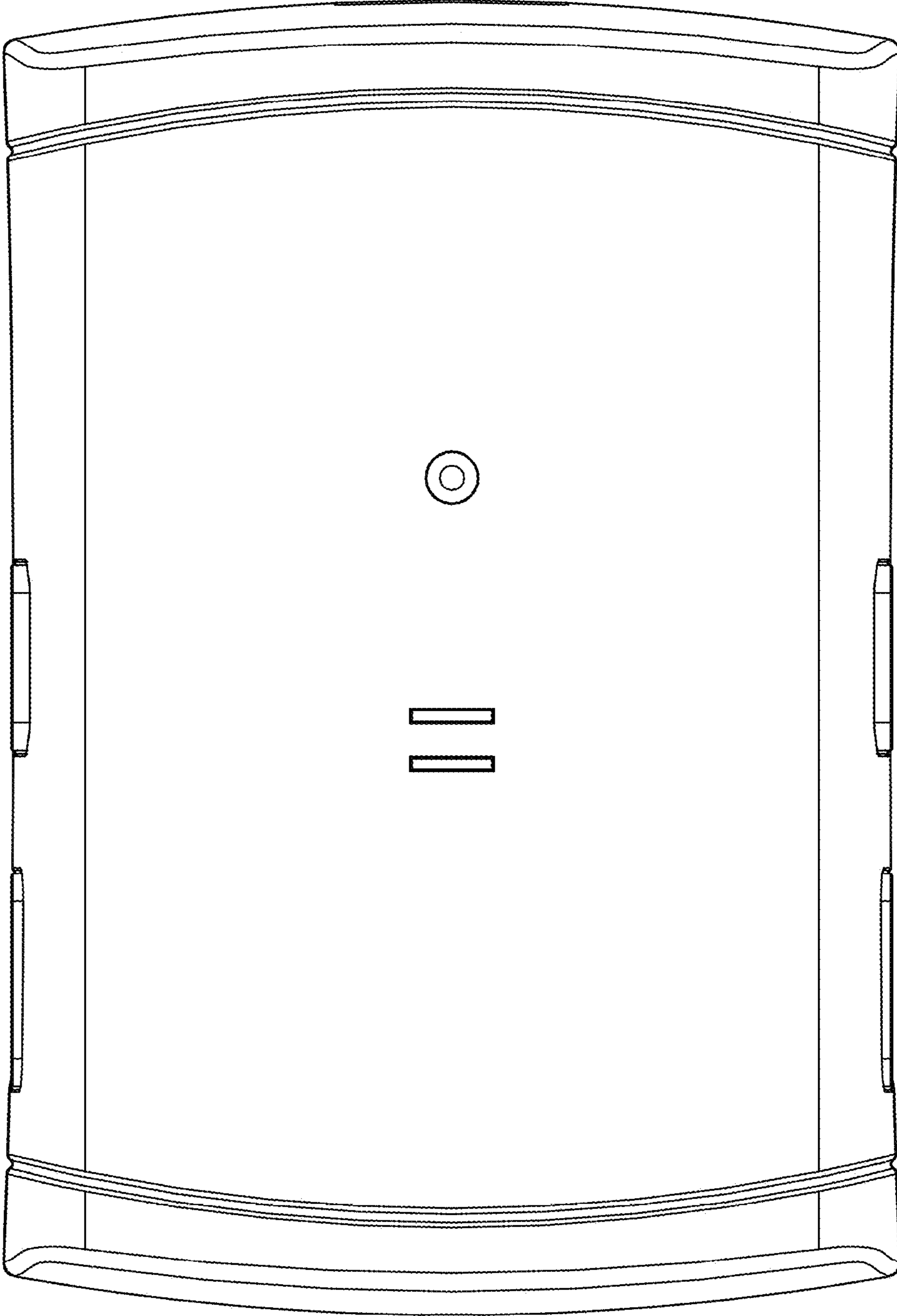


FIG. 3

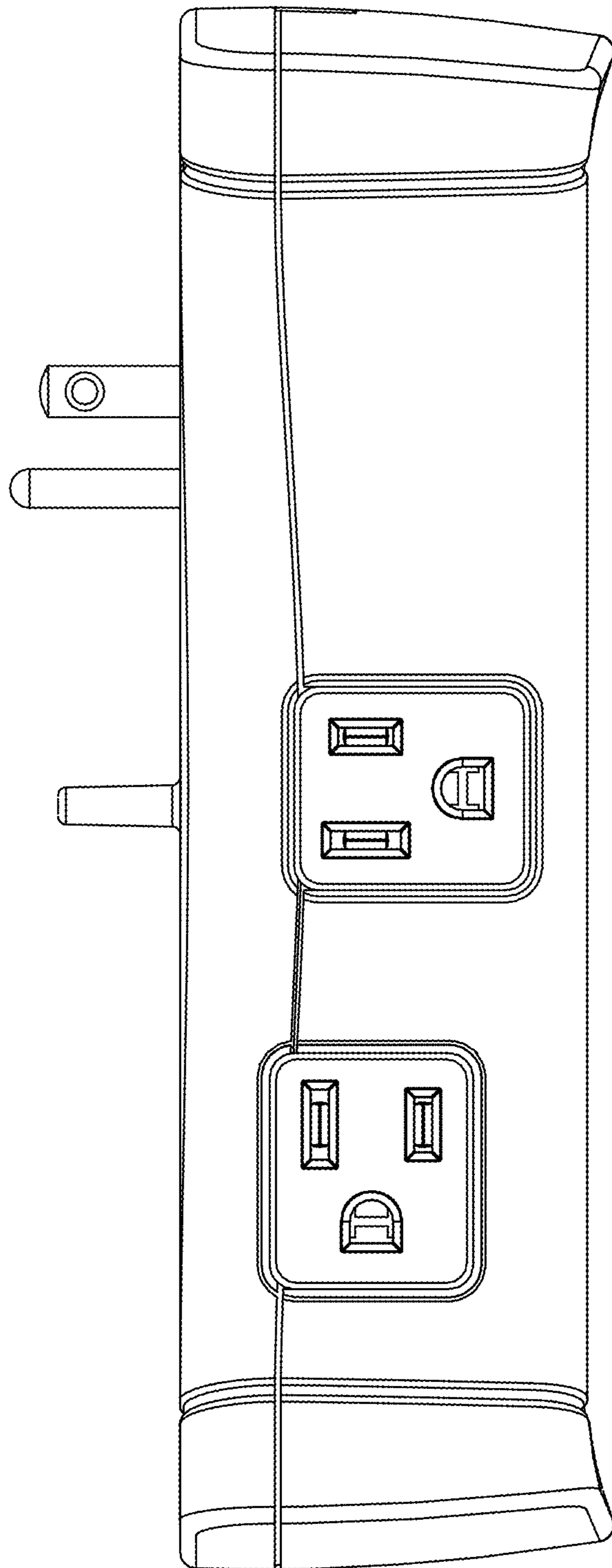


FIG. 4

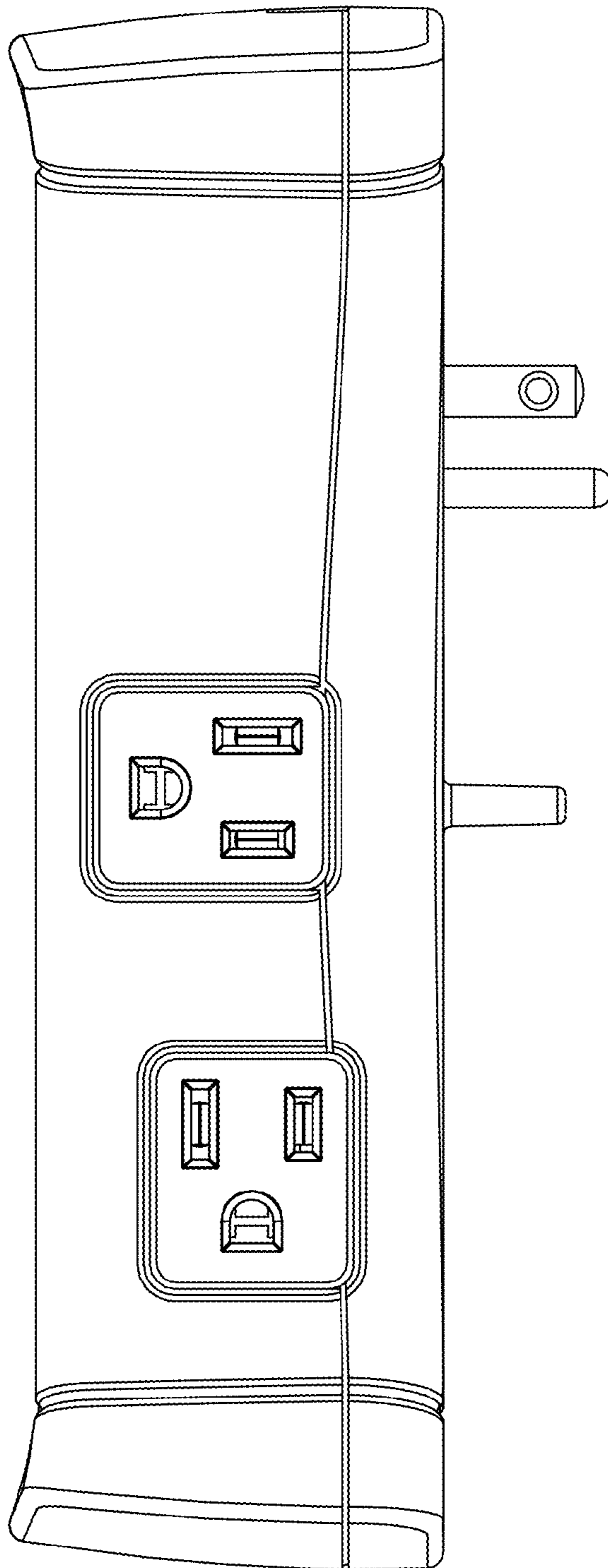


FIG. 5

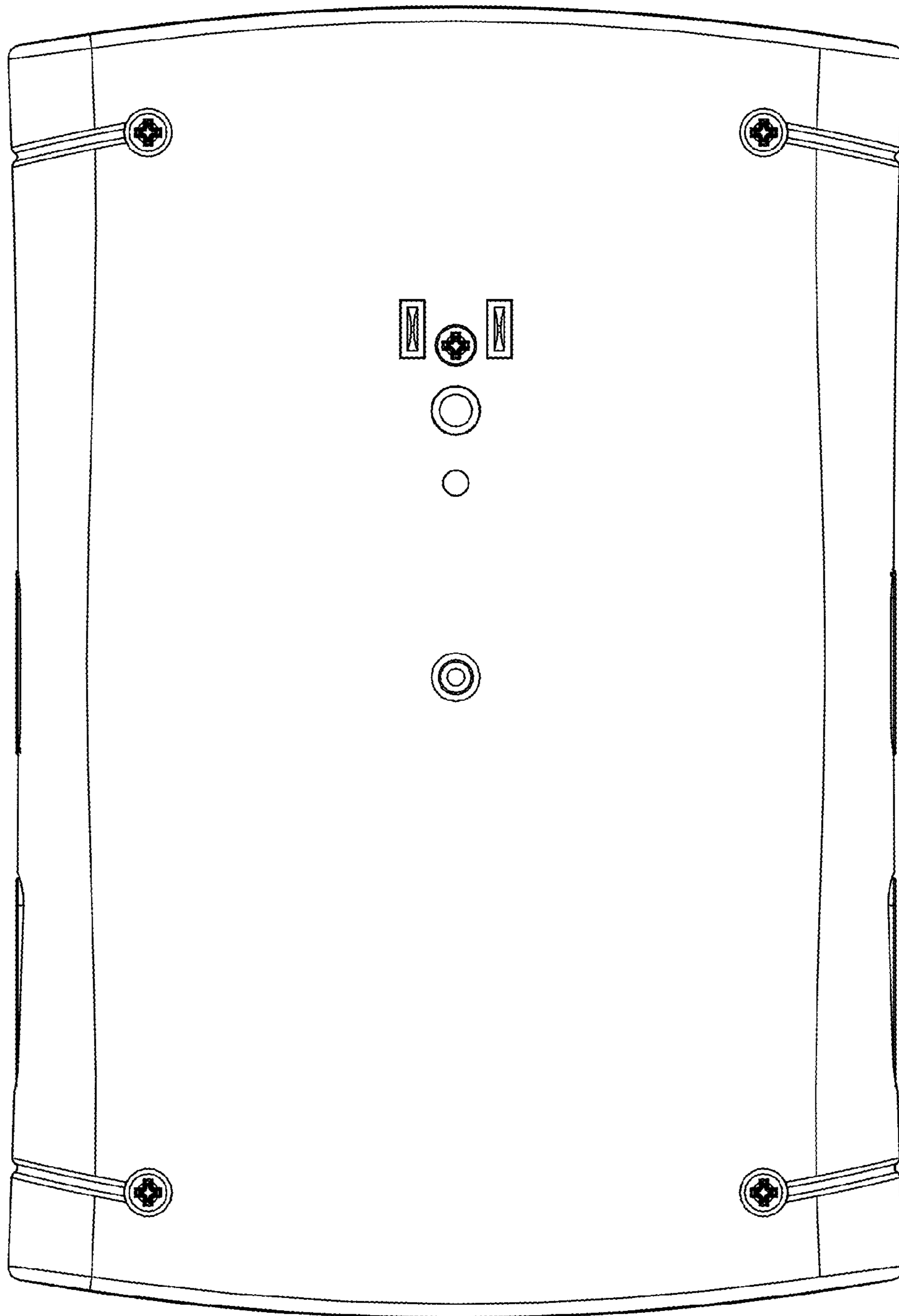


FIG. 6

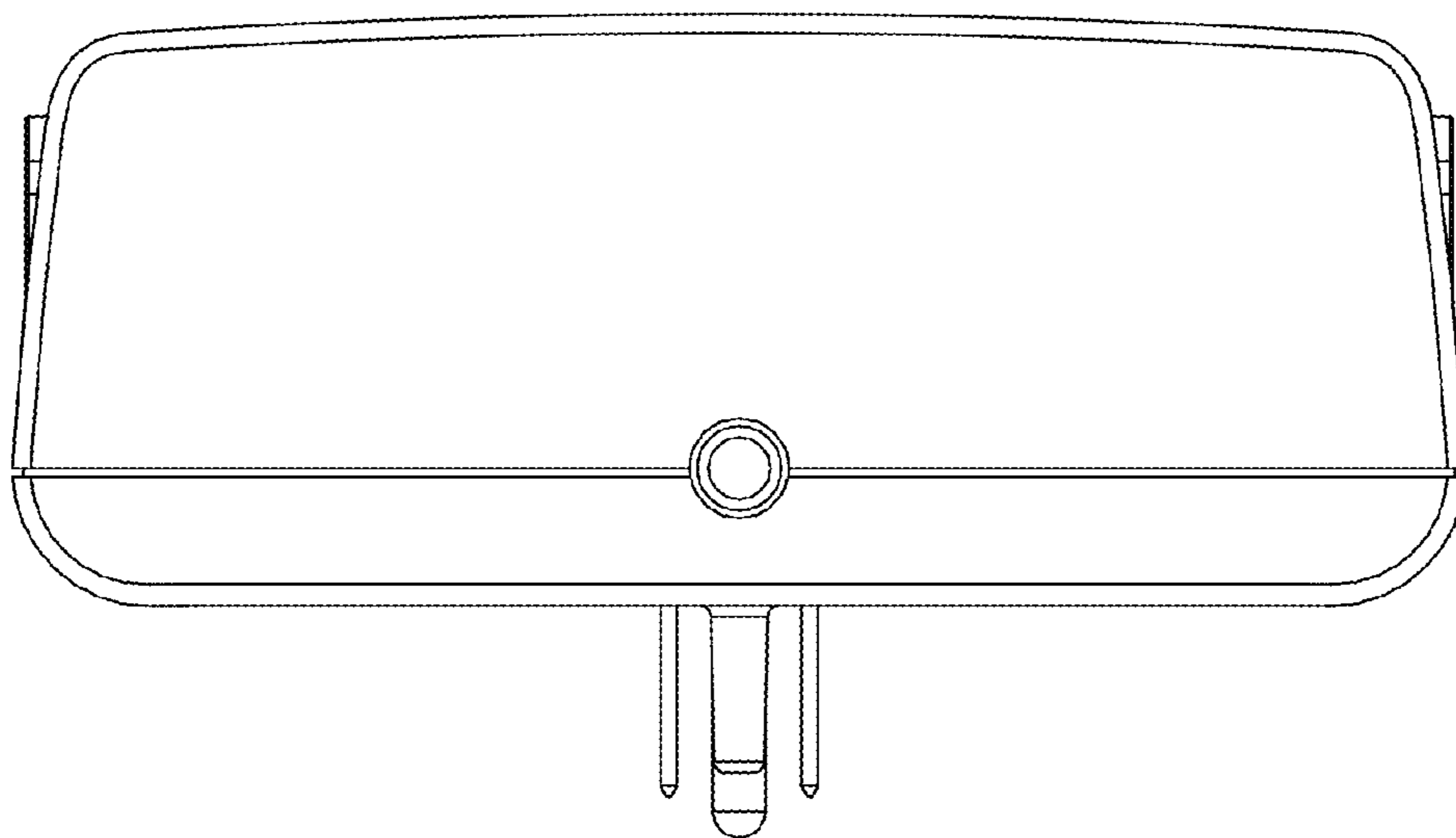


FIG. 7

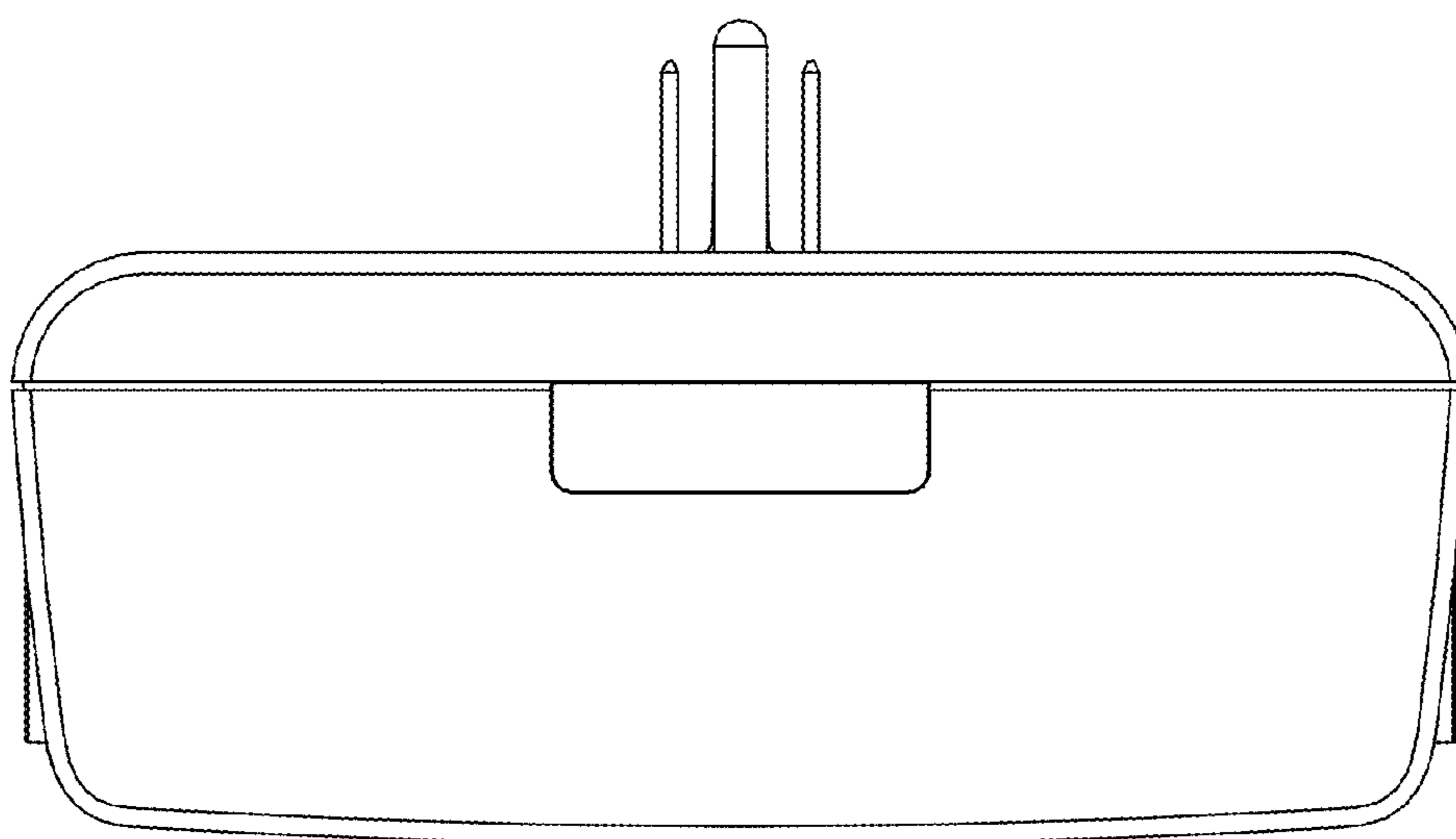


FIG. 8