



US00D700578S

(12) **United States Design Patent**
Cheng

(10) **Patent No.:** **US D700,578 S**

(45) **Date of Patent:** **** Mar. 4, 2014**

(54) **LED TUBE END CAP WITH SAFETY SWITCH**

2010/0304079 A1* 12/2010 Yang et al. 428/99
2010/0317212 A1* 12/2010 Daily 439/230
2011/0235320 A1* 9/2011 Cai et al. 362/217.17

(76) Inventor: **Yp Cheng**, Hong Kong (CN)

(**) Term: **14 Years**

(21) Appl. No.: **29/430,305**

(22) Filed: **Aug. 23, 2012**

(30) **Foreign Application Priority Data**

Mar. 8, 2012 (CN) 2012 3 0051153

(51) **LOC (10) Cl.** **13-03**

(52) **U.S. Cl.**

USPC **D13/134**

(58) **Field of Classification Search**

USPC D13/133, 134, 149, 158; D26/138, 140;
362/217, 147, 223, 260; 439/241, 242,
439/243, 244, 239, 226, 240

See application file for complete search history.

(56) **References Cited**

U.S. PATENT DOCUMENTS

D516,511 S * 3/2006 Wiskerke D13/134
D557,452 S * 12/2007 Kitagawa et al. D26/138
D577,337 S * 9/2008 Zayas D13/134
D590,343 S * 4/2009 Zayas D13/134
D602,869 S * 10/2009 Vogt et al. D13/134
D616,822 S * 6/2010 Zayas D13/134
D634,274 S * 3/2011 Stucchi D13/134
8,021,192 B2 * 9/2011 Takata 439/628
8,066,411 B1 * 11/2011 Barton et al. 362/310
D651,973 S * 1/2012 Fukano et al. D13/134

OTHER PUBLICATIONS

EPO Examination Report dated Sep. 3, 2012 for corresponding EP Design Registration No. 0029094284-0001 (1 page).
KIPO Notification of Preliminary Rejection with English translation dated Jul. 11, 2013 for corresponding KR Design Application No. 30-2012-0037627 (5 pages).

* cited by examiner

Primary Examiner — Thomas Johannes

(74) *Attorney, Agent, or Firm* — Christie, Parker & Hale, LLP

(57) **CLAIM**

The ornamental design for an LED tube end cap with safety switch, as shown and described.

DESCRIPTION

FIG. 1 is a back perspective view of the LED tube end cap with safety switch according to my invention;

FIG. 2 is a front view thereof;

FIG. 3 is a back view thereof;

FIG. 4 is a left side view thereof;

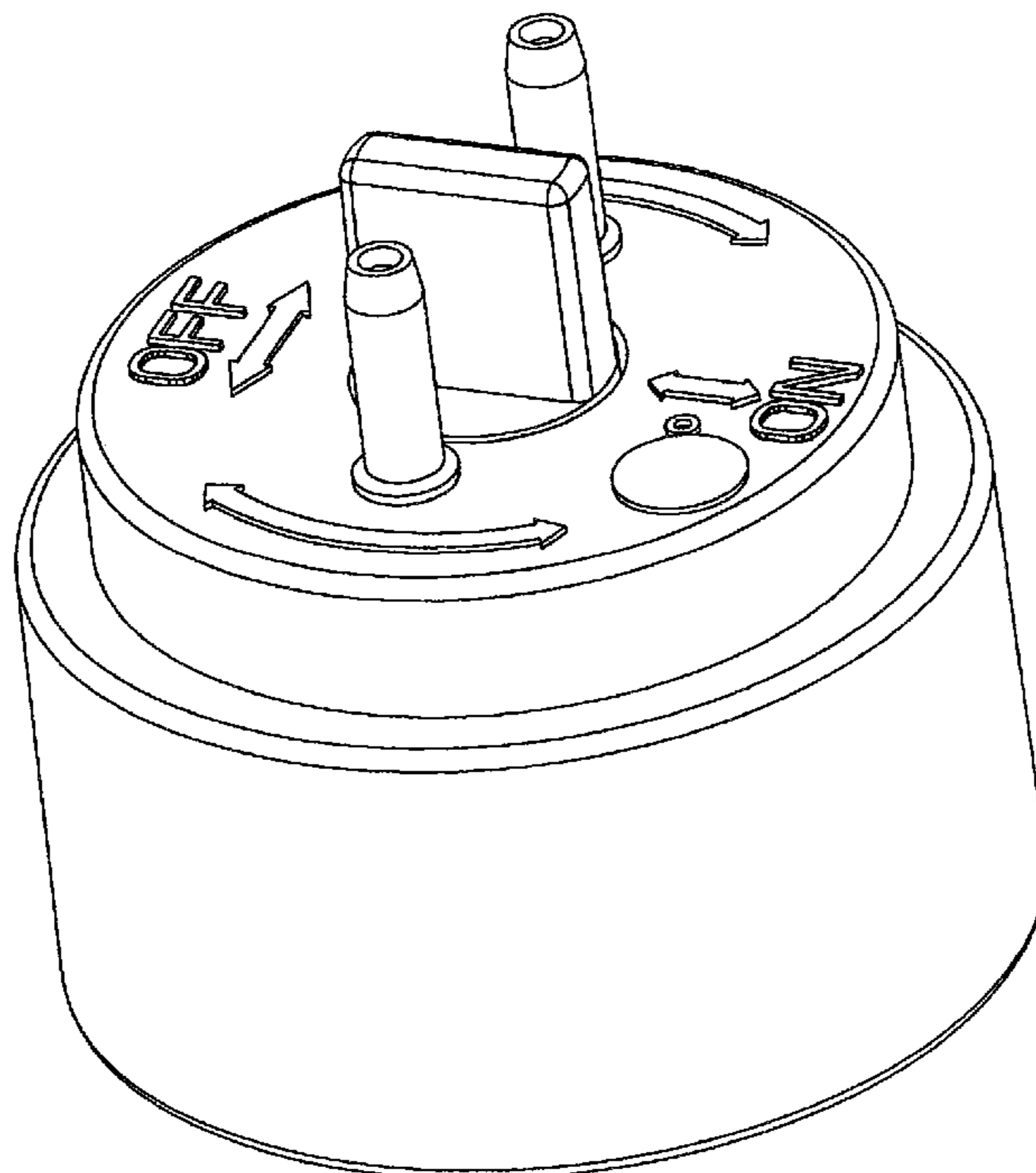
FIG. 5 is a right side view thereof;

FIG. 6 is a top view thereof; and,

FIG. 7 is a bottom view thereof.

The broken line portion of the figure drawings is included to show unclaimed subject matter only and forms no part of the claimed design.

1 Claim, 7 Drawing Sheets



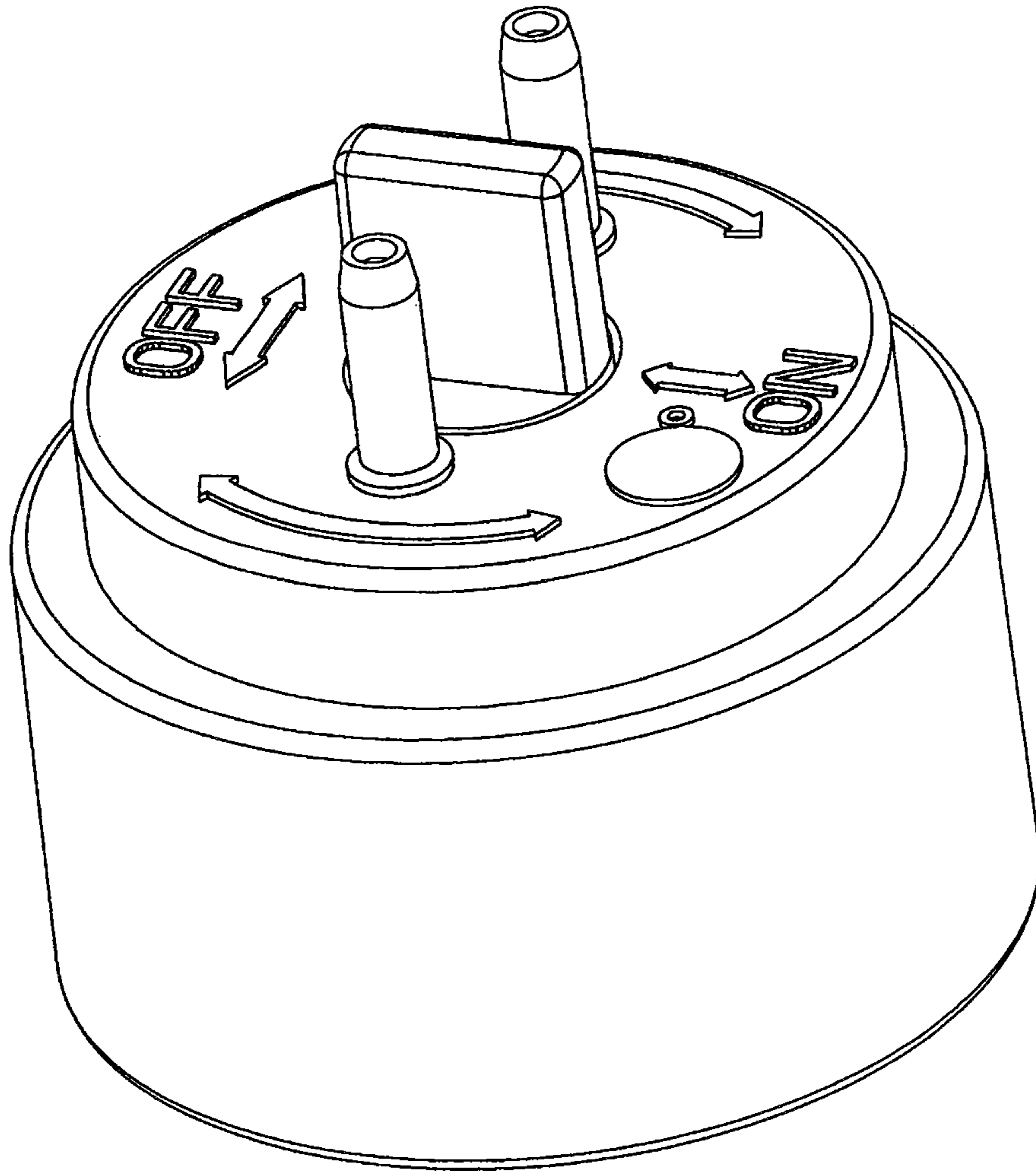


Fig. 1

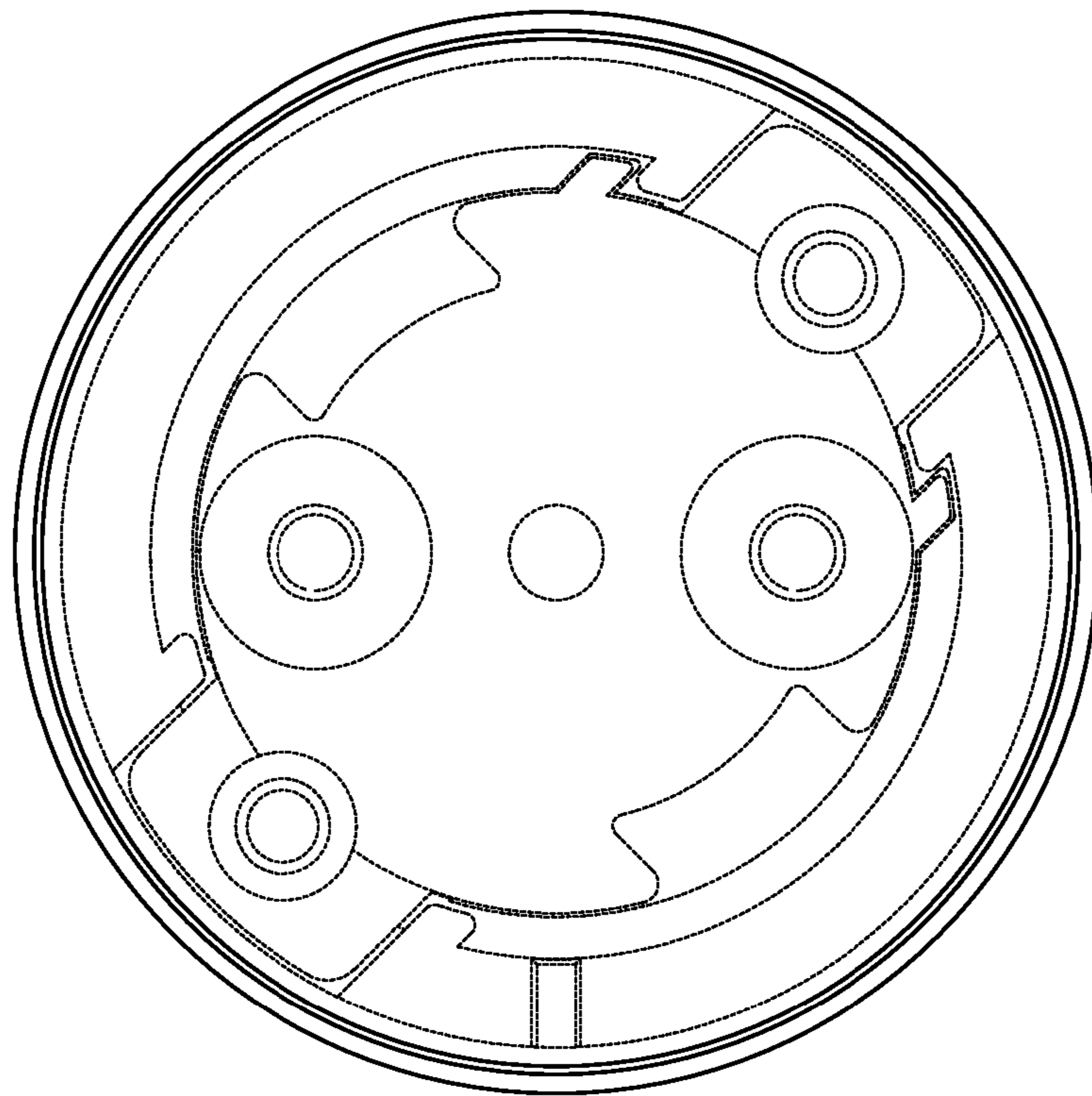


FIG. 2

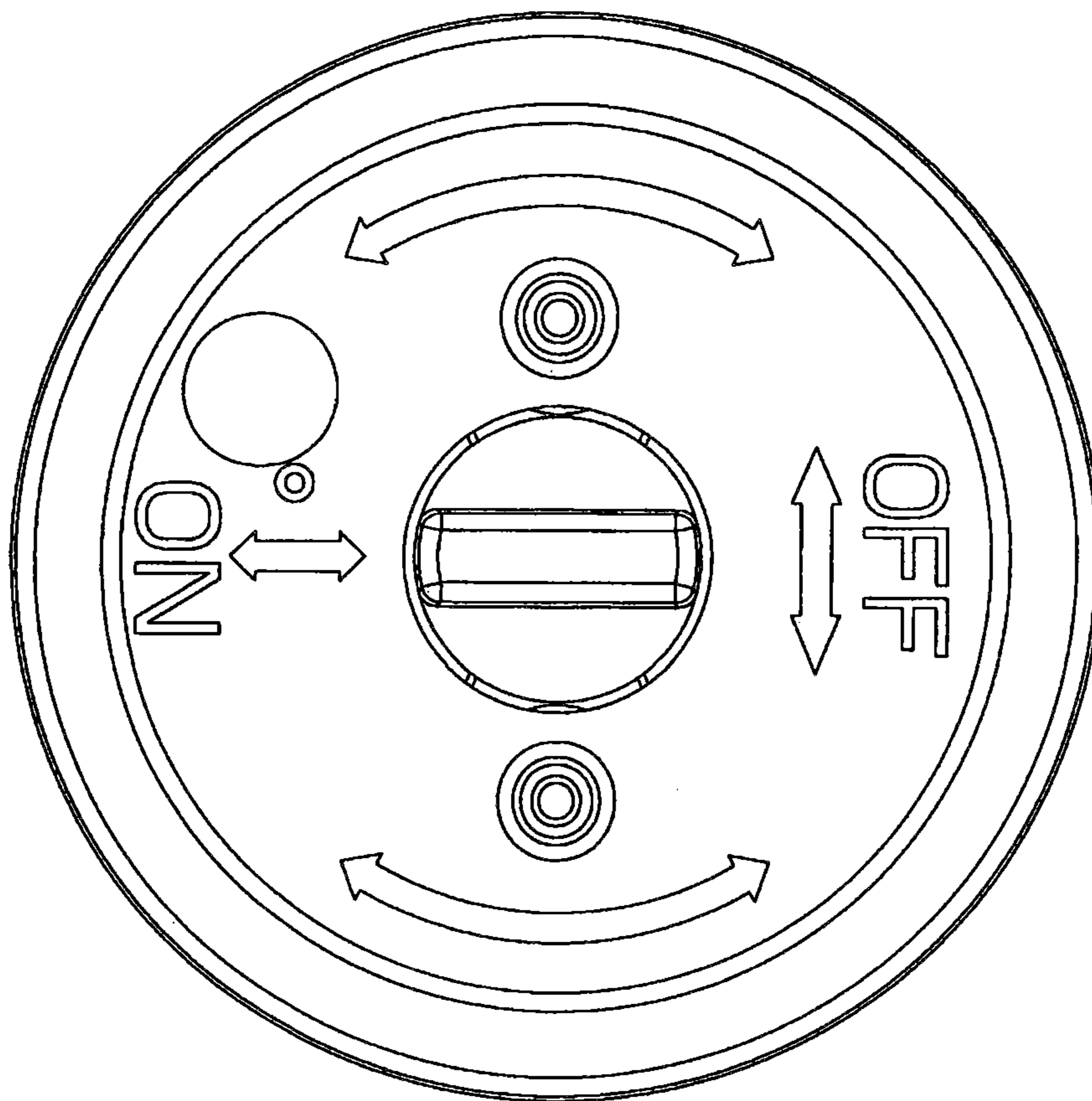


Fig. 3

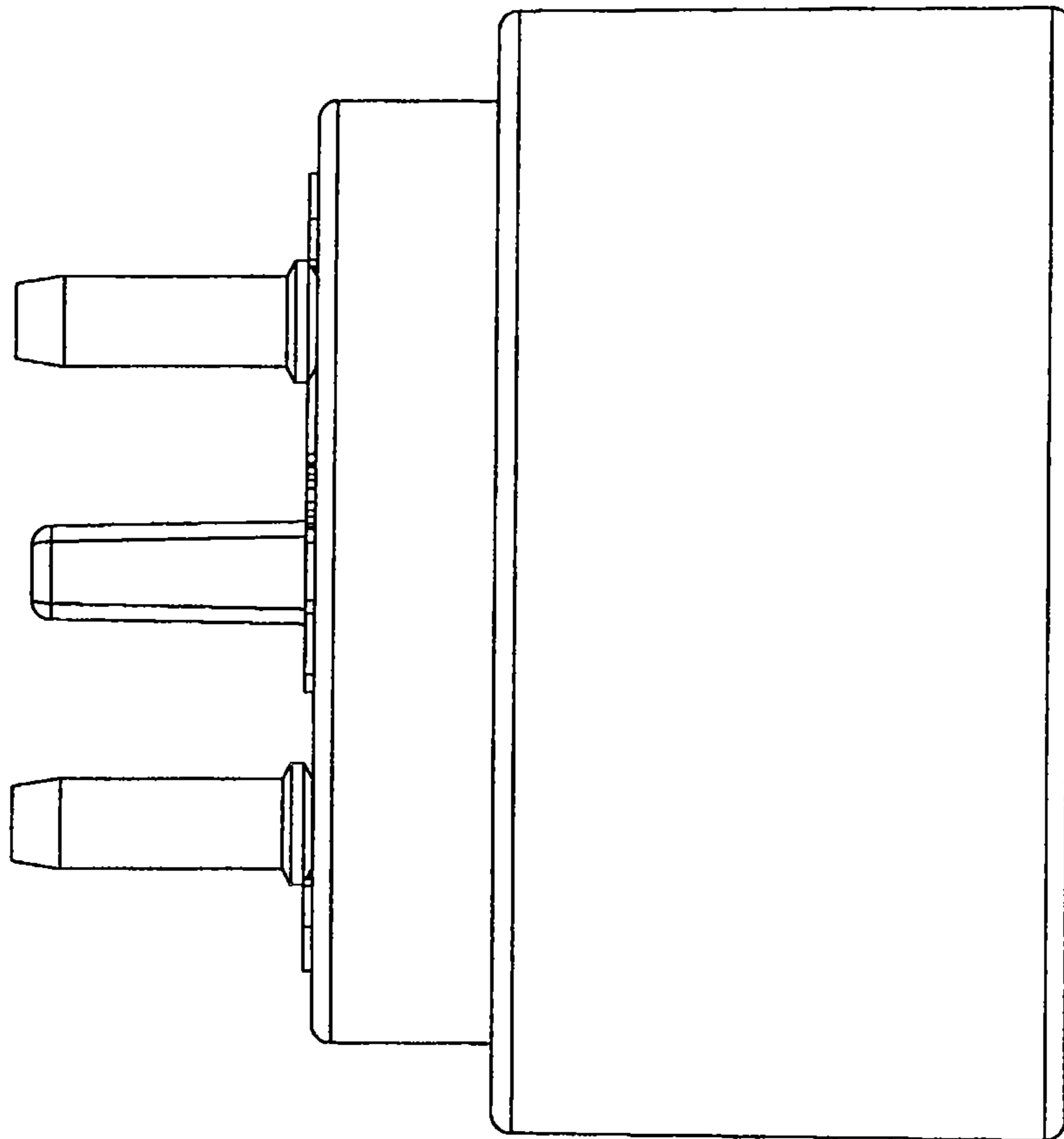


Fig. 4

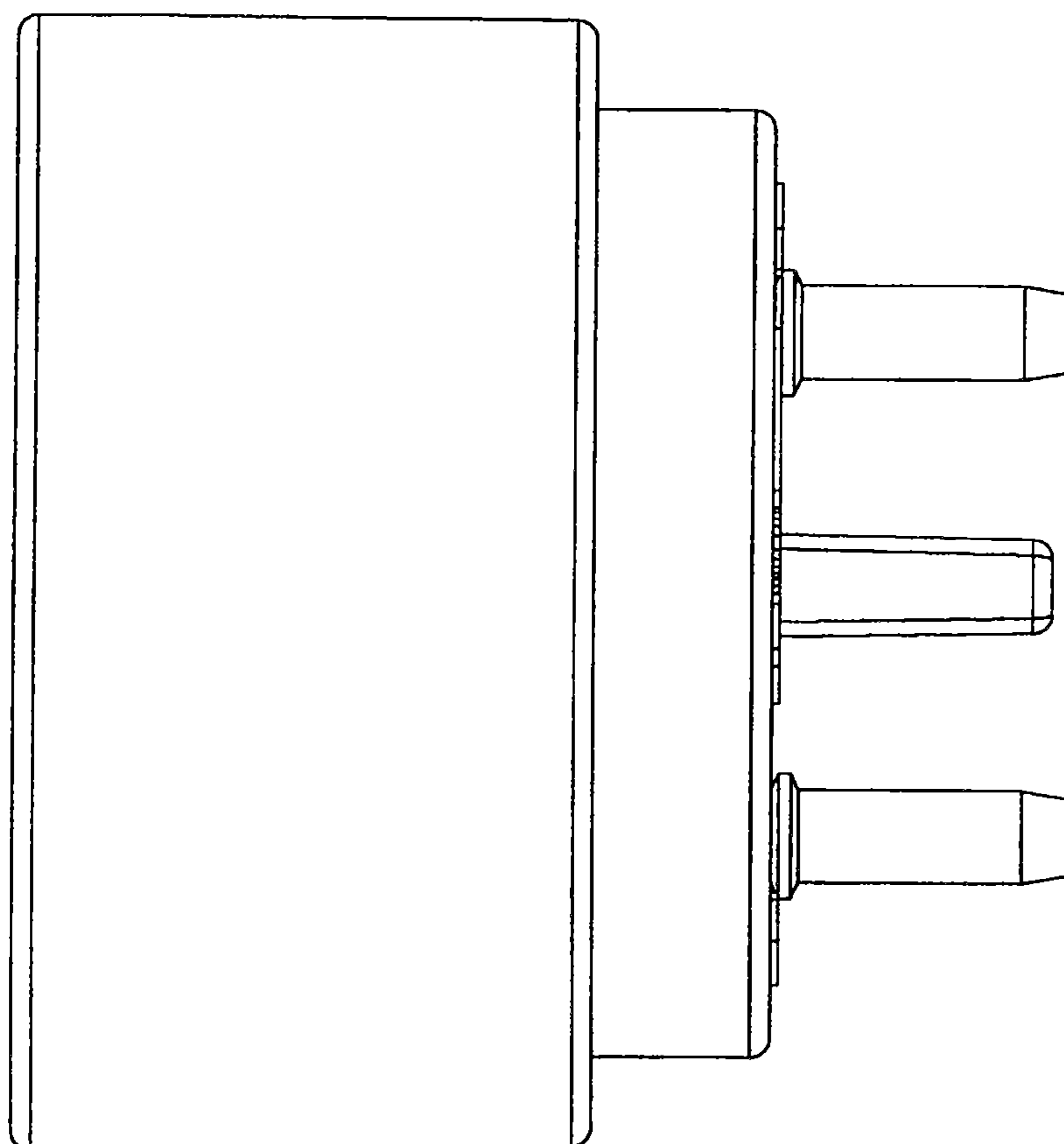


Fig. 5

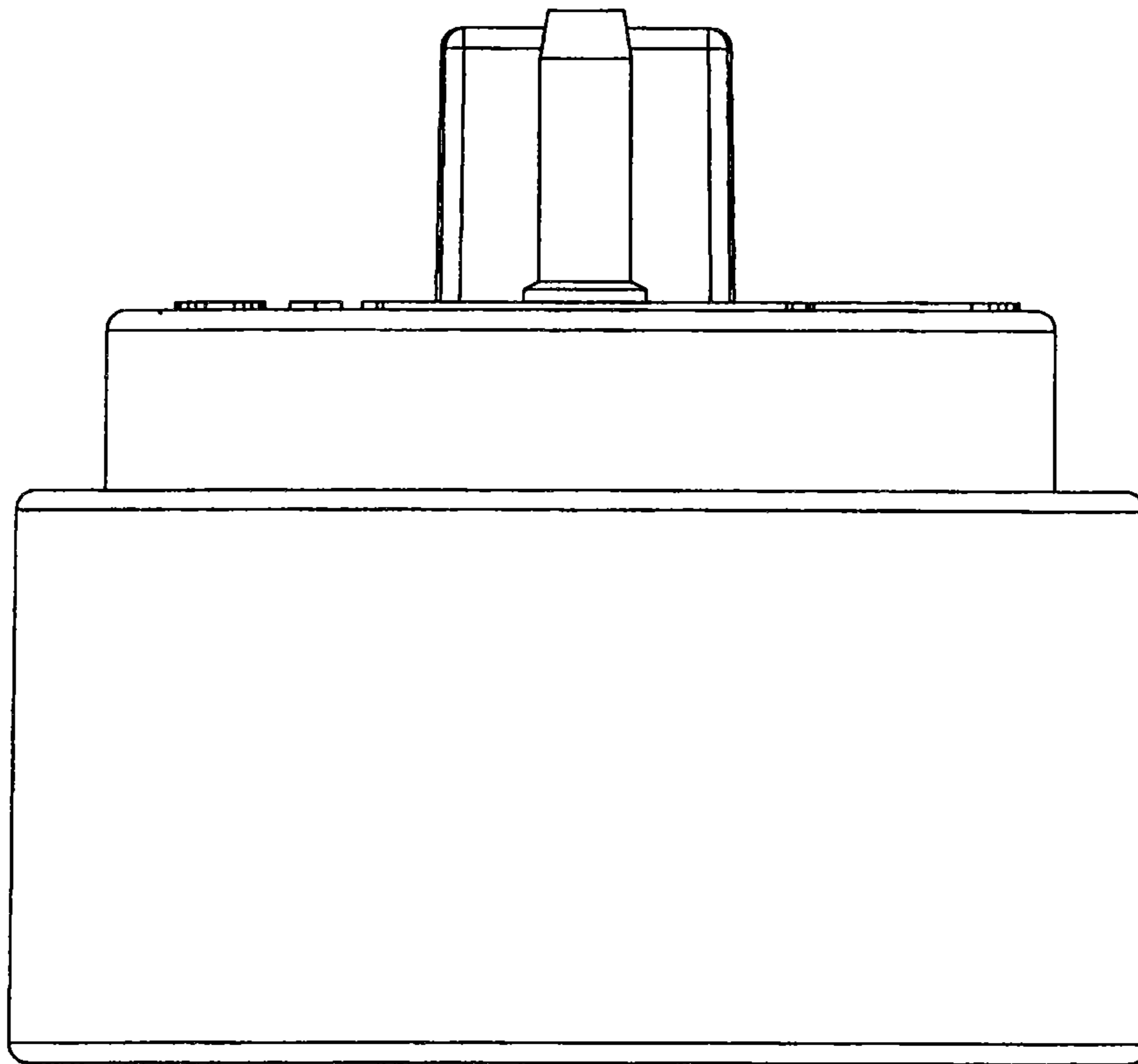


Fig. 6

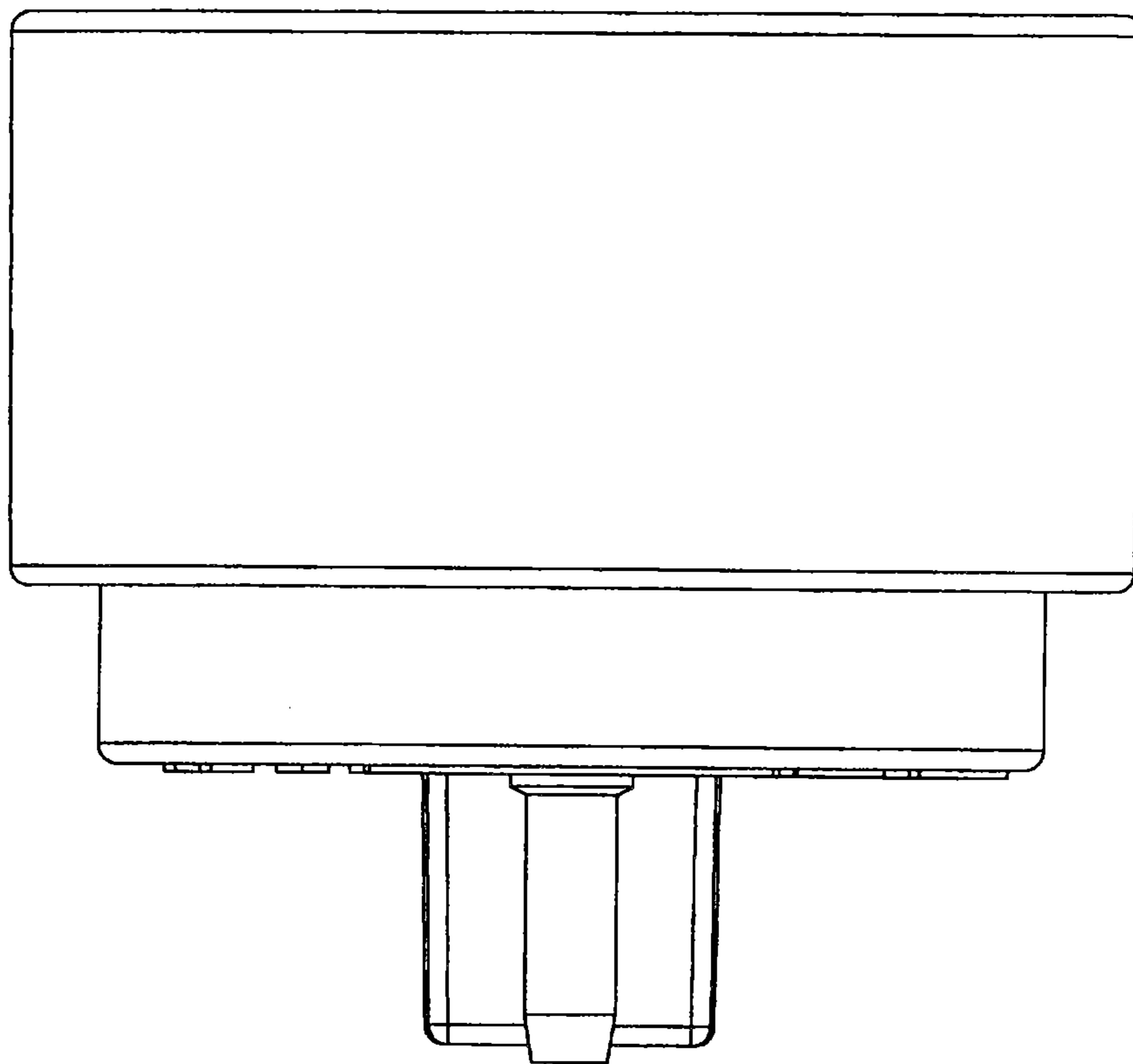


Fig. 7