



US00D700577S

(12) **United States Design Patent**  
**Ding et al.**

(10) **Patent No.:** **US D700,577 S**

(45) **Date of Patent:** **\*\* \*Mar. 4, 2014**

(54) **LAMP CUP**

(56) **References Cited**

(75) Inventors: **Genglin Ding**, Shenzhen (CN); **Lei Yi**, Shenzhen (CN); **Xinshen Xue**, Shenzhen (CN)

U.S. PATENT DOCUMENTS

(73) Assignee: **Civilight Shenzhen Semiconductor Lighting Co., Ltd.**, Shenzhen (CN)

D415,103	S	*	10/1999	Klaus et al.	.....	D13/134
D415,104	S	*	10/1999	Klaus et al.	.....	D13/134
D425,024	S	*	5/2000	Klaus et al.	.....	D13/134
D542,735	S	*	5/2007	Keilholz et al.	.....	D13/134
D627,727	S	*	11/2010	Alexander et al.	.....	D13/134
D628,156	S	*	11/2010	Alexander et al.	.....	D13/134
D645,007	S	*	9/2011	Alexander	.....	D13/179
D659,891	S	*	5/2012	Ding et al.	.....	D26/113
D659,892	S	*	5/2012	Ding et al.	.....	D26/113
D659,893	S	*	5/2012	Ding et al.	.....	D26/113
2003/0166357	A1	*	9/2003	Tseng	.....	439/419

(\*) Notice: This patent is subject to a terminal disclaimer.

(\*\*) Term: **14 Years**

\* cited by examiner

(21) Appl. No.: **29/399,265**

*Primary Examiner* — Thomas Johannes

(74) *Attorney, Agent, or Firm* — Hamre, Schumann, Mueller & Larson, P.C.

(22) Filed: **Aug. 11, 2011**

(57) **CLAIM**

The ornamental design for a “lamp cup,” as shown and described.

(30) **Foreign Application Priority Data**

**DESCRIPTION**

Jul. 19, 2011 (CN) ..... 2011 3 0230556

(51) **LOC (10) Cl.** ..... **13-03**

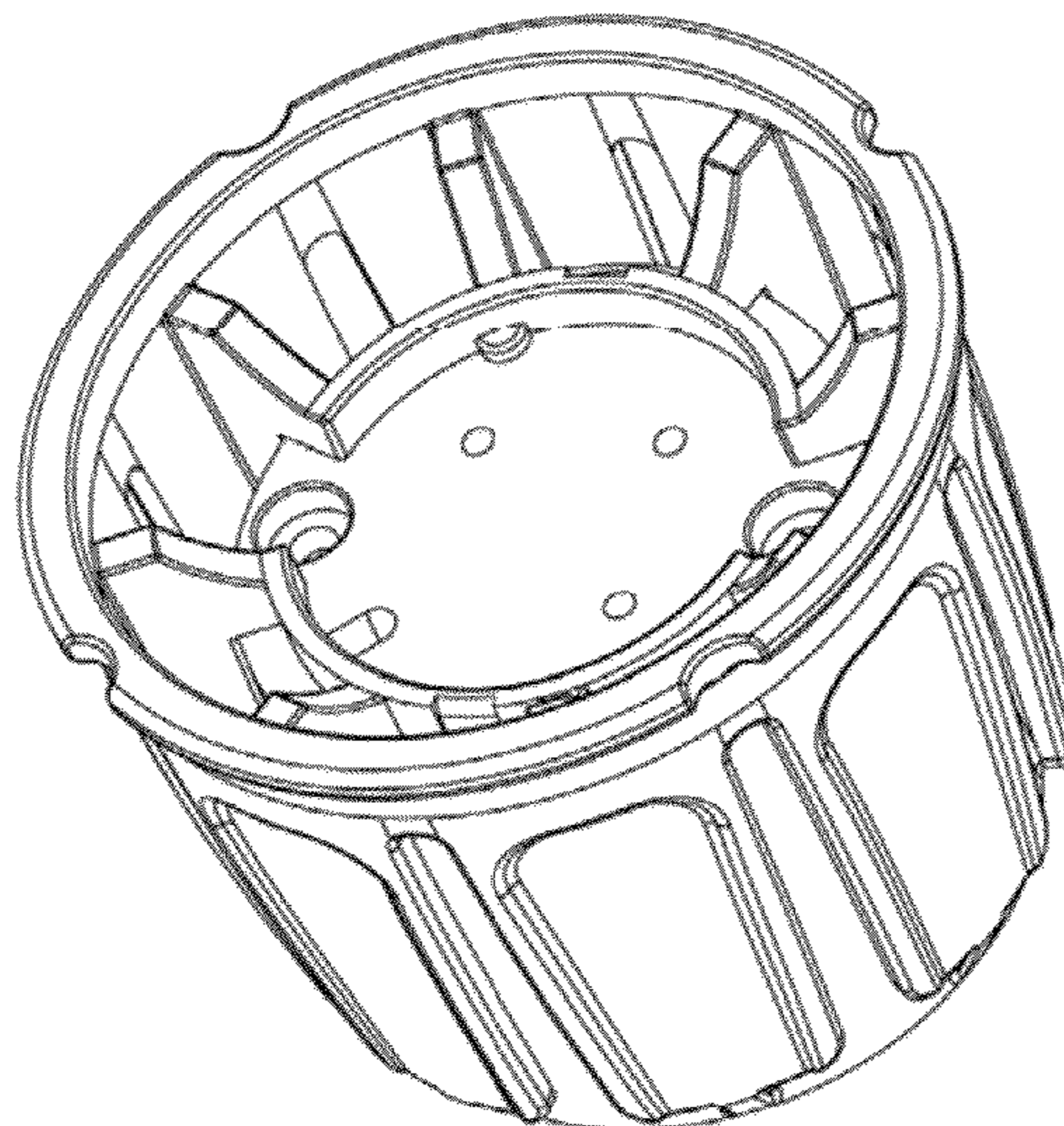
(52) **U.S. Cl.**  
USPC ..... **D13/134**

(58) **Field of Classification Search**  
USPC ..... D13/113, 123, 133, 134, 136, 179, 184,  
D13/199; 165/80.3, 104.33, 151, 122, 185;  
257/706, 707, 718-722; 361/687, 695,  
361/697, 700, 702, 704, 709, 710, 711,  
361/719; 362/294, 427, 545; 313/318.01;  
439/76.1; D26/113, 138

FIG. 1 is a front perspective view of a lamp cup showing our new design;  
FIG. 2 is a front elevational view thereof;  
FIG. 3 is a rear elevational view thereof;  
FIG. 4 is a left side elevational view thereof;  
FIG. 5 is a right side elevational view thereof;  
FIG. 6 is a top plan view thereof; and,  
FIG. 7 is a bottom plan view thereof.  
The broken line portion of the figure drawings is included to show unclaimed subject matter only and forms no part of the claimed design.

See application file for complete search history.

**1 Claim, 4 Drawing Sheets**



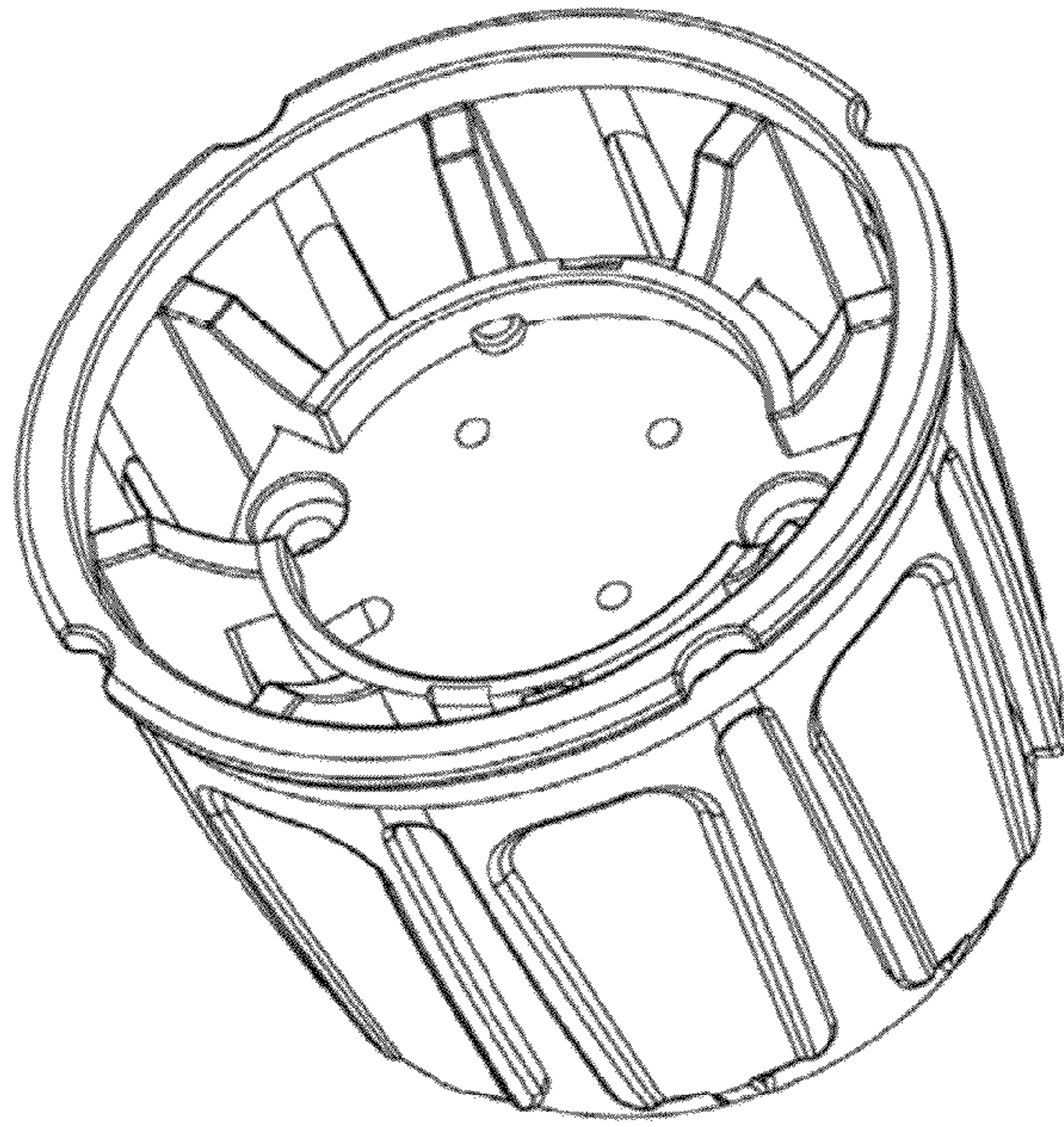


FIG. 1

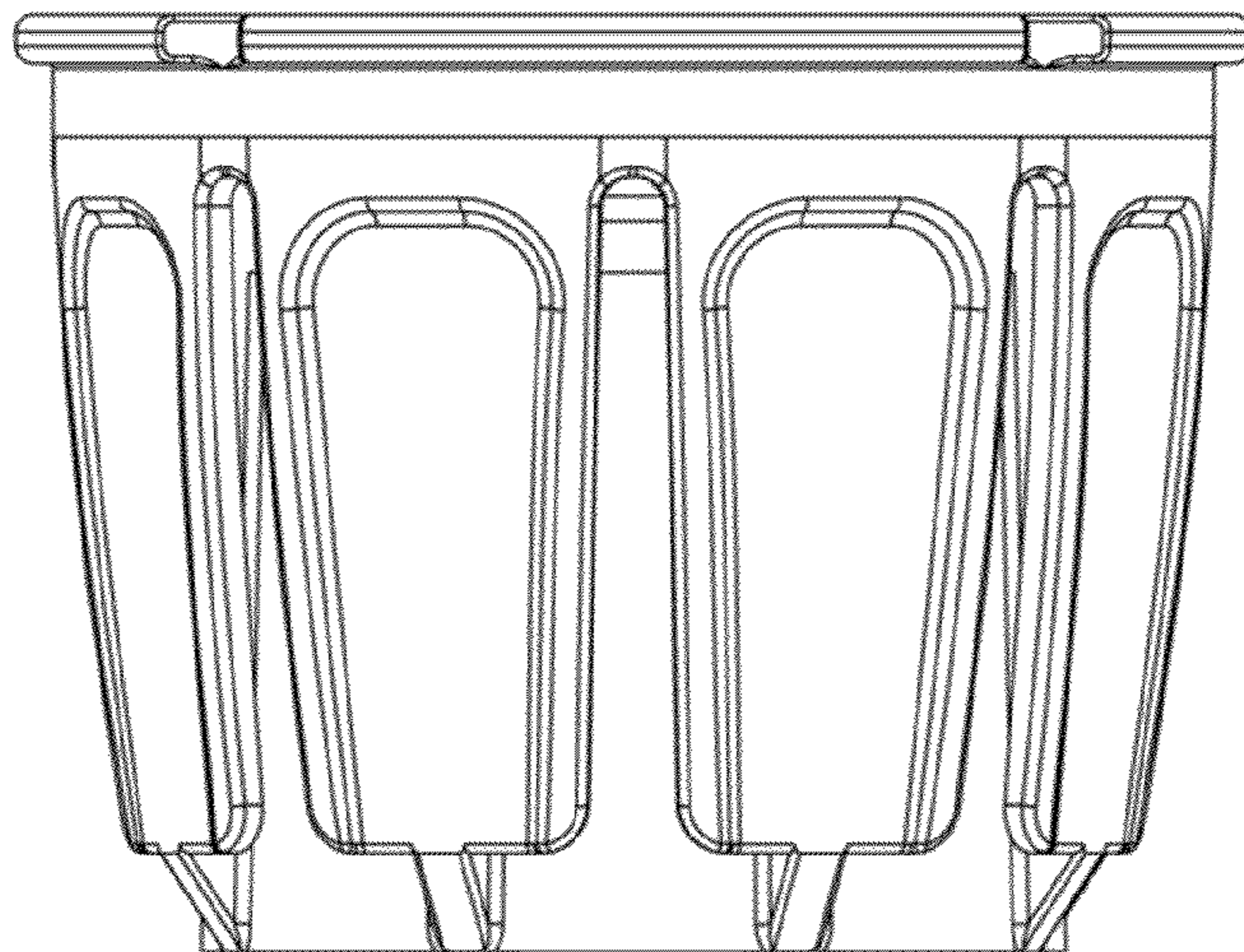


FIG. 2

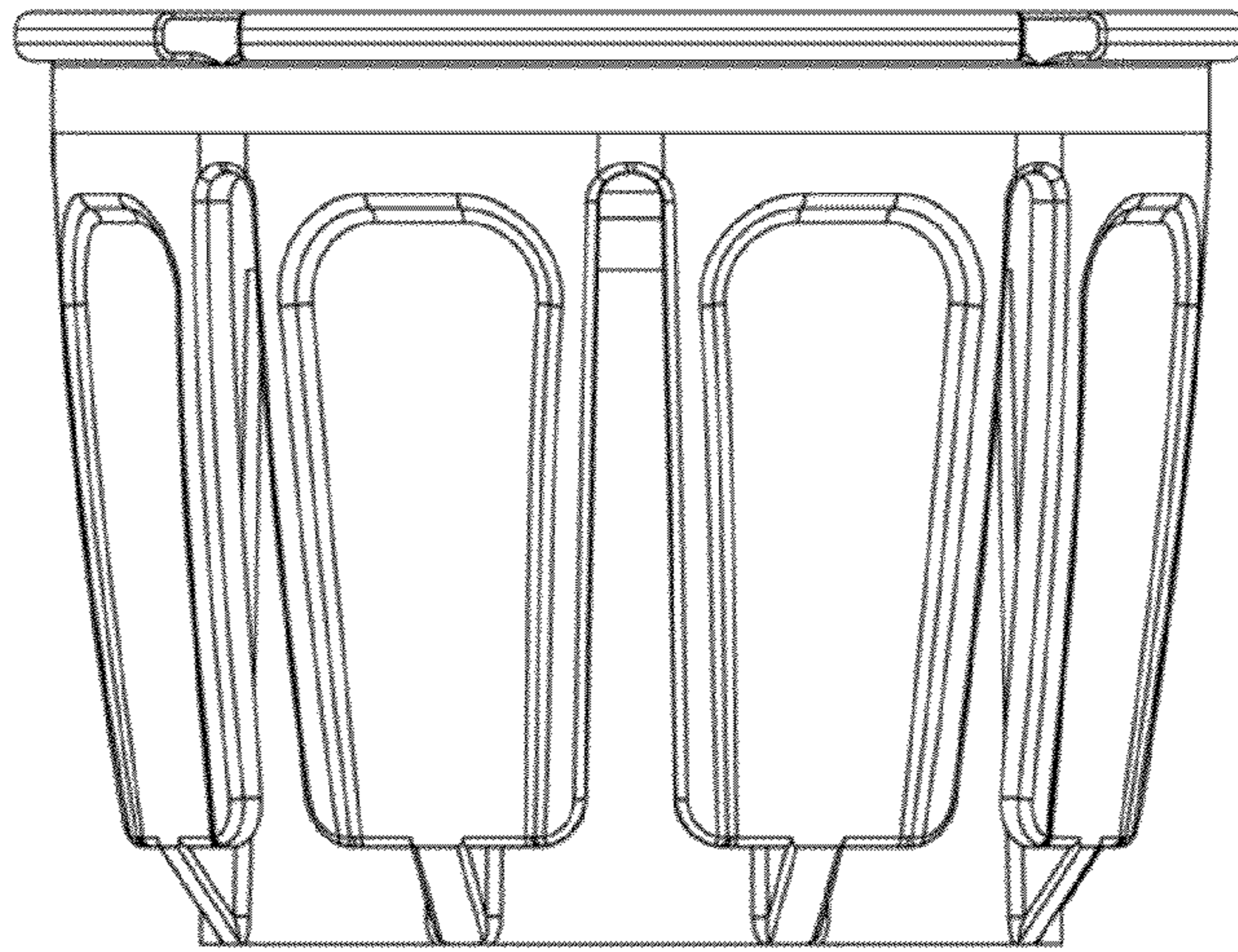


FIG. 3

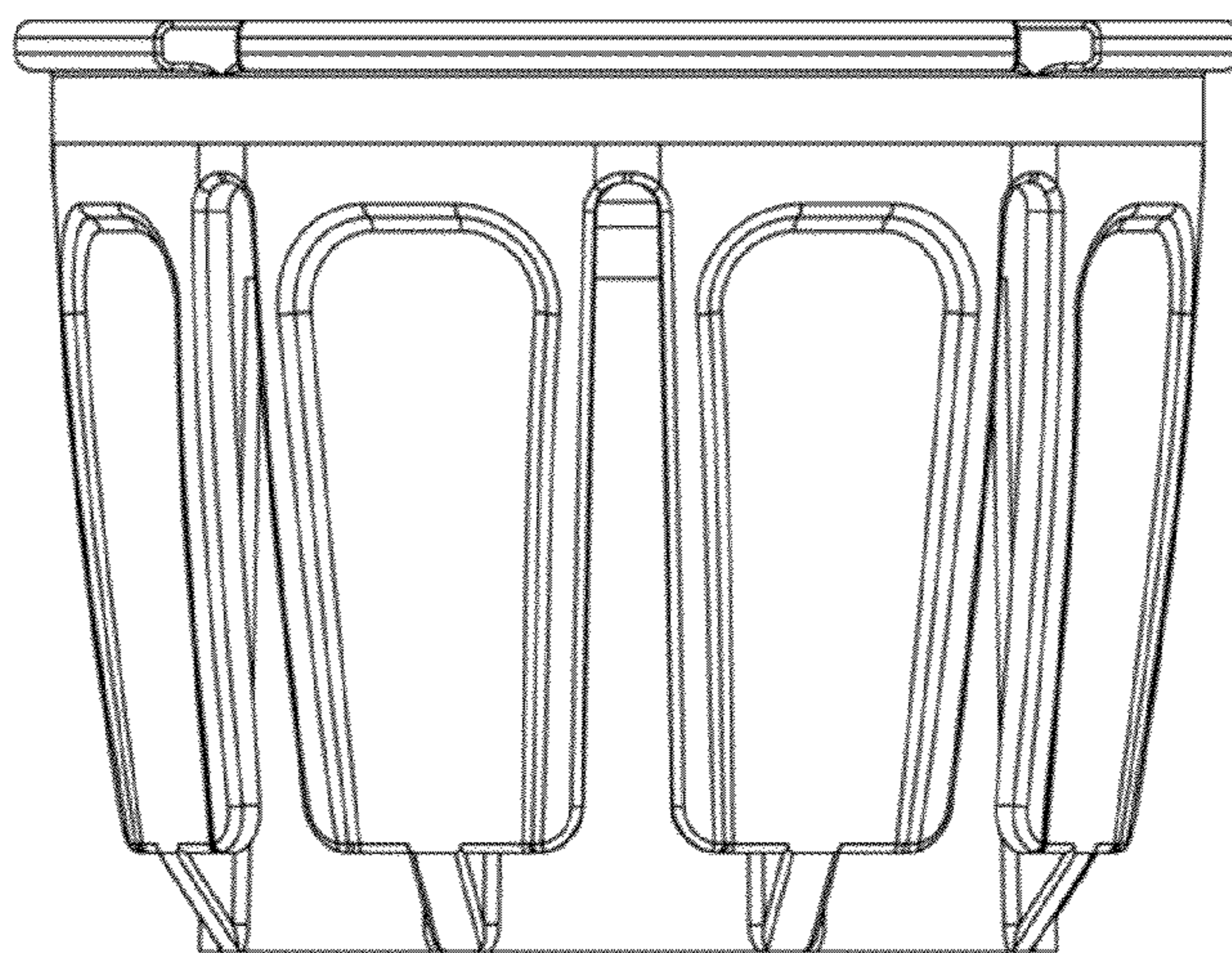


FIG. 4

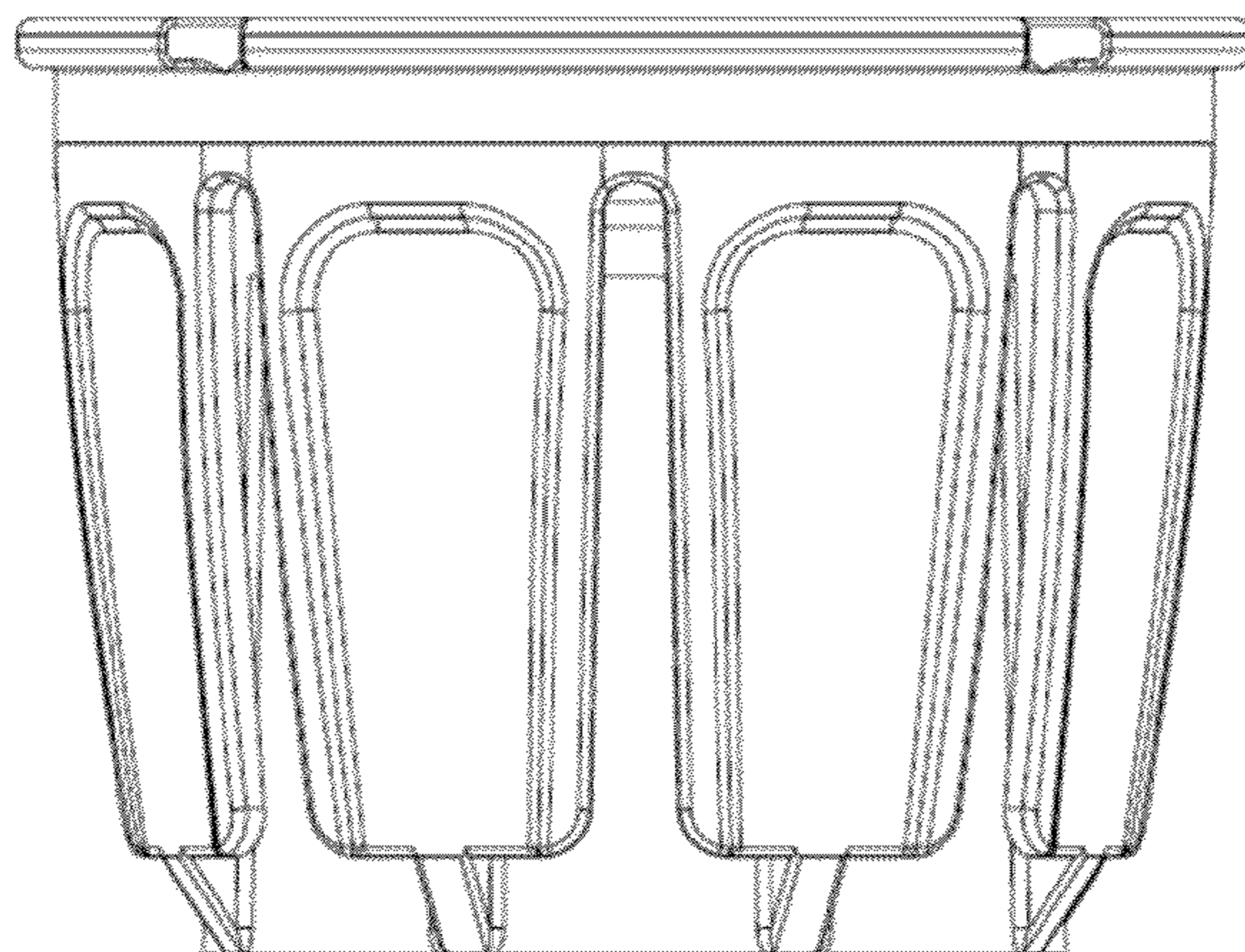


FIG. 5

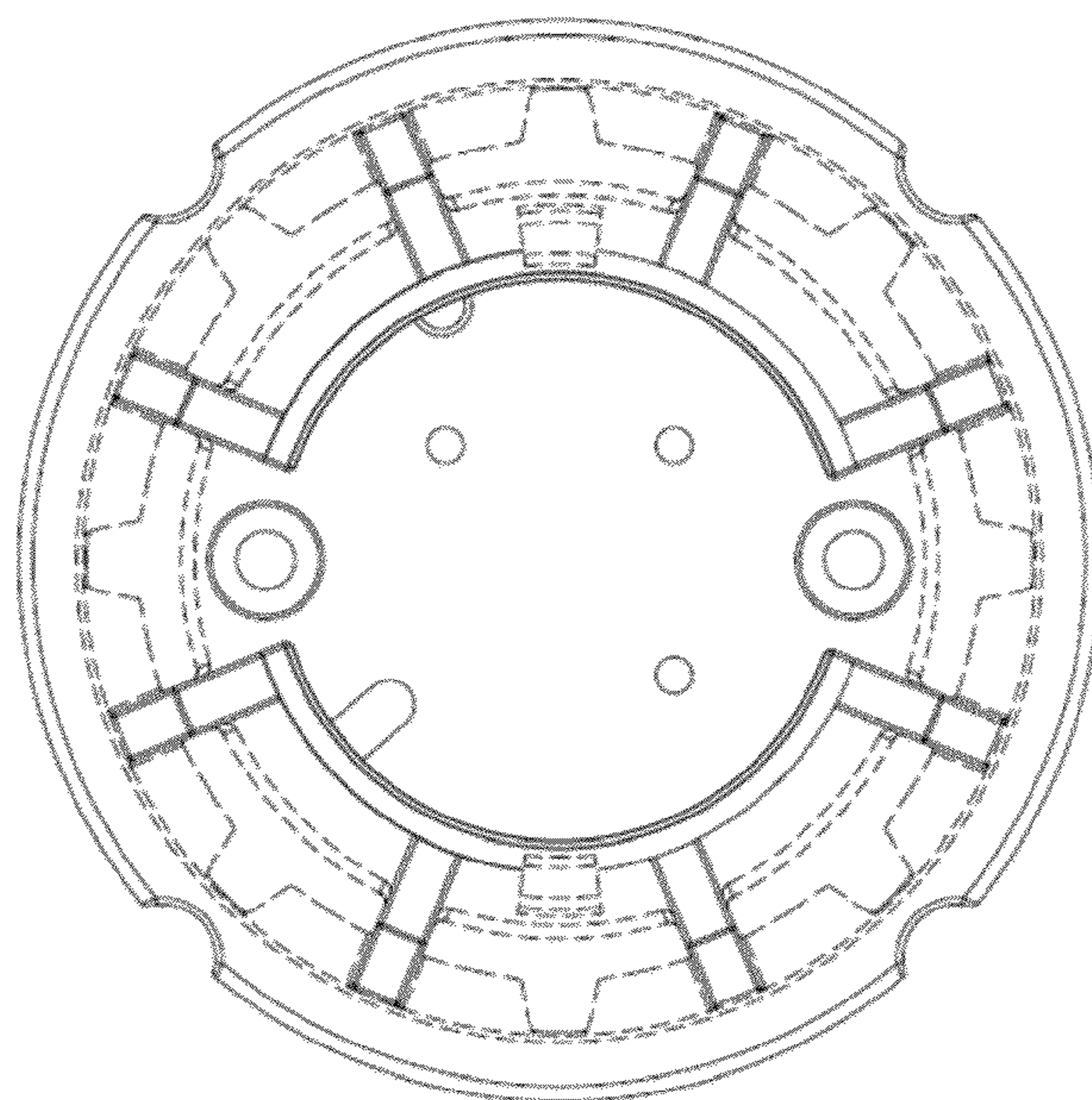


FIG. 6

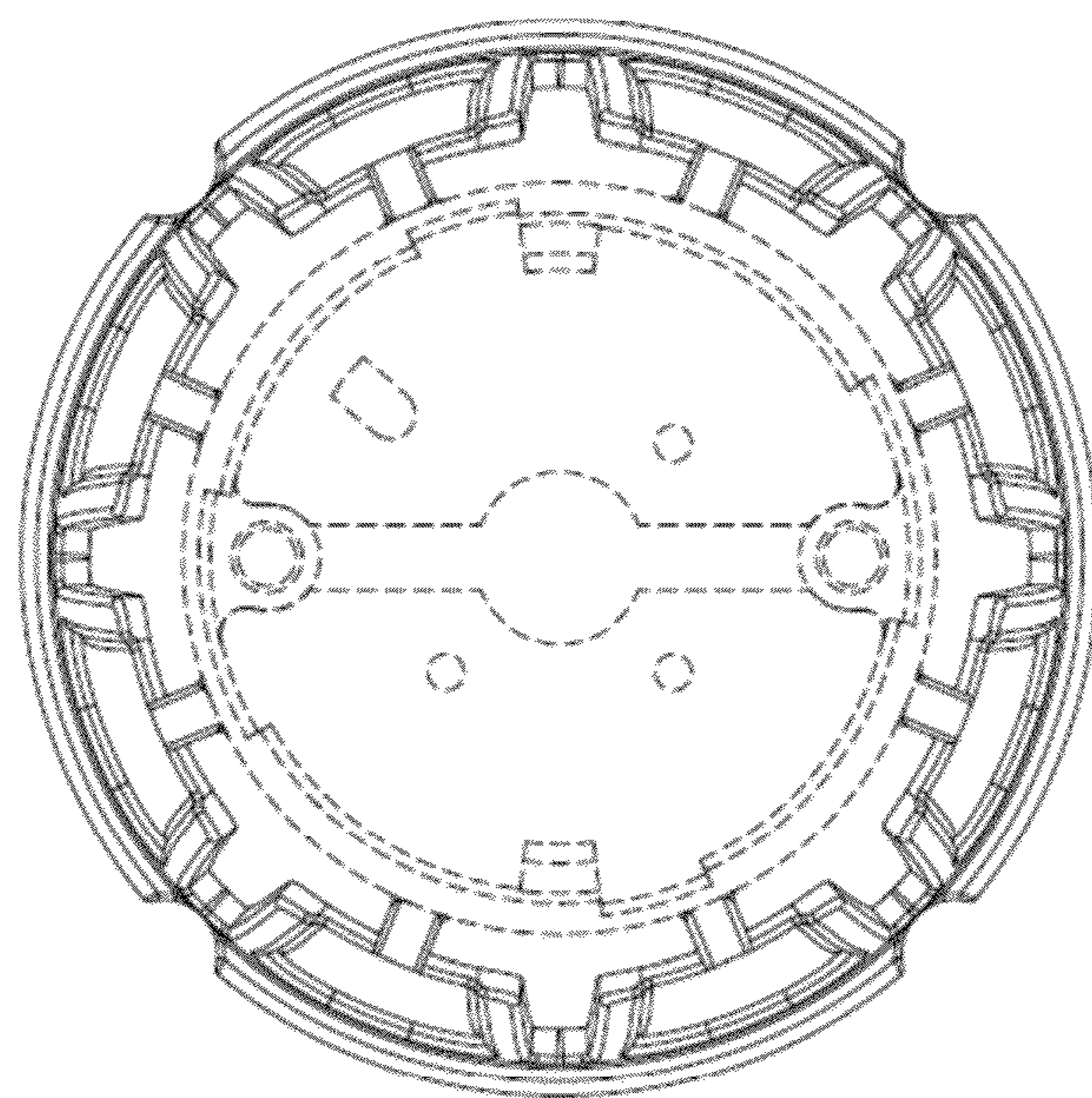


FIG. 7