



US00D700576S

(12) **United States Design Patent**  
**Torma**

(10) **Patent No.:** **US D700,576 S**  
(45) **Date of Patent:** **\*\* Mar. 4, 2014**

(54) **CONNECTOR**

(75) Inventor: **Andreas Torma**, Dorsten (DE)

(73) Assignee: **Multi-Holding AG**, Allschwil (CH)

(\*\*) Term: **14 Years**

(21) Appl. No.: **29/420,545**

(22) Filed: **May 10, 2012**

(30) **Foreign Application Priority Data**

Nov. 10, 2011 (WO) ..... DM/077 080

(51) **LOC (10) CL.** ..... **13-03**

(52) **U.S. Cl.**

USPC ..... **D13/133**

(58) **Field of Classification Search**

USPC ..... D13/133, 146, 147, 149, 151, 153, 154,  
D13/156, 199; 439/79, 248, 258, 274, 35,  
439/352, 353, 358, 359, 362, 378, 445, 447,  
439/578, 584, 585, 656, 66, 676, 677, 678,  
439/679, 68, 681, 682, 686

See application file for complete search history.

(56) **References Cited**

**U.S. PATENT DOCUMENTS**

D514,069 S \* 1/2006 Bachmann ..... D13/149  
D597,947 S \* 8/2009 Ono ..... D13/133  
D601,090 S \* 9/2009 Vigorito et al. .... D13/133  
D605,595 S \* 12/2009 Thomas ..... D13/133

D670,649 S \* 11/2012 Ebihara ..... D13/133  
D673,118 S \* 12/2012 Giefers et al. .... D13/133  
D673,500 S \* 1/2013 Feige et al. .... D13/133  
D678,838 S \* 3/2013 Henrink et al. .... D13/133  
D682,209 S \* 5/2013 Henrink et al. .... D13/133  
2011/0294335 A1 \* 12/2011 Sagdic et al. .... 439/359  
2013/0034982 A1 \* 2/2013 Linder et al. .... 439/271

\* cited by examiner

*Primary Examiner* — Thomas Johannes

(74) *Attorney, Agent, or Firm* — Sughrue Mion, PLLC

(57) **CLAIM**

The ornamental design for a connector, as shown and described.

**DESCRIPTION**

FIG. 1 is a front elevation view of a connector showing my new design;

FIG. 2 is a left perspective view towards the top thereof;

FIG. 3 is a right perspective view towards the top thereof;

FIG. 4 is a left side view thereof;

FIG. 5 is a top plan view thereof;

FIG. 6 is a right side view thereof;

FIG. 7 is a rear elevation view thereof; and,

FIG. 8 is bottom plan view thereof.

The broken line portion of the figure drawings is included to show unclaimed subject matter only and forms no part of the claimed design.

**1 Claim, 8 Drawing Sheets**

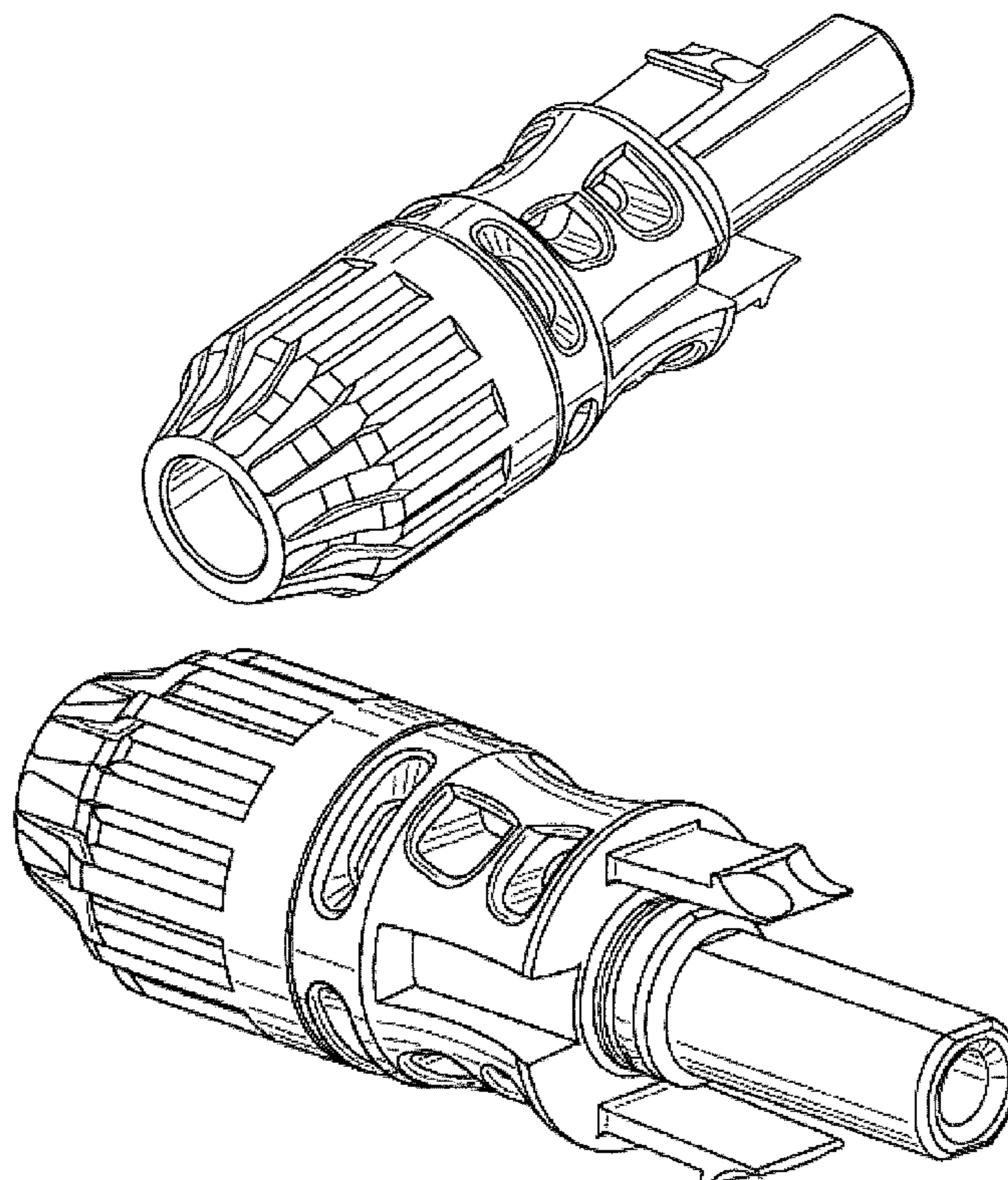


FIG. 1

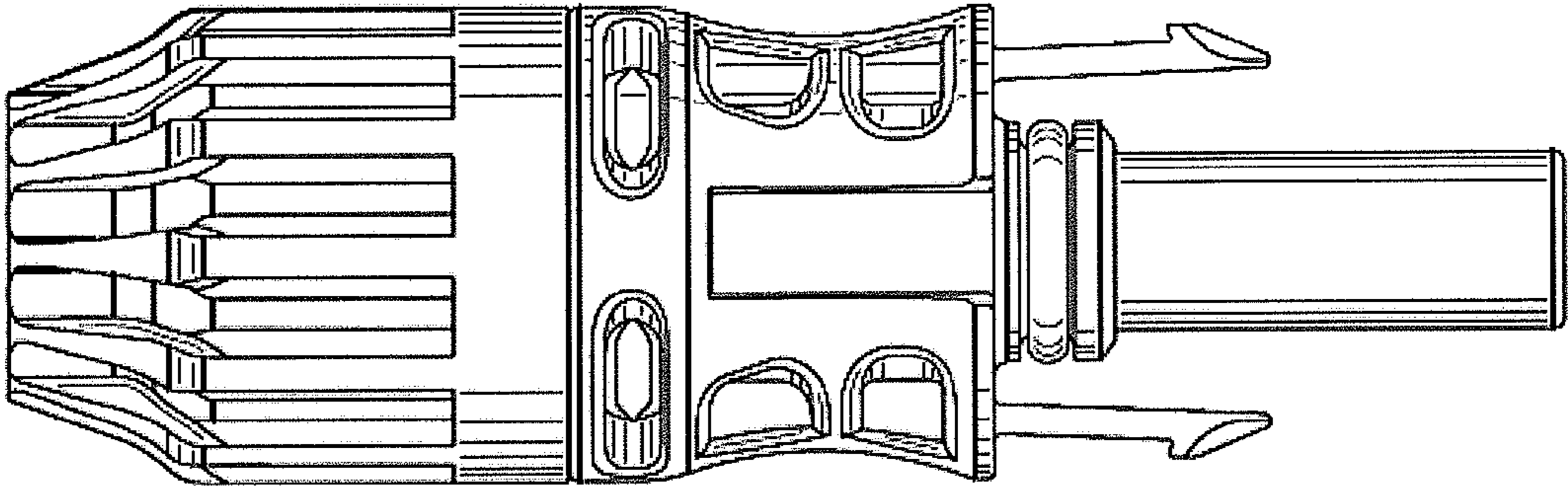


FIG. 2

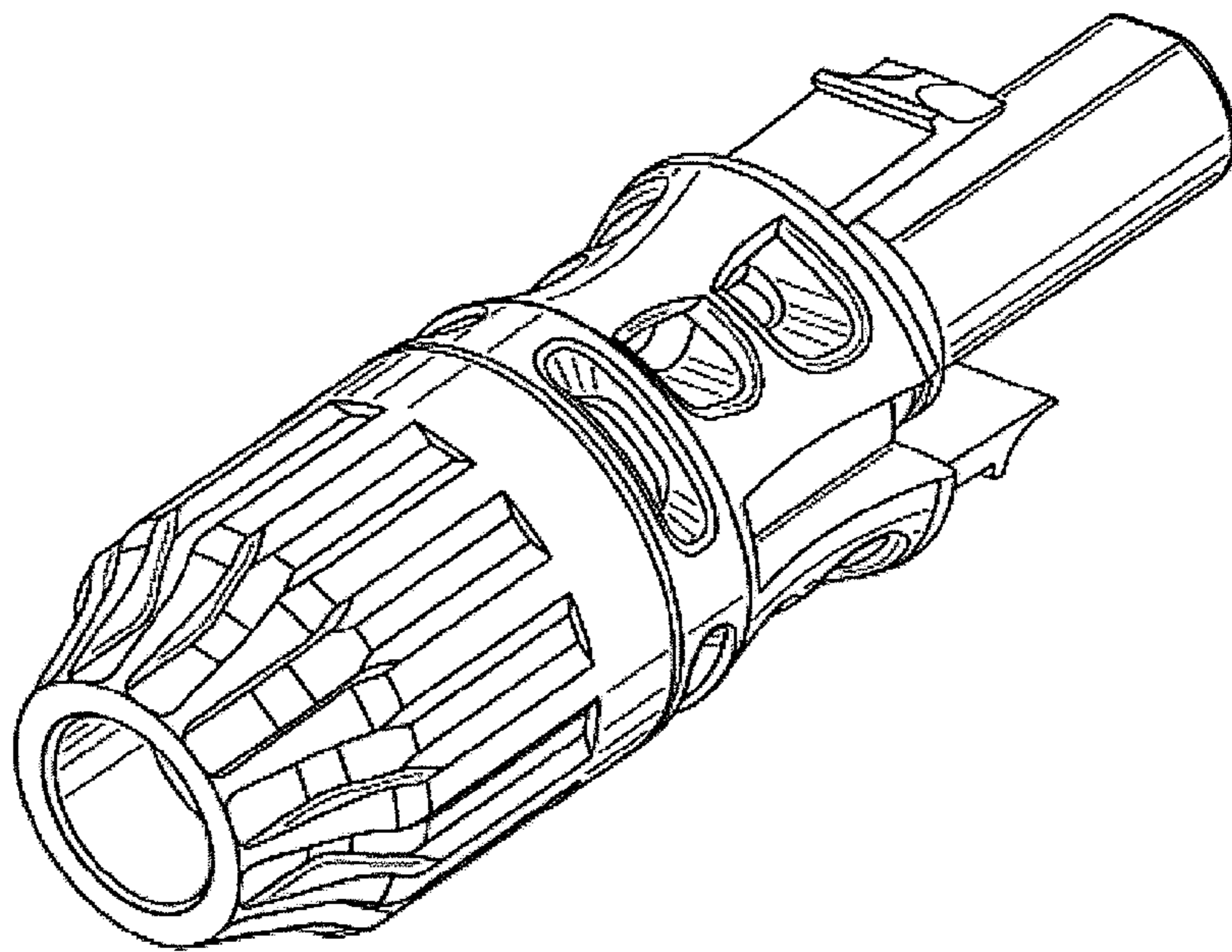


FIG. 3

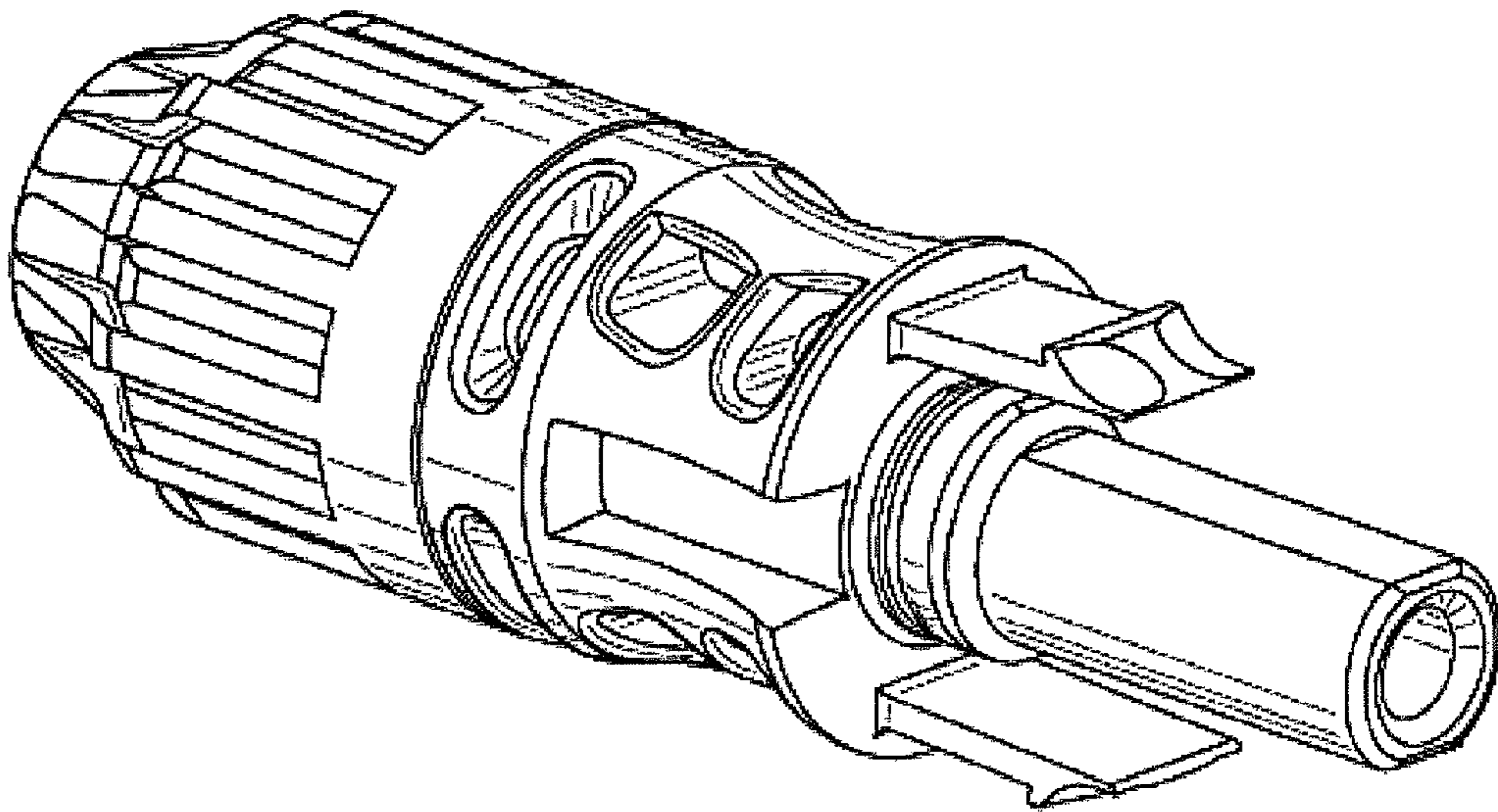


FIG. 4

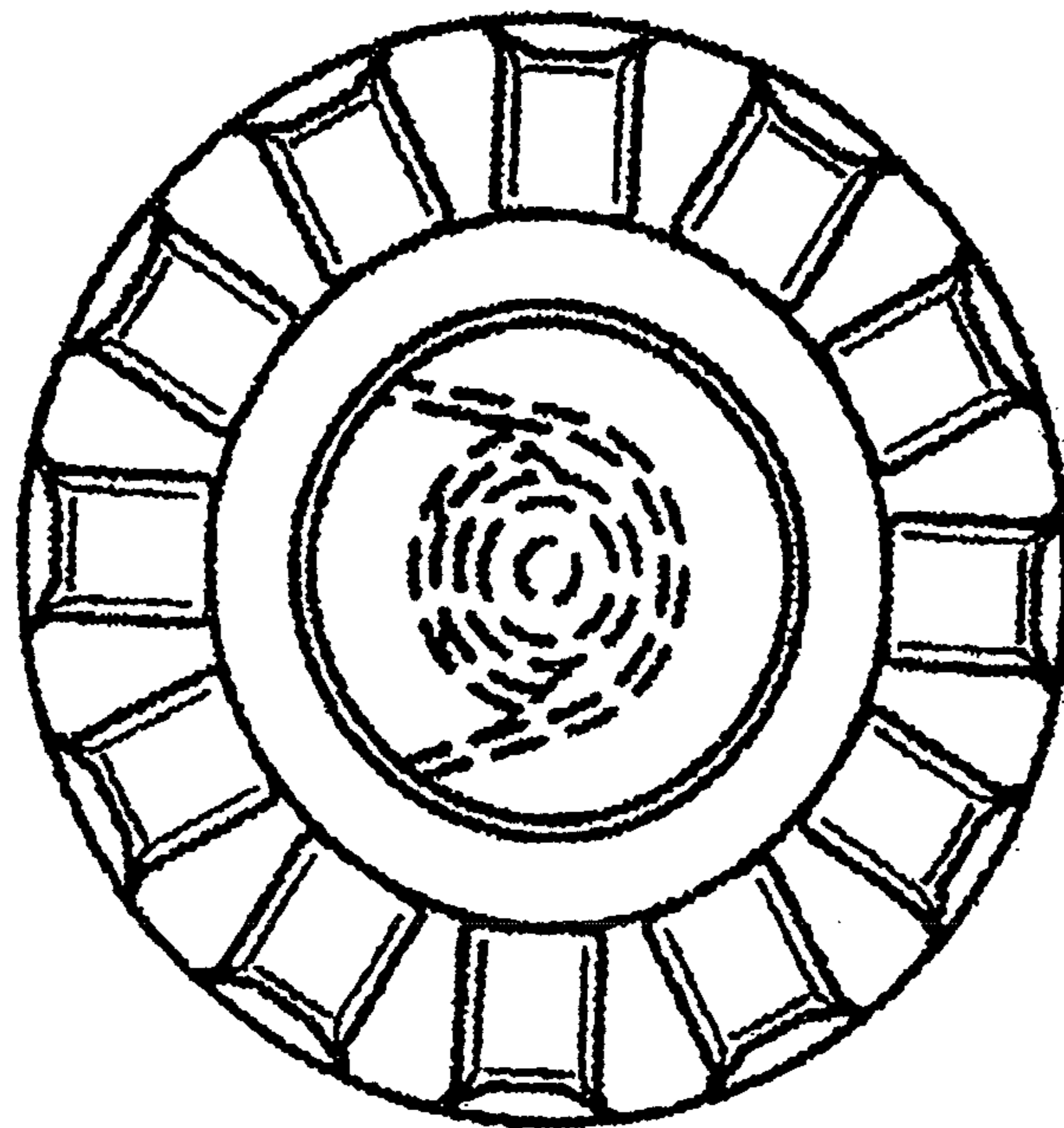
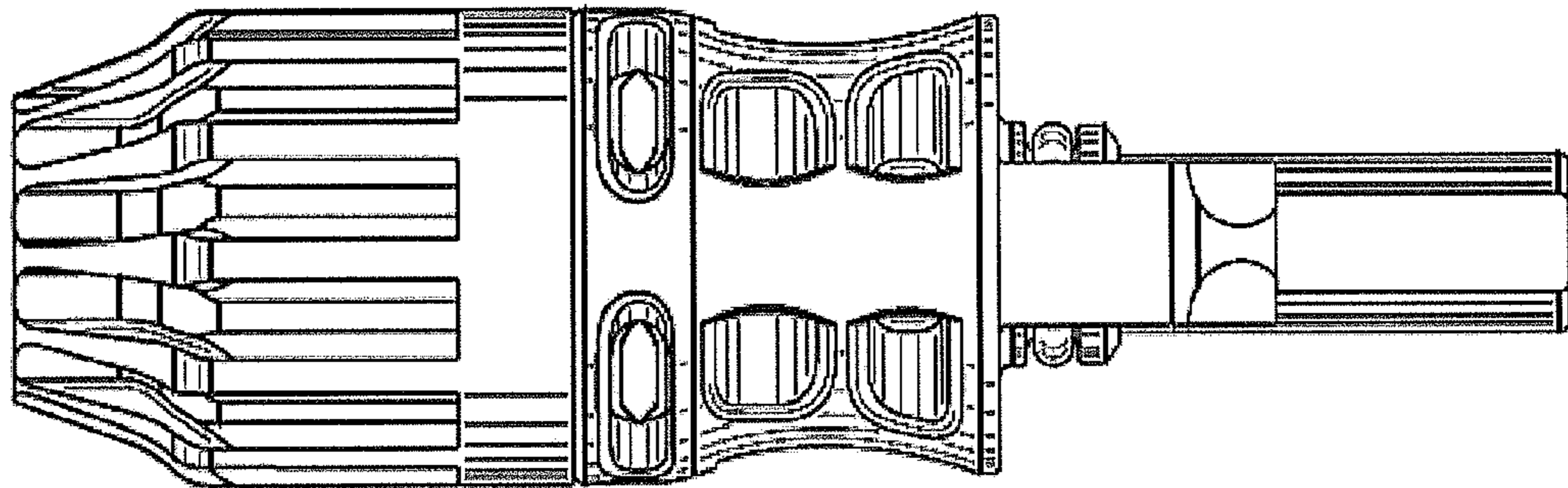


FIG. 5



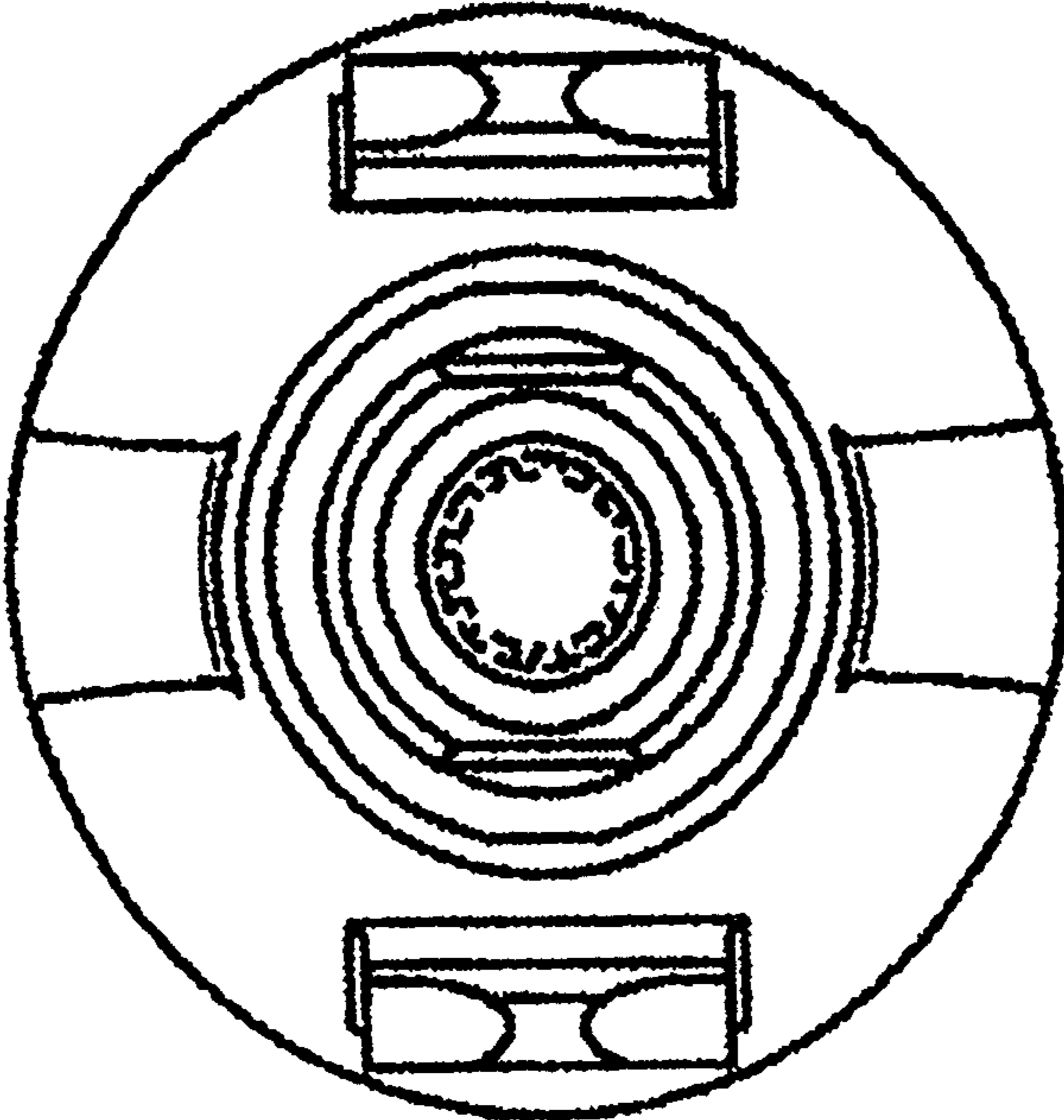


FIG. 6

FIG. 7

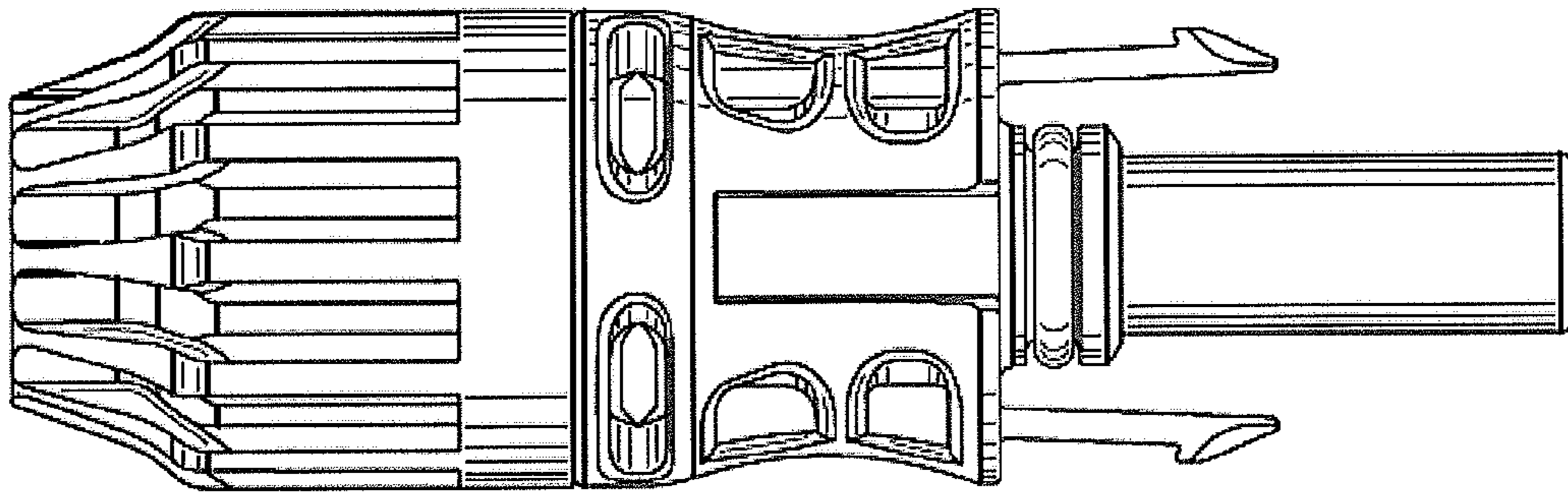




FIG. 8

