



US00D700575S

(12) **United States Design Patent**
Andersson

(10) **Patent No.:** **US D700,575 S**
(45) **Date of Patent:** **** Mar. 4, 2014**

(54) **COMBINATION ELECTRIC MOTOR AND GENERATOR**

(75) Inventor: **Jan Andersson**, Erlangen (DE)

(73) Assignee: **Siemens Aktiengesellschaft**, München (DE)

(**) Term: **14 Years**

(21) Appl. No.: **29/390,868**

(22) Filed: **Apr. 29, 2011**

(30) **Foreign Application Priority Data**

Oct. 29, 2010 (EM) 001242309

(51) **LOC (10) Cl.** **13-01**

(52) **U.S. Cl.**
USPC **D13/114**

(58) **Field of Classification Search**

USPC D13/112, 113, 114, 122, 199; D15/3, 5,
D15/199; 74/606 R, 609; 310/10, 40 R, 42,
310/51, 52, 58, 64, 71, 80, 83, 85, 88, 89,
310/91, 109, 236, 239, 254; 318/245, 255;
322/16, 39; 361/688, 704, 709;
29/596-598

See application file for complete search history.

(56) **References Cited**

U.S. PATENT DOCUMENTS

D198,375 S * 6/1964 Stewart et al. D13/112
D236,005 S * 7/1975 Baumann D13/114

D268,022 S * 2/1983 Lenz et al. D13/122
D306,009 S * 2/1990 Mintz et al. D13/112
D314,742 S * 2/1991 Sieber D13/114
D336,890 S * 6/1993 Hirose et al. D13/112
6,087,744 A * 7/2000 Glauning 310/58
D568,811 S * 5/2008 Andersson et al. D13/114
D574,325 S * 8/2008 Naghshineh D13/114
D576,941 S * 9/2008 Evon et al. D13/112
D587,648 S * 3/2009 Lannoch D13/112
D610,088 S * 2/2010 Becker et al. D13/114
7,687,945 B2 * 3/2010 Matin et al. 310/64
D618,615 S * 6/2010 Basic et al. D13/114

* cited by examiner

Primary Examiner — Derrick Holland

(74) *Attorney, Agent, or Firm* — Henry M. Feiereisen LLC;
Ursula B. Day

(57) **CLAIM**

The ornamental design for a combination electric motor and generator, as shown and described.

DESCRIPTION

FIG. 1 is a front elevational view of a combination electric motor and generator showing my new design;
FIG. 2 is a rear elevational view thereof;
FIG. 3 is a top plan view thereof;
FIG. 4 is a bottom plan view thereof;
FIG. 5 is a right side elevational view thereof;
FIG. 6 is a left side elevational view thereof;
FIG. 7 is a front, side and top perspective view thereof; and,
FIG. 8 is a rear, side and top perspective view thereof.

1 Claim, 8 Drawing Sheets

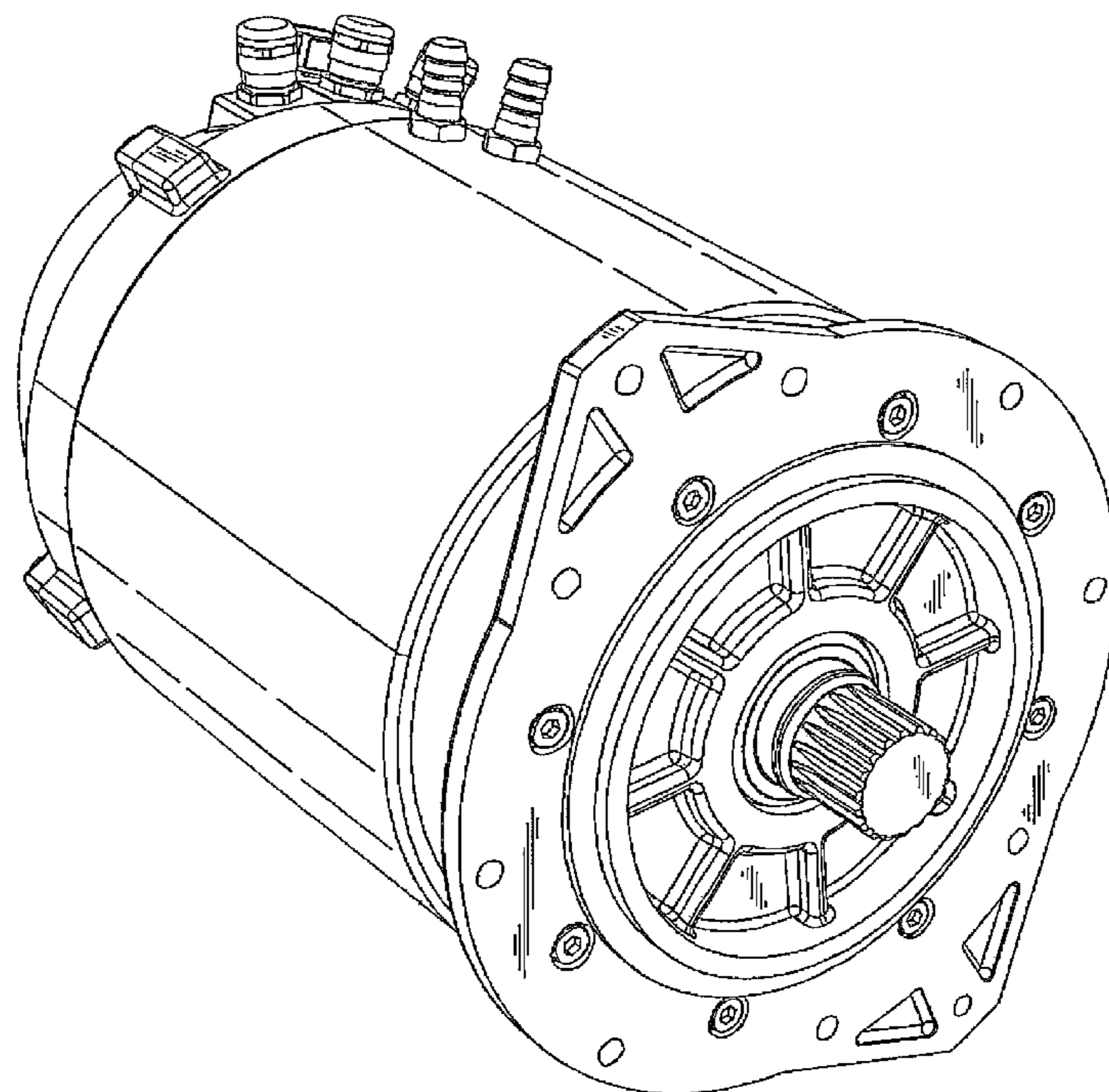


FIG 1

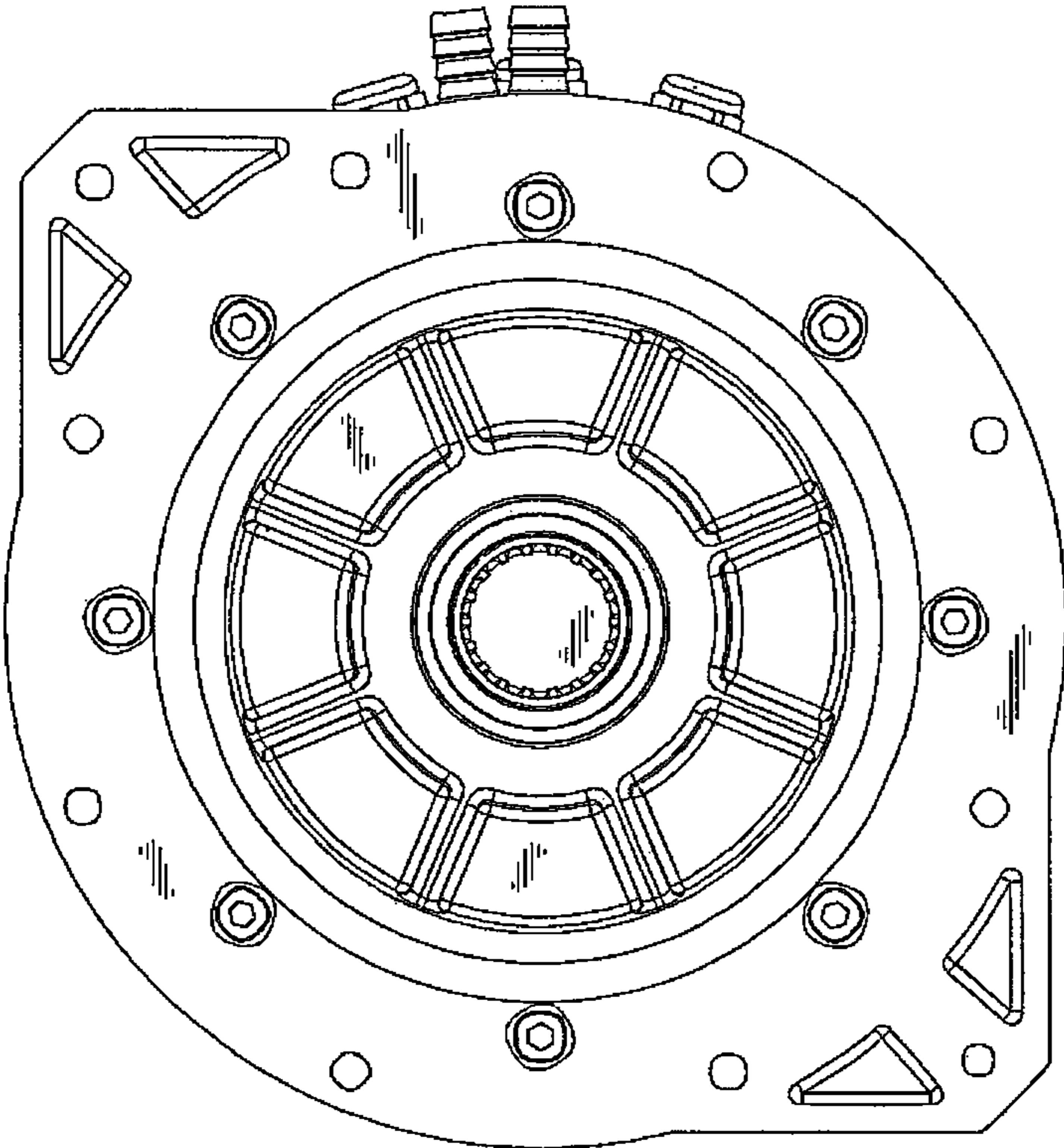


FIG 2

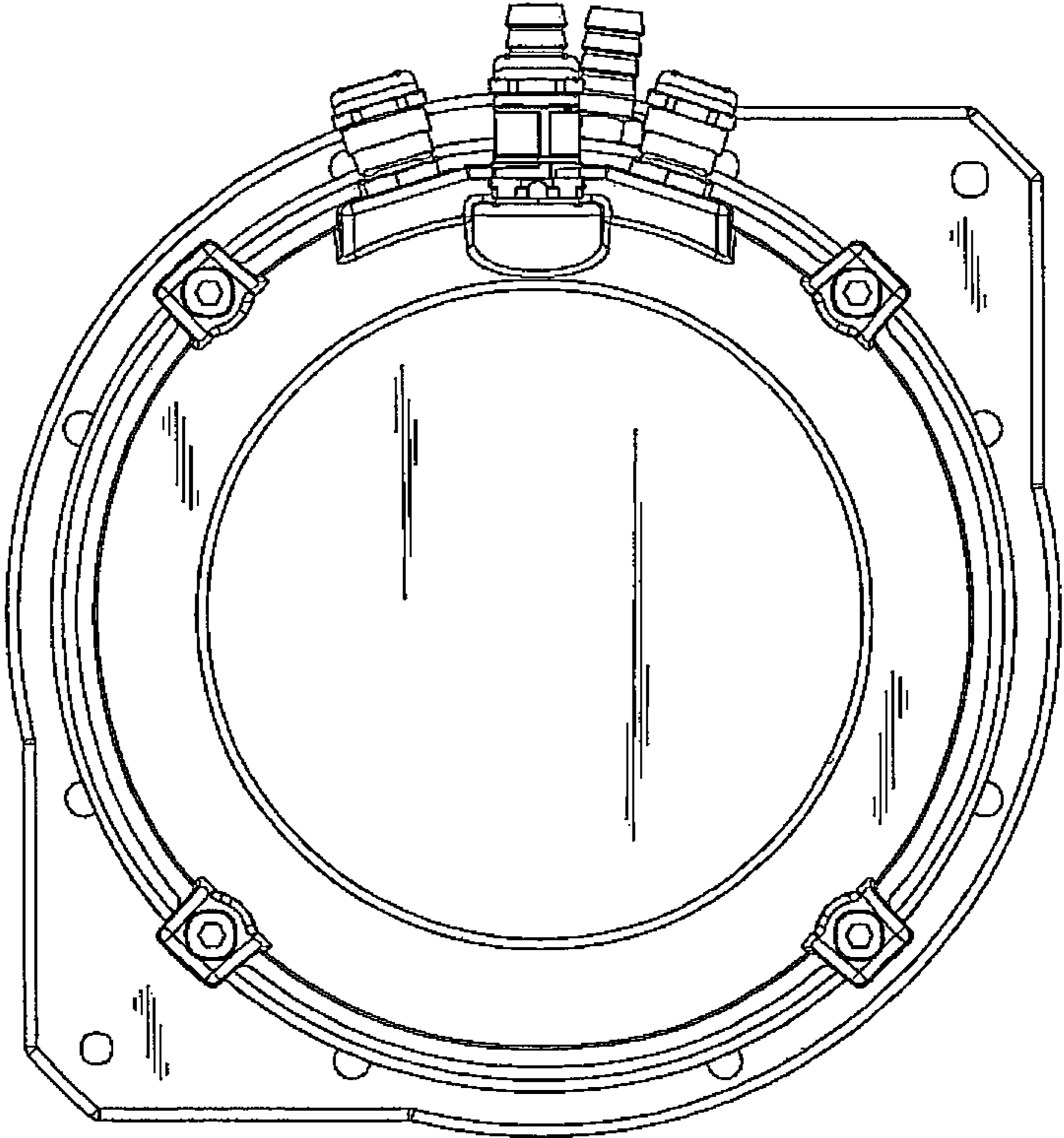


FIG 3

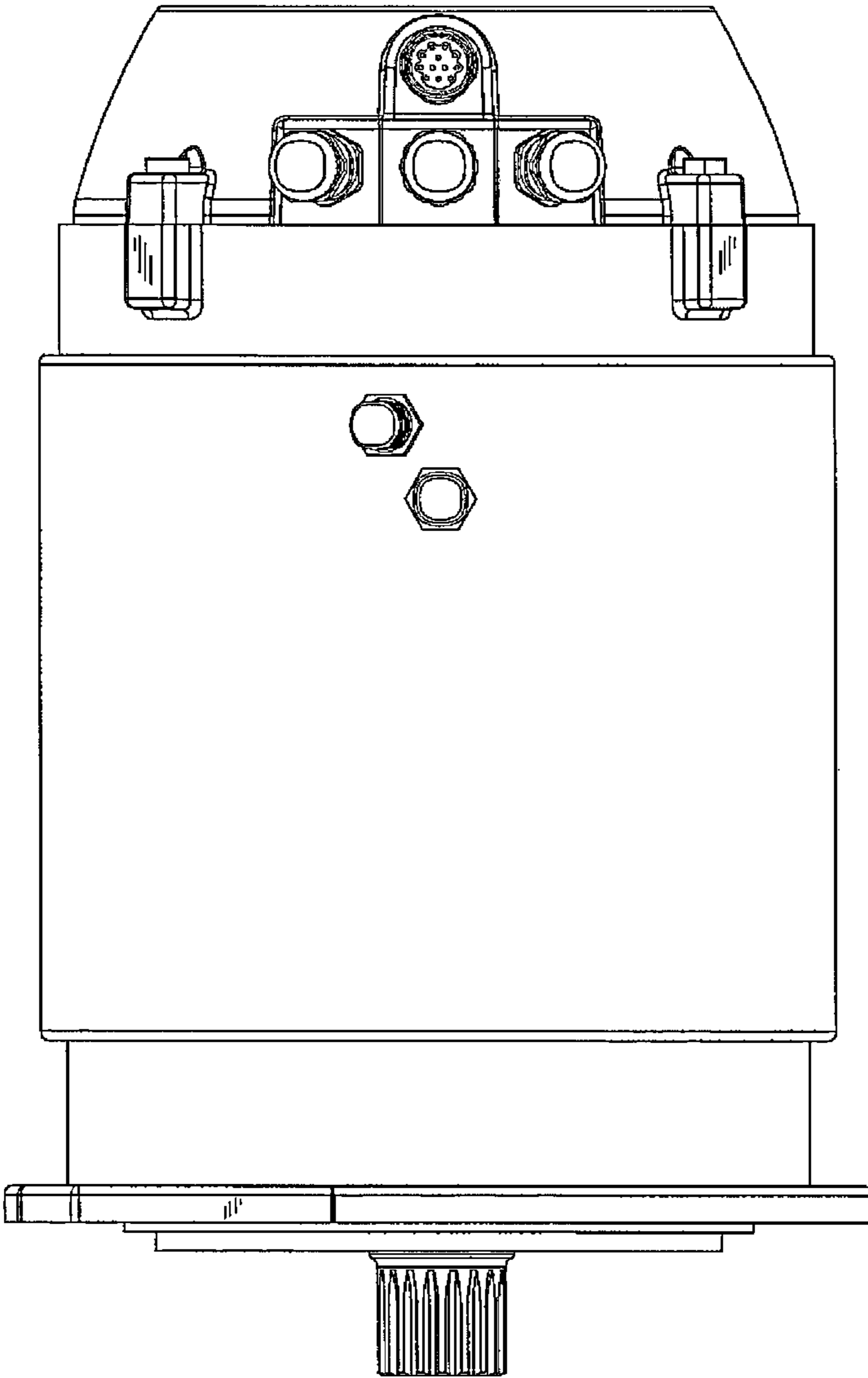


FIG 4

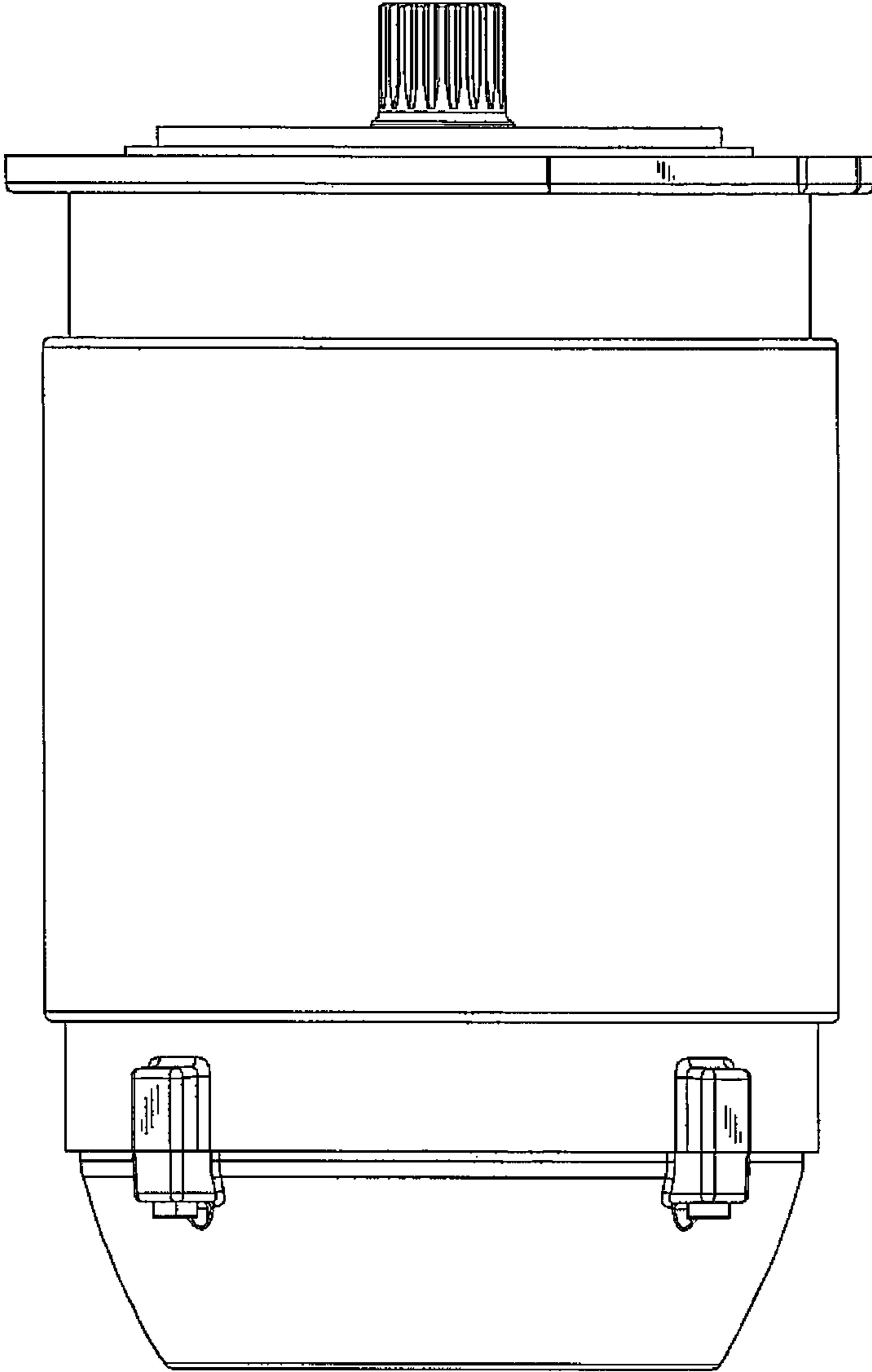


FIG 5

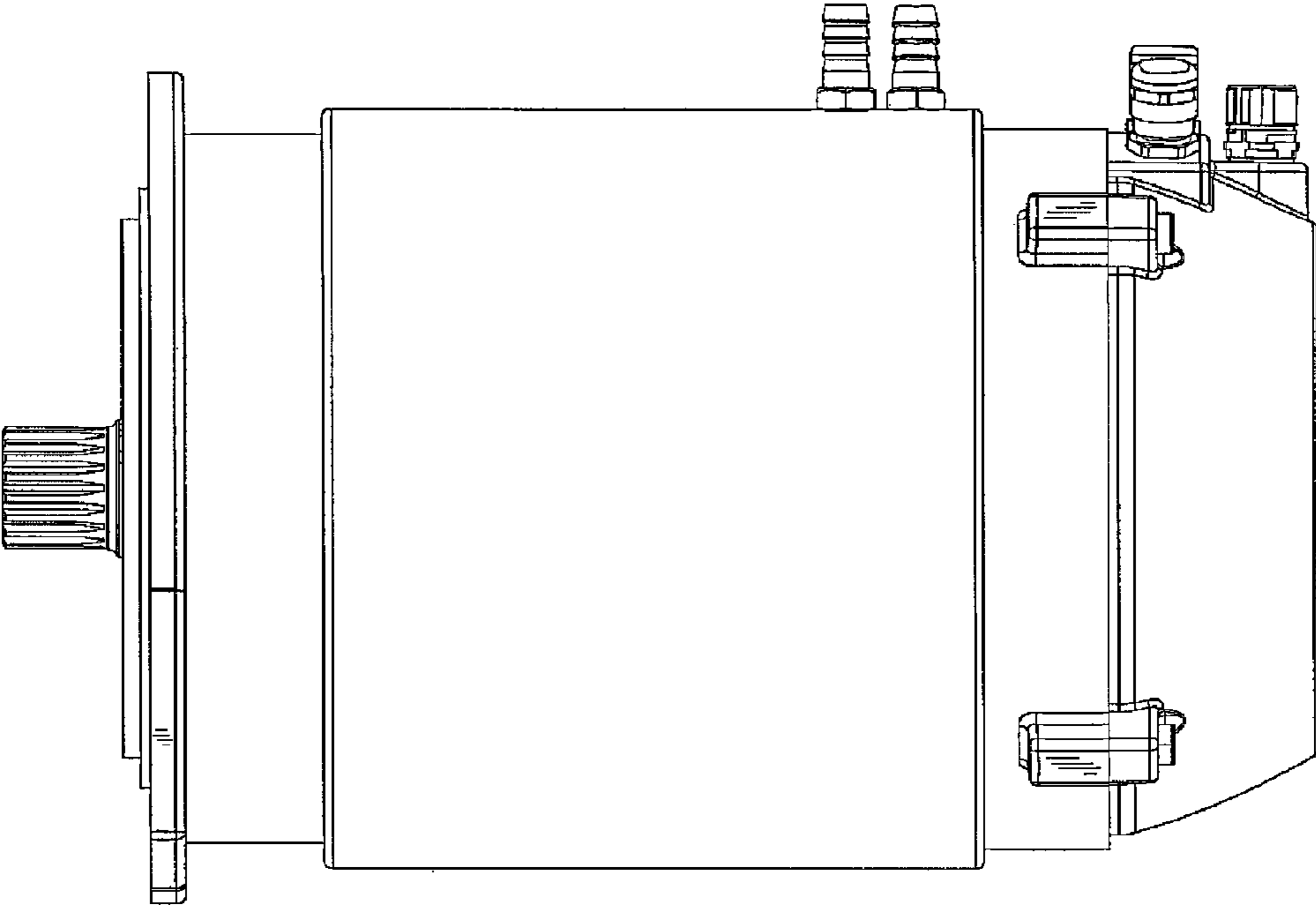


FIG 6

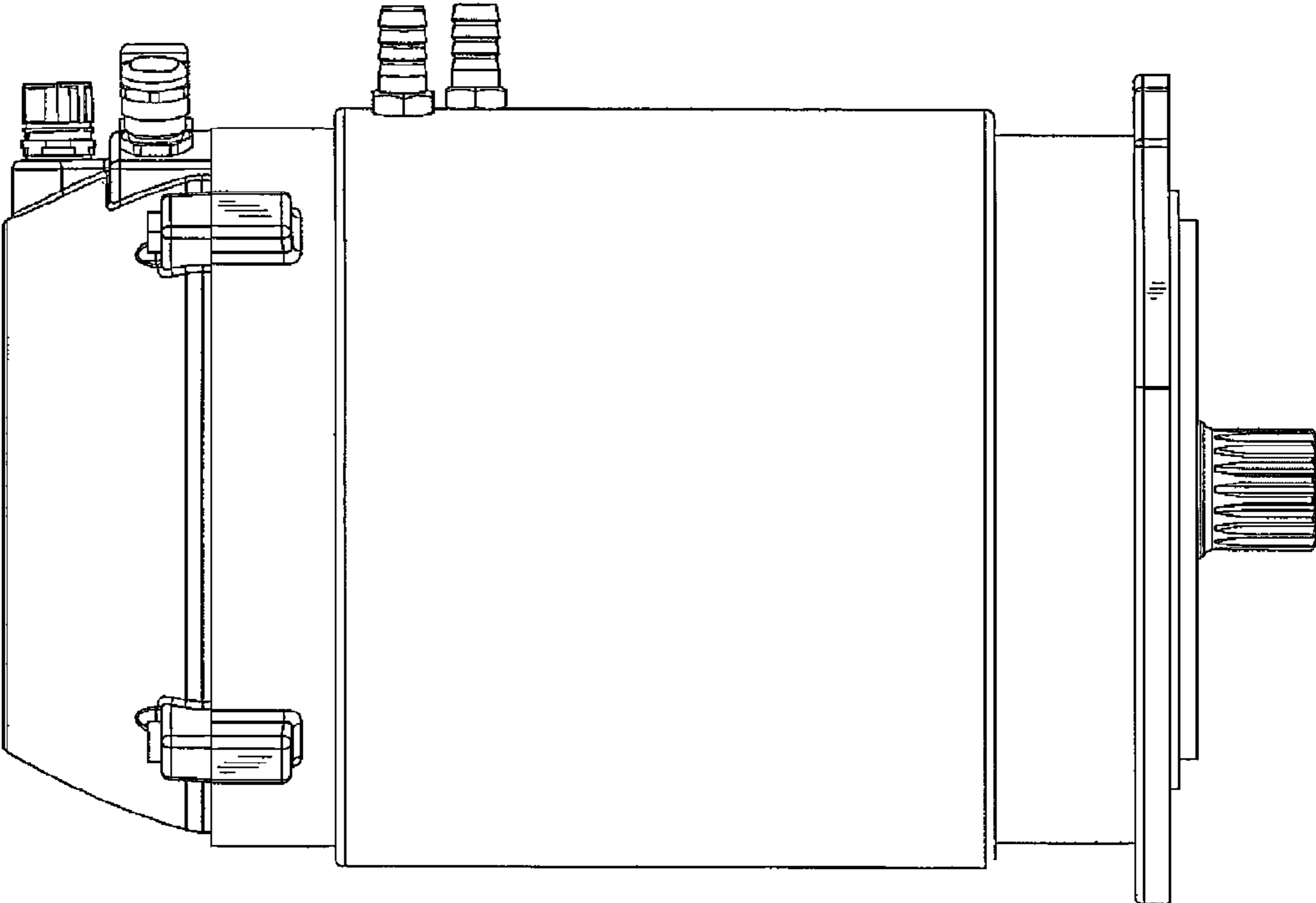


FIG 7

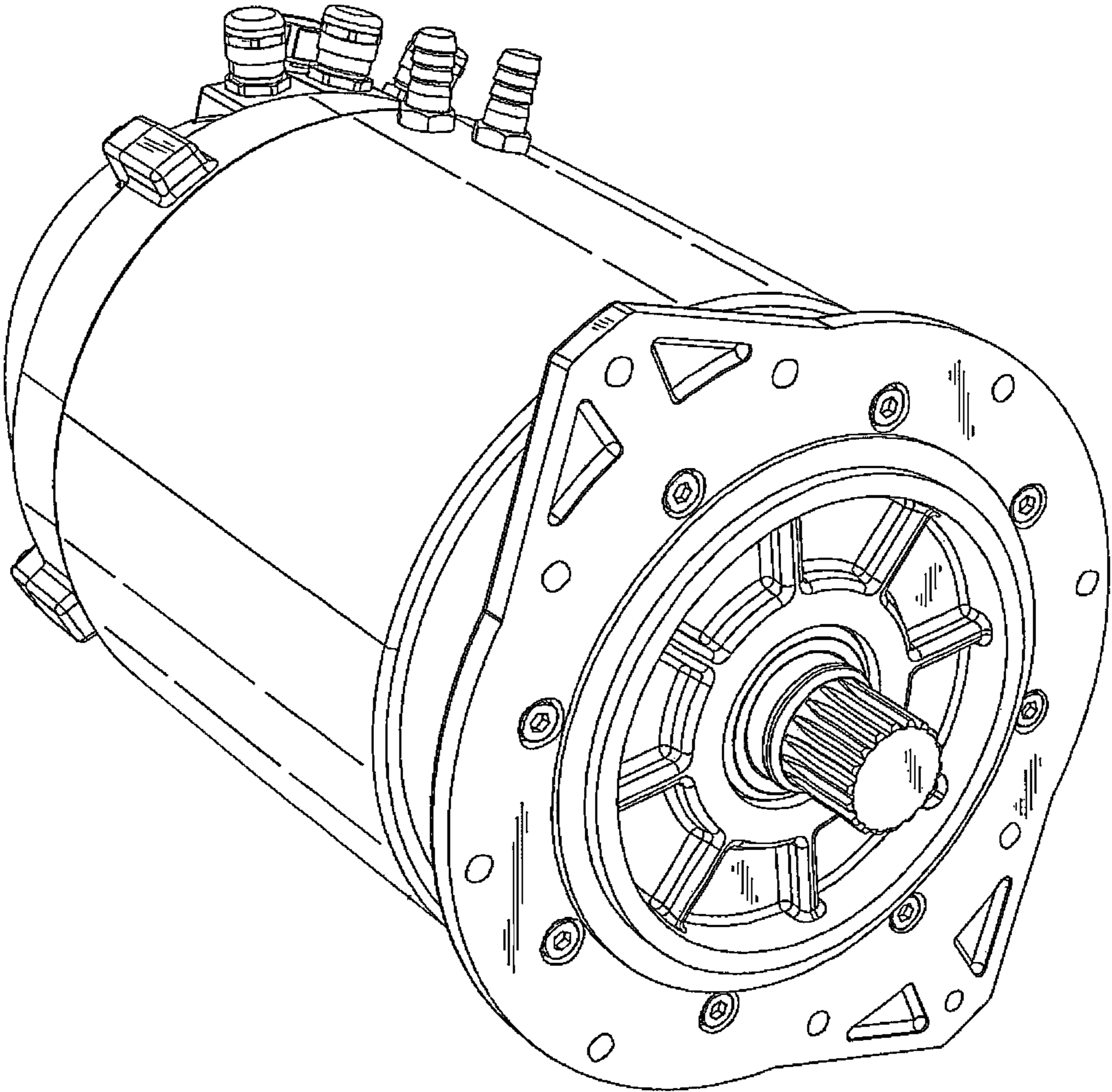


FIG 8

