

US00D700572S

(12) **United States Design Patent**
Esses

(10) **Patent No.:** **US D700,572 S**
(45) **Date of Patent:** **** Mar. 4, 2014**

- (54) **PIVOT CHARGER**
- (71) Applicant: **Premier Accessory Group LLC**,
Edison, NJ (US)
- (72) Inventor: **Alfred Esses**, Brooklyn, NY (US)
- (73) Assignee: **Premier Accessory Group LLC**,
Edison, NJ (US)

D643,366 S *	8/2011	Lu	D13/108
D644,990 S	9/2011	Tseng	
D652,384 S	1/2012	Lee	
D653,216 S *	1/2012	Cheng	D13/144
D654,873 S	2/2012	Au	
D655,676 S *	3/2012	Au	D13/144
D667,377 S *	9/2012	Chan	D13/144
D671,497 S	11/2012	Smith et al.	
D687,378 S *	8/2013	Iacovelli et al.	D13/110
2002/0119708 A1	8/2002	Eisenbraun	

- (**) Term: **14 Years**
- (21) Appl. No.: **29/476,042**
- (22) Filed: **Dec. 10, 2013**
- (51) **LOC (10) Cl.** **13-02**
- (52) **U.S. Cl.**
USPC **D13/108; D13/144**
- (58) **Field of Classification Search**
USPC D13/107-110, 118-119, 133, 144, 184,
D13/199; D14/155; 320/107-115; 439/300,
439/620.01, 620.26-620.28, 638, 668, 669,
439/675, 825; 363/146
See application file for complete search history.

FOREIGN PATENT DOCUMENTS

FR	20115286	5/2012
FR	20125776	5/2013
JP	D1271704	6/2006
KR	20040021259	7/2004
KR	20090000942	1/2009
KR	20090050249	11/2009
TW	D106934	10/2005
TW	D154038	6/2013
TW	D156833	11/2013

* cited by examiner

Primary Examiner — Rosemary K Tarcza
(74) *Attorney, Agent, or Firm* — Gottlieb, Rackman & Reisman, P.C.

(56) **References Cited**
U.S. PATENT DOCUMENTS

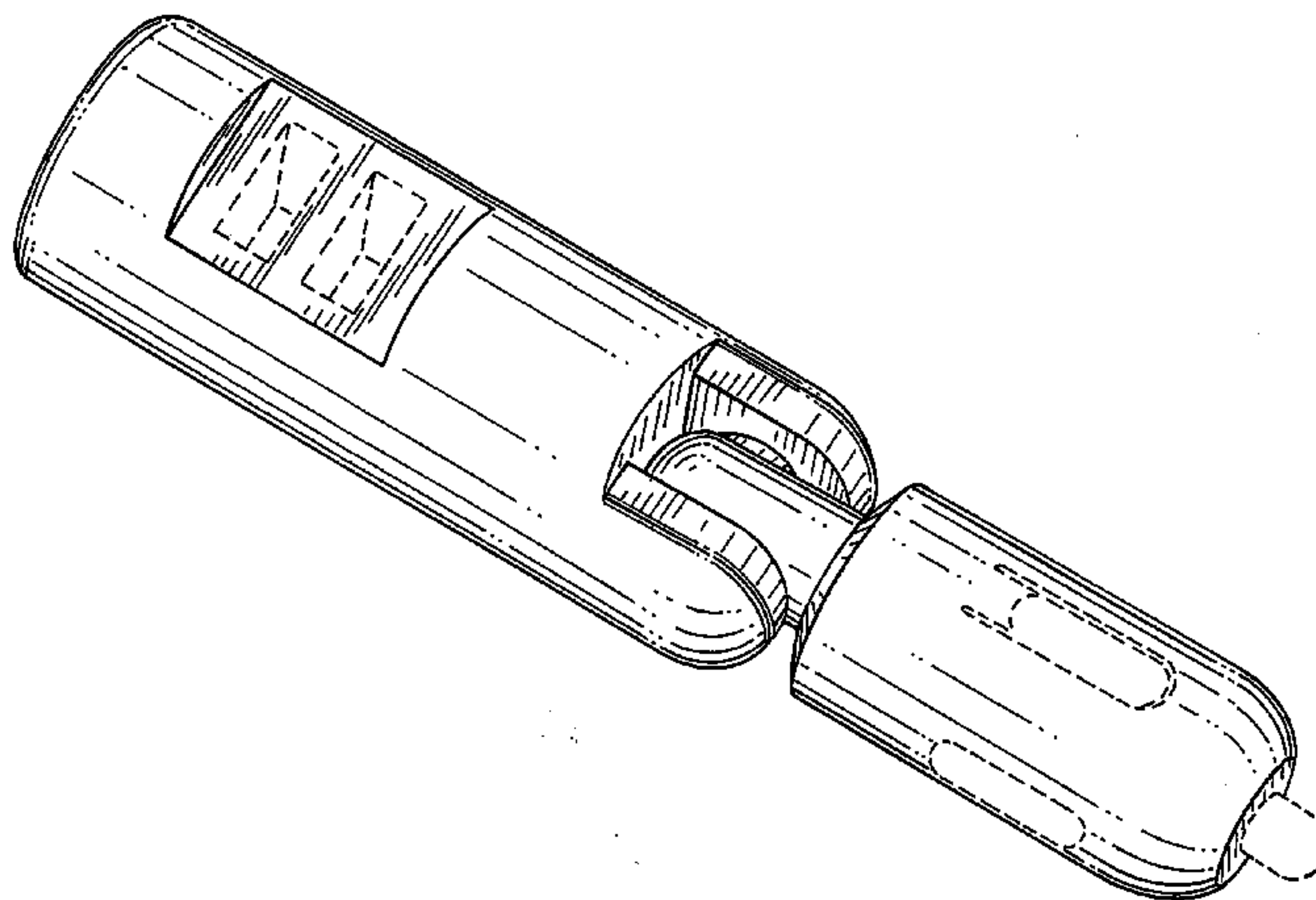
5,860,824 A	1/1999	Fan	
6,317,497 B1	11/2001	Ou	
6,612,875 B1	9/2003	Liao	
6,641,405 B2	11/2003	Chou	
6,811,435 B1	11/2004	Fan	
D507,532 S *	7/2005	Kajiwara et al.	D13/144
D541,742 S *	5/2007	Hussaini et al.	D13/110
D551,170 S *	9/2007	Hussaini et al.	D13/144
D559,776 S *	1/2008	Kim	D13/108
D611,417 S *	3/2010	Dong	D13/144
D613,692 S *	4/2010	Son et al.	D13/144
D614,137 S *	4/2010	Son et al.	D13/144
D624,498 S	9/2010	Chan	
D625,266 S *	10/2010	Bau	D13/144
D625,267 S	10/2010	Tseng et al.	
D631,837 S	2/2011	Smith et al.	
D632,653 S *	2/2011	Wikel et al.	D13/144
D633,046 S	2/2011	Au	

(57) **CLAIM**
The ornamental design for a pivot charger, as shown and described.

DESCRIPTION

FIG. 1 is a front, top, right side perspective view of a pivot charger having the design of my invention;
FIG. 2 is a top plan view thereof;
FIG. 3 is a left side view thereof, where the left side and the right side are mirror images of each other;
FIG. 4 is a front side elevation view thereof;
FIG. 5 is a bottom plan view thereof;
FIG. 6 is a rear elevation view thereof; and,
FIG. 7 is a rear, top, right side perspective view thereof.
It being understood that the broken lines are for illustrative purposes only and form no part of the claimed design.

1 Claim, 4 Drawing Sheets



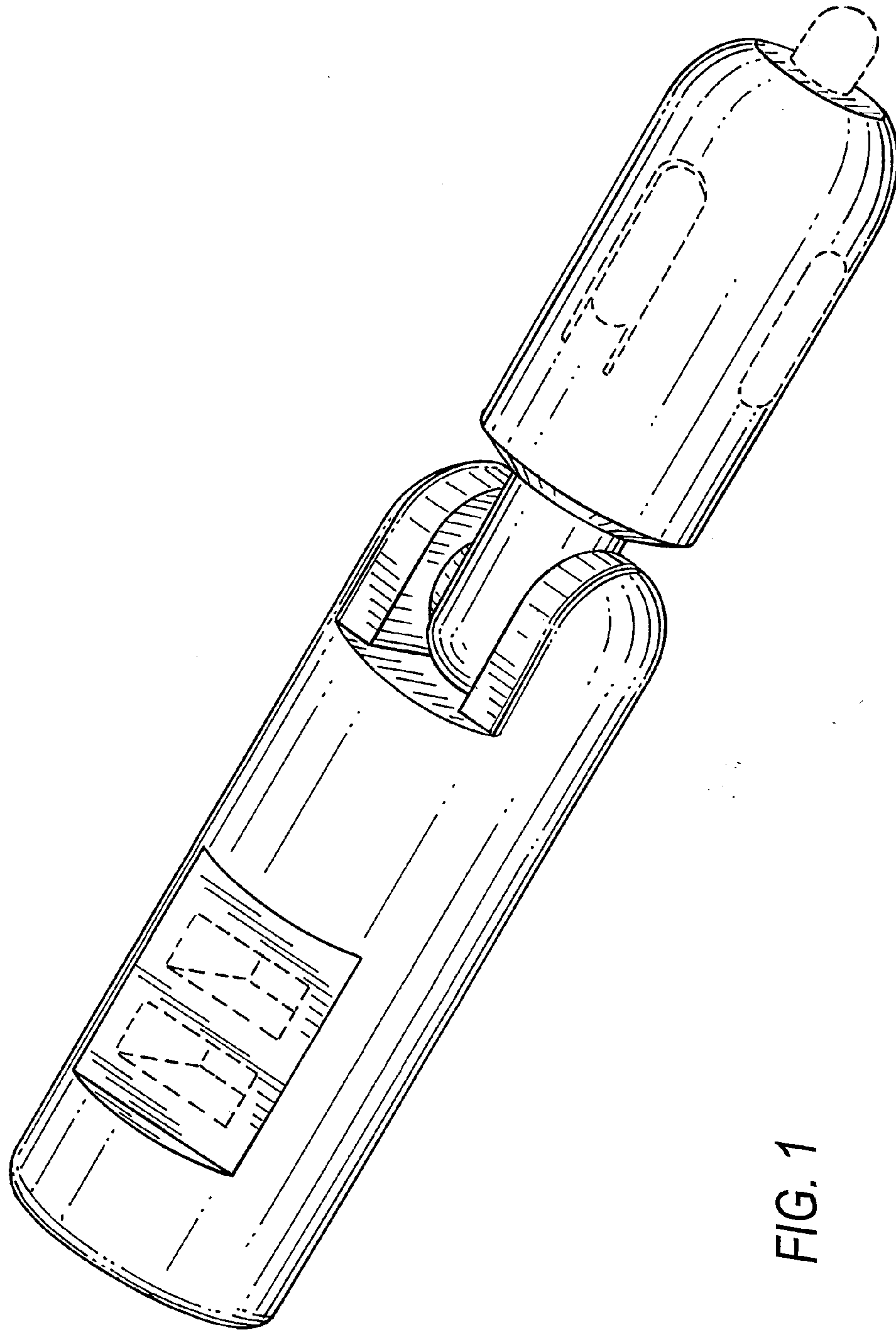


FIG. 1

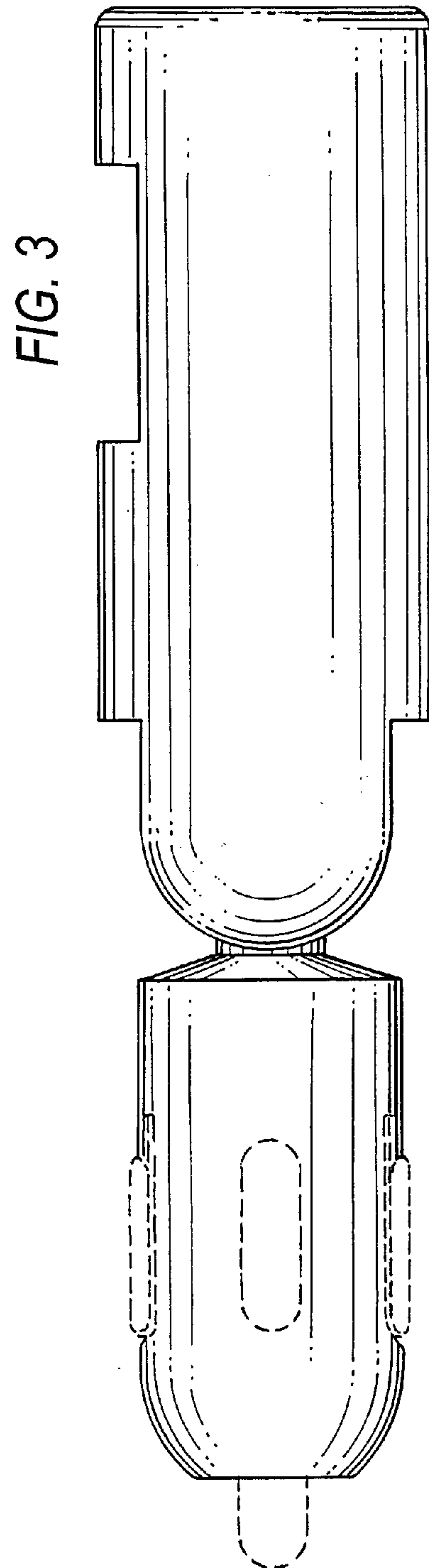
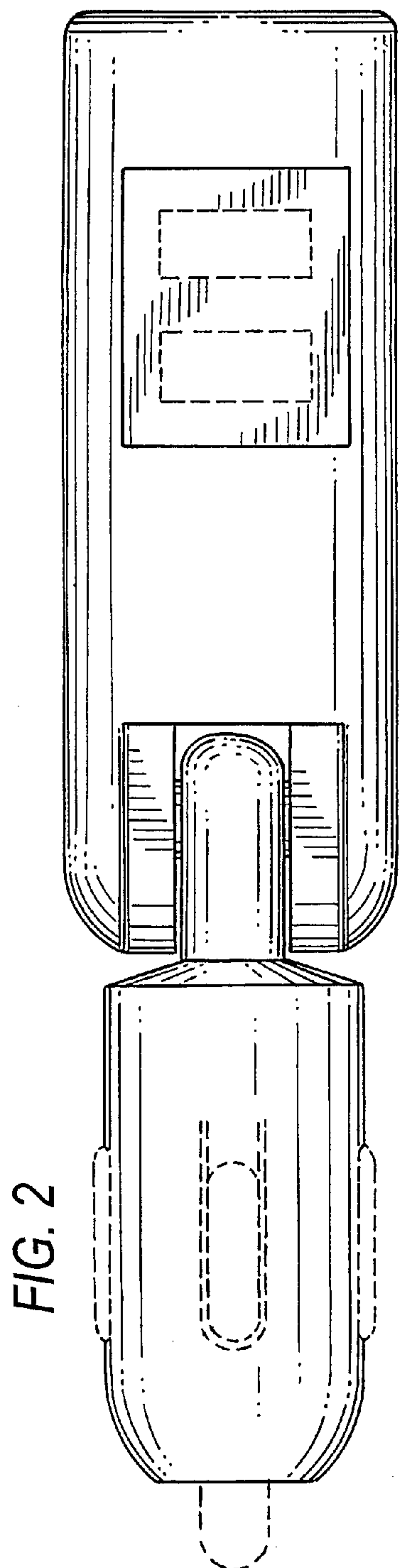


FIG. 4

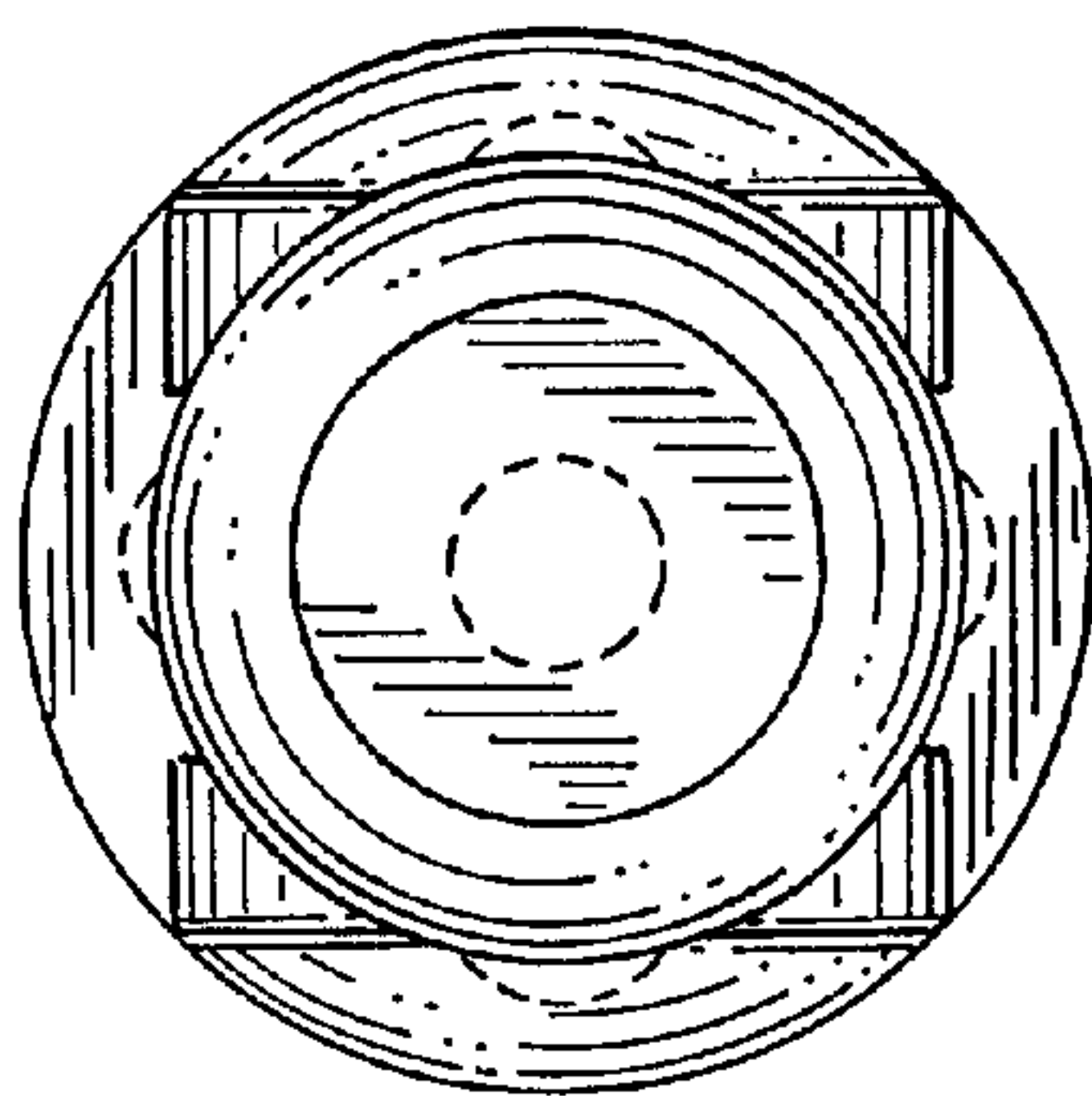


FIG. 6

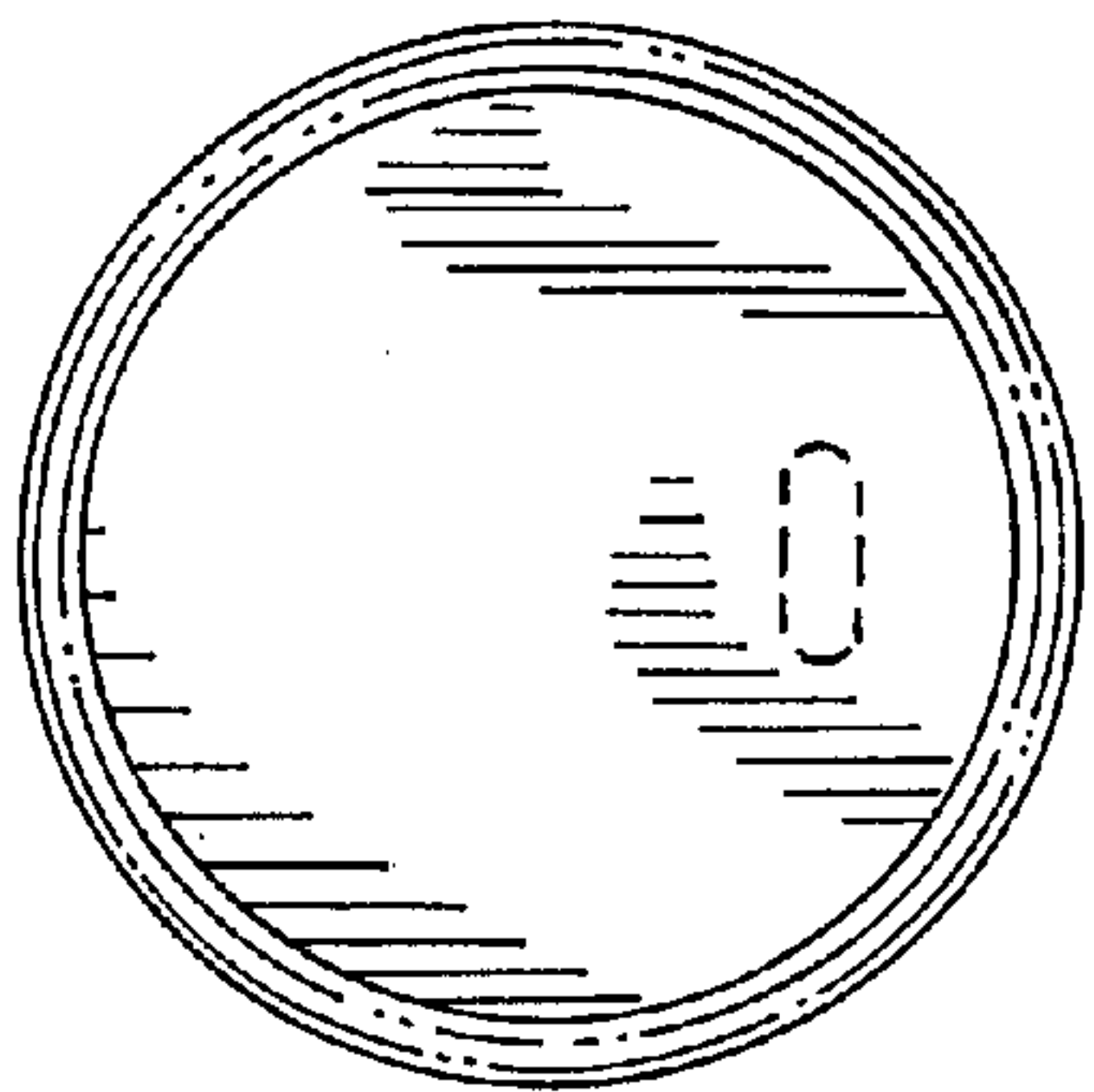
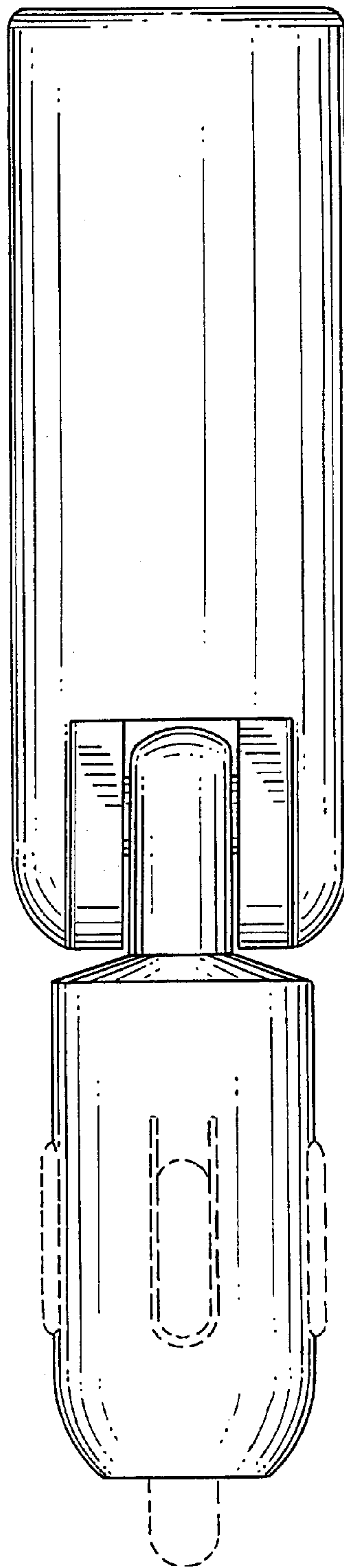


FIG. 5



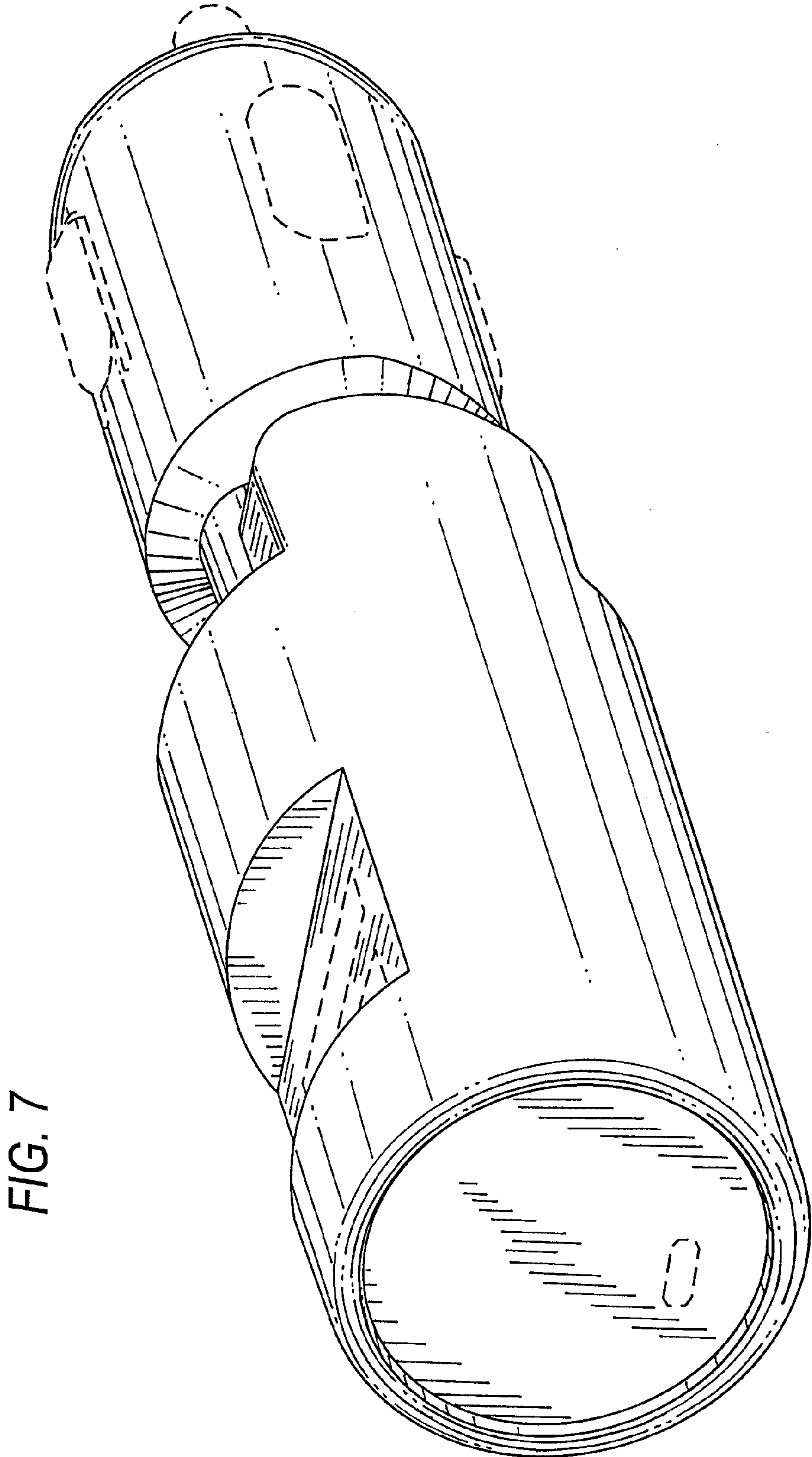


FIG. 7