



US00D700571S

(12) **United States Design Patent**
Guccione et al.

(10) **Patent No.:** **US D700,571 S**
(45) **Date of Patent:** **** *Mar. 4, 2014**

(54) **DEVICE BATTERY CHARGER**

(75) Inventors: **Darren S. Guccione**, Wheaton, IL (US);
Craig B. Lurey, El Dorado Hills, CA (US)

(73) Assignee: **Callpod, Inc.**, Chicago, IL (US)

(*) Notice: This patent is subject to a terminal disclaimer.

(**) Term: **14 Years**

(21) Appl. No.: **29/392,202**

(22) Filed: **May 18, 2011**

Related U.S. Application Data

(62) Division of application No. 29/350,391, filed on Nov. 16, 2009, now Pat. No. Des. 645,818.

(51) **LOC (10) Cl.** **13-02**

(52) **U.S. Cl.**
USPC **D13/108**

(58) **Field of Classification Search**
USPC D13/107-110, 118-119, 184, 199;
D14/251, 253, 432, 434; 320/107-115
See application file for complete search history.

(56) **References Cited**

U.S. PATENT DOCUMENTS

D433,994 S	11/2000	Jobs et al.
D467,539 S	12/2002	Kataoka
D468,305 S	1/2003	Ma et al.
D503,692 S	4/2005	Basta
D521,927 S	5/2006	Franck et al.
D525,583 S	7/2006	Vu
D526,973 S	8/2006	Gates et al.
D546,283 S	7/2007	Cho

(Continued)

Primary Examiner — Rosemary K Tarcza

(74) *Attorney, Agent, or Firm* — Blanchard & Associates

(57) **CLAIM**

The ornamental design for a device battery charger, as shown and described herein.

DESCRIPTION

FIG. 1 is an isometric view of a top, front, and left side of an embodiment of an ornamental design for a device battery charger;

FIG. 2 is a front elevational view of the device battery charger of FIG. 1;

FIG. 3 is a rear elevational view of the device battery charger of FIG. 1;

FIG. 4 is a left side elevational view of the device battery charger of FIG. 1;

FIG. 5 is a right side elevational view of the device battery charger of FIG. 1;

FIG. 6 is a top plan view of the device battery charger of FIG. 1;

FIG. 7 is a bottom plan view of the device battery charger of FIG. 1;

FIG. 8 is an isometric view of a top, front, and left side of an additional embodiment of an ornamental design for a device battery charger;

FIG. 9 is a front elevational view of the device battery charger of FIG. 8;

FIG. 10 is a rear elevational view of the device battery, charger of FIG. 8;

FIG. 11 is a left side elevational view of the device battery charger of FIG. 8;

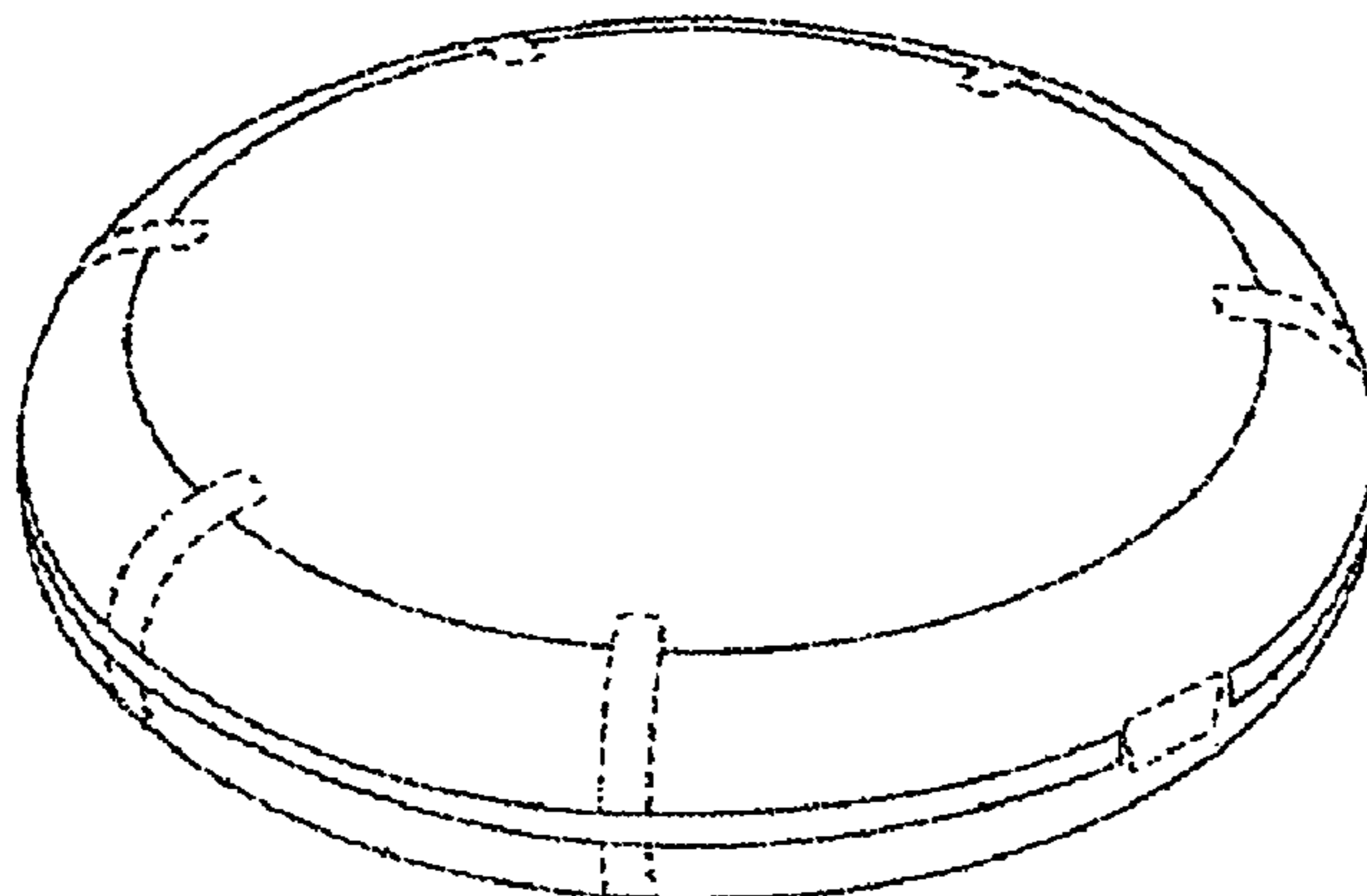
FIG. 12 is a right side elevational view of the device battery charger of FIG. 8;

FIG. 13 is a top plan view of the device battery charger of FIG. 8; and,

FIG. 14 is a bottom plan view of the device battery charger of FIG. 8.

The broken lines shown in the drawings are included for the purpose of illustrating unclaimed portions of the device battery charger, and form no part of the claimed design.

1 Claim, 5 Drawing Sheets



(56)

References Cited

U.S. PATENT DOCUMENTS

D548,688 S 8/2007 Fee et al.
D550,614 S 9/2007 Fee et al.
D558,207 S 12/2007 Ikeda et al.
D558,208 S 12/2007 Ikeda et al.

D558,209 S 12/2007 Ikeda et al.
D575,289 S * 8/2008 Kuo et al. D14/434
D594,404 S * 6/2009 Kuo et al. D13/107
D596,561 S * 7/2009 Chon et al. D13/108
D608,277 S * 1/2010 Cano et al. D13/108
D609,636 S * 2/2010 Jensen D13/108

* cited by examiner

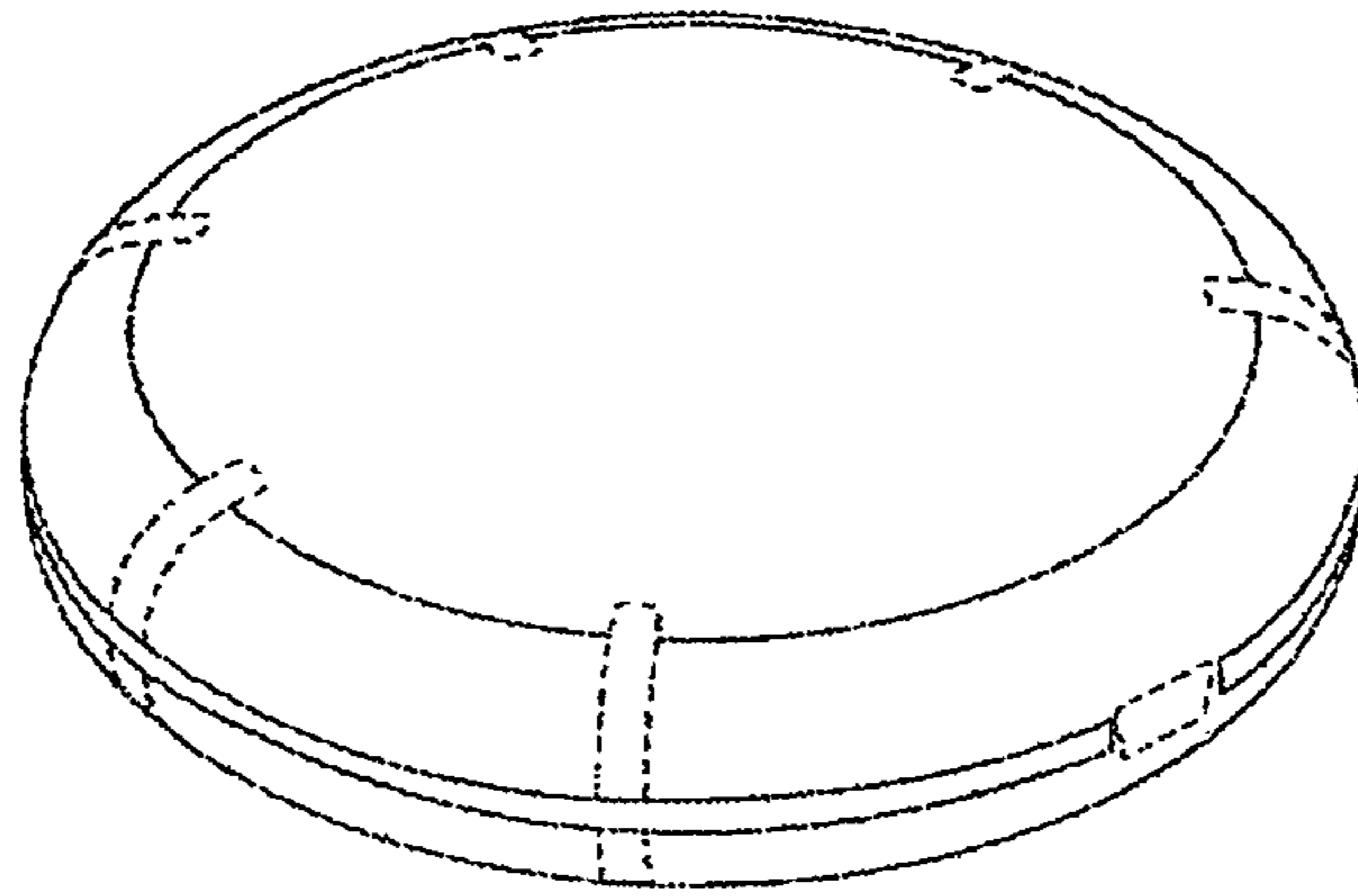


FIG. 1

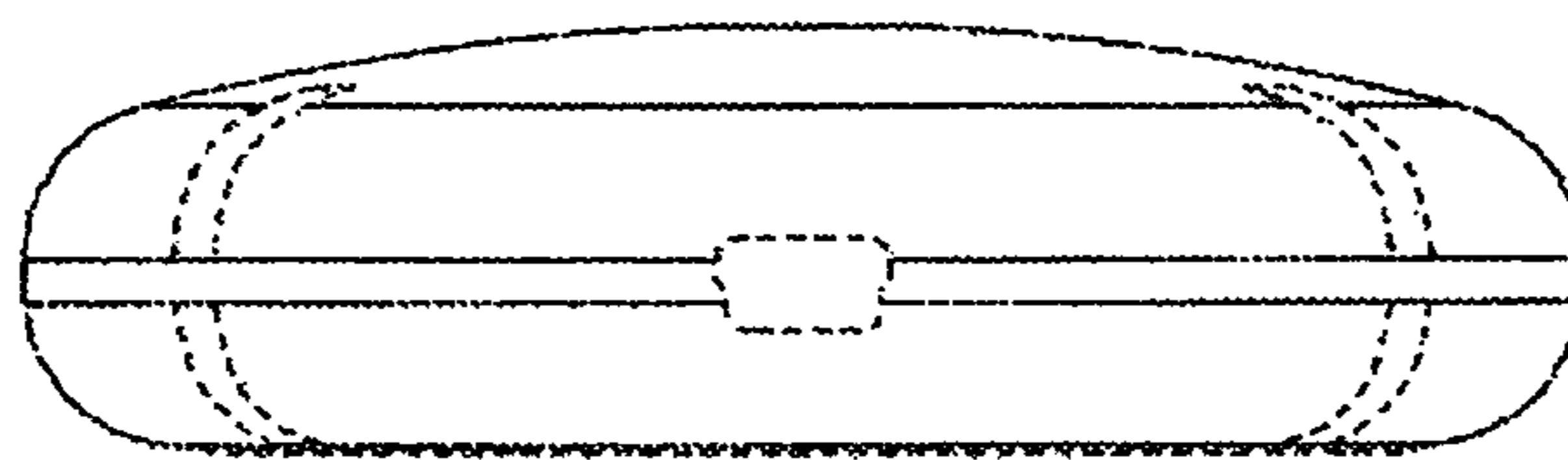


FIG. 2

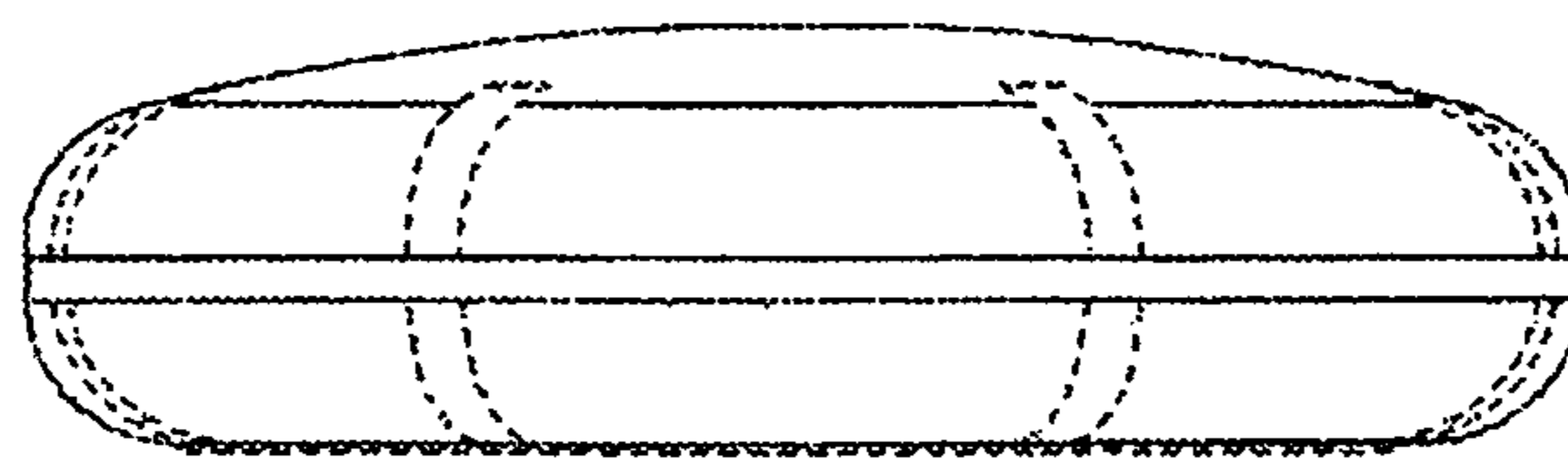


FIG. 3

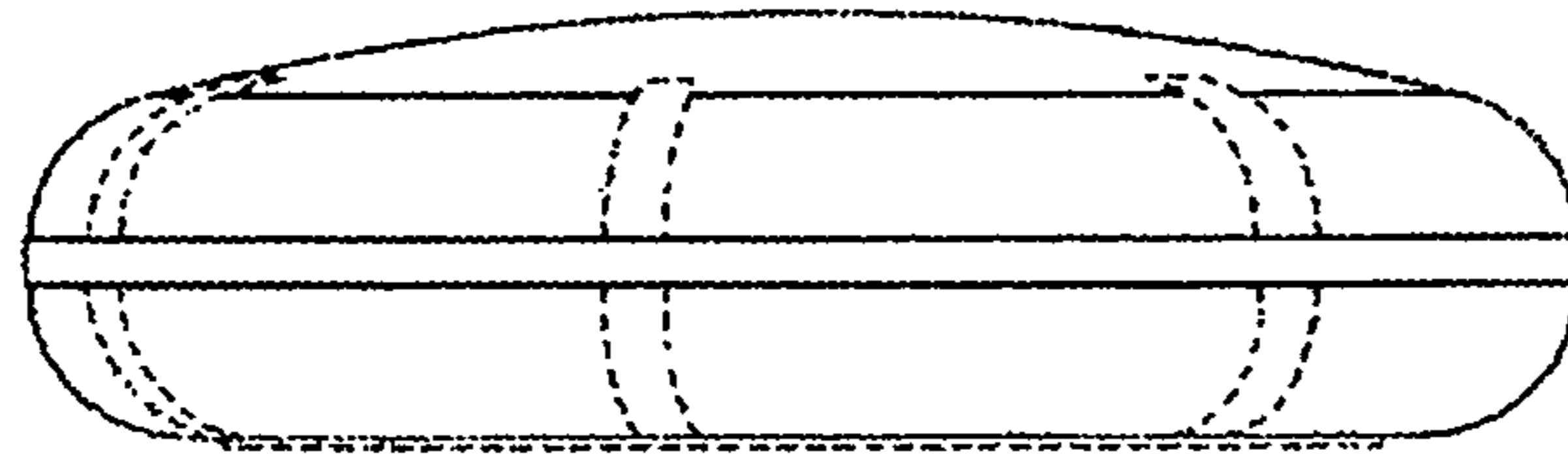


FIG. 4

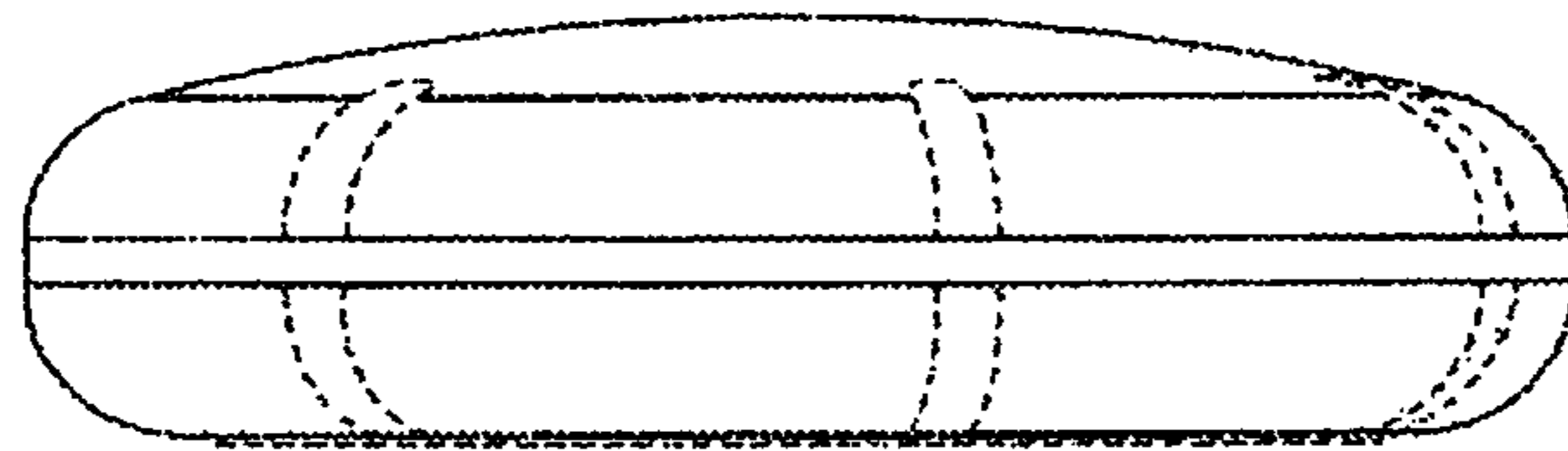


FIG. 5

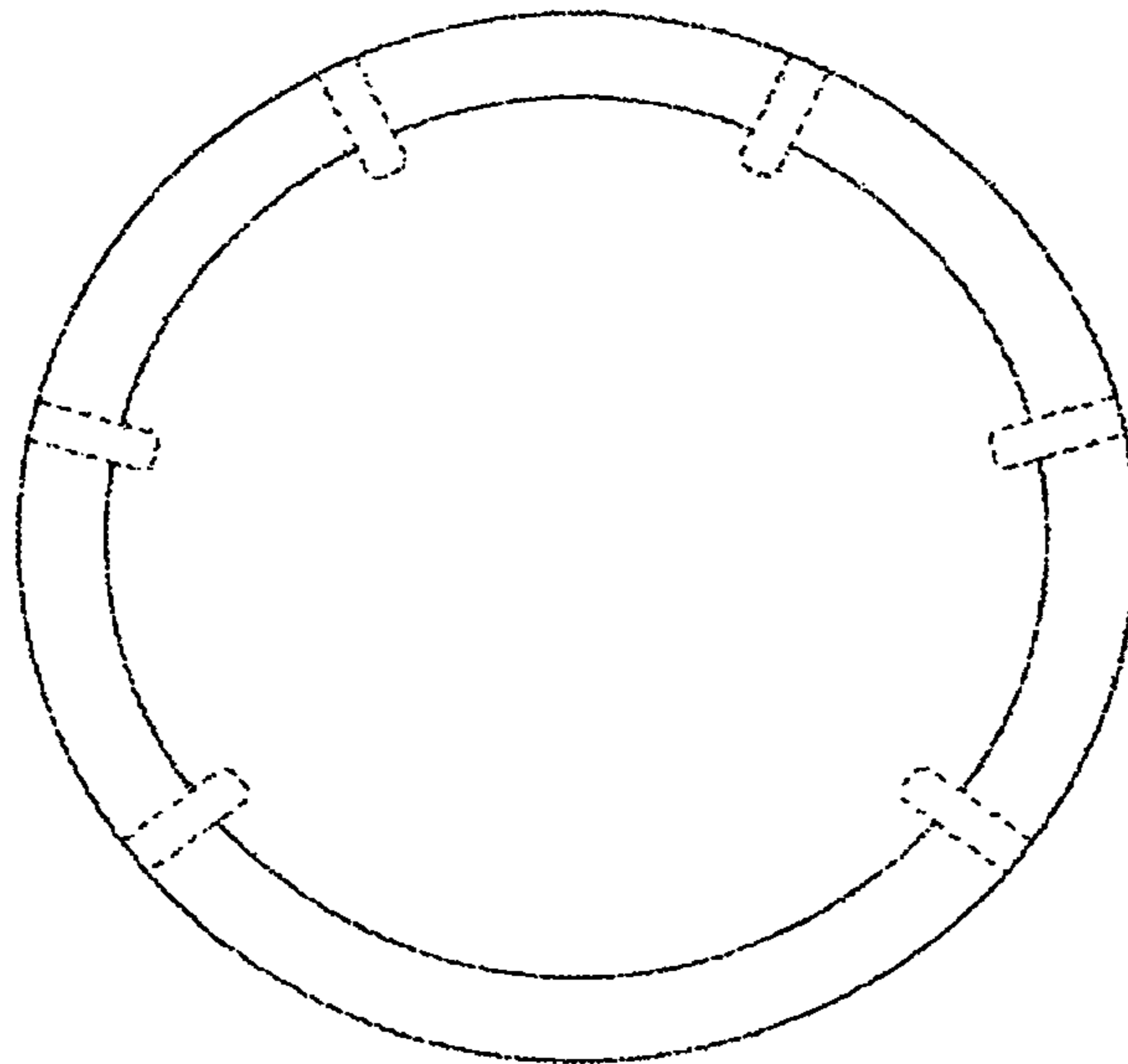


FIG. 6

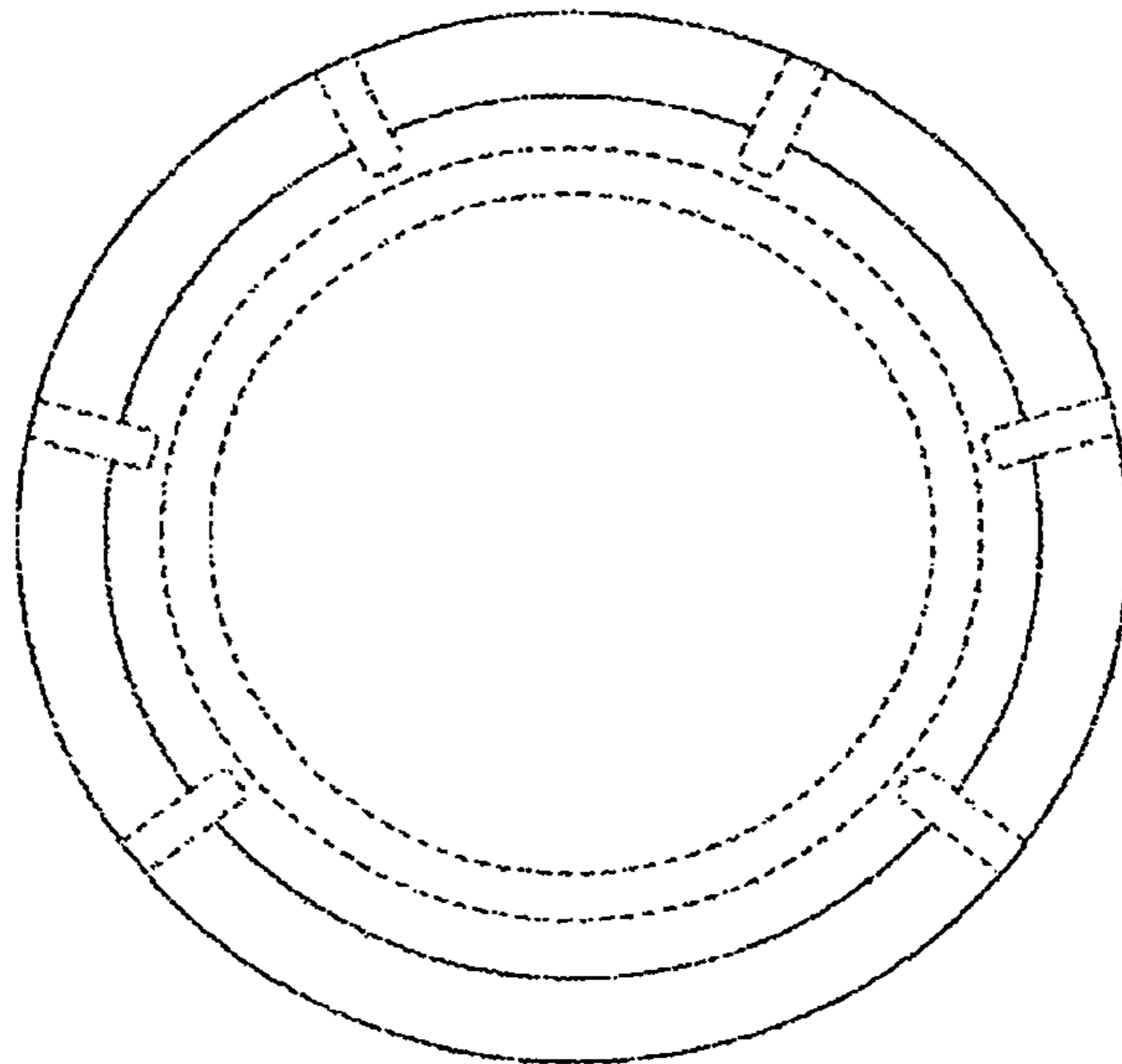


FIG. 7

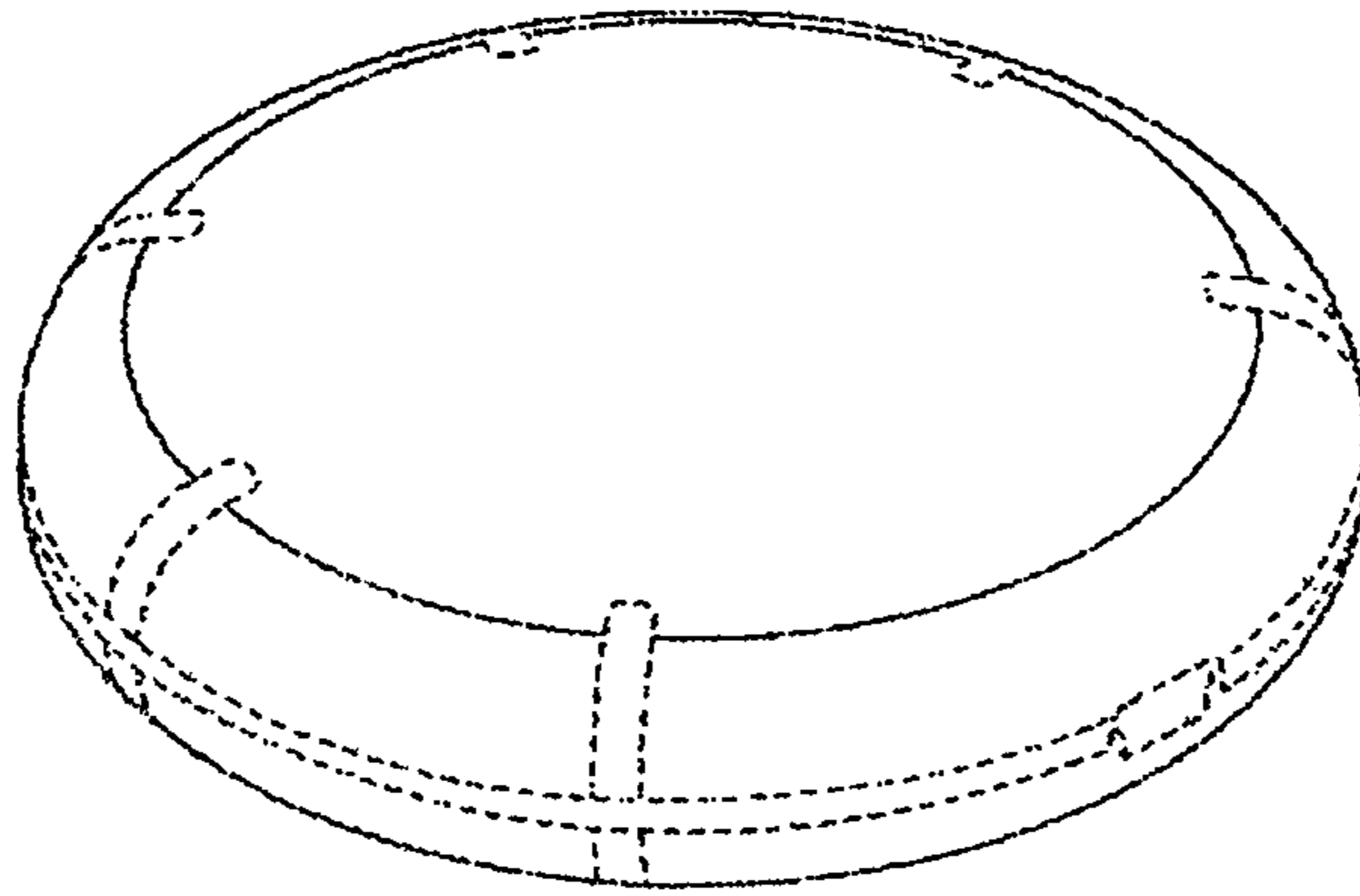


FIG. 8

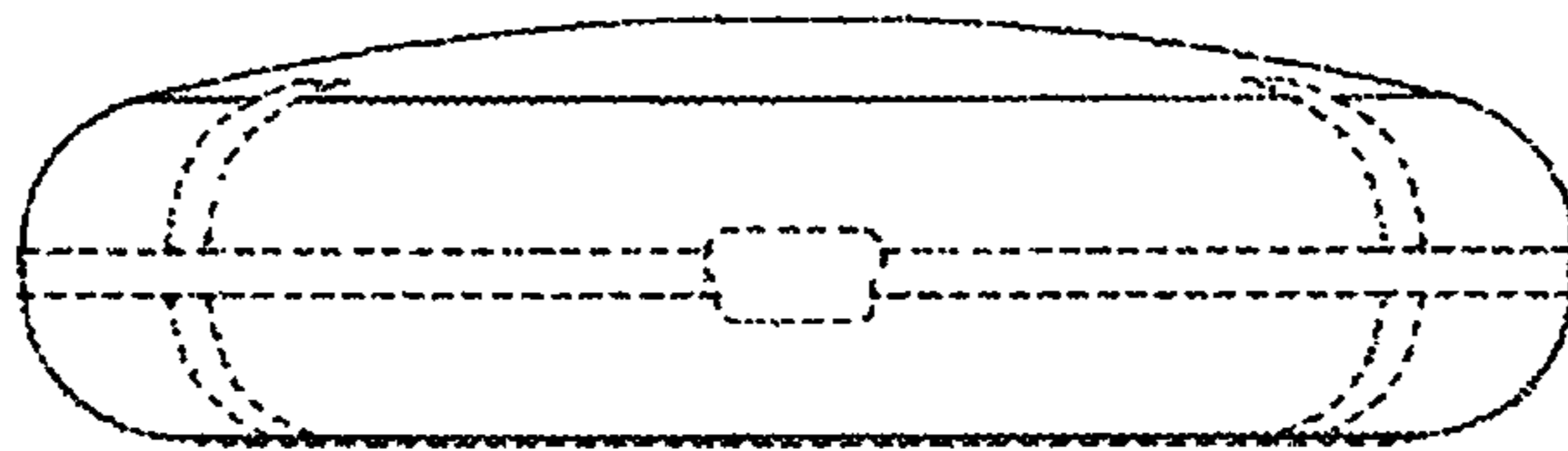


FIG. 9

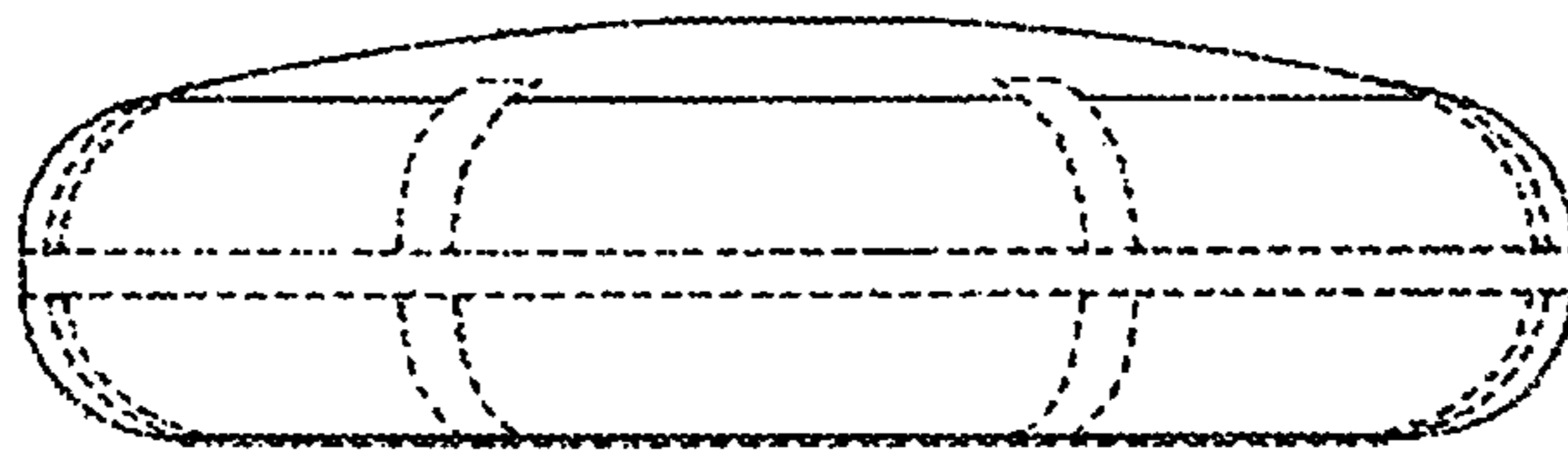


FIG. 10

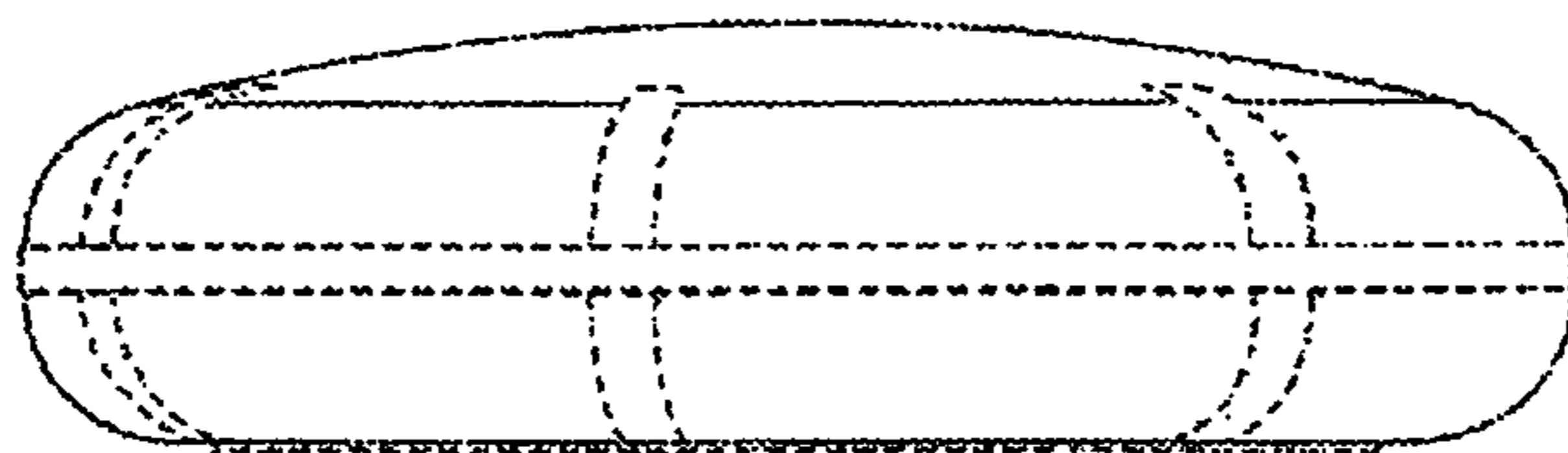


FIG. 11

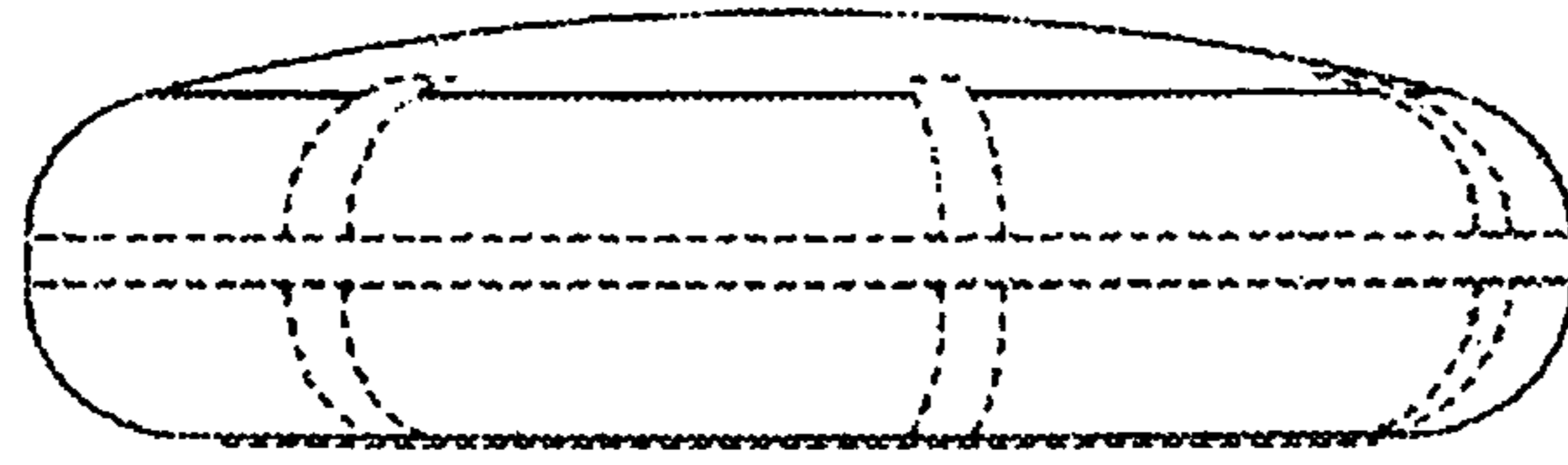


FIG. 12

FIG. 13

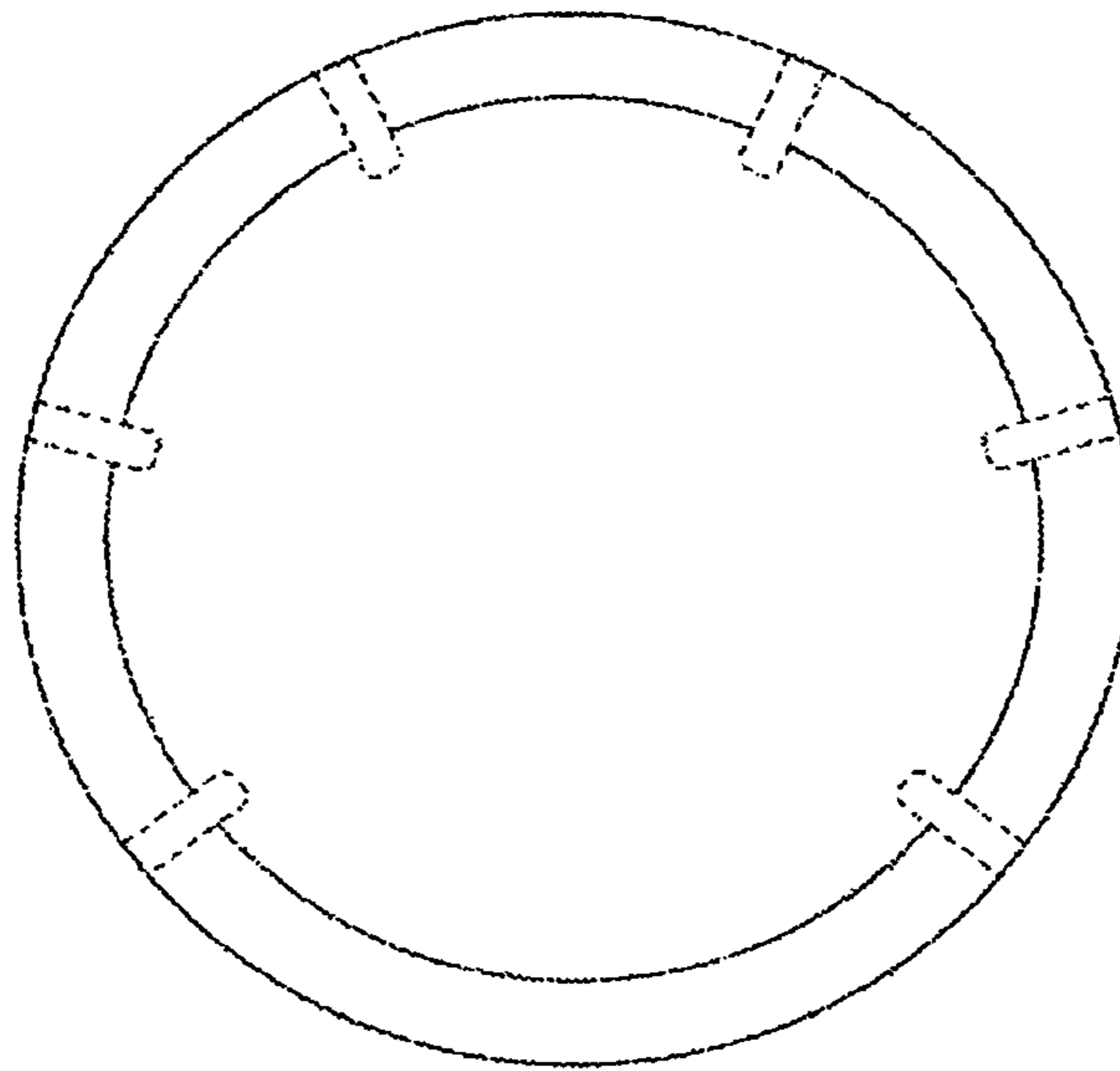


FIG. 14

