



US00D700569S

(12) **United States Design Patent**  
**Payne**

(10) **Patent No.:** **US D700,569 S**  
(45) **Date of Patent:** **\*\* Mar. 4, 2014**

- (54) **BURNING LOG**
- (71) Applicant: **Nancy M. Payne**, Berkshire, NY (US)
- (72) Inventor: **Nancy M. Payne**, Berkshire, NY (US)
- (\*\*) Term: **14 Years**
- (21) Appl. No.: **29/467,561**
- (22) Filed: **Sep. 20, 2013**
- (51) **LOC (10) Cl.** ..... **23-05**
- (52) **U.S. Cl.**  
USPC ..... **D13/100**
- (58) **Field of Classification Search**  
USPC ..... D13/100; D7/416; 44/500, 502-505,  
44/519, 530, 532, 533, 543, 545, 576, 579,  
44/590, 603, 606  
See application file for complete search history.

D362,655 S *	9/1995	Bain	.....	D13/100
D517,005 S *	3/2006	Melin et al.	.....	D13/100
D517,473 S *	3/2006	Jackson	.....	D13/100
D540,741 S *	4/2007	Pols	.....	D13/100
D548,682 S *	8/2007	Melin et al.	.....	D13/100

\* cited by examiner

*Primary Examiner* — Derrick Holland  
(74) *Attorney, Agent, or Firm* — Mark Levy; Hinman, Howard & Kattell, LLP

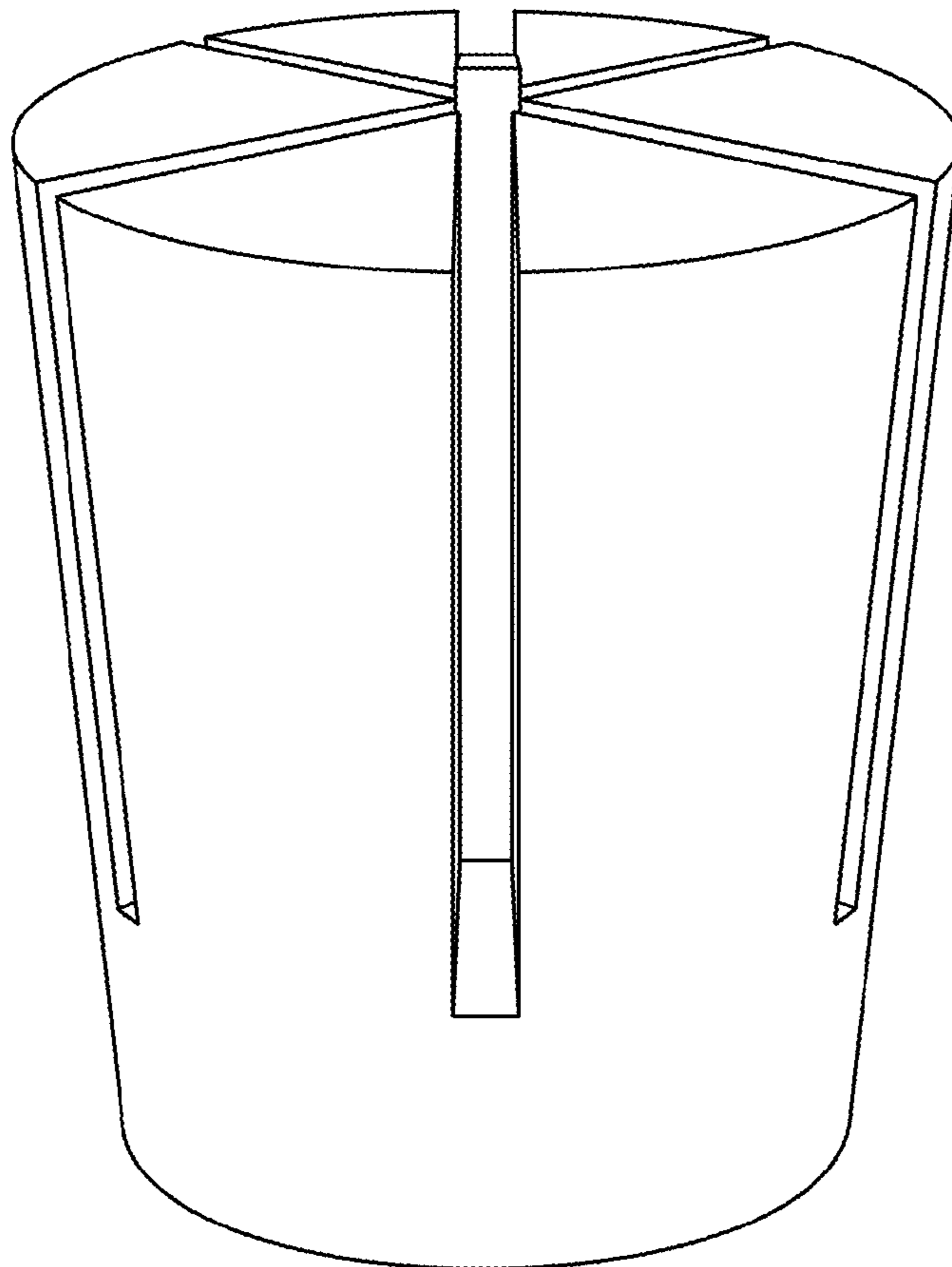
(57) **CLAIM**  
The ornamental design for a burning log, as shown and described.

**DESCRIPTION**

FIG. 1 is a perspective view of a burning log;  
FIG. 2 is a top view thereof;  
FIG. 3 is a bottom view thereof;  
FIG. 4 is a front view thereof, the rear view being a mirror image; and,  
FIG. 5 is a left view thereof, the right view being a mirror image.

**1 Claim, 5 Drawing Sheets**

- (56) **References Cited**  
U.S. PATENT DOCUMENTS  
1,959,472 A \* 5/1934 Heffernan, Jr. et al. .... 44/603  
2,107,054 A \* 2/1938 Haymond ..... 44/519  
3,988,121 A \* 10/1976 Leveskis ..... 44/530  
4,539,011 A \* 9/1985 Kretzschmann ..... 44/270



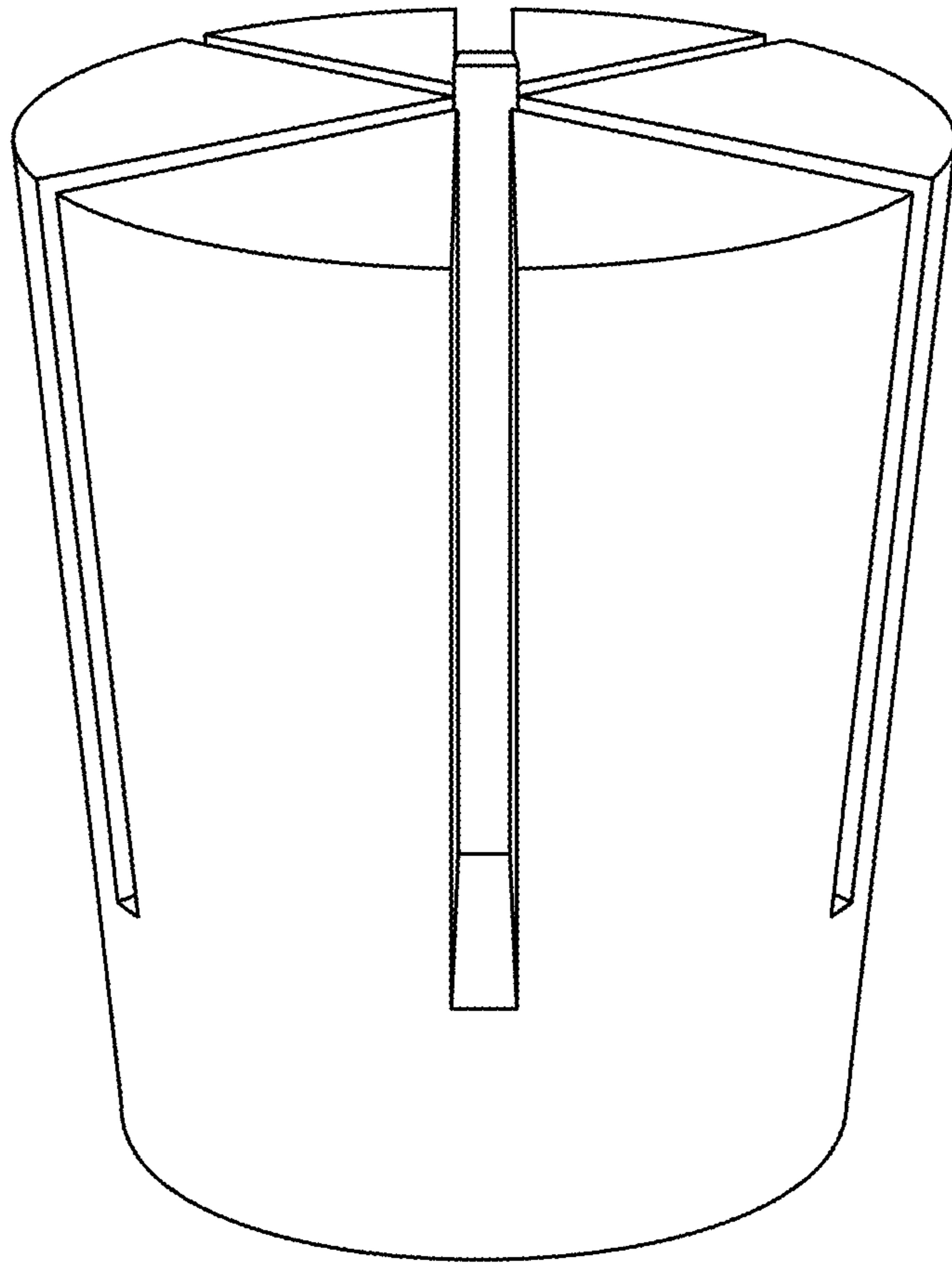


Figure 1

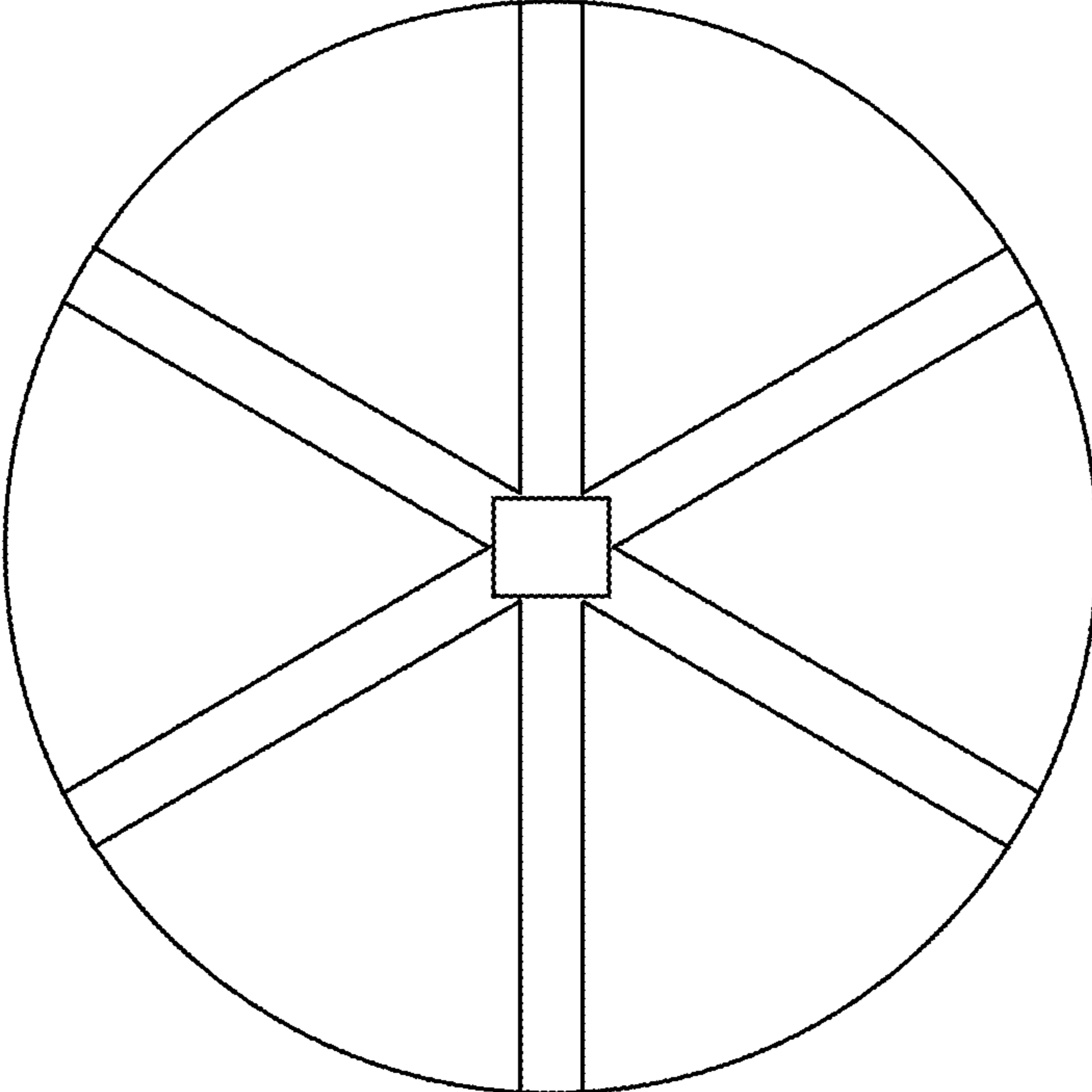
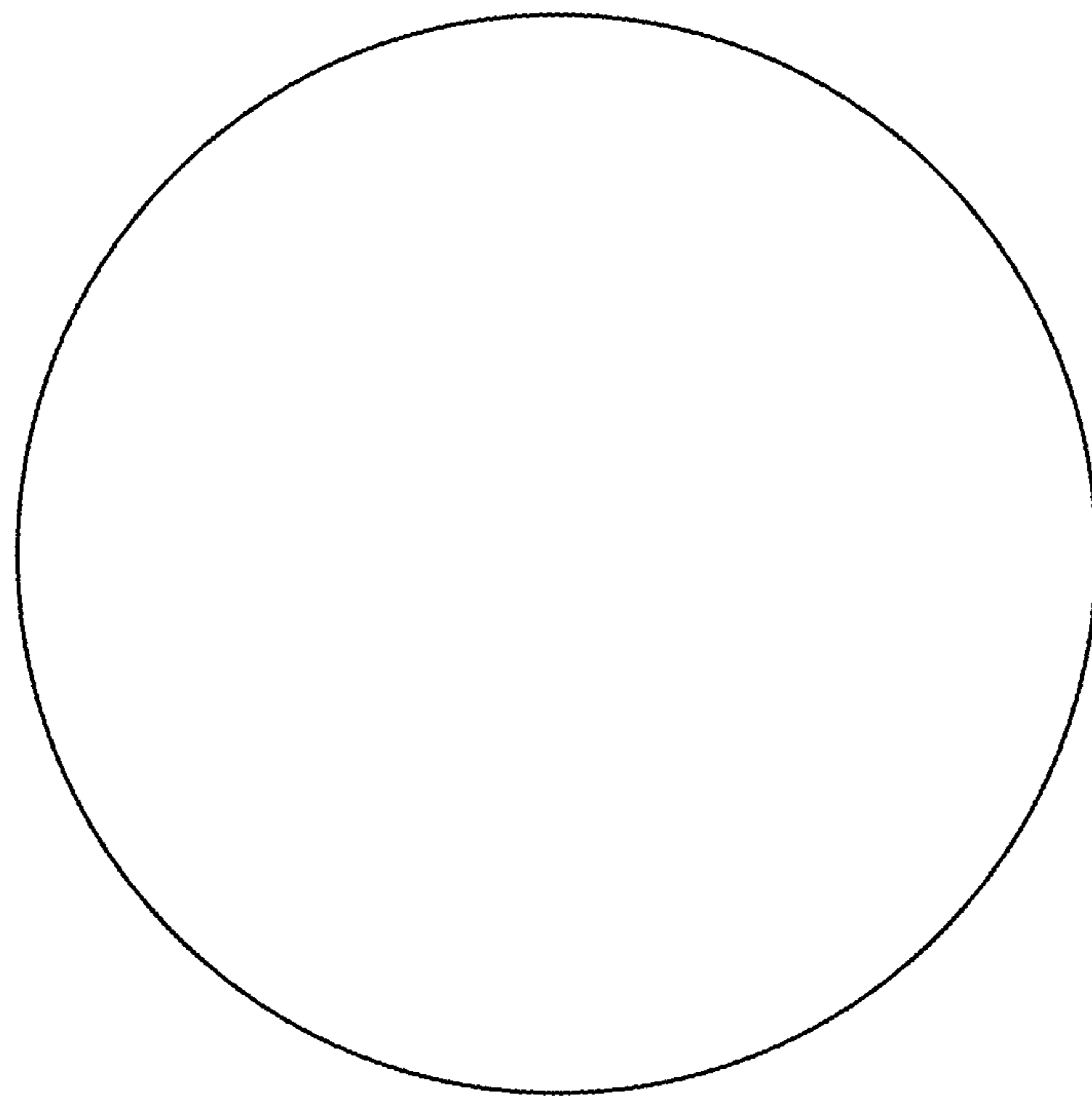


Figure 2



**Figure 3**

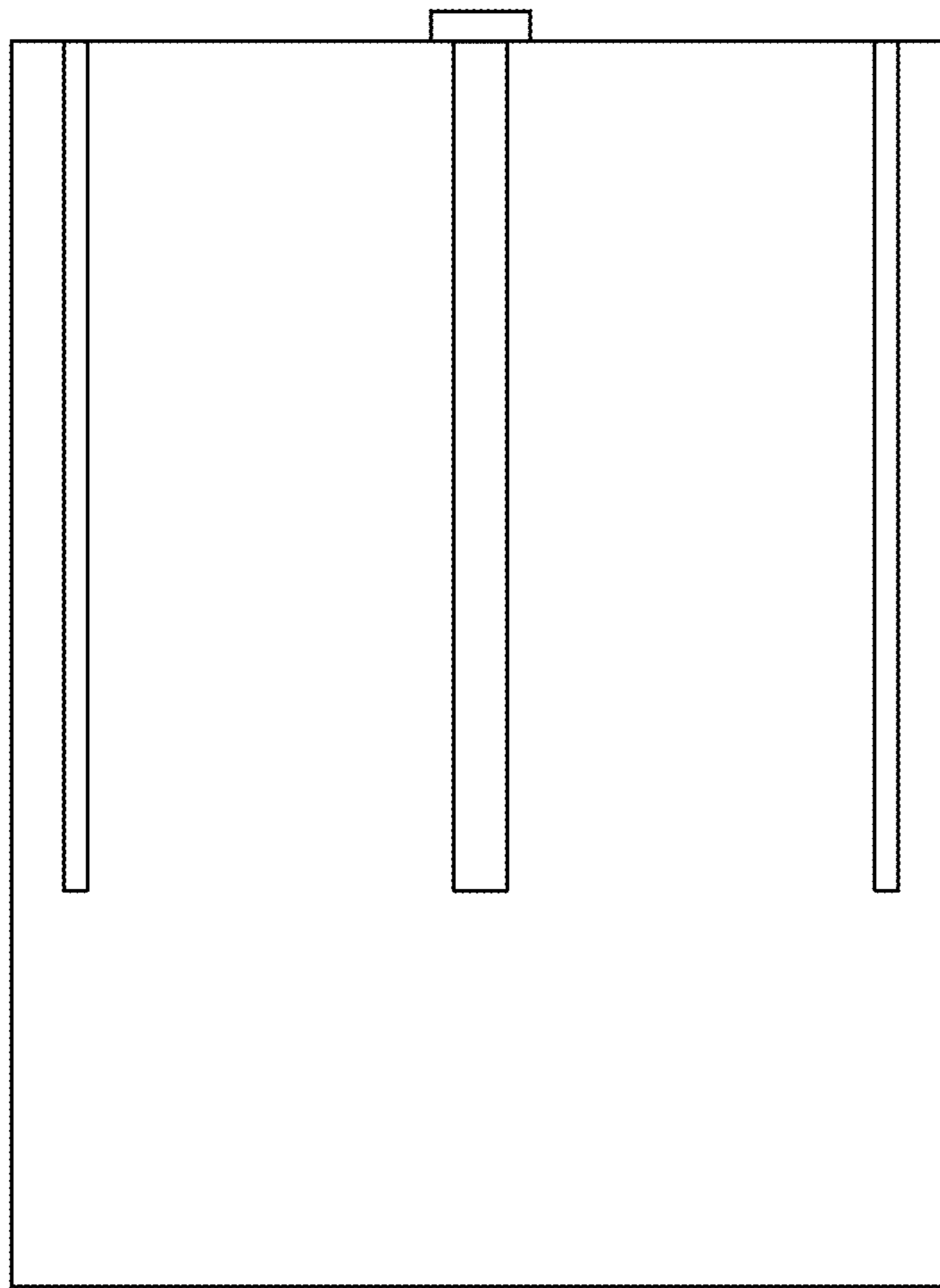


Figure 4

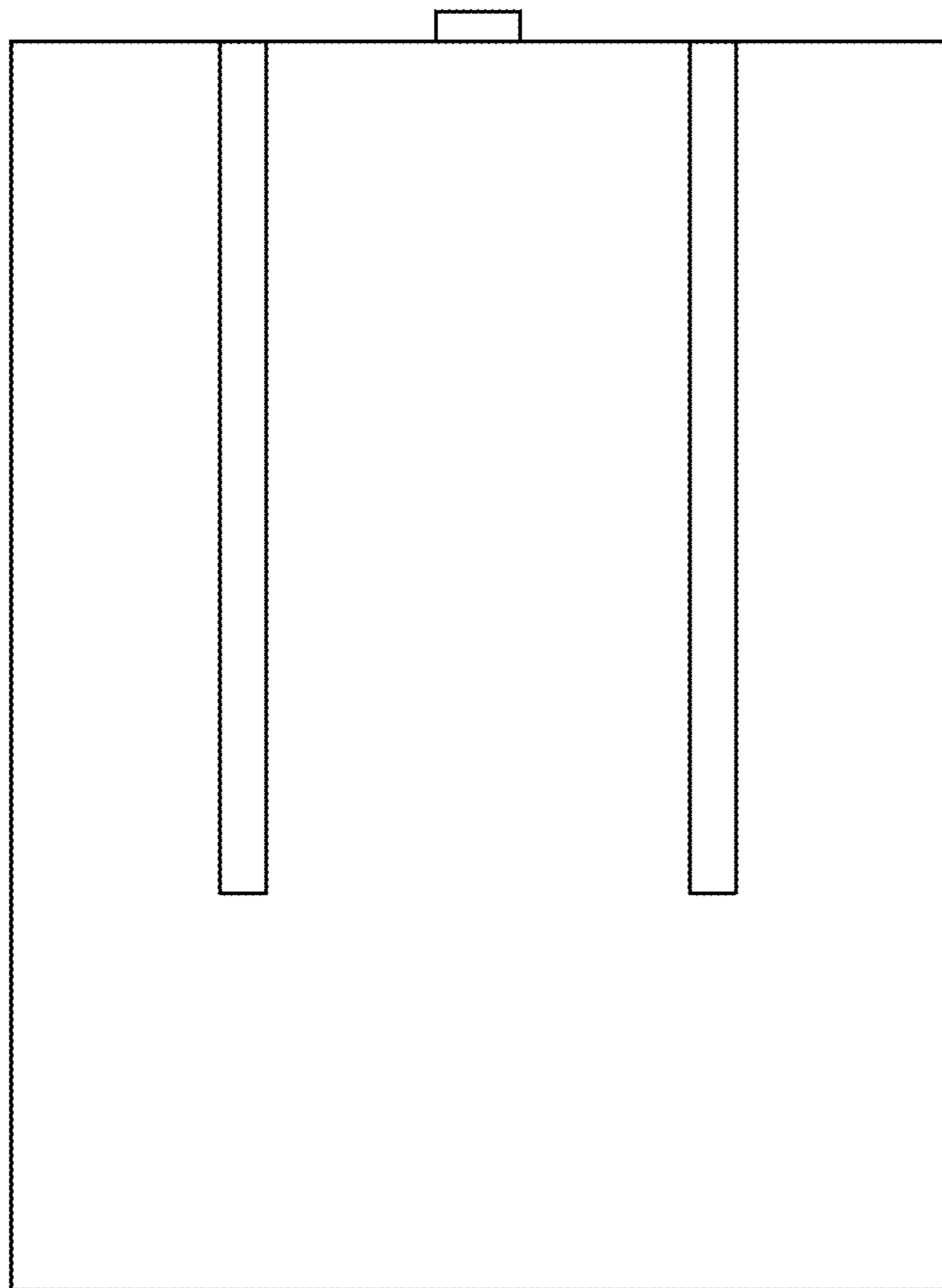


Figure 5