



US00D700565S

(12) **United States Design Patent**
Gonzalez

(10) **Patent No.:** **US D700,565 S**
(45) **Date of Patent:** **** Mar. 4, 2014**

(54) **VEHICLE WHEEL**

(71) Applicant: **GM Global Technology Operations LLC, Detroit, MI (US)**

(72) Inventor: **Jose E Gonzalez, Pleasant Ridge, MI (US)**

(73) Assignee: **GM Global Technology Operations LLC, Detroit, MI (US)**

(**) Term: **14 Years**

(21) Appl. No.: **29/441,694**

(22) Filed: **Jan. 9, 2013**

(51) **LOC (10) Cl.** **12-16**

(52) **U.S. Cl.**
USPC **D12/209**

(58) **Field of Classification Search**
USPC D12/204-213; 301/37.101, 64.101, 65,
301/64.201

See application file for complete search history.

(56) **References Cited**

U.S. PATENT DOCUMENTS

D455,693 S * 4/2002 Sato et al. D12/209
D504,096 S * 4/2005 Nakagawa et al. D12/209
D576,536 S * 9/2008 Aroney D12/209

D620,866 S * 8/2010 Blasi D12/209
D663,247 S * 7/2012 Bildhaeuser D12/209
D671,058 S * 11/2012 Hermann et al. D12/209
D671,877 S * 12/2012 Roura D12/209
D672,303 S * 12/2012 Roura D12/209
D673,097 S * 12/2012 Lemke D12/209
D682,176 S * 5/2013 Badstuebner D12/209
D684,516 S * 6/2013 Bennion D12/209
D689,808 S * 9/2013 Buck D12/209

* cited by examiner

Primary Examiner — Stacia Cadmus

(74) *Attorney, Agent, or Firm* — Parks IP Law LLC; Mickki D. Murray, Esq.

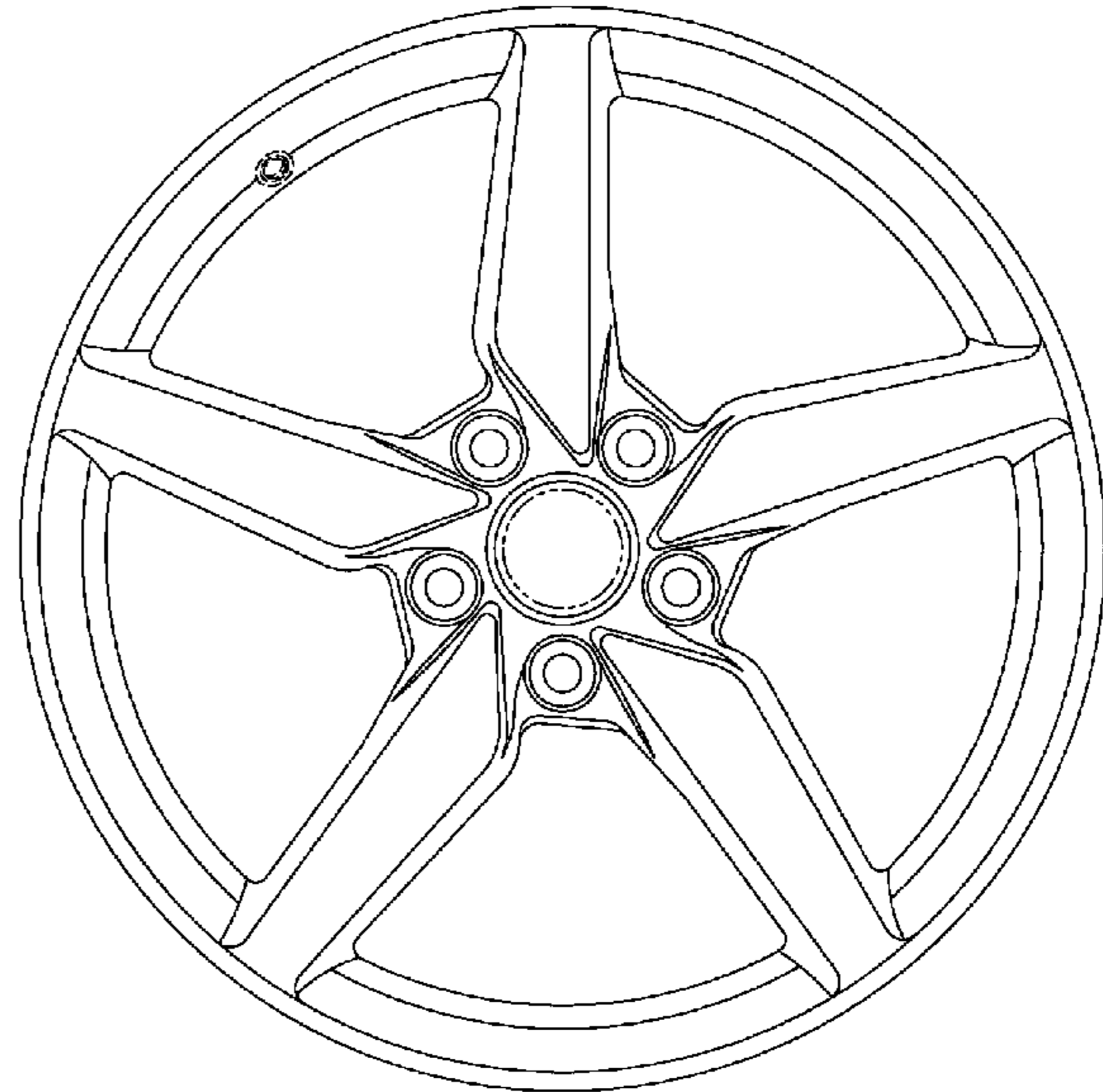
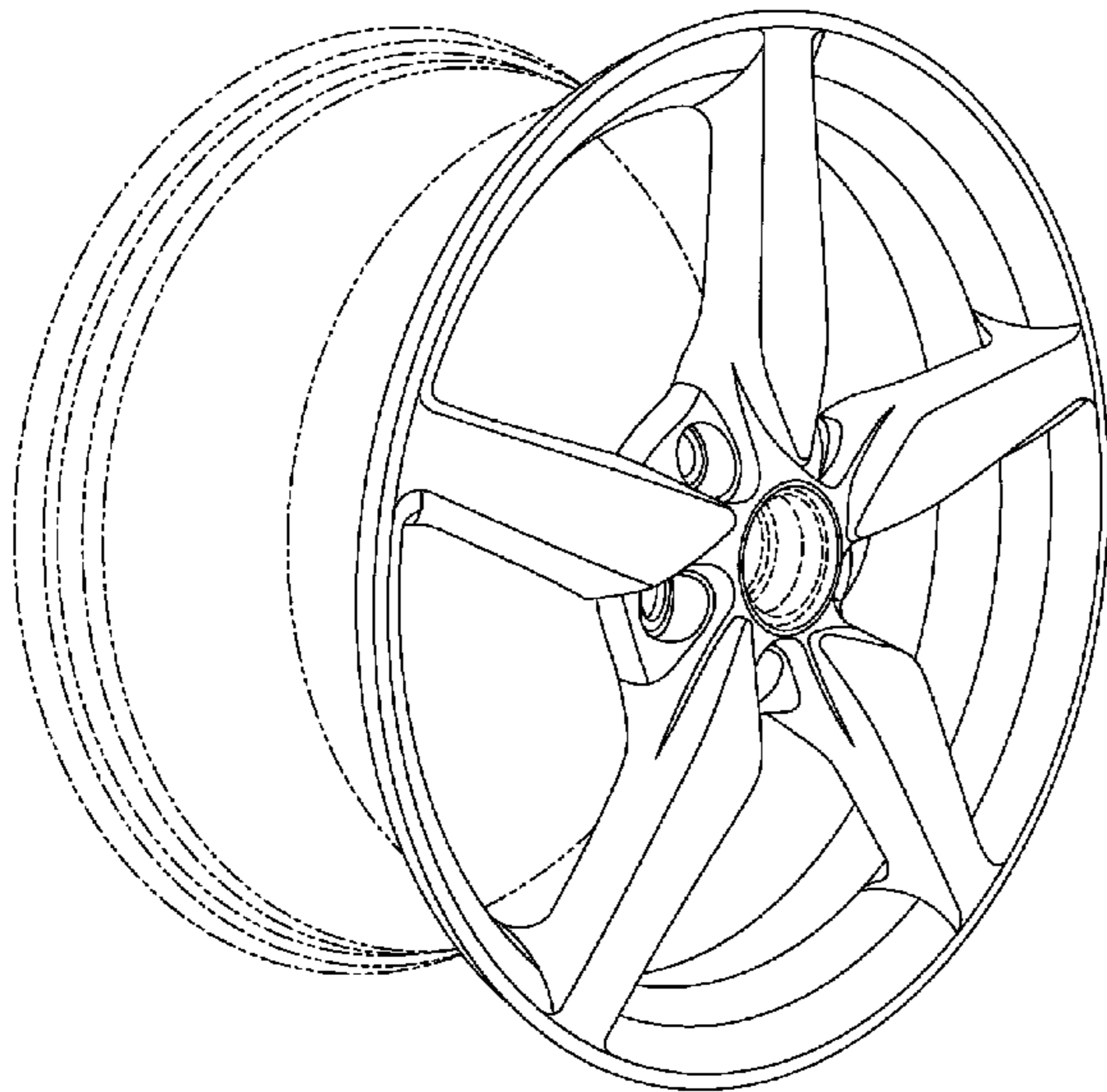
(57) **CLAIM**

The ornamental design for a vehicle wheel, as shown and described.

DESCRIPTION

FIG. 1 is a perspective view of a vehicle wheel, from a first vantage, showing the new design;
FIG. 2 is a perspective view of a vehicle wheel, from a second vantage, thereof;
FIG. 3 is a front view, thereof; and,
FIG. 4 is a rear view, thereof.
In the figures, features shown by broken lines are for illustrative purposes only and form no part of the claimed design.

1 Claim, 4 Drawing Sheets



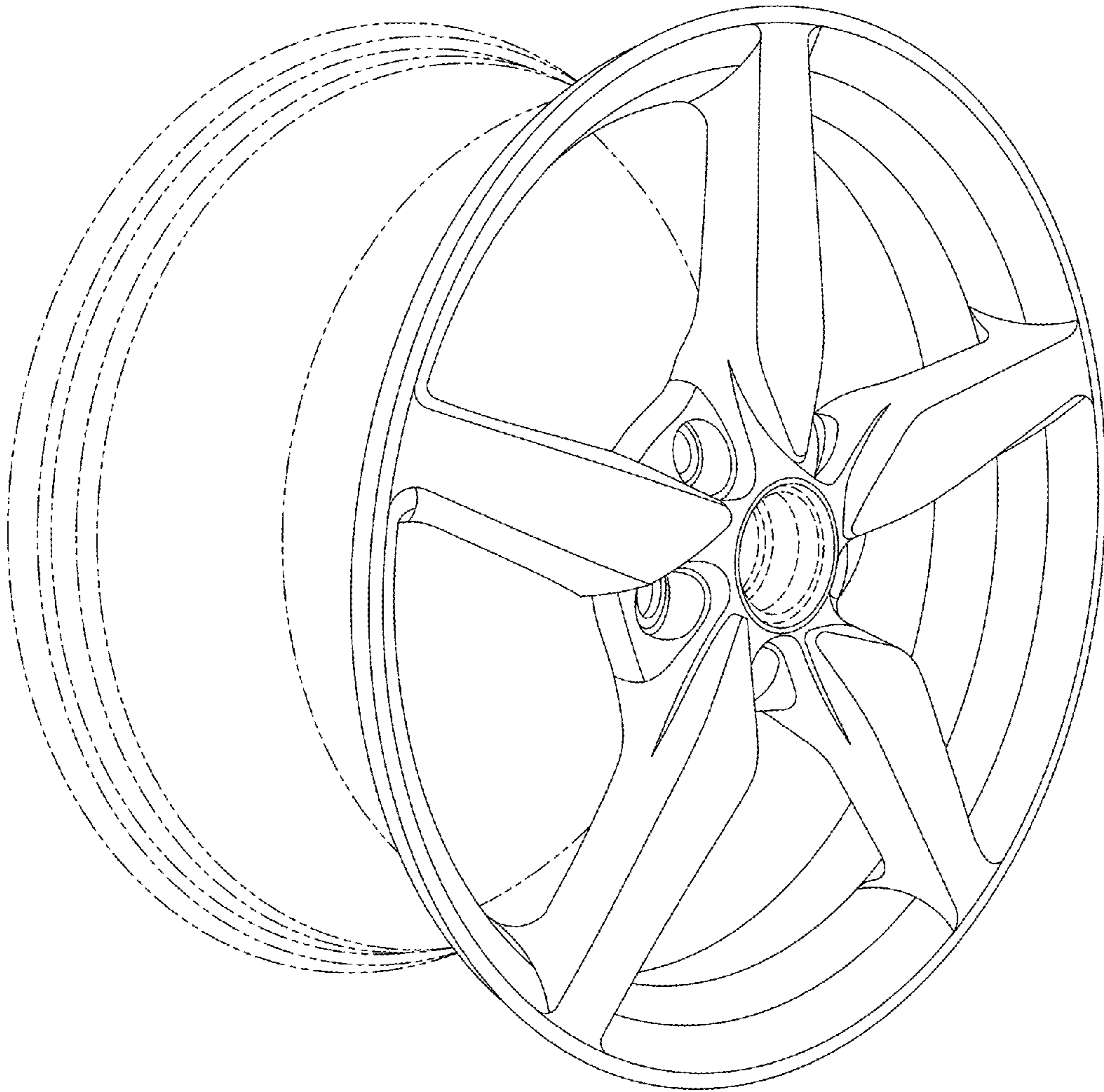


Fig-1

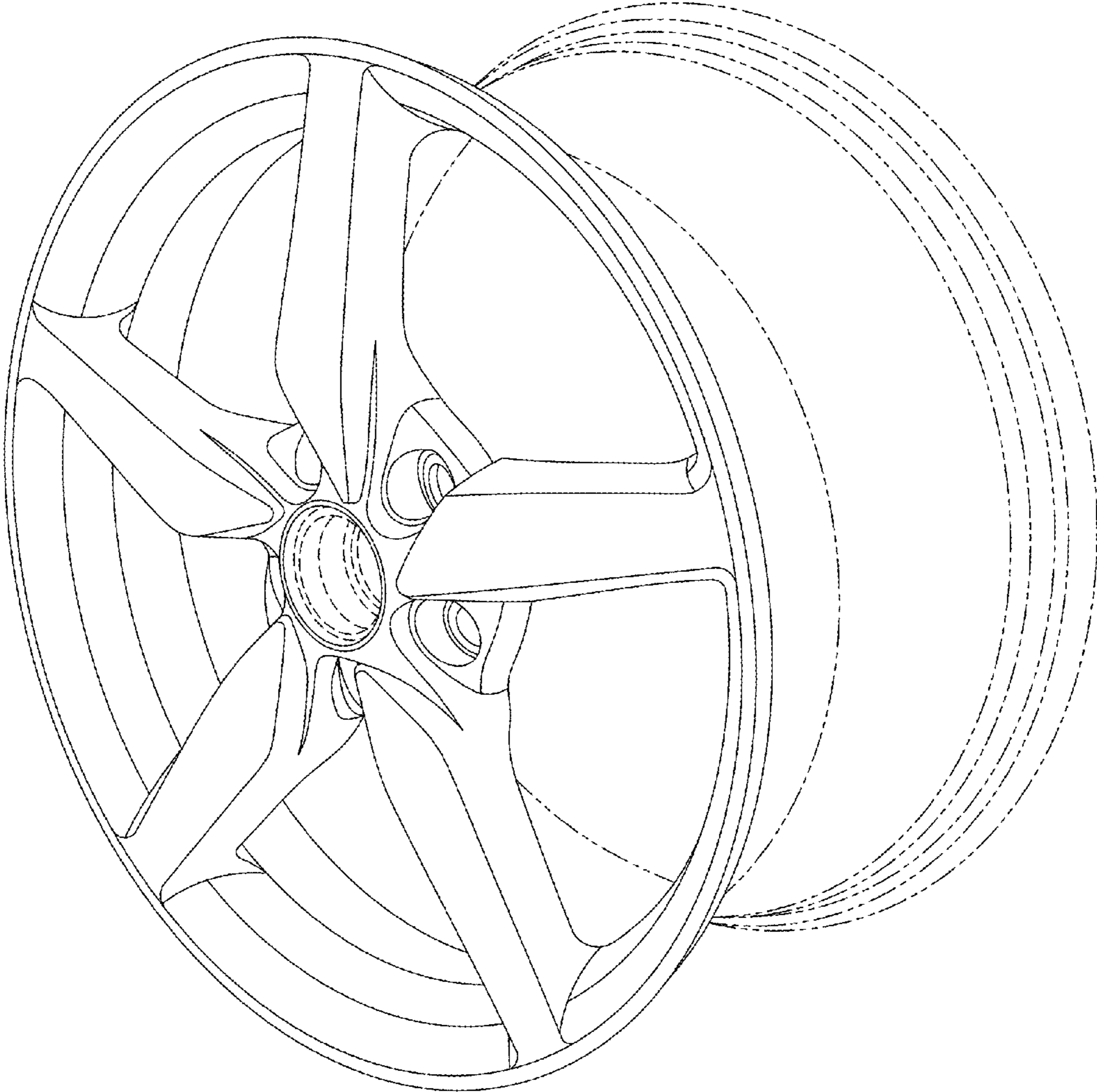


Fig-2

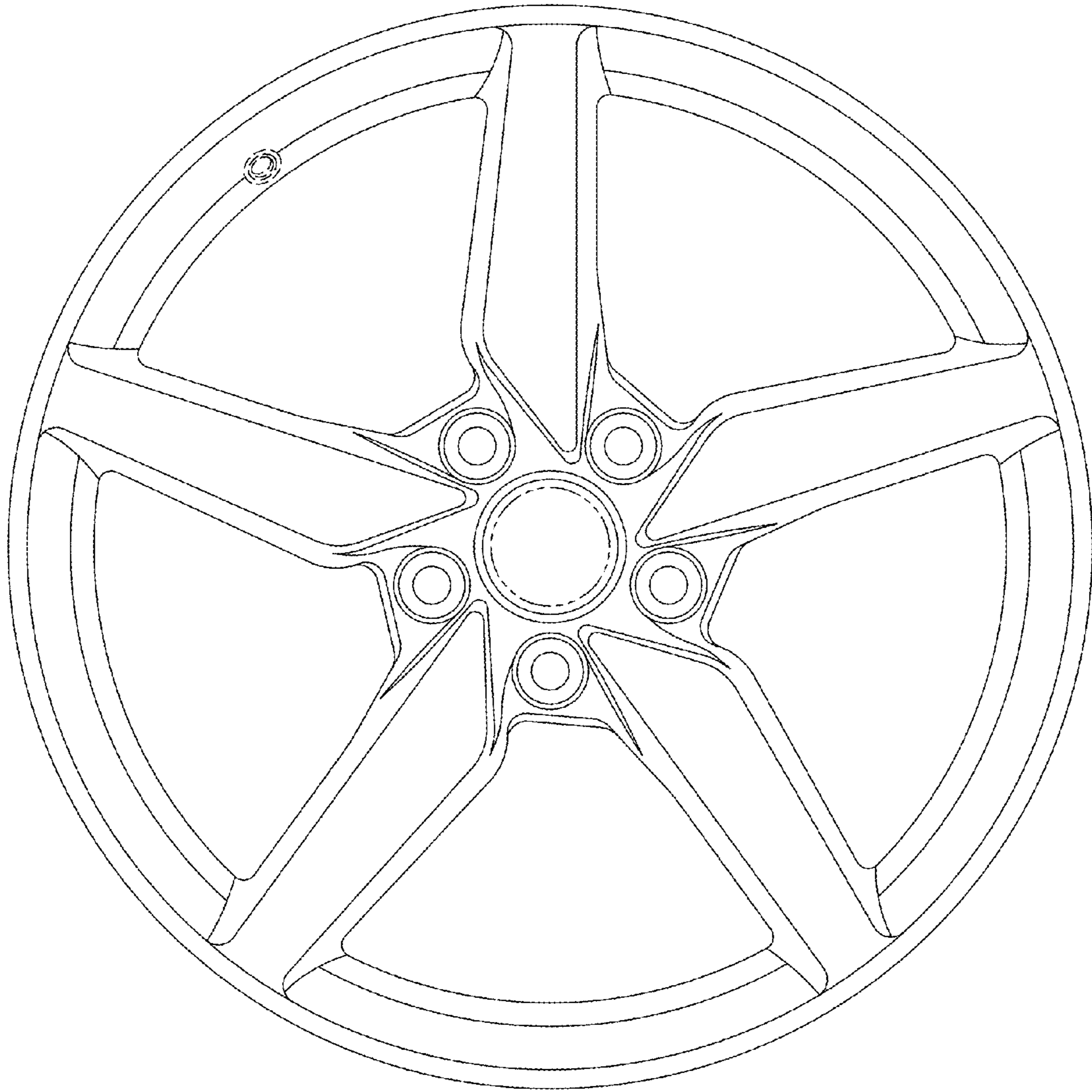


Fig-3

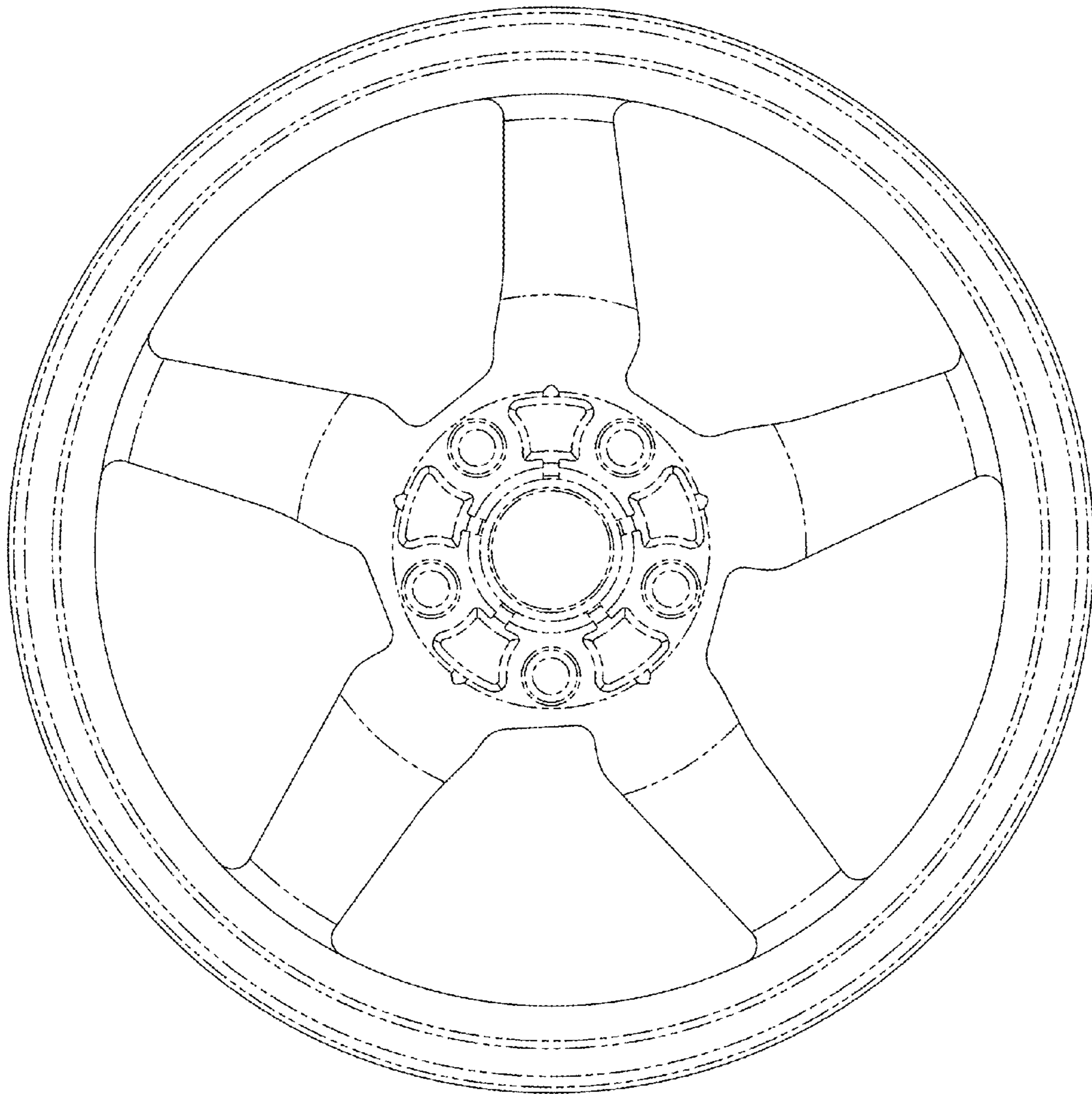


Fig-4