



US00D700561S

(12) **United States Design Patent**  
**Glaeser**

(10) **Patent No.:** **US D700,561 S**

(45) **Date of Patent:** **\*\* Mar. 4, 2014**

- (54) **EXHAUST MANIFOLD**
- (71) Applicant: **RBMark, Inc.**, Wilmington, DE (US)
- (72) Inventor: **G. Zachary Glaeser**, Ivyland, PA (US)
- (73) Assignee: **RBMark, Inc.**, Wilmington, DE (US)
- (\*\*) Term: **14 Years**
- (21) Appl. No.: **29/437,026**
- (22) Filed: **Nov. 12, 2012**
- (51) **LOC (10) Cl.** ..... **12-16**
- (52) **U.S. Cl.**  
USPC ..... **D12/194**
- (58) **Field of Classification Search**  
USPC ..... D12/194; 180/89.2, 296, 309;  
181/227-228, 239-241, 264, 282,  
181/247-249; D15/5; 29/890.08; 60/303,  
60/313, 323; 285/127.2; 138/37-39, 44,  
138/103, 109  
See application file for complete search history.

5,860,278	A *	1/1999	Rodenkirch	.....	60/313
6,327,854	B1 *	12/2001	Bonny et al.	.....	60/323
7,171,805	B2 *	2/2007	Ruehle	.....	60/323
7,565,800	B2 *	7/2009	Williams et al.	.....	60/323
7,832,205	B2 *	11/2010	Ruehle	.....	60/323
2005/0183414	A1 *	8/2005	Bien et al.	.....	60/323

**FOREIGN PATENT DOCUMENTS**

FR 2575788 A1 \* 7/1986 ..... F01N 7/10  
\* cited by examiner

*Primary Examiner* — Michael A Pratt  
(74) *Attorney, Agent, or Firm* — Volpe and Koenig, P.C.

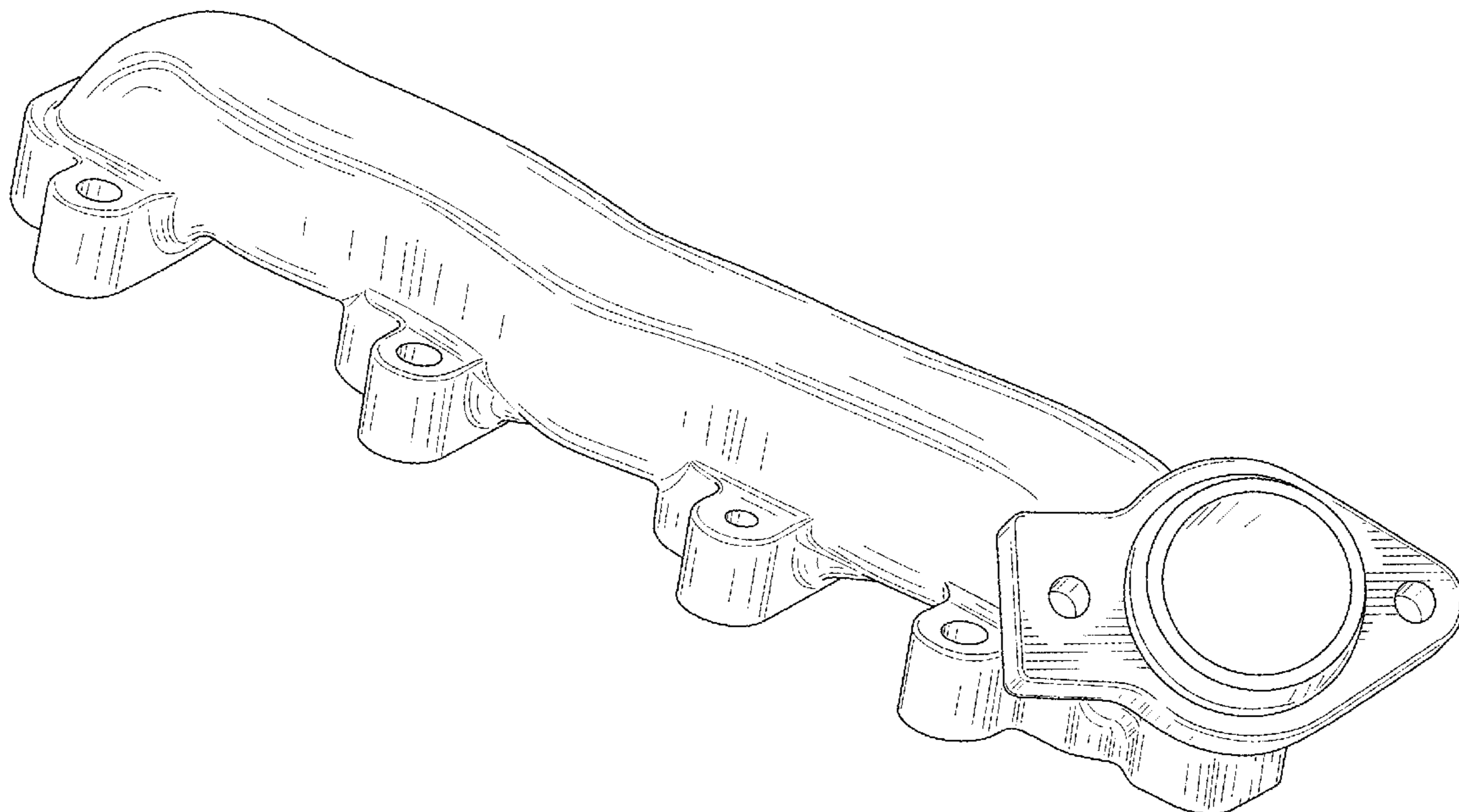
(57) **CLAIM**  
The ornamental design for an exhaust manifold, as shown and described.

**DESCRIPTION**

FIG. 1 is a top perspective view of an exhaust manifold according to the invention;  
FIG. 2 is a bottom perspective view of the invention in FIG. 1;  
FIG. 3 is a left side view of the invention in FIG. 1;  
FIG. 4 is a right side view of the invention in FIG. 1;  
FIG. 5 is a top plan view of the invention in FIG. 1;  
FIG. 6 is a bottom plan view of the invention in FIG. 1;  
FIG. 7 is a front view of the invention in FIG. 1; and,  
FIG. 8 is a rear view of the invention in FIG. 1.

**1 Claim, 6 Drawing Sheets**

- (56) **References Cited**  
U.S. PATENT DOCUMENTS  
D372,250 S \* 7/1996 Otsuka et al. .... D15/5  
D376,602 S \* 12/1996 Yamanaka et al. .... D15/5



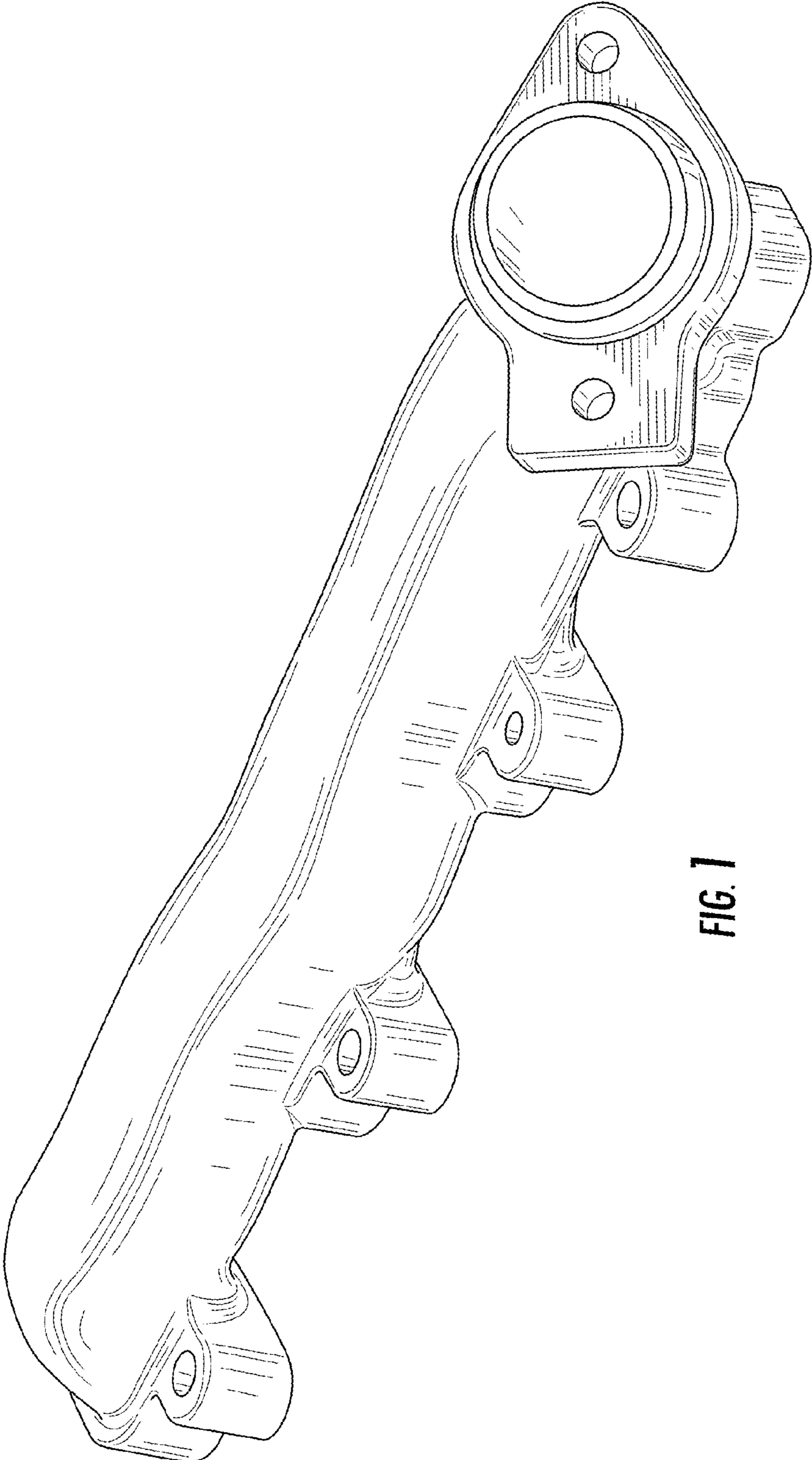


FIG. 1

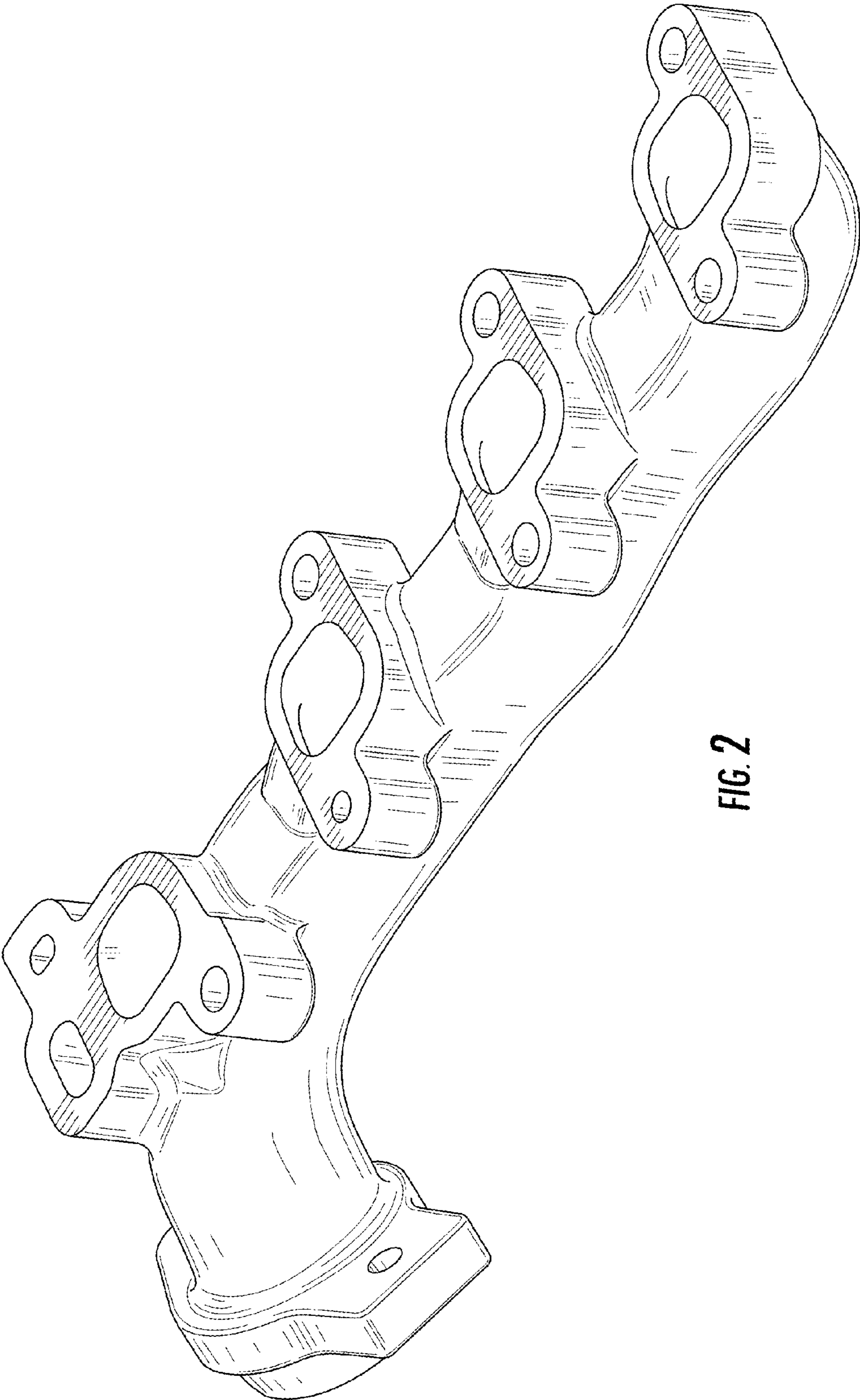


FIG. 2

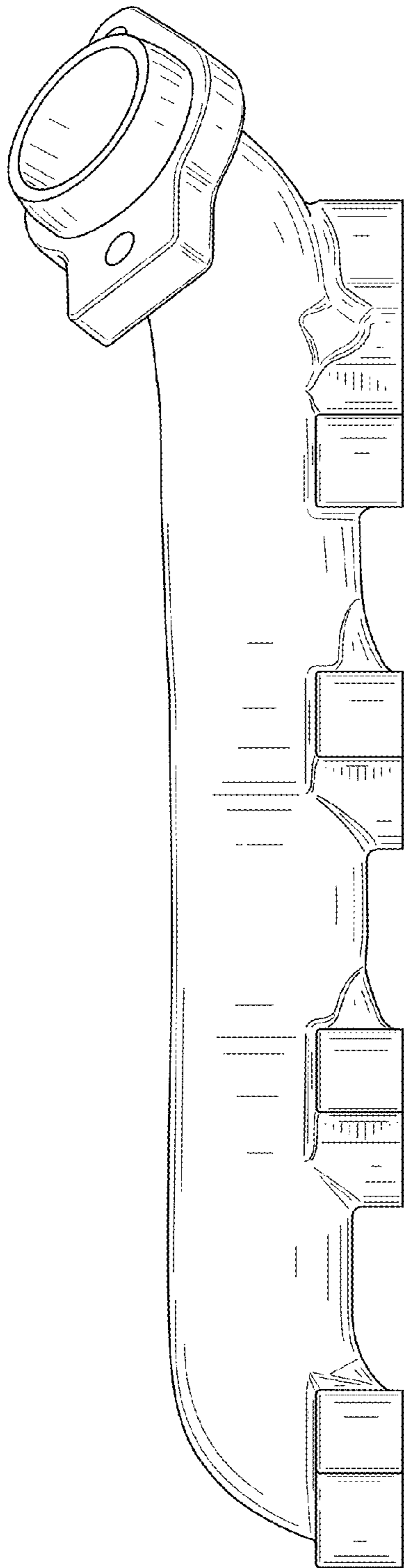


FIG. 3

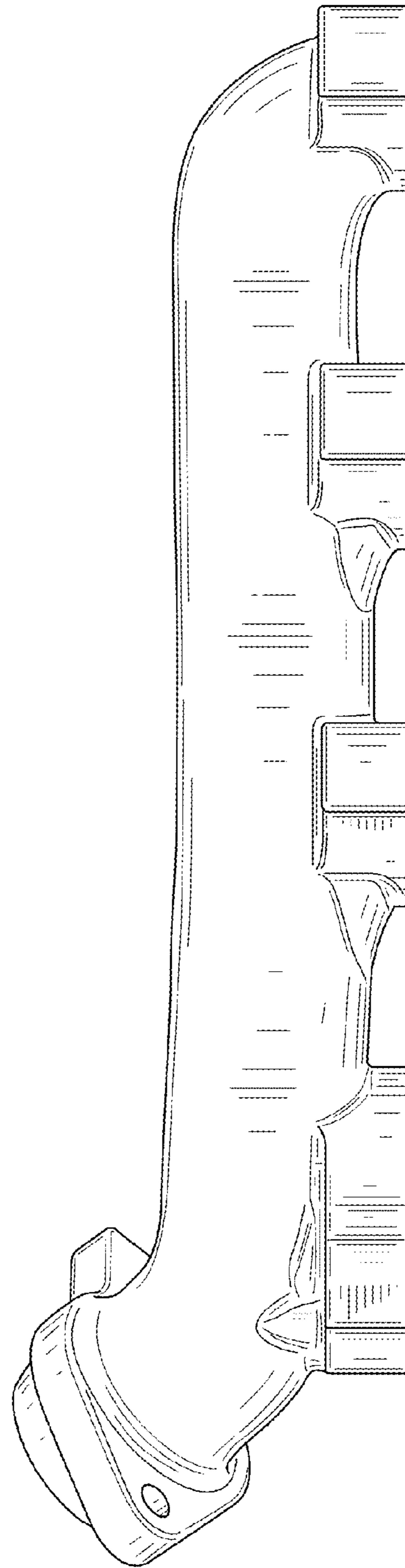


FIG. 4

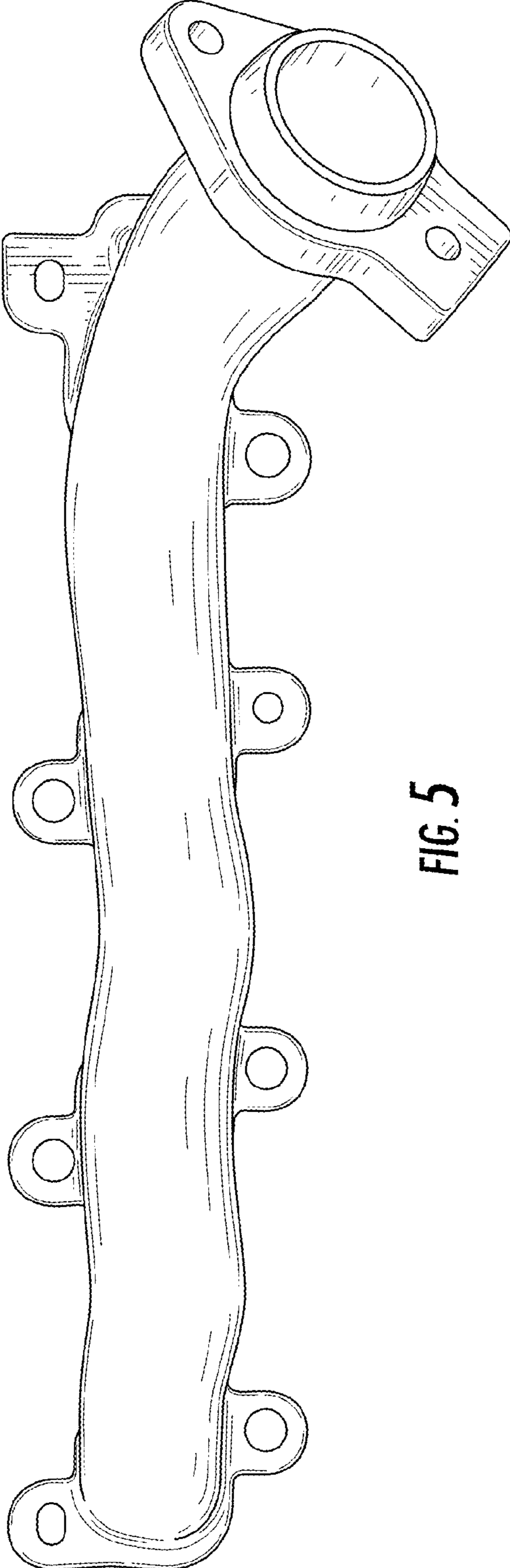


FIG. 5

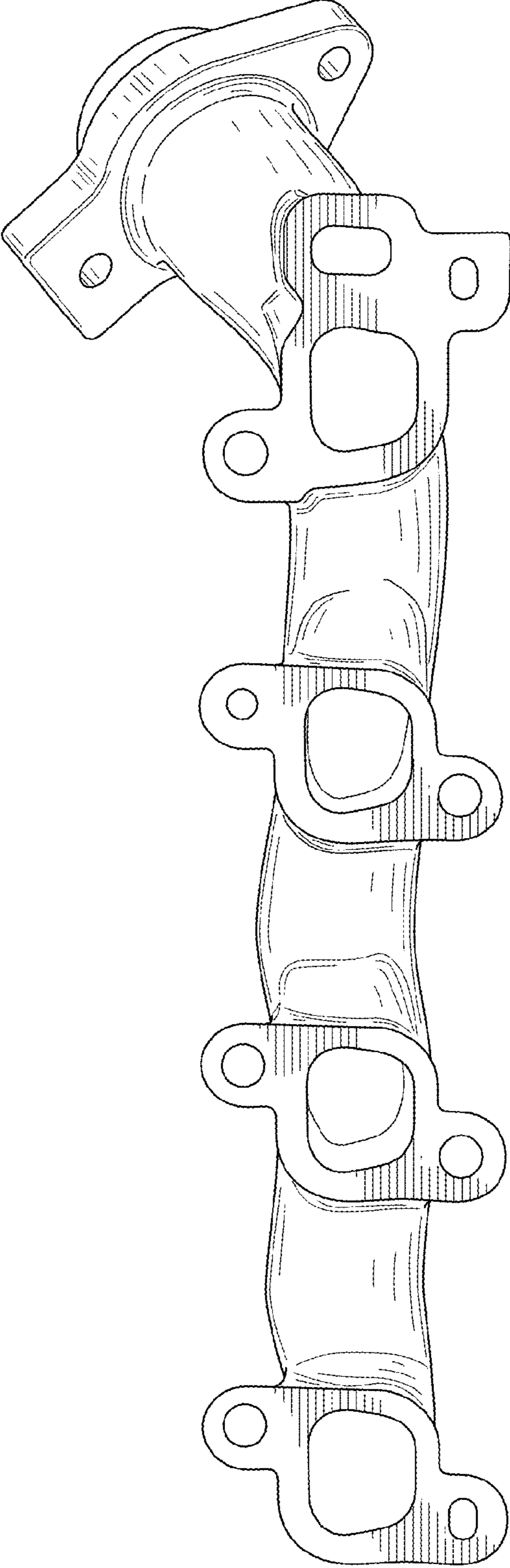
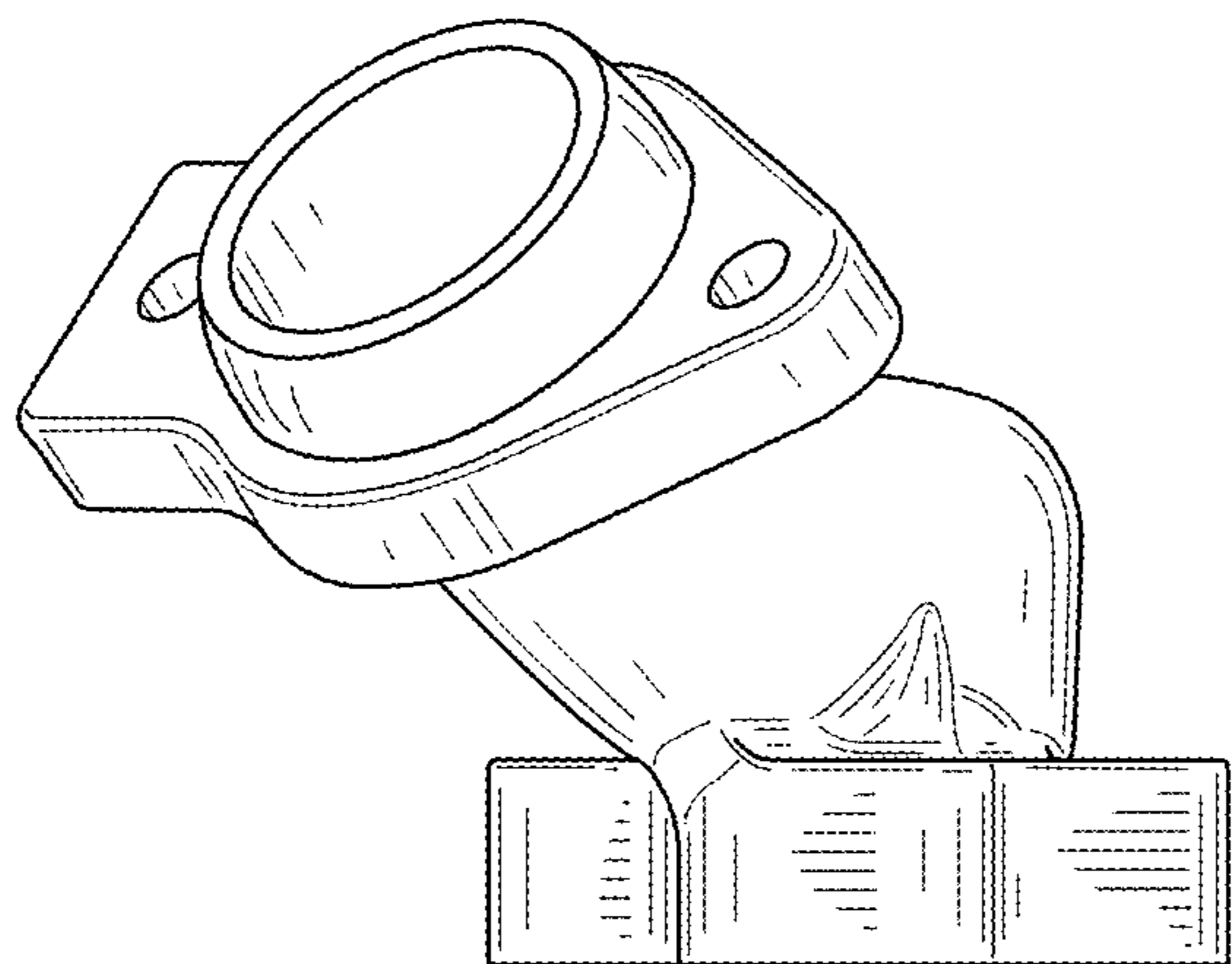
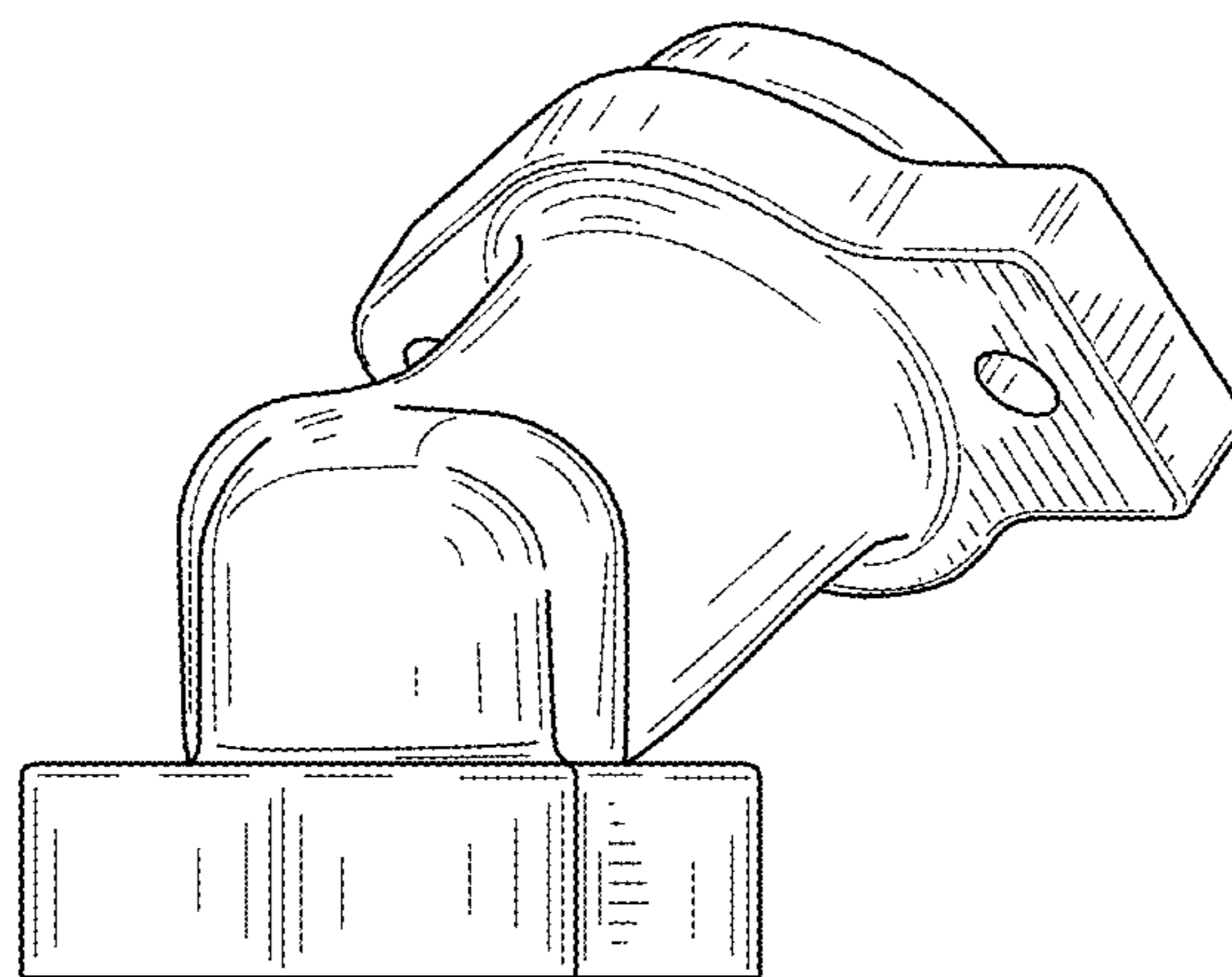


FIG. 6



**FIG. 7**



**FIG. 8**