



US00D700560S

(12) **United States Design Patent**
Glaeser

(10) **Patent No.:** **US D700,560 S**
(45) **Date of Patent:** **** Mar. 4, 2014**

(54) **EXHAUST MANIFOLD**
(71) Applicant: **RBMark, Inc.**, Wilmington, DE (US)
(72) Inventor: **G. Zachary Glaeser**, Ivyland, PA (US)
(73) Assignee: **RBMark, Inc.**, Wilmington, DE (US)
(**) Term: **14 Years**
(21) Appl. No.: **29/437,025**
(22) Filed: **Nov. 12, 2012**
(51) **LOC (10) Cl.** **12-16**
(52) **U.S. Cl.**
USPC **D12/194**
(58) **Field of Classification Search**
USPC D12/194; 180/89.2, 296, 309;
181/227-228, 239-241, 264, 282,
181/247-249; D15/5; 29/890.08; 60/303,
60/313, 323; 285/127.2; 138/37-39, 44,
138/103, 109
See application file for complete search history.

5,860,278 A * 1/1999 Rodenkirch 60/313
6,327,854 B1 * 12/2001 Bonny et al. 60/323
7,171,805 B2 * 2/2007 Ruehle 60/323
7,565,800 B2 * 7/2009 Williams et al. 60/323
7,832,205 B2 * 11/2010 Ruehle 60/323
2005/0183414 A1 * 8/2005 Bien et al. 60/323

FOREIGN PATENT DOCUMENTS

FR 2575788 A1 * 7/1986 F01N 7/10
* cited by examiner

Primary Examiner — Michael A Pratt
(74) *Attorney, Agent, or Firm* — Volpe and Koenig, P.C.

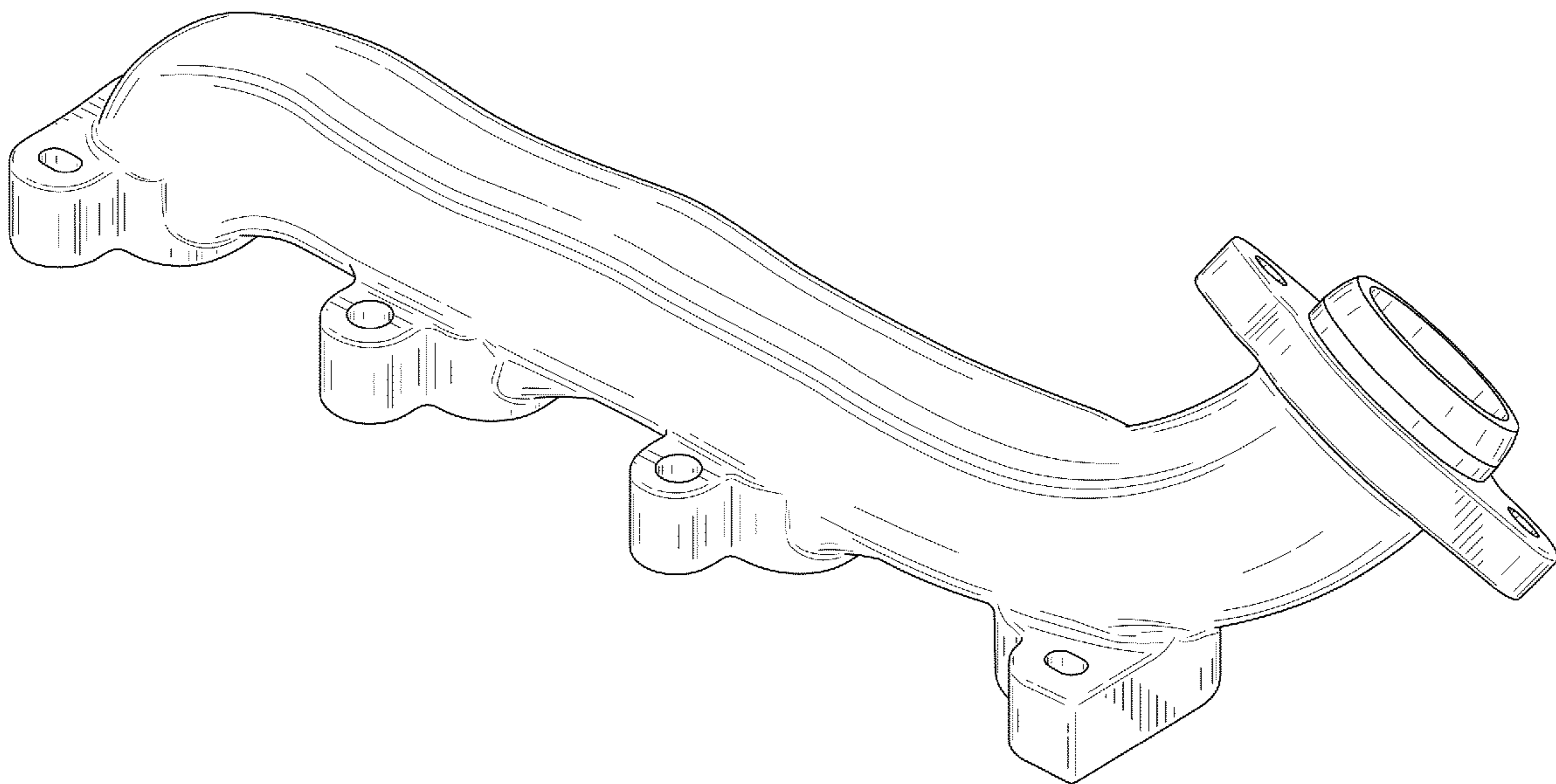
(57) **CLAIM**
The ornamental design for an exhaust manifold, as shown and described.

DESCRIPTION

FIG. 1 is a top perspective view of an exhaust manifold according to the invention;
FIG. 2 is a bottom perspective view of the invention in FIG. 1;
FIG. 3 is a left side elevation of the invention in FIG. 1;
FIG. 4 is a right side elevation of the invention in FIG. 1;
FIG. 5 is a top plan view of the invention in FIG. 1;
FIG. 6 is a bottom plan view of the invention in FIG. 1;
FIG. 7 is a front view of the invention in FIG. 1; and,
FIG. 8 is a rear view of the invention in FIG. 1.

1 Claim, 7 Drawing Sheets

(56) **References Cited**
U.S. PATENT DOCUMENTS
D372,250 S * 7/1996 Otsuka et al. D15/5
D376,602 S * 12/1996 Yamanaka et al. D15/5



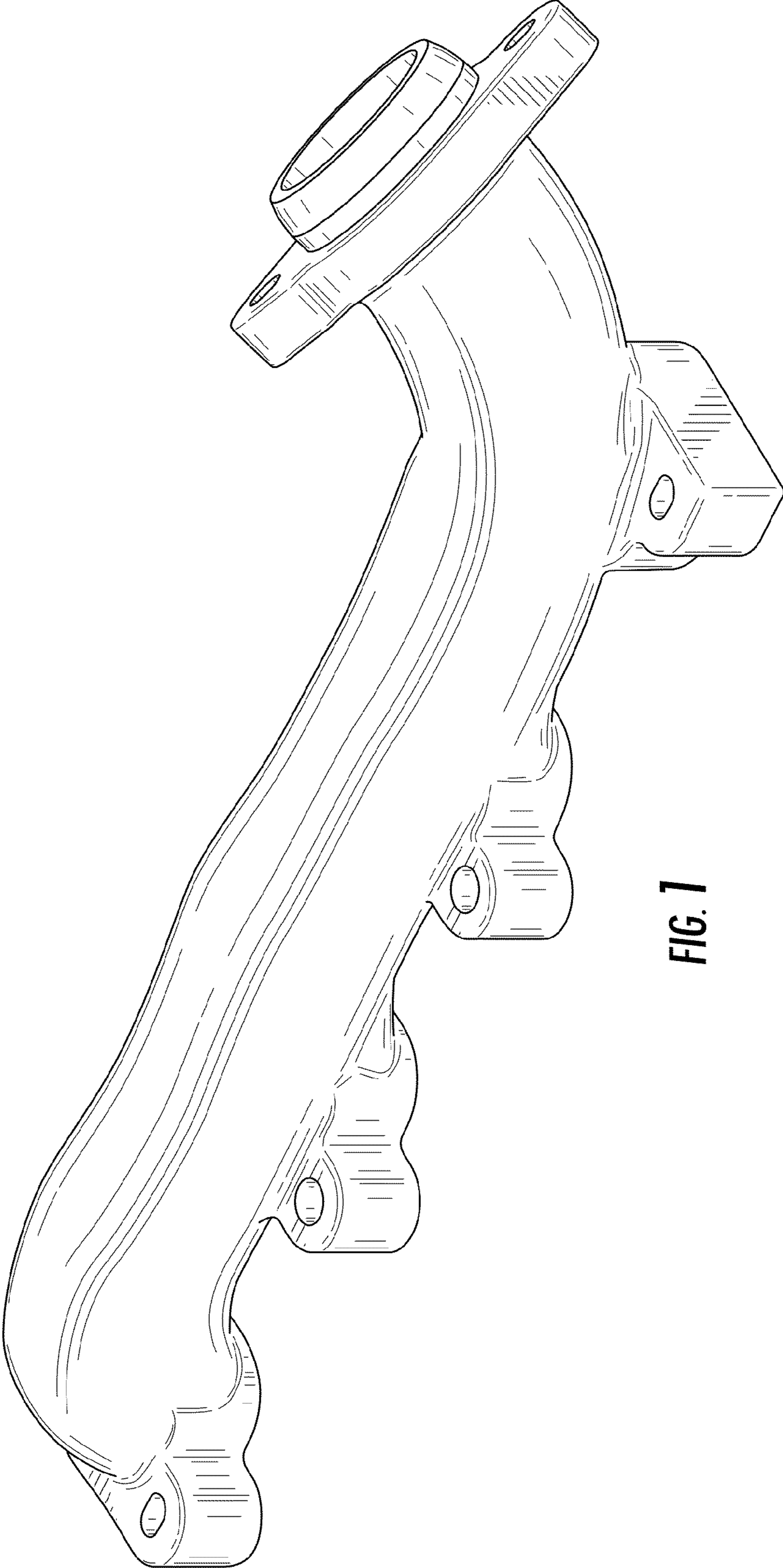


FIG. 1

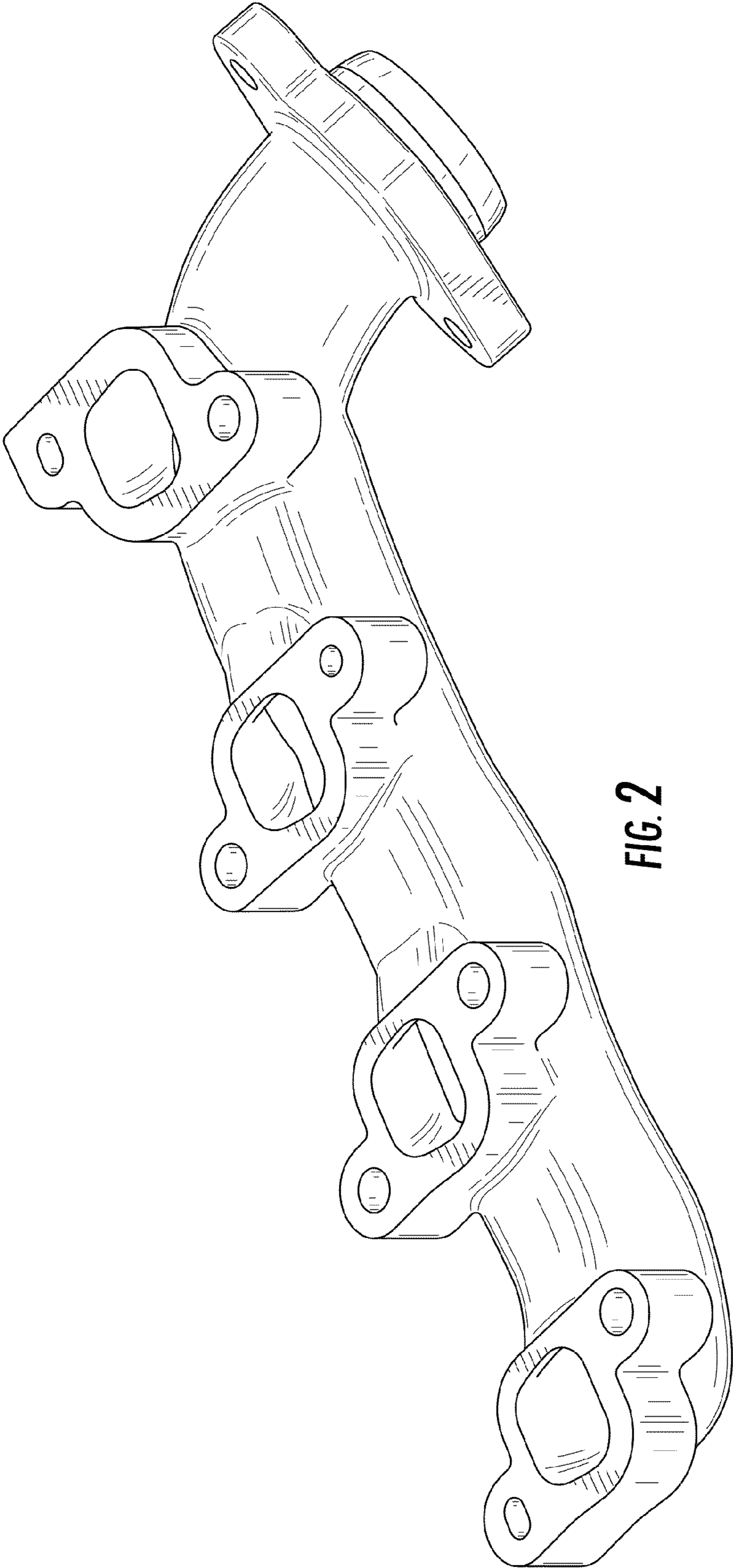


FIG. 2

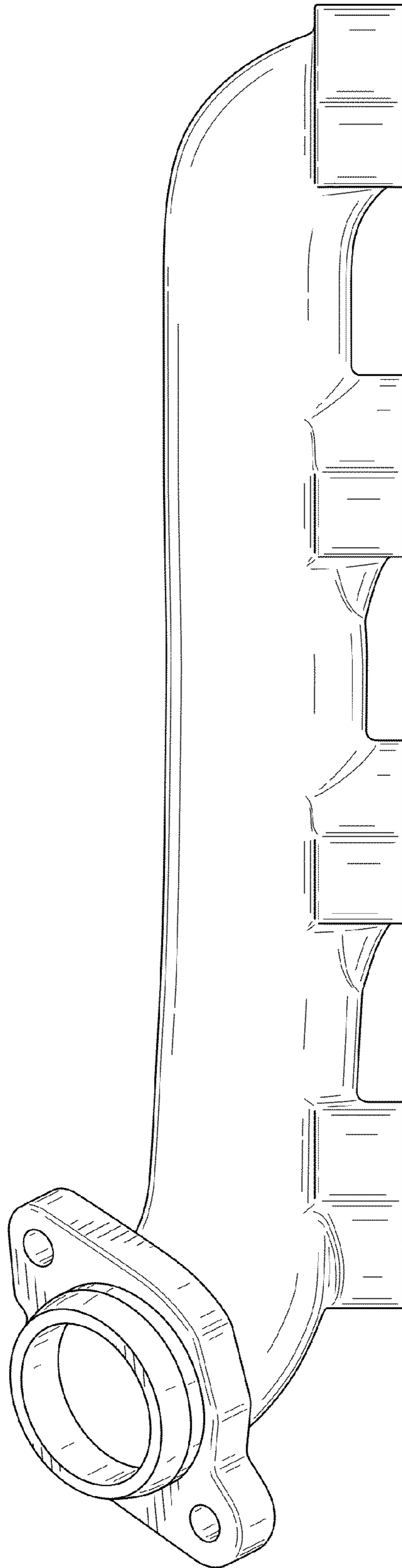


FIG. 3

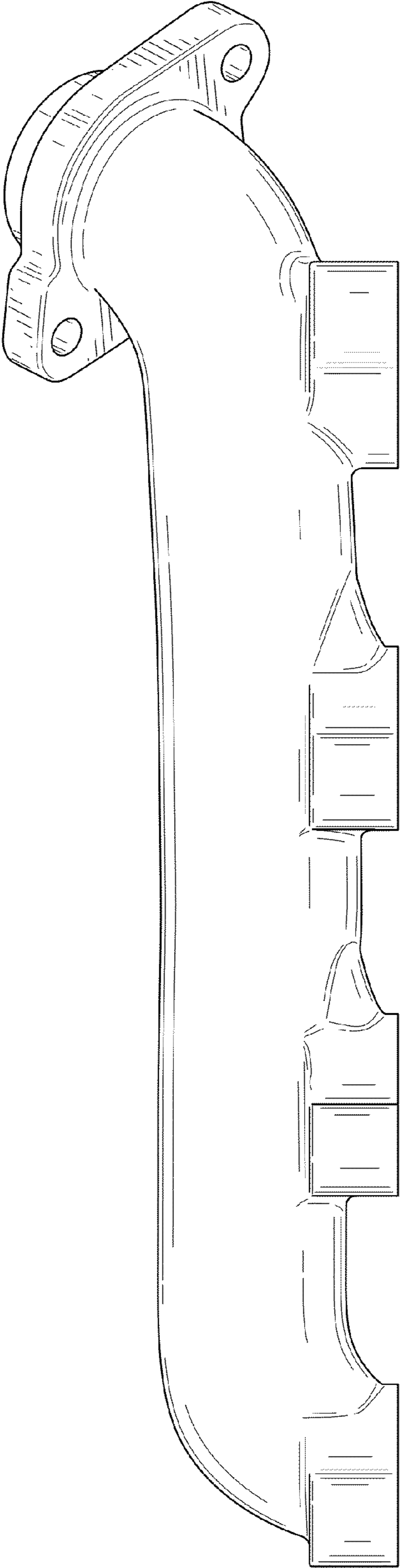


FIG. 4

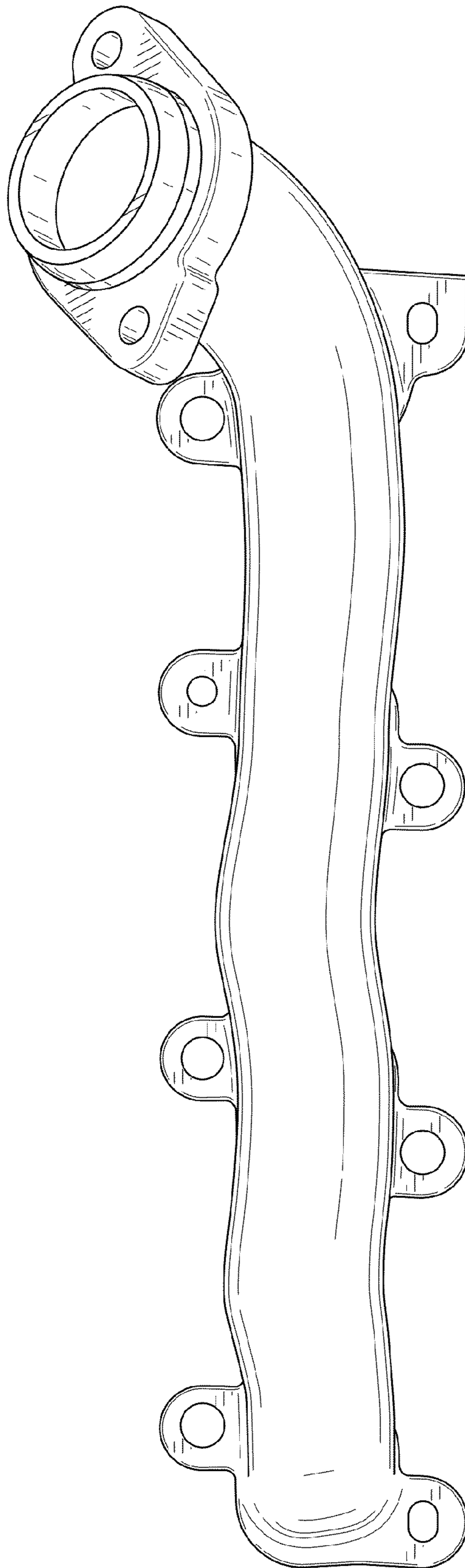


FIG. 5

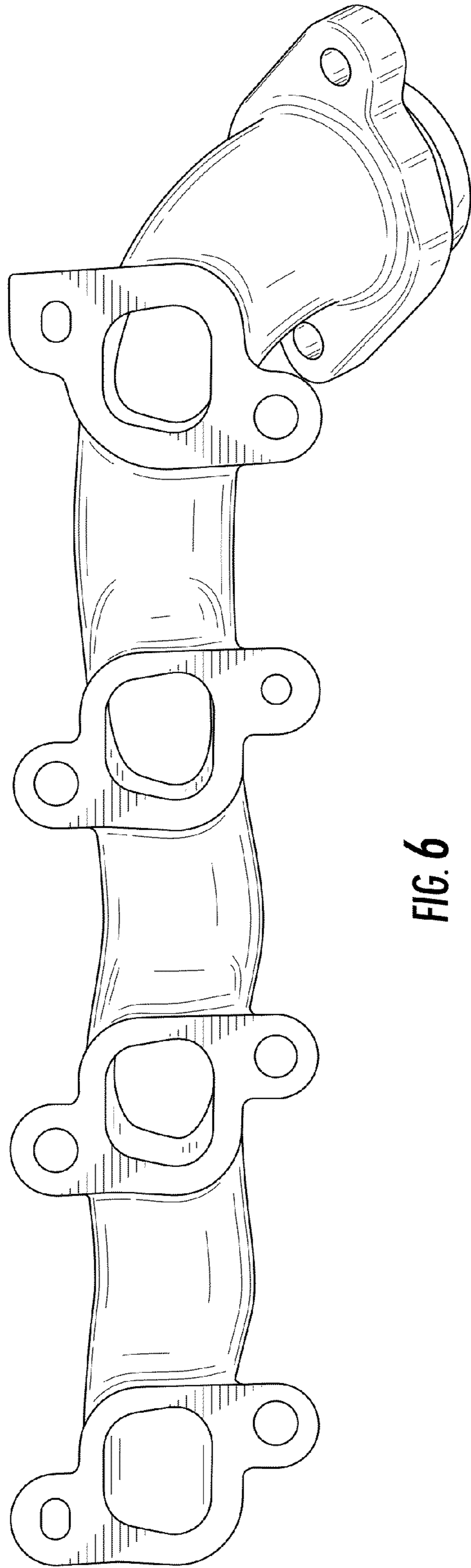


FIG. 6

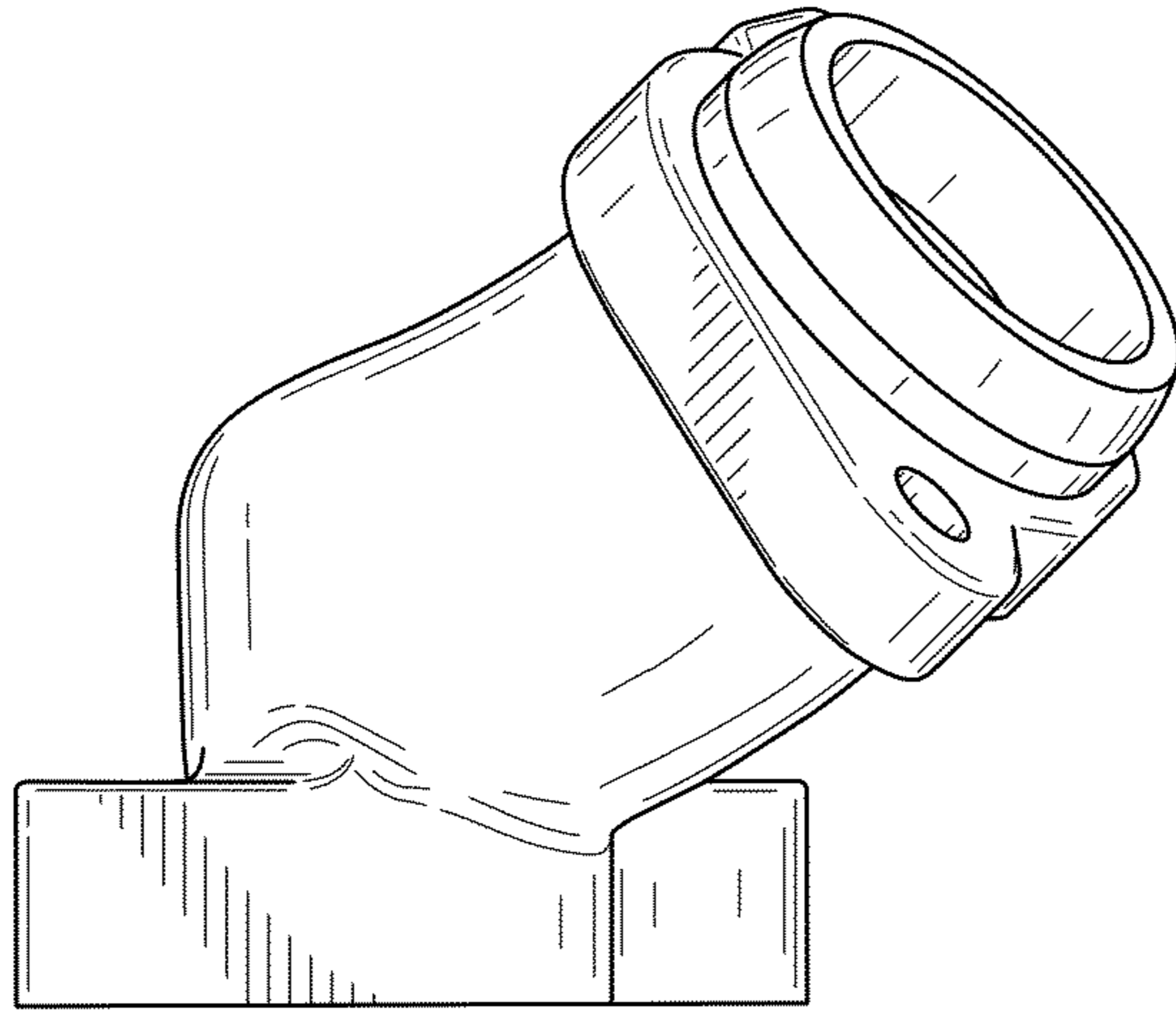


FIG. 7

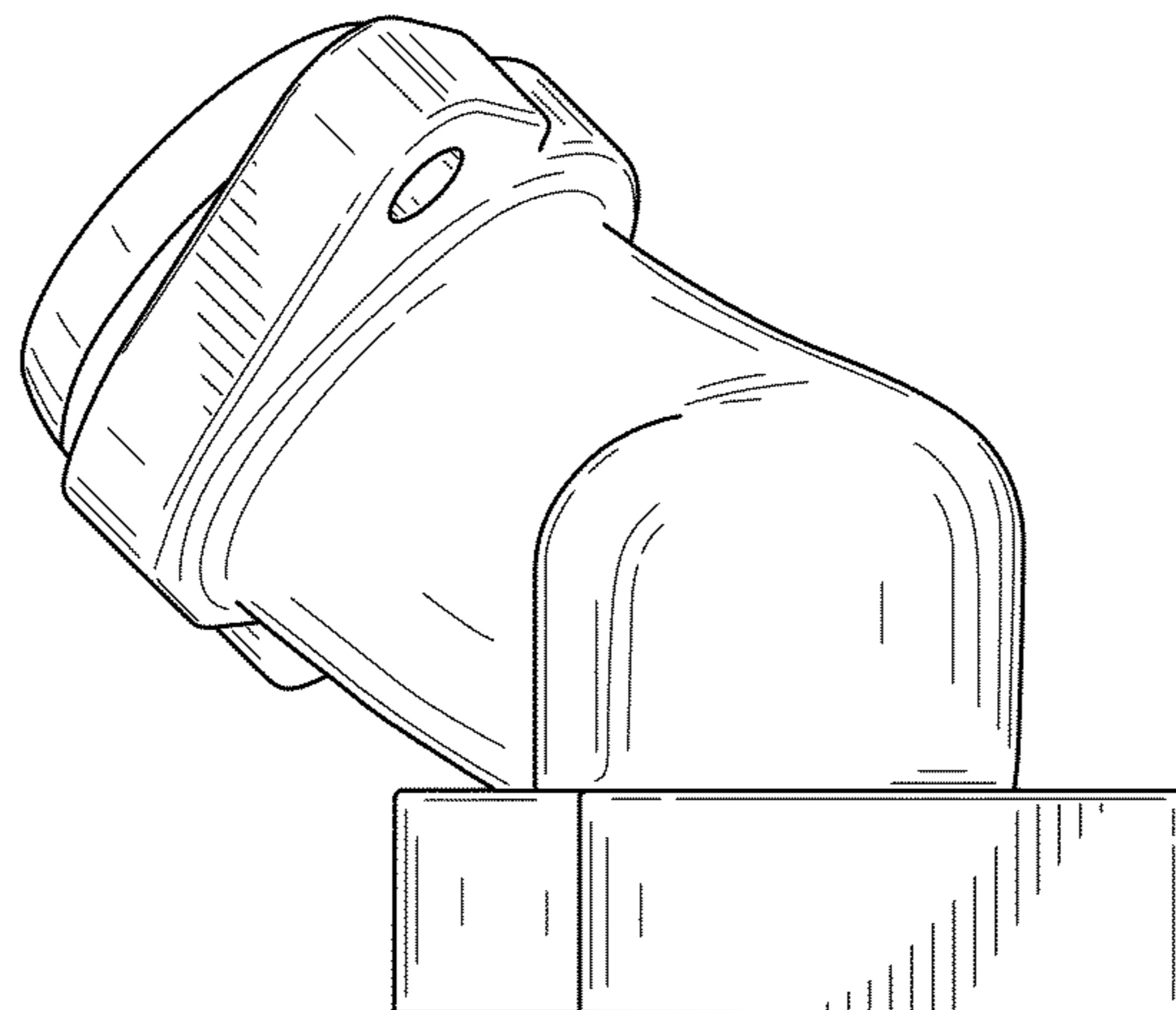


FIG. 8