



US00D700557S

(12) **United States Design Patent**  
**Glaeser**

(10) **Patent No.:** **US D700,557 S**  
(45) **Date of Patent:** **\*\* Mar. 4, 2014**

(54) **EXHAUST MANIFOLD**

(71) Applicant: **RBMark, Inc.**, Wilmington, DE (US)

(72) Inventor: **G. Zachary Glaeser**, Ivyland, PA (US)

(73) Assignee: **RBMark, Inc.**, Wilmington, DE (US)

(\*\*) Term: **14 Years**

(21) Appl. No.: **29/437,021**

(22) Filed: **Nov. 12, 2012**

(51) **LOC (10) Cl.** ..... **12-16**

(52) **U.S. Cl.**  
USPC ..... **D12/194**

(58) **Field of Classification Search**  
USPC ..... D12/194; 180/89.2, 296, 309;  
181/227-228, 239-241, 264, 282,  
181/247-249; D15/5; 29/890.08; 60/303,  
60/313, 323; 285/127.2; 138/37-39, 44,  
138/103, 109

See application file for complete search history.

(56) **References Cited**

U.S. PATENT DOCUMENTS

3,206,836 A \* 9/1965 Schlussler ..... 29/890.08  
5,636,515 A \* 6/1997 Matsumoto et al. .... 60/323

\* cited by examiner

*Primary Examiner* — Michael A Pratt

(74) *Attorney, Agent, or Firm* — Volpe and Koenig, P.C.

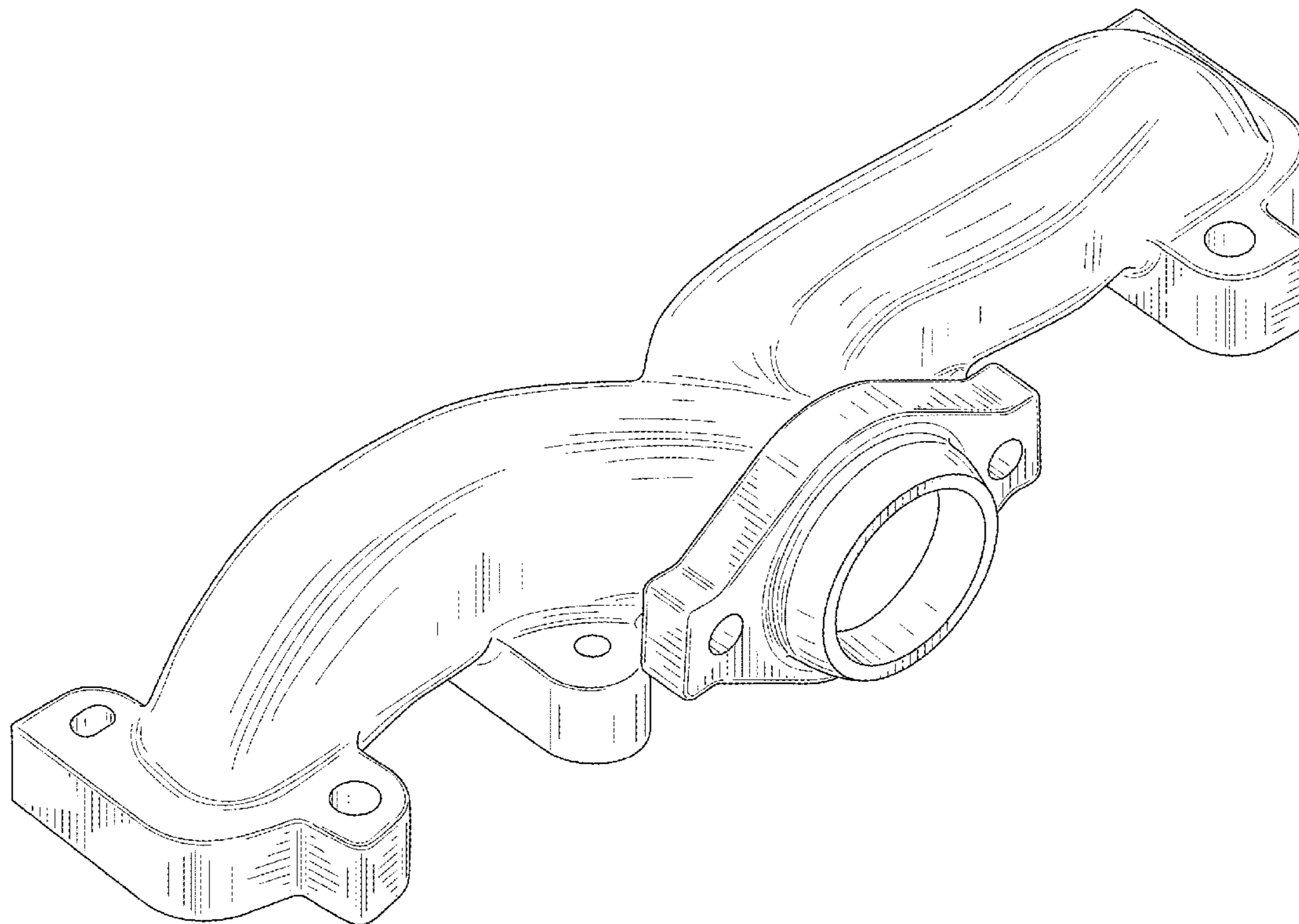
(57) **CLAIM**

The ornamental design for an exhaust manifold, as shown and described.

**DESCRIPTION**

FIG. 1 is a top perspective view of an exhaust manifold according to the invention;  
FIG. 2 is a bottom perspective view of the invention in FIG. 1;  
FIG. 3 is a right side elevation of the invention in FIG. 1;  
FIG. 4 is a left side elevation of the invention in FIG. 1;  
FIG. 5 is a top plan view of the invention in FIG. 1;  
FIG. 6 is a bottom plan view of the invention in FIG. 1;  
FIG. 7 is a rear view of the invention in FIG. 1; and,  
FIG. 8 is a front view of the invention in FIG. 1.

**1 Claim, 6 Drawing Sheets**



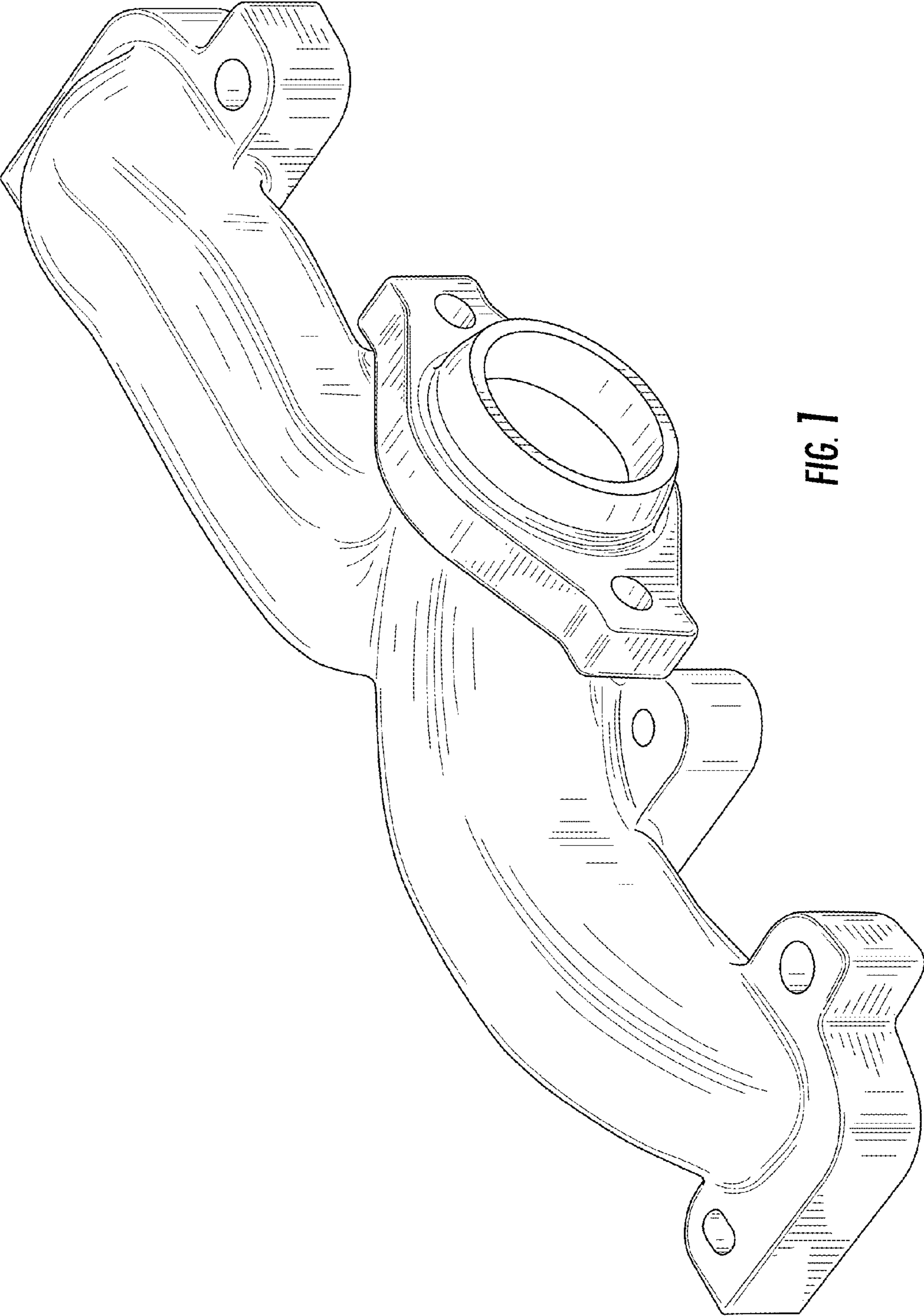


FIG. 1

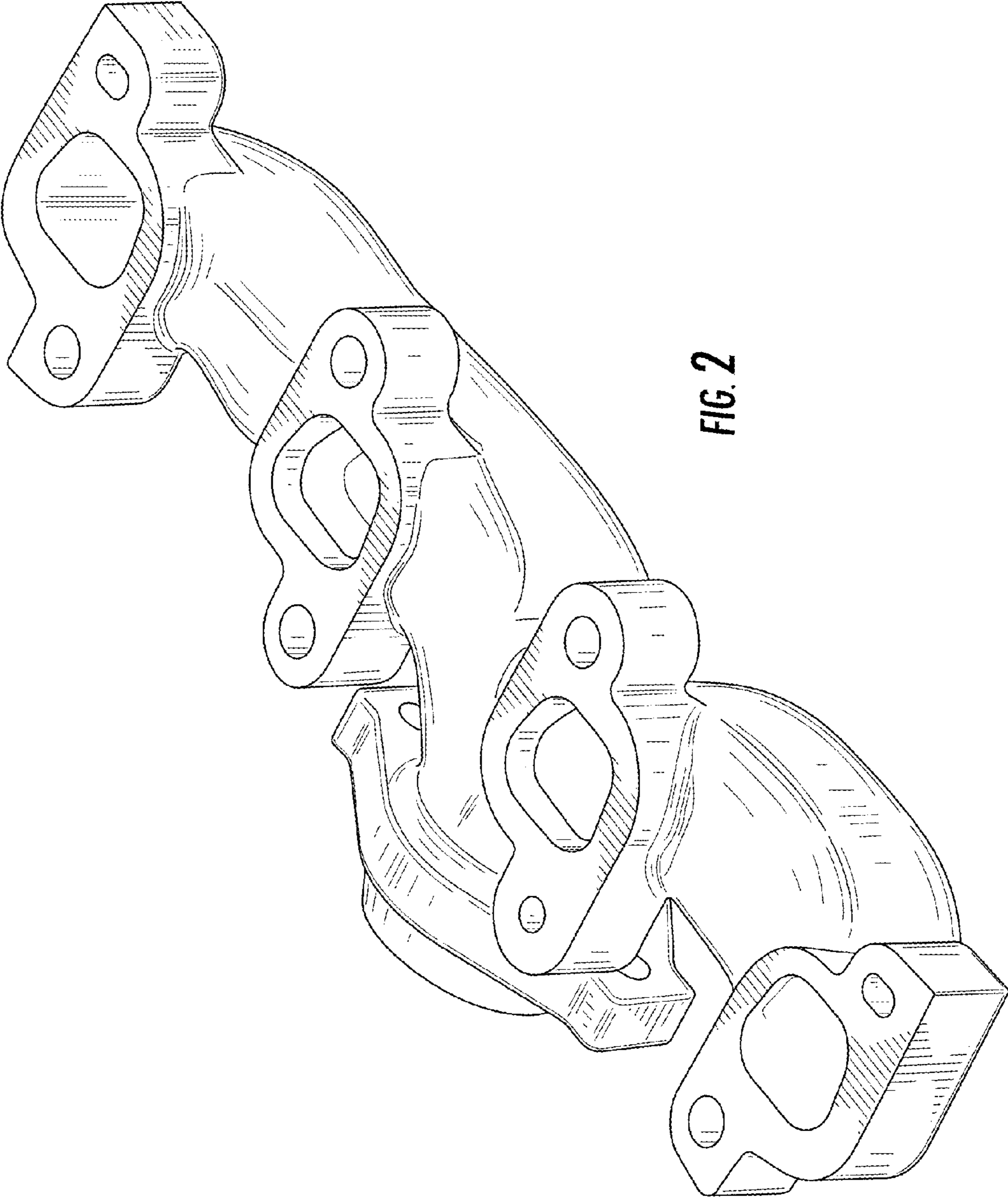


FIG. 2

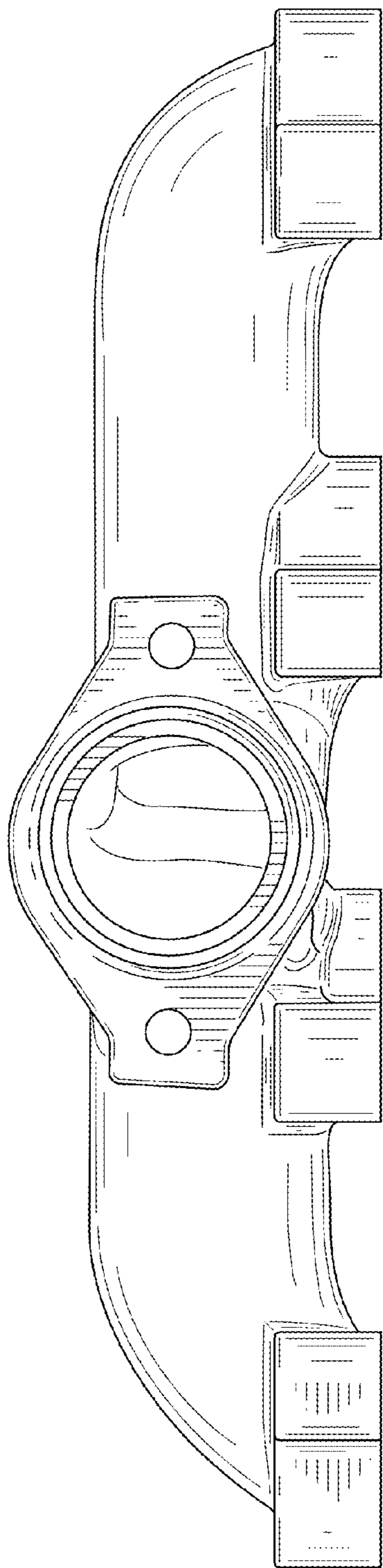


FIG. 3

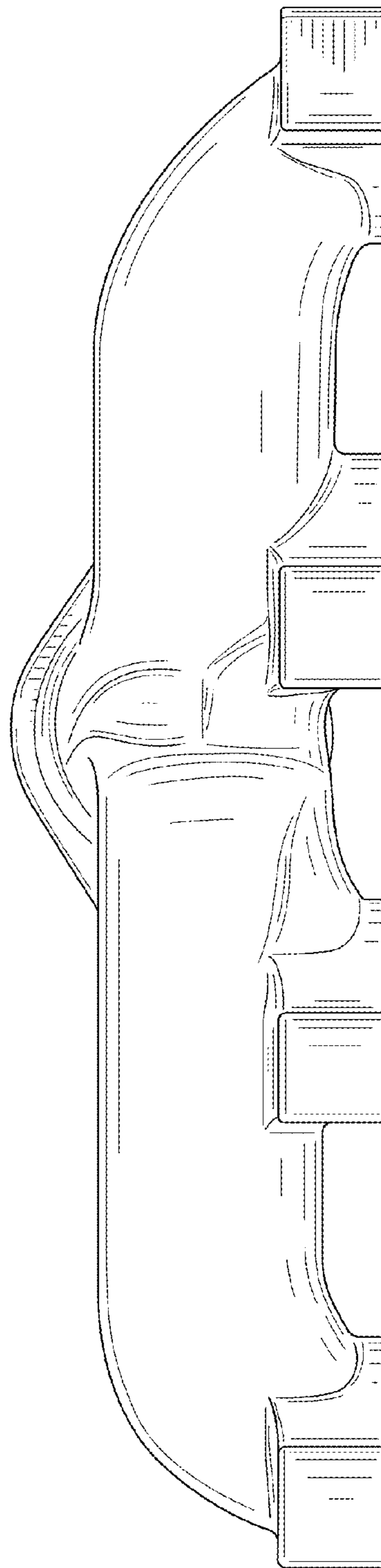


FIG. 4

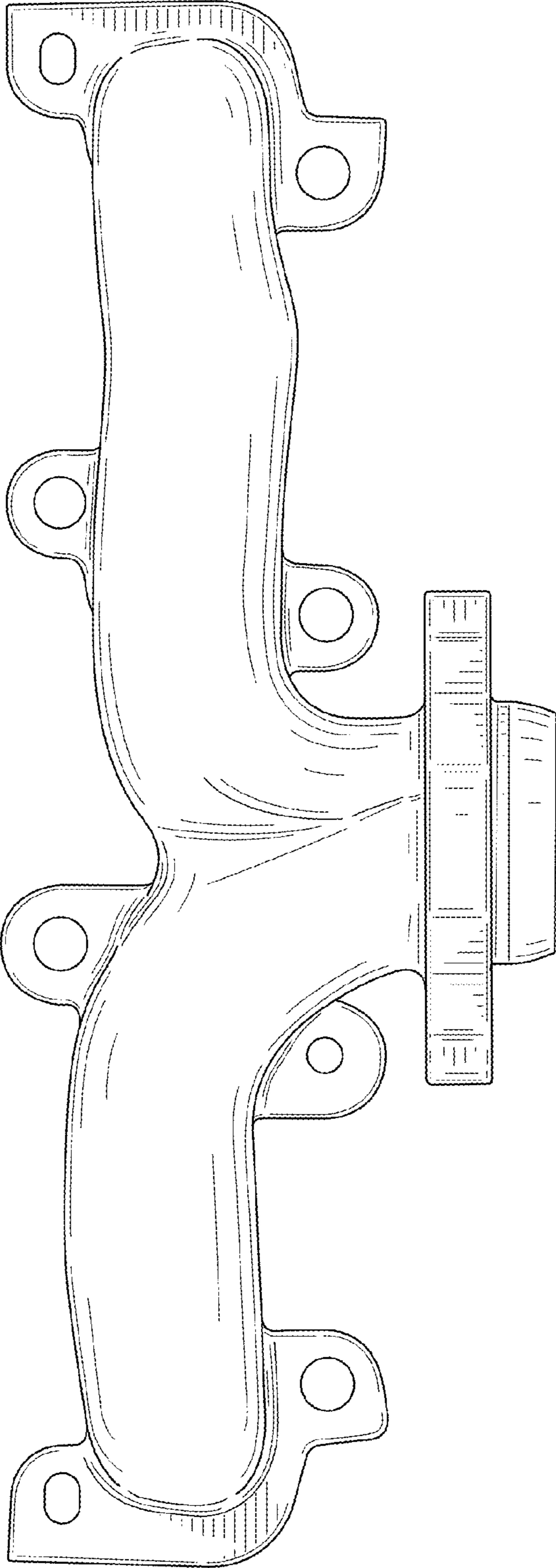


FIG. 5

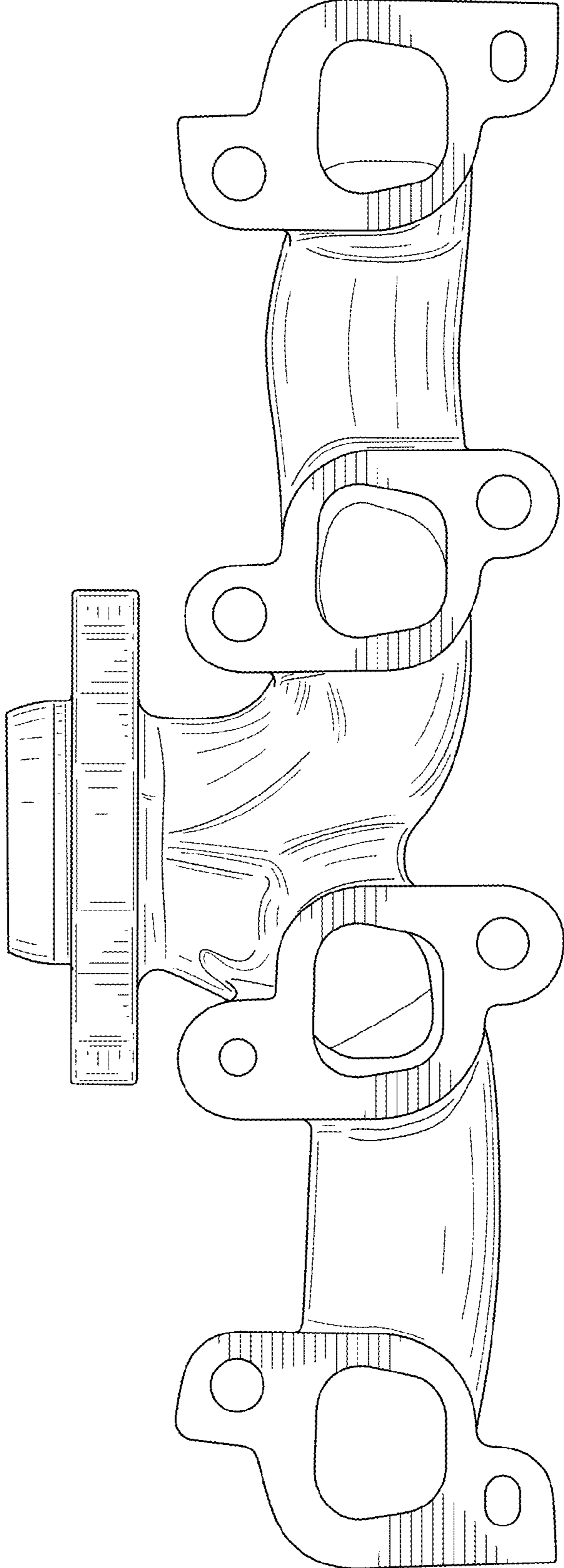
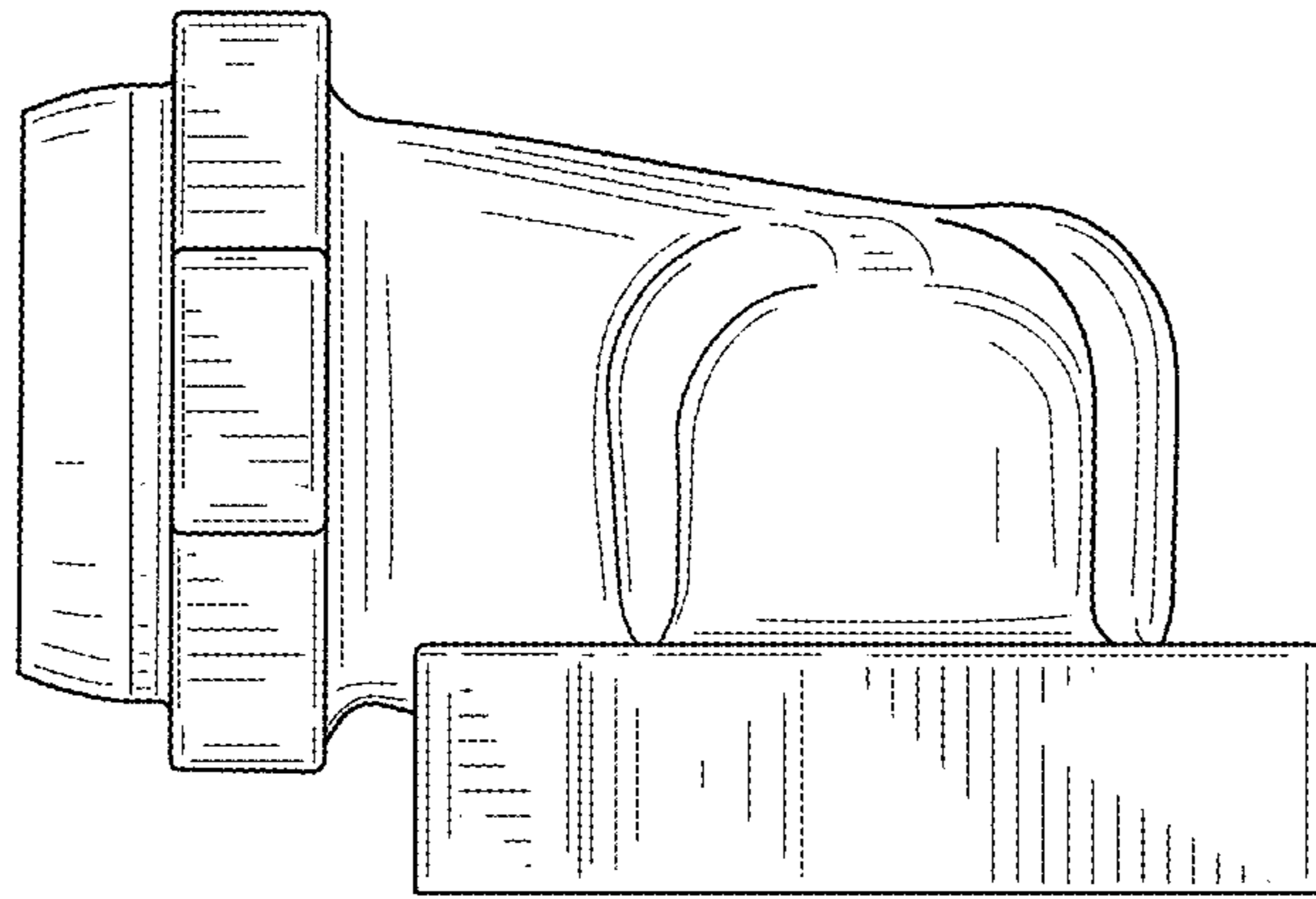
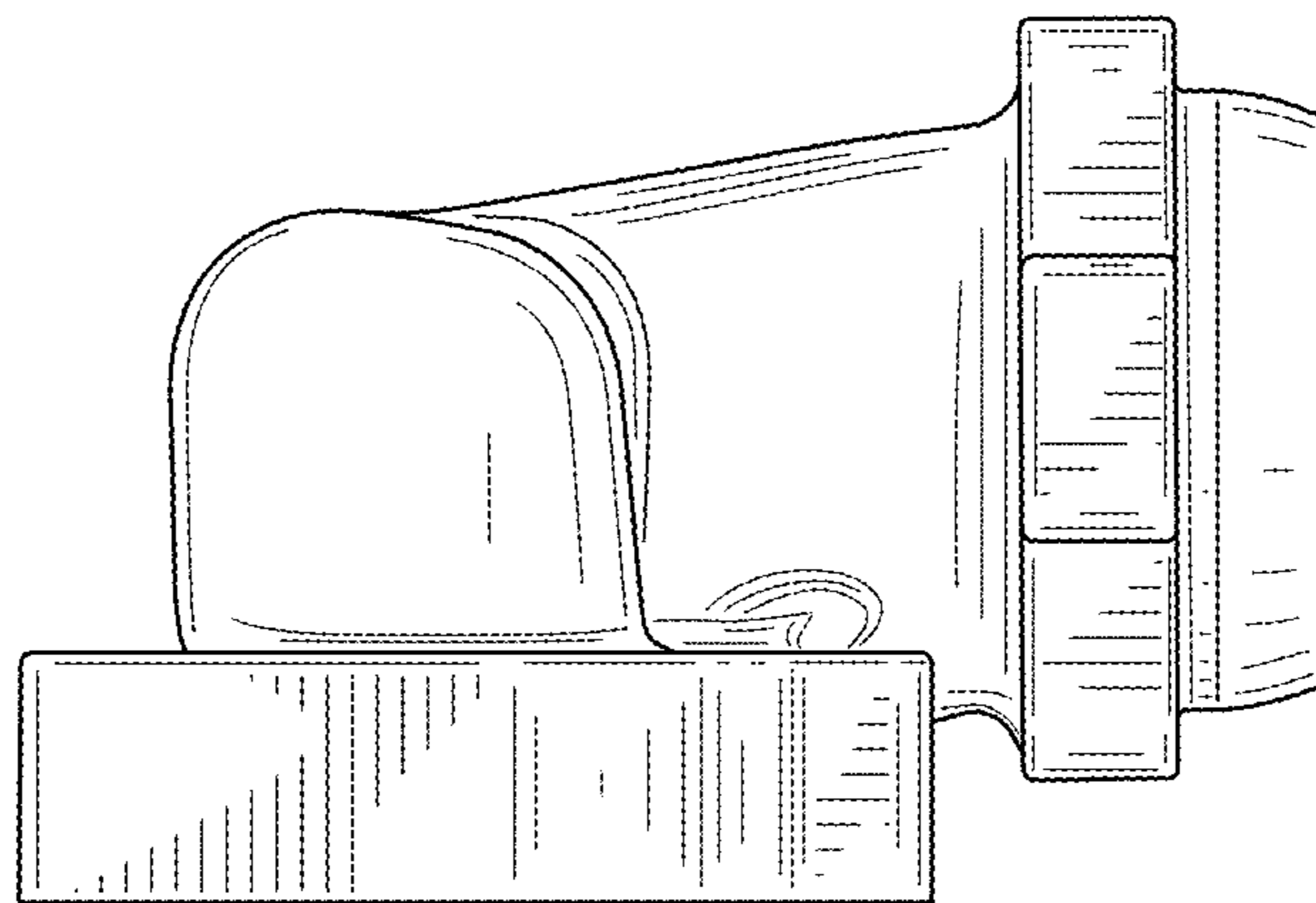


FIG. 6



**FIG. 7**



**FIG. 8**