



US00D700553S

(12) **United States Design Patent**
Spencer et al.

(10) **Patent No.:** **US D700,553 S**
(45) **Date of Patent:** **** Mar. 4, 2014**

(54) **LICENSE PLATE FRAME**

(71) Applicant: **Cruiser Accessories, LLC**, Monument, CO (US)

(72) Inventors: **Todd Spencer**, Monument, CO (US); **Eldon Goates**, Colorado Springs, CO (US); **Bret Zelenka**, Monument, CO (US); **Michael J. Schwartz**, Colorado Springs, CO (US)

(73) Assignee: **Cruiser Accessories, LLC**, Monument, CO (US)

(**) Term: **14 Years**

(21) Appl. No.: **29/442,708**

(22) Filed: **Apr. 24, 2013**

(51) **LOC (10) Cl.** **12-16**

(52) **U.S. Cl.**
USPC **D12/193**

(58) **Field of Classification Search**
USPC D12/193; D6/300–302, 310–314;
40/200–204, 207–214; D20/13;
348/148, 373

See application file for complete search history.

(56) **References Cited**

U.S. PATENT DOCUMENTS

D524,210 S *	7/2006	Spencer	D12/193
D524,708 S *	7/2006	Spencer	D12/193
D537,395 S *	2/2007	Magee	D12/193
D566,025 S *	4/2008	Hu	D12/193
D602,831 S *	10/2009	Spencer et al.	D12/193
D676,792 S *	2/2013	Benjamini et al.	D12/193
D689,804 S *	9/2013	Spencer et al.	D12/193
D691,534 S *	10/2013	Spencer et al.	D12/193

* cited by examiner

Primary Examiner — Stacia Cadmus

(74) *Attorney, Agent, or Firm* — Linda Flewellen Gould

(57) **CLAIM**

The ornamental design for a license plate frame, as shown and described.

DESCRIPTION

FIG. 1 is a perspective front view showing our new design for a license plate frame.

FIG. 2 is a magnified view of a portion of the license plate frame shown in FIG. 1.

FIG. 3 is a front view of the license plate frame of the present invention.

FIG. 4 is a back view of the license plate frame of the present invention.

FIG. 5 is a right side view of the license plate frame of the present invention, the left side view being the mirror image thereof.

FIG. 6 is a top view of the license plate frame of the present invention, the bottom view being the mirror image thereof.

FIG. 7 is a front view showing a second embodiment of our design for a license plate frame, with the belt buckle in a different location on the frame than shown in FIG. 1.

FIG. 8 is a front perspective view of a third embodiment of our design for a license plate frame, with the outer row of ornamentation moved closer to the inner row of ornamentation than in the configuration shown in FIG. 1 and additional ornamentation applied to the buckle.

FIG. 9 is a magnified view of a portion of the license plate frame shown in FIG. 8.

FIG. 10 is a front view of the license plate frame shown in FIG. 8.

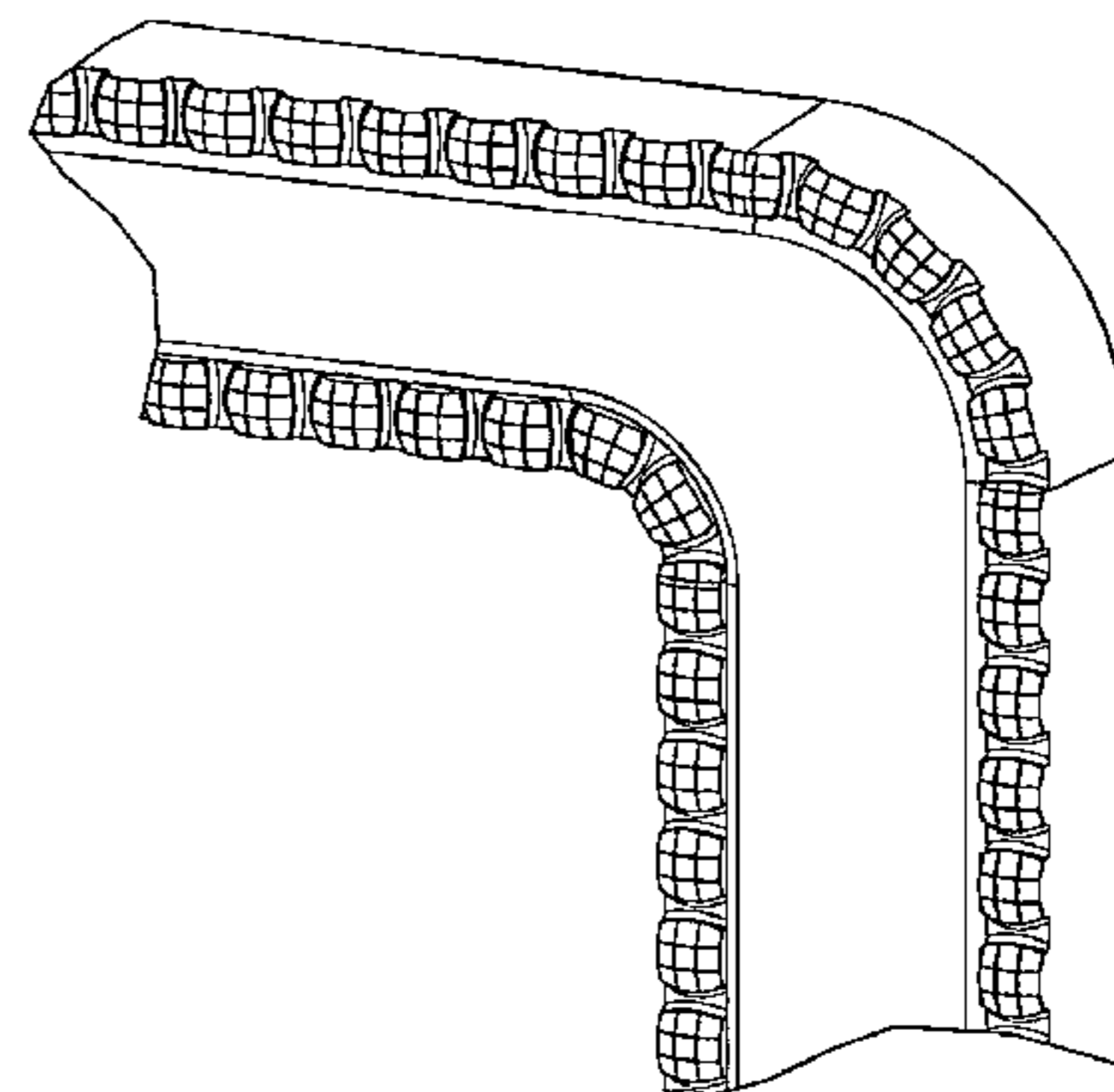
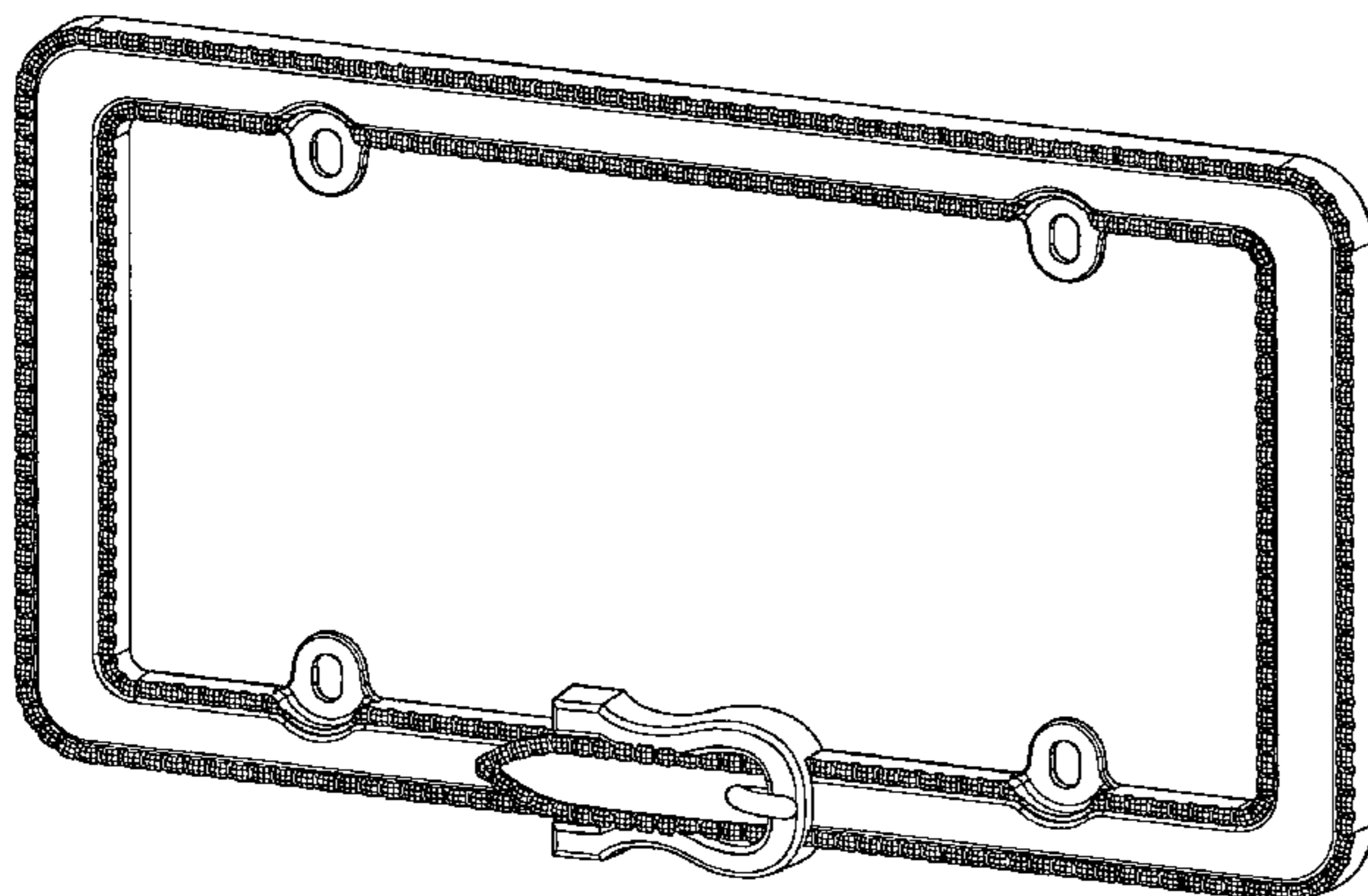
FIG. 11 is a back view of the license plate frame shown in FIG. 8.

FIG. 12 is a right side view of the license plate frame shown in FIG. 8, the left side view being the mirror image thereof.

FIG. 13 is a top view of the license plate frame shown in FIG. 8, the bottom view being the mirror image thereof; and,

FIG. 14 is a fourth embodiment of our design for a license plate frame, with the belt buckle shown in a different location on the frame than shown in FIG. 8.

1 Claim, 8 Drawing Sheets



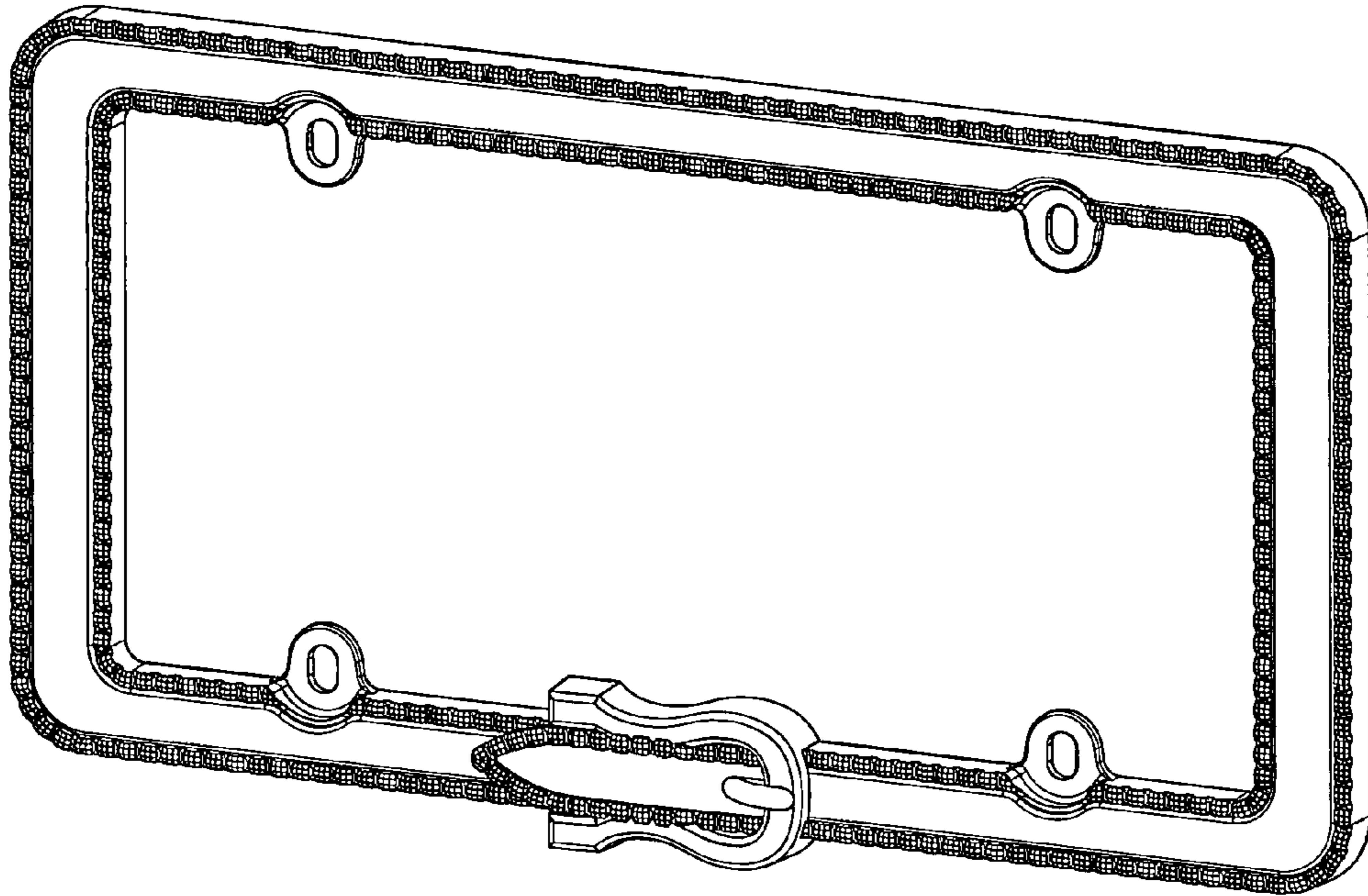


Figure 1

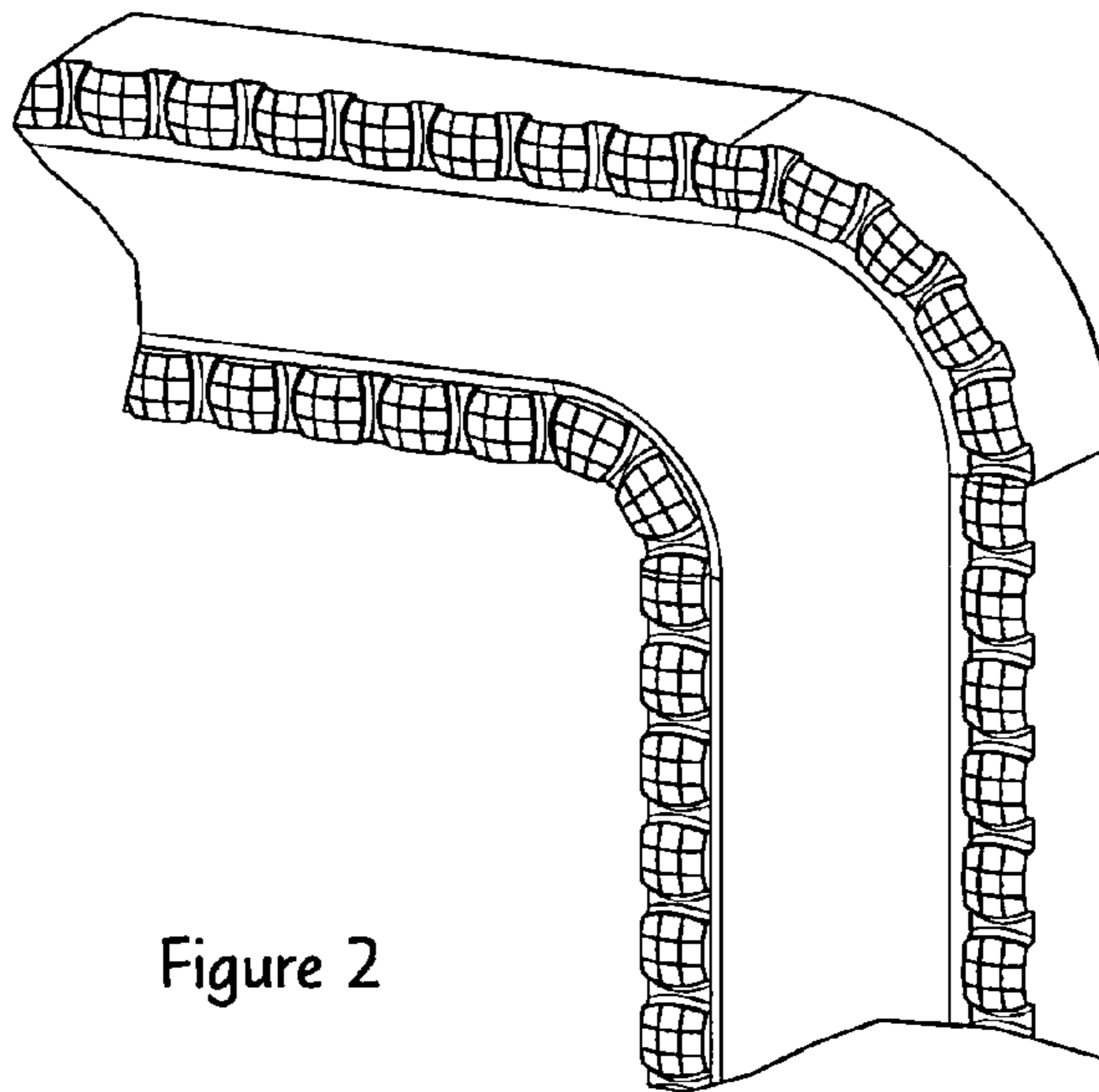


Figure 2

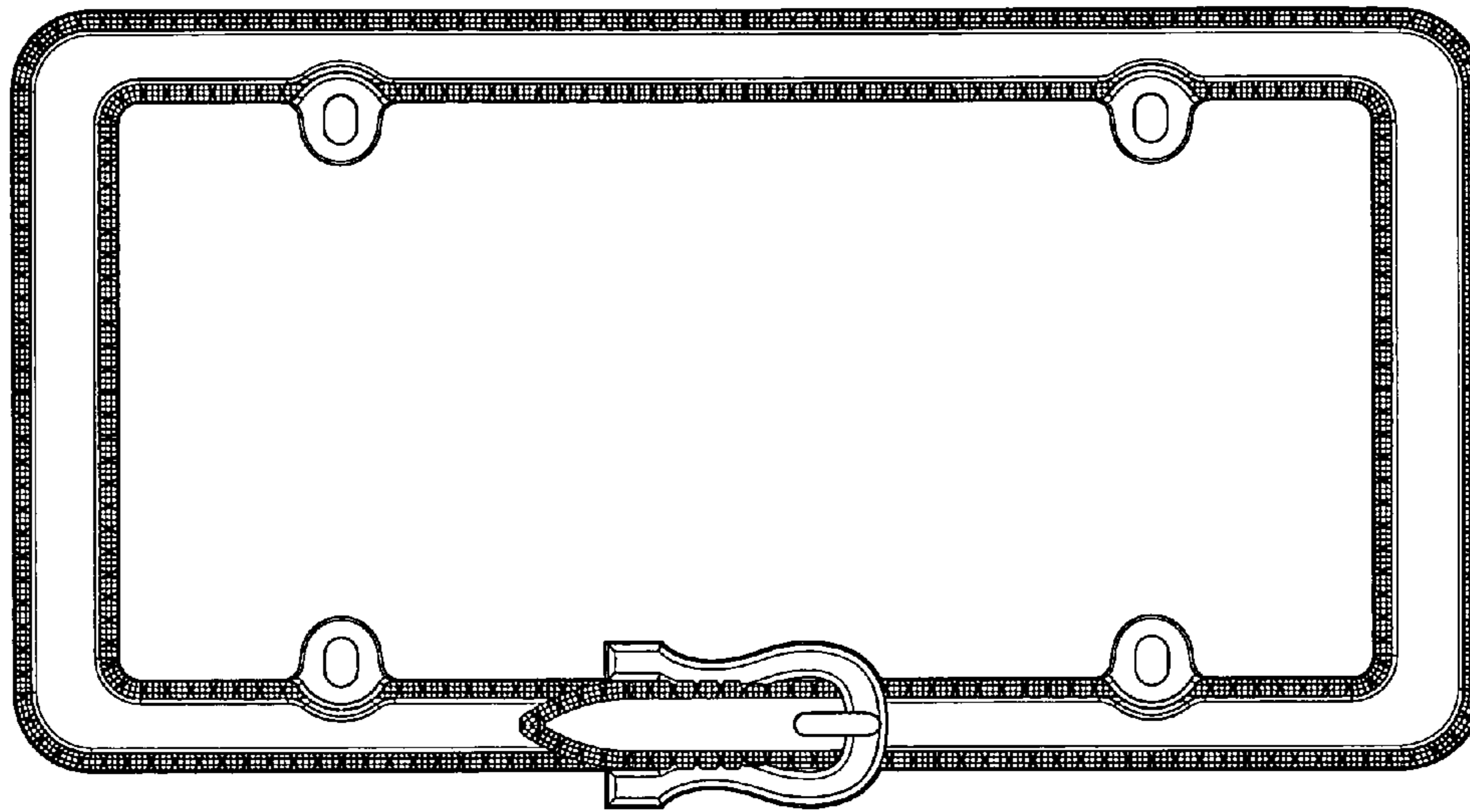


Figure 3

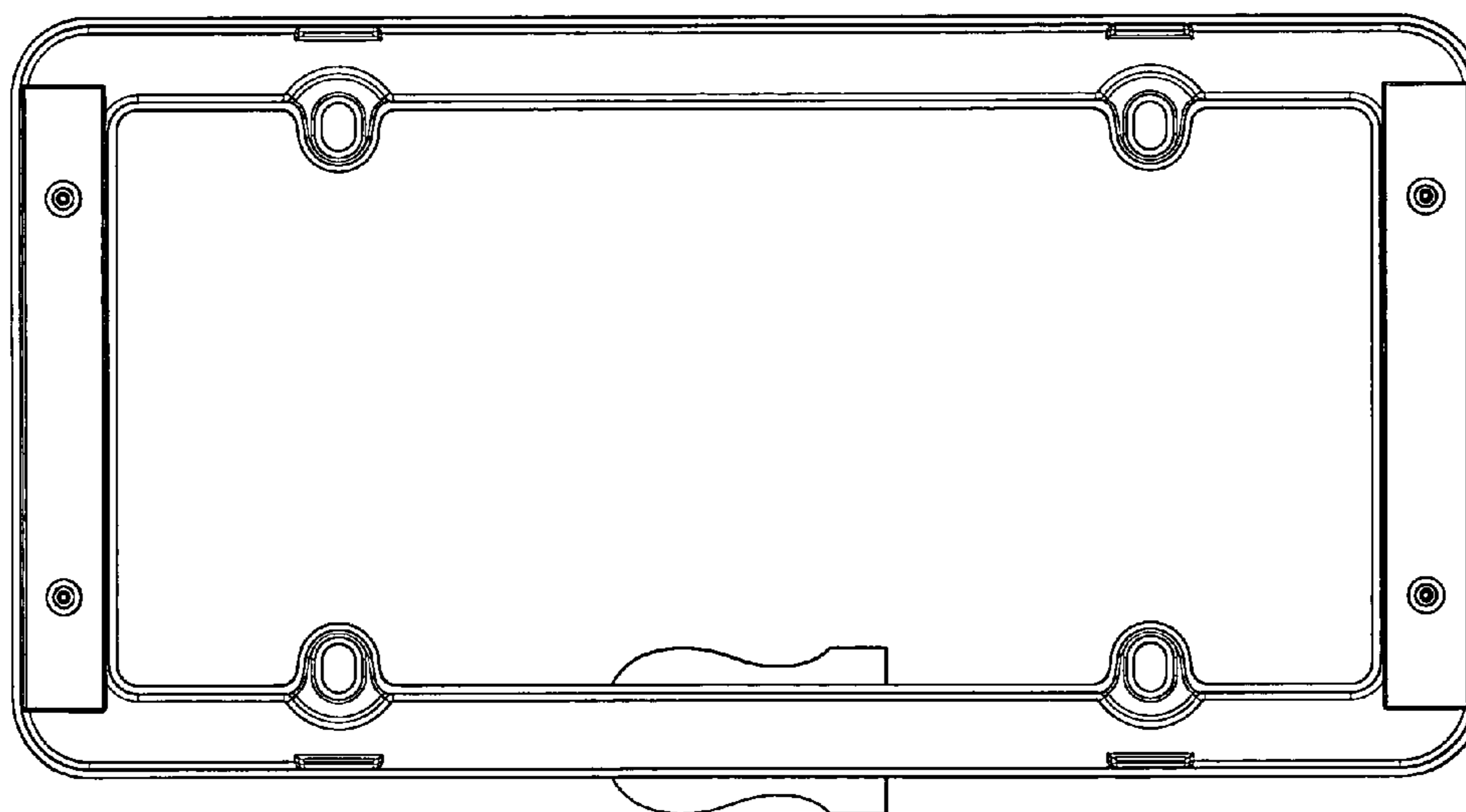


Figure 4

Figure 5

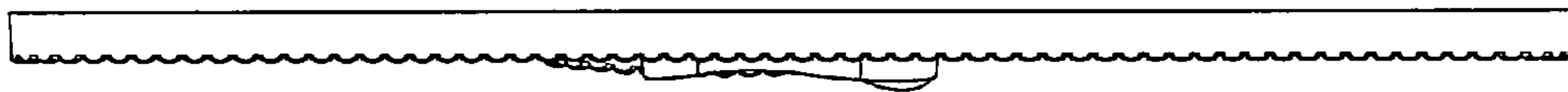


Figure 6

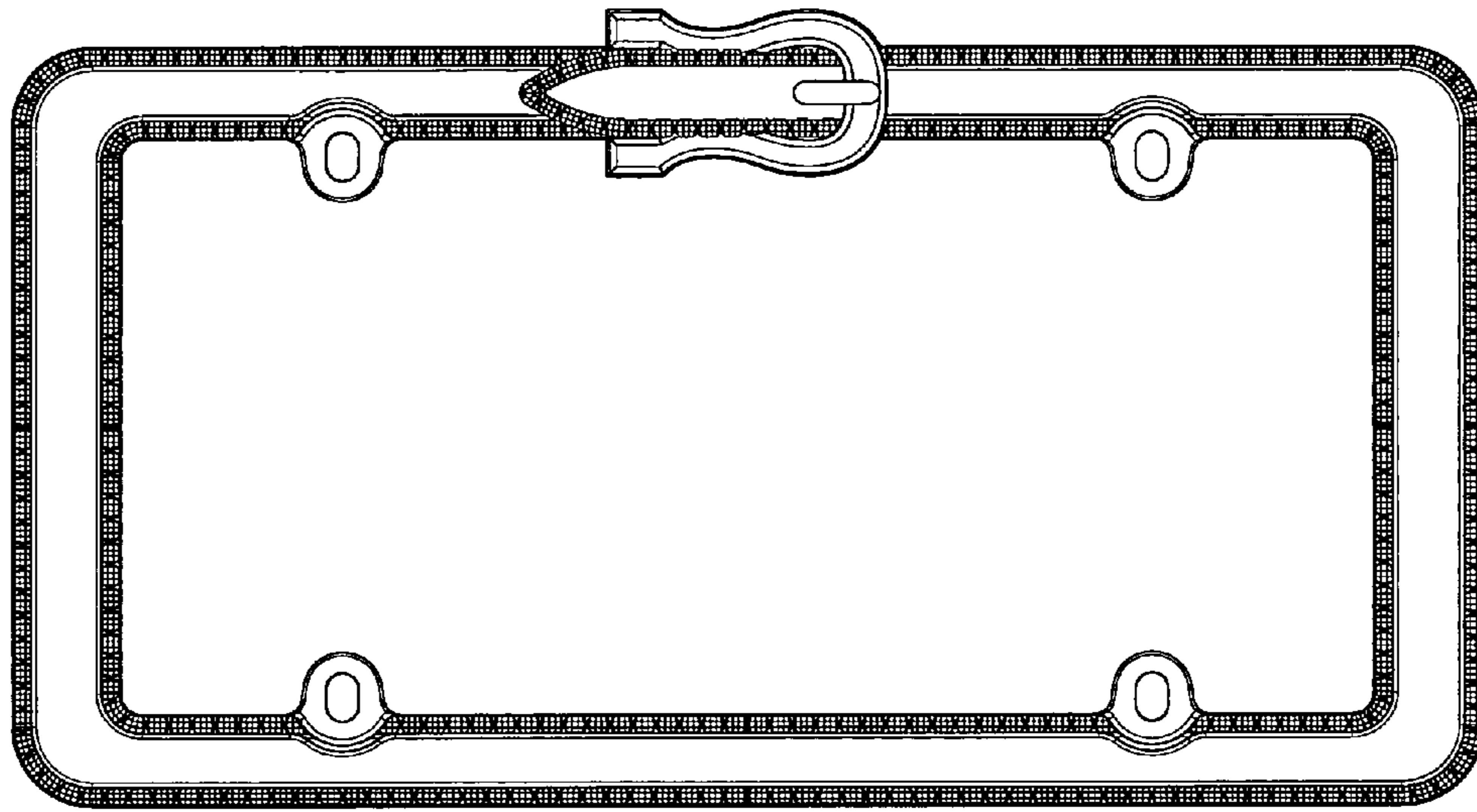


Figure 7

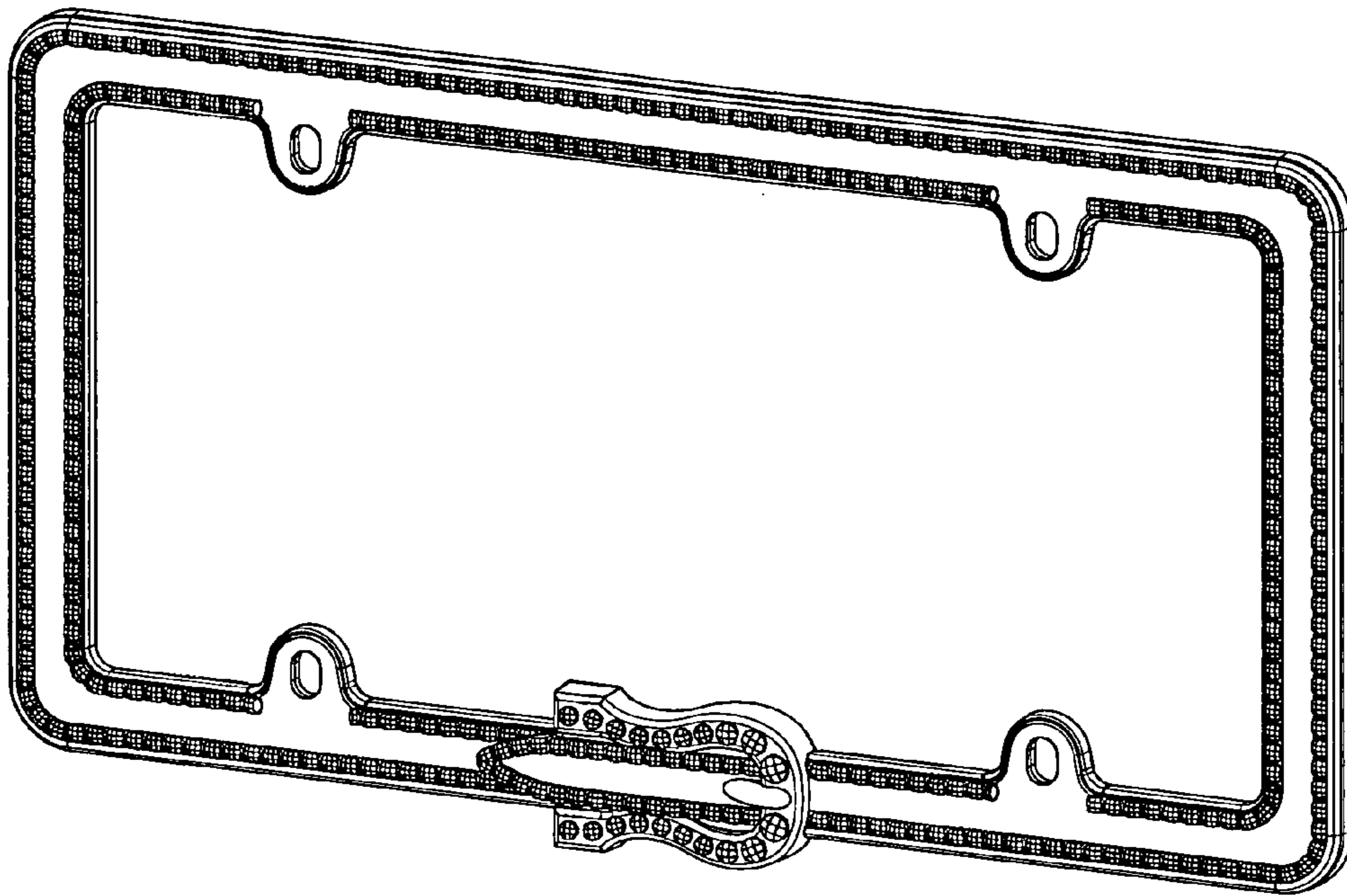


Figure 8

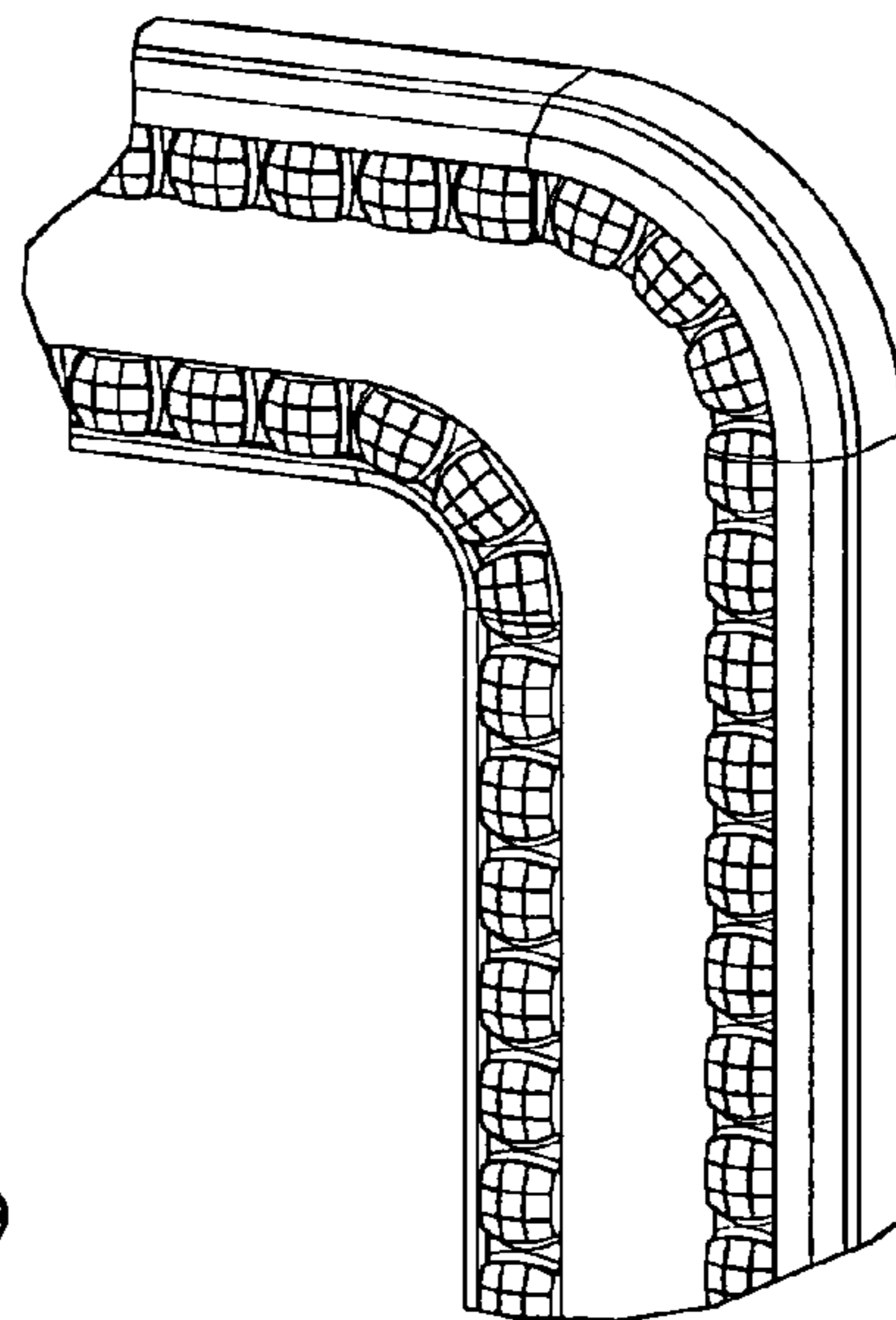


Figure 9

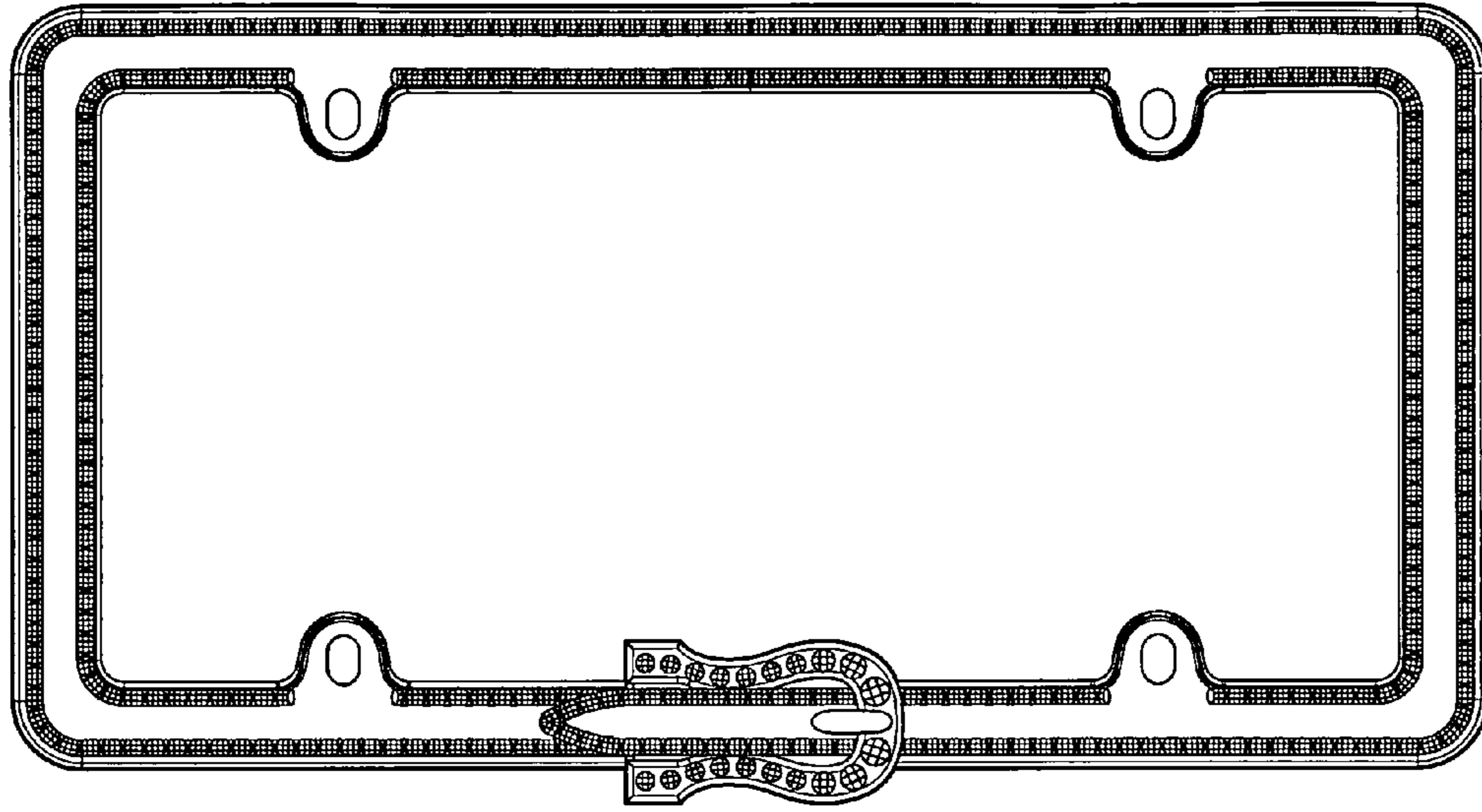


Figure 10

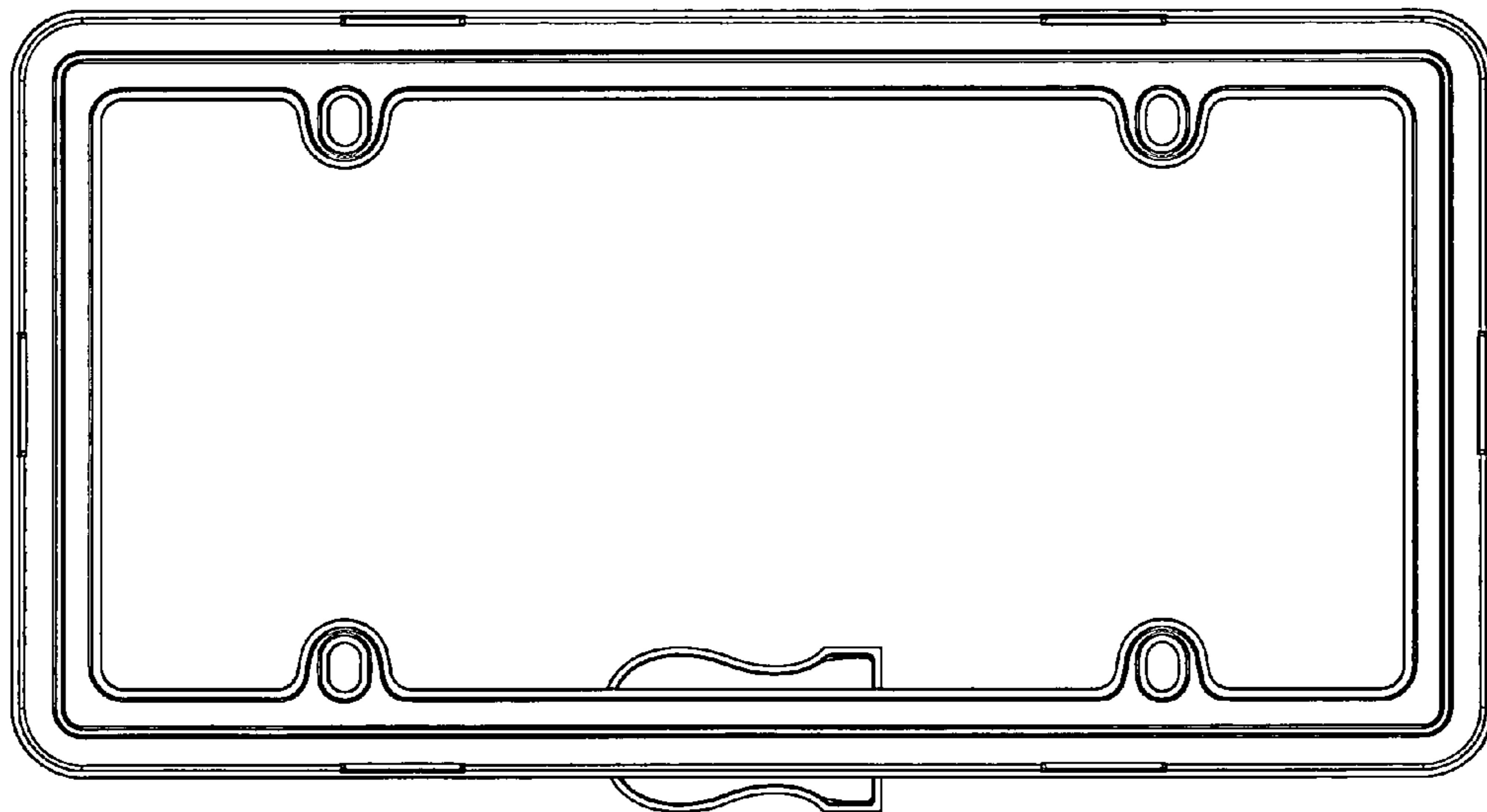


Figure 11

Figure 12

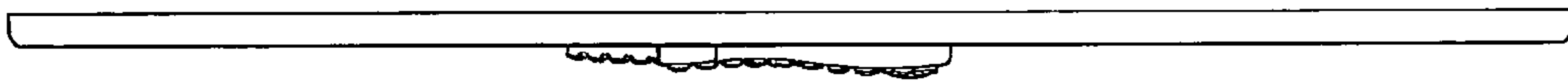


Figure 13

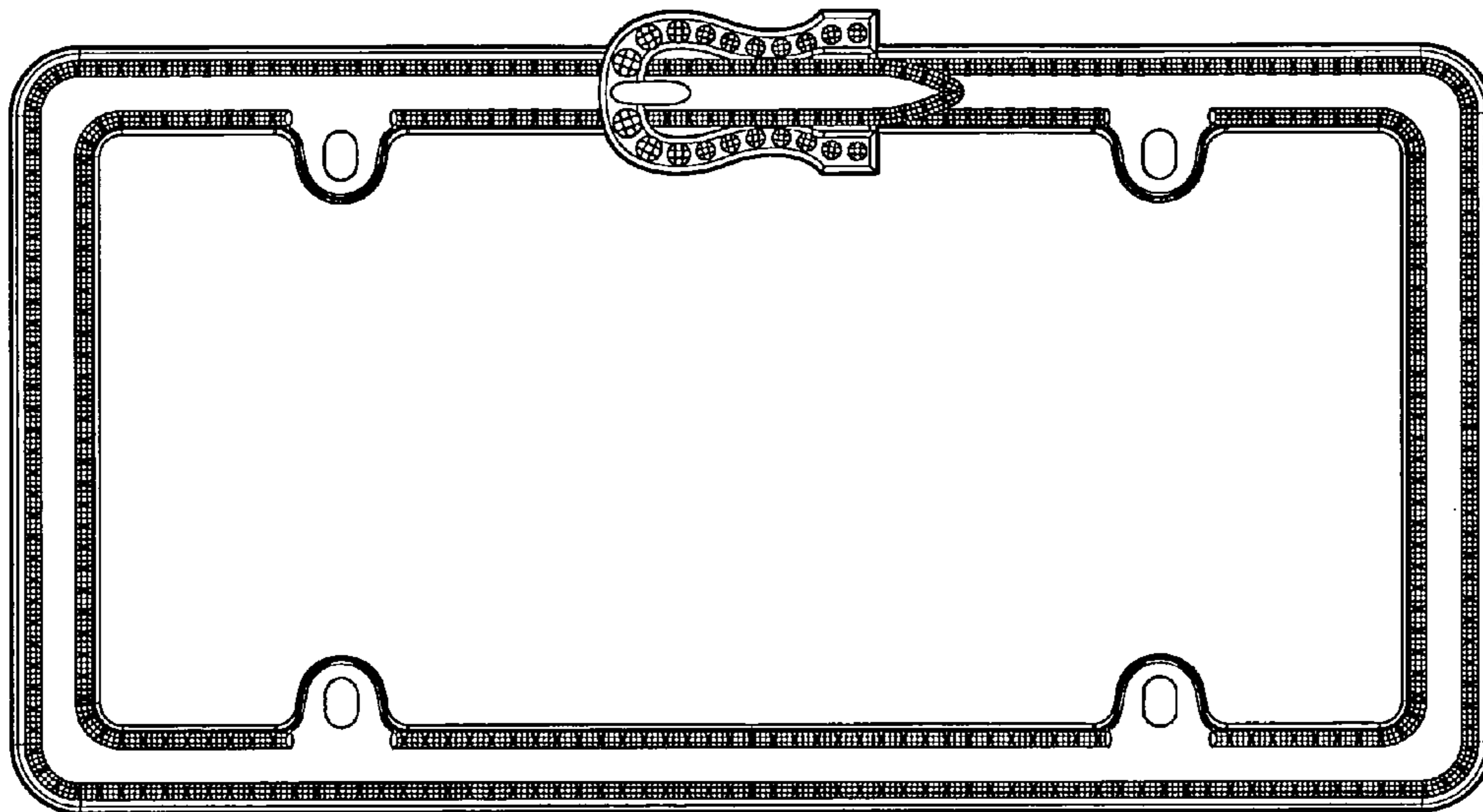


Figure 14