



US00D700551S

(12) **United States Design Patent**
Davenport, III

(10) **Patent No.:** **US D700,551 S**
(45) **Date of Patent:** **** Mar. 4, 2014**

(54) **BRAKE CALIPER**

(71) Applicant: **Nicholas J. Davenport, III**, Castle Rock, CO (US)

(72) Inventor: **Nicholas J. Davenport, III**, Castle Rock, CO (US)

(73) Assignee: **No Limit Innovation, LLC**, Castle Rock, CO (US)

(**) Term: **14 Years**

(21) Appl. No.: **29/437,566**

(22) Filed: **Nov. 19, 2012**

(51) **LOC (10) Cl.** **12-16**

(52) **U.S. Cl.**
USPC **D12/180**

(58) **Field of Classification Search**
USPC D12/180; 188/71.1, 72.2, 72.4, 73.3, 188/73.31-73.39, 73.41-73.49, 218 XL, 188/370, 1.11 W, 264 A, 264 AA
See application file for complete search history.

(56) **References Cited**

U.S. PATENT DOCUMENTS

D373,340	S	*	9/1996	Sands	D12/180
D442,900	S	*	5/2001	Separautzki	D12/180
6,668,983	B2	*	12/2003	Drennen et al.	188/181 T
6,729,445	B1	*	5/2004	Qian et al.	188/264 G
D508,000	S	*	8/2005	Schorn et al.	D12/180
D522,420	S	*	6/2006	Crippa et al.	D12/180
D523,794	S	*	6/2006	Strumbo et al.	D12/180
D556,103	S	*	11/2007	Morimoto	D12/180
D588,513	S	*	3/2009	Crippa et al.	D12/180
D610,059	S	*	2/2010	Azimonti	D12/180
D610,507	S	*	2/2010	Azimonti	D12/180
7,766,132	B2	*	8/2010	Veneziano et al.	188/73.39
2004/0188188	A1	*	9/2004	Barbosa et al.	188/71.1

FOREIGN PATENT DOCUMENTS

JP	2008014486	A	*	1/2008	F16D 65/02
JP	2008106850	A	*	5/2008	F16D 65/092
JP	2012241836	A	*	12/2012	F16D 65/097

OTHER PUBLICATIONS

Willwood Front D154 Caliper. Assembly Instructions. Jul. 25, 2011 [online], [retrieved on Jun. 10, 2013]. Retrieved from the Internet <URL: <http://www.wilwood.com/PDF/DataSheets/ds842.pdf>>.*

* cited by examiner

Primary Examiner — Philip S Hyder

Assistant Examiner — Darlington Ly

(74) *Attorney, Agent, or Firm* — Jerry L. Mahurin; Mahurin IP Law, LLC

(57) **CLAIM**

The ornamental design for a brake caliper, as shown and described.

DESCRIPTION

FIG. 1 is a front isometric view of a brake caliper, according to a first embodiment.

FIG. 2 is a rear isometric view thereof;

FIG. 3 is a front elevation view thereof;

FIG. 4 is a rear elevation view thereof;

FIG. 5 is a top plan view thereof;

FIG. 6 is a bottom plan view thereof;

FIG. 7 is an end elevation view thereof;

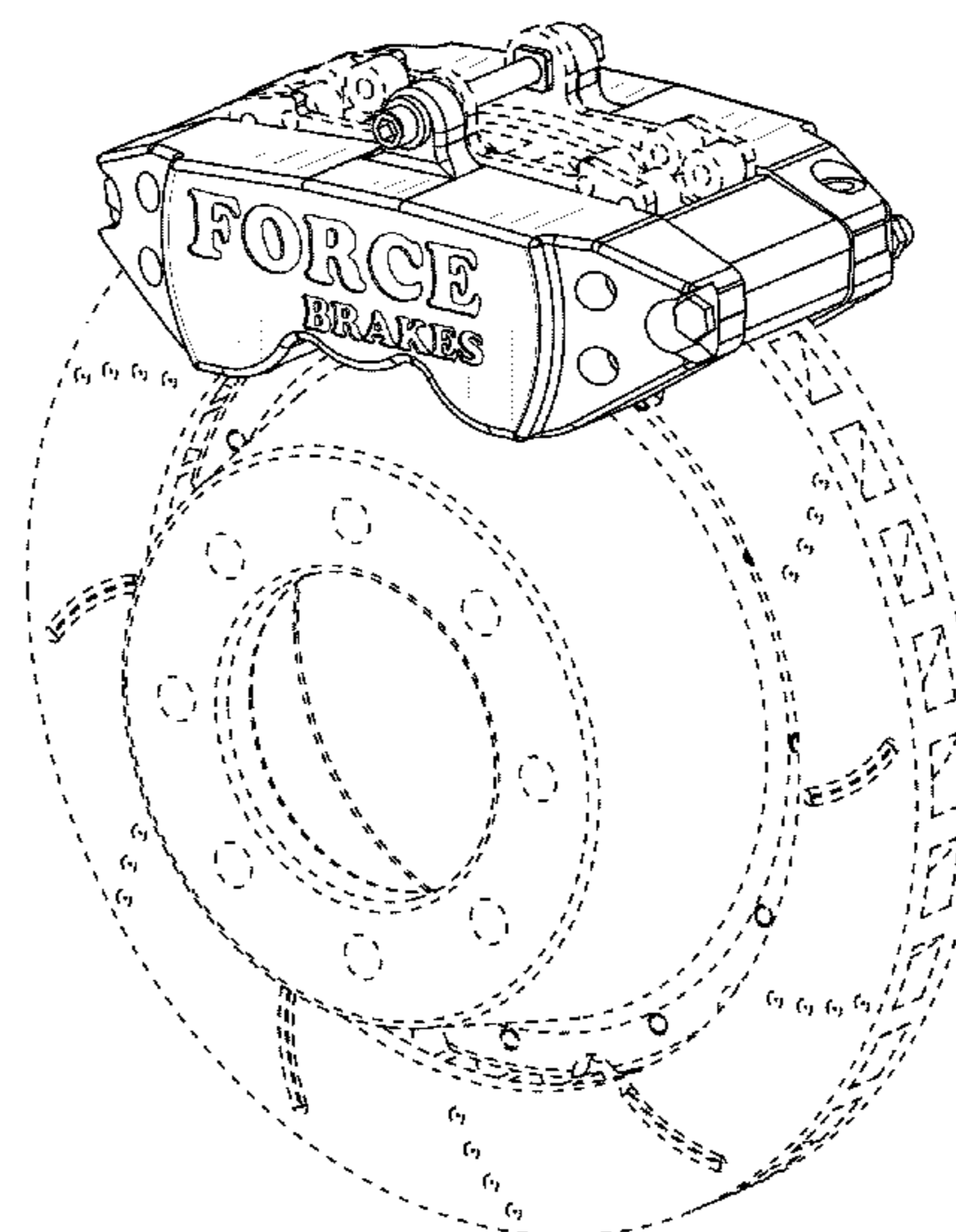
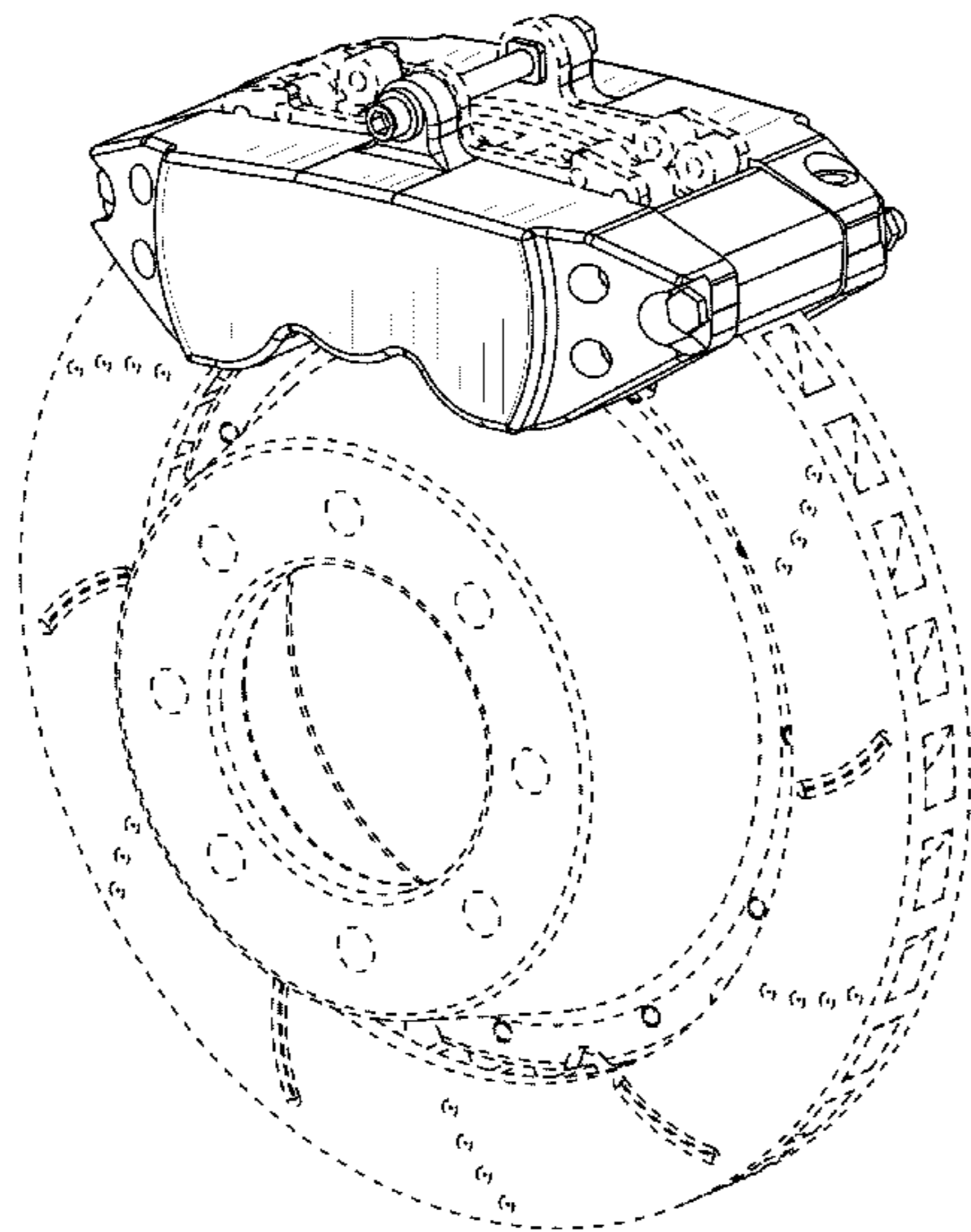
FIG. 8 is an opposing end elevation view thereof;

FIG. 9 is a front isometric view of a brake caliper, according to a second embodiment, the only difference being the indicia on the front face, it being understood that all other views are the same as those of the first embodiment; and,

FIG. 10 is a front elevation view thereof.

The broken lines shown in the drawings illustrate environmental structure of brake pads, a brake rotor and a brake rotor hat, associated with the brake caliper and form no part of the claimed design.

1 Claim, 8 Drawing Sheets



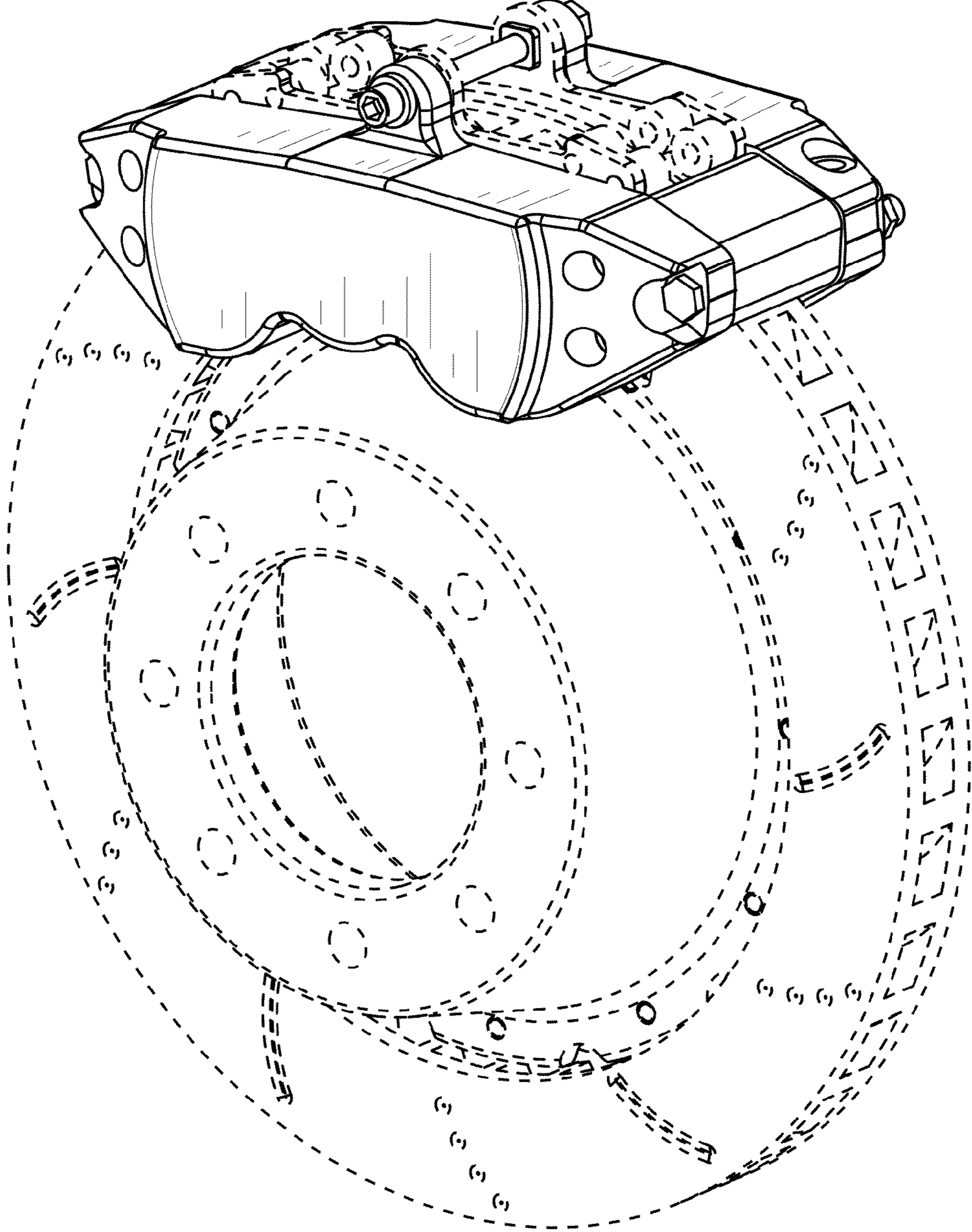


Fig. 1

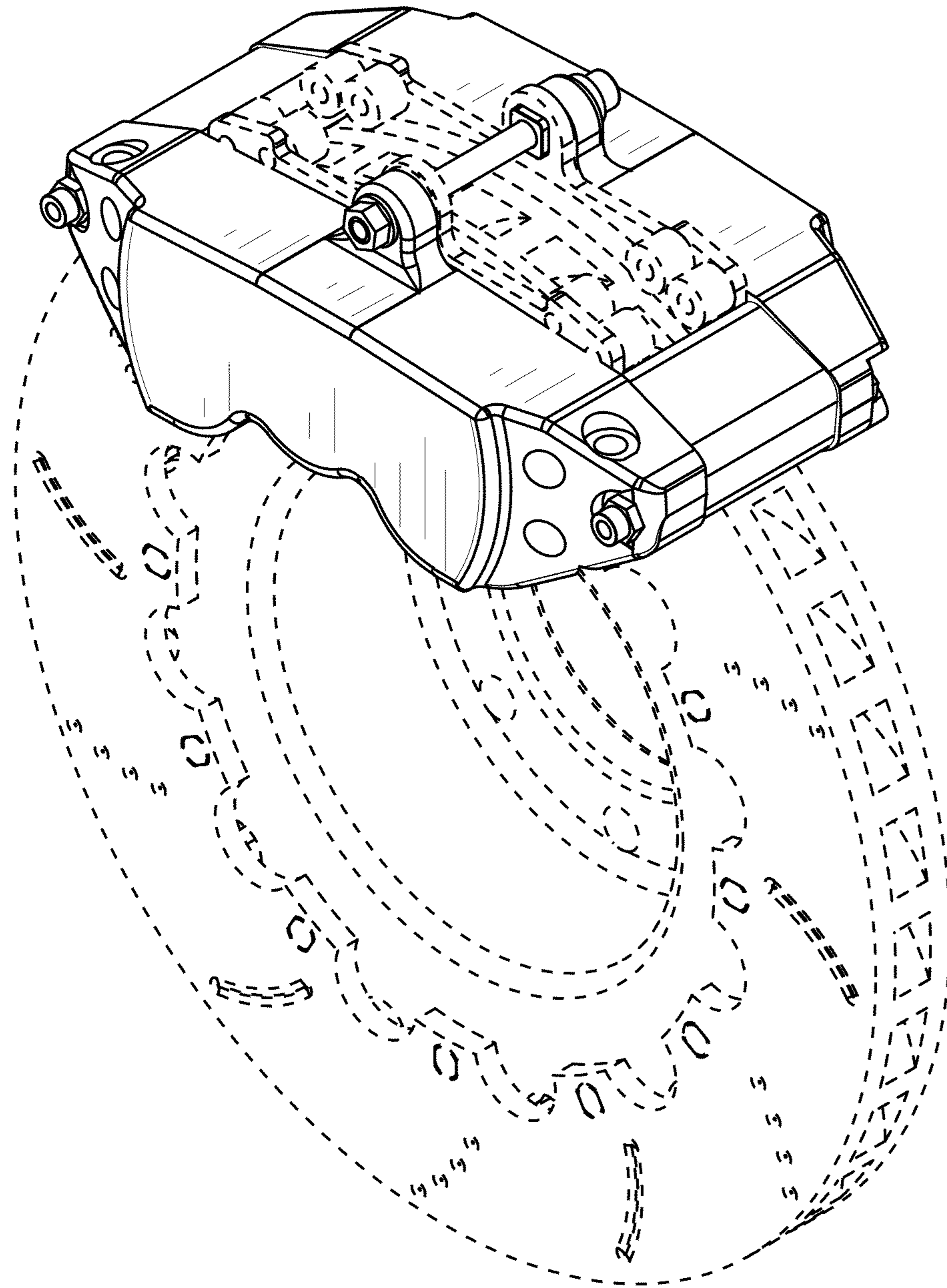


Fig. 2

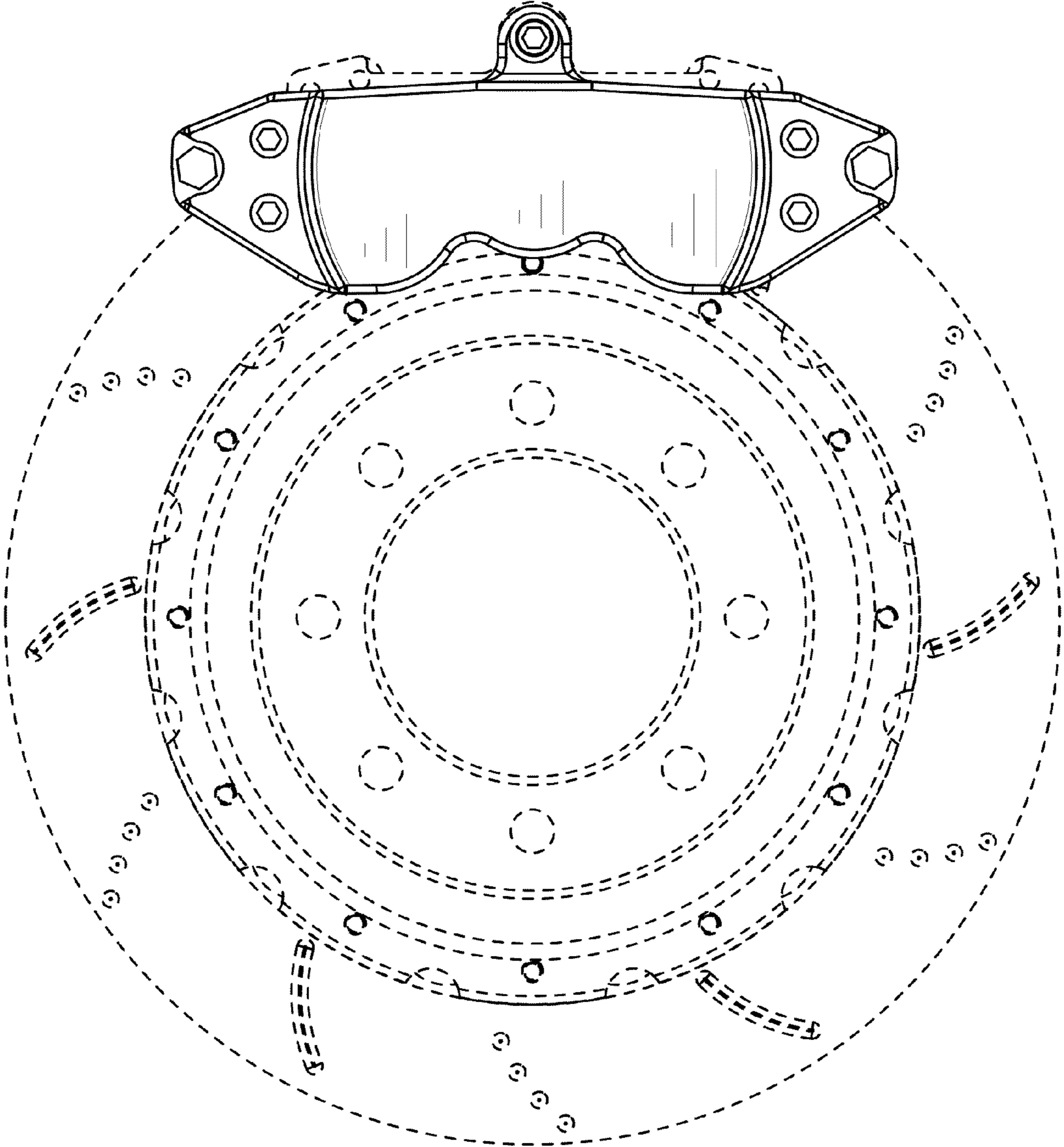


Fig. 3

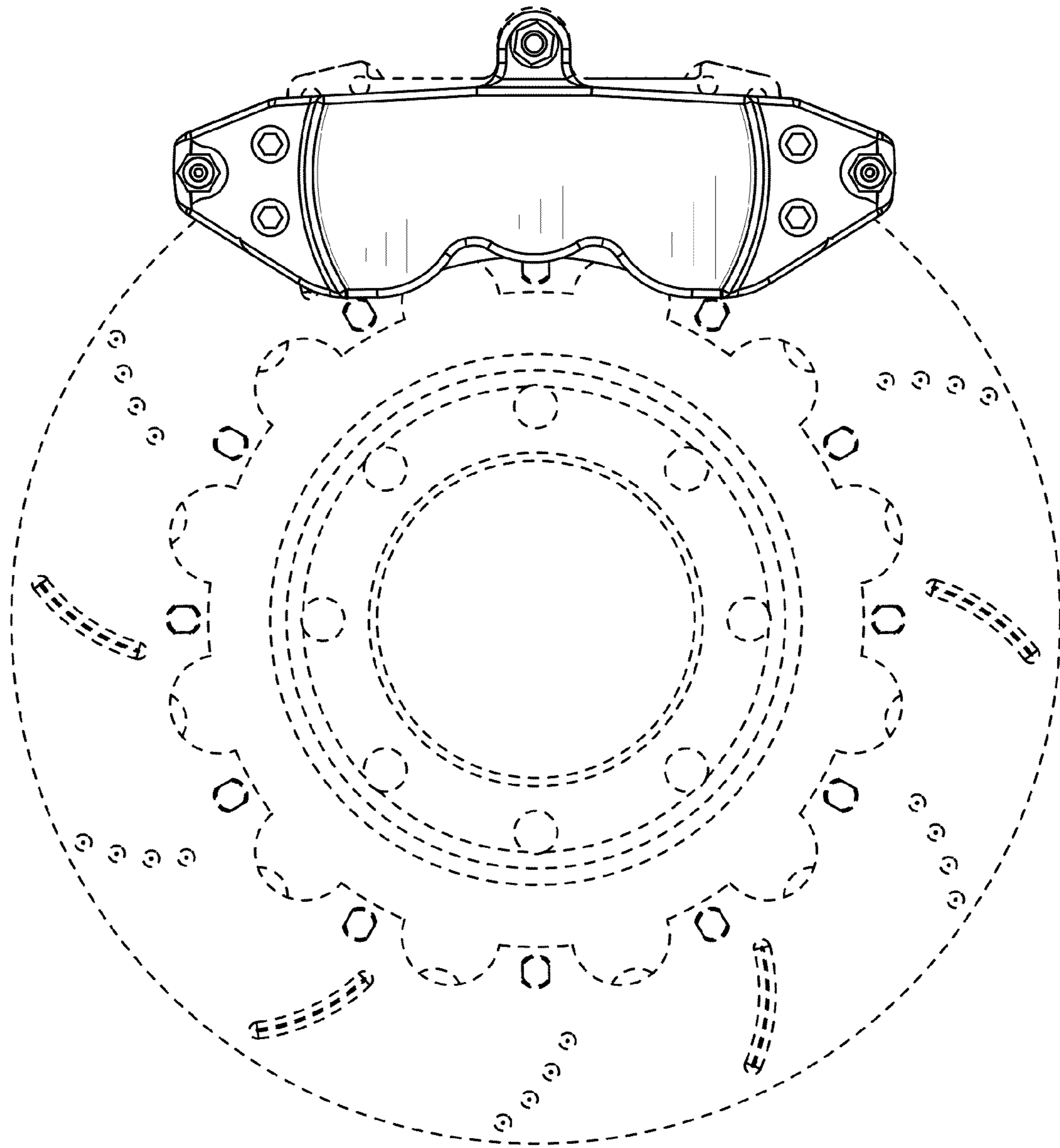


Fig. 4

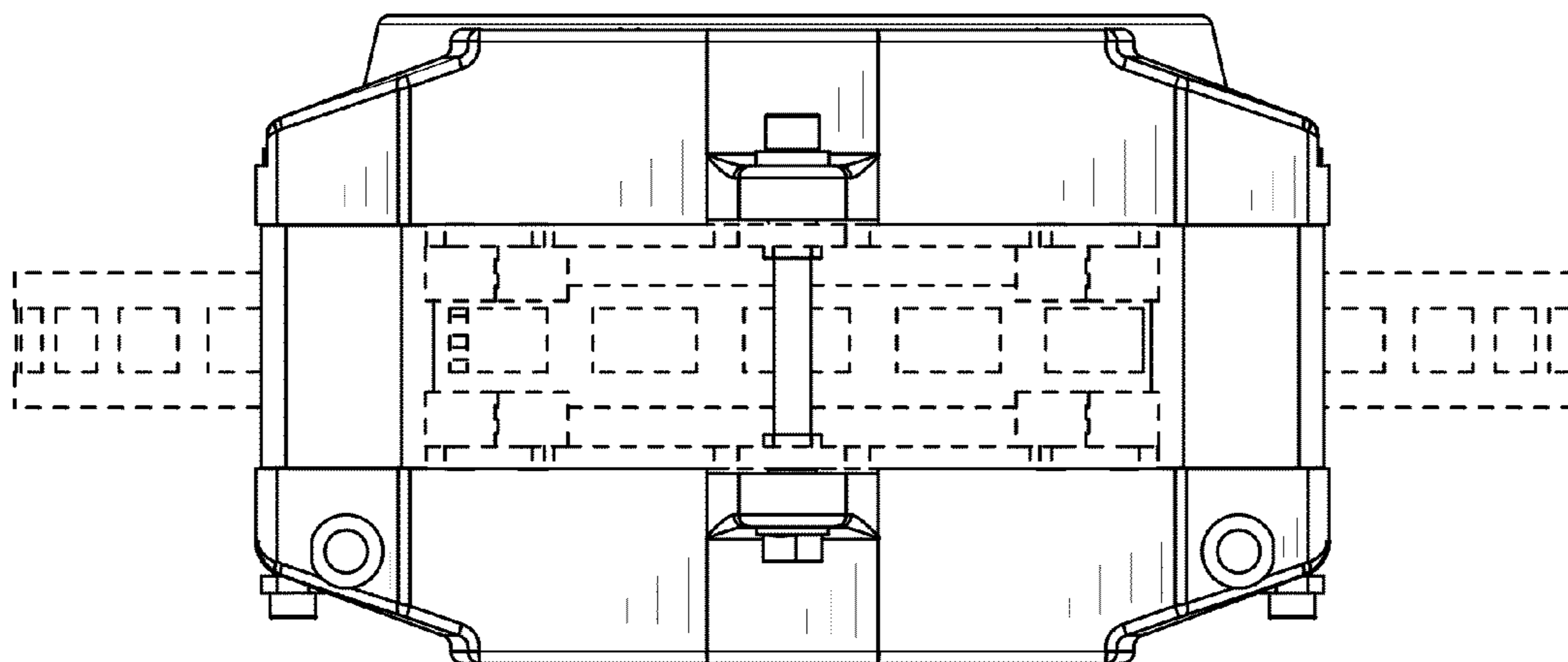


Fig. 5

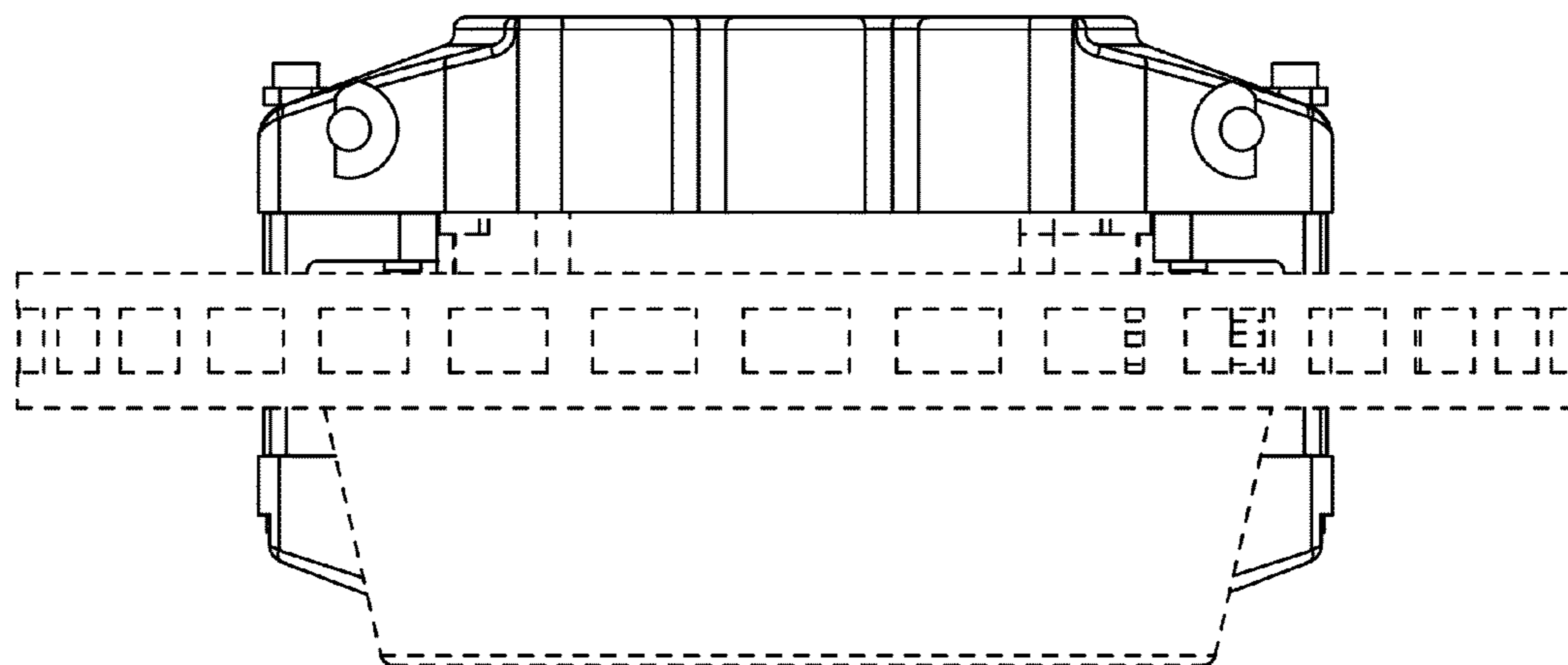


Fig. 6

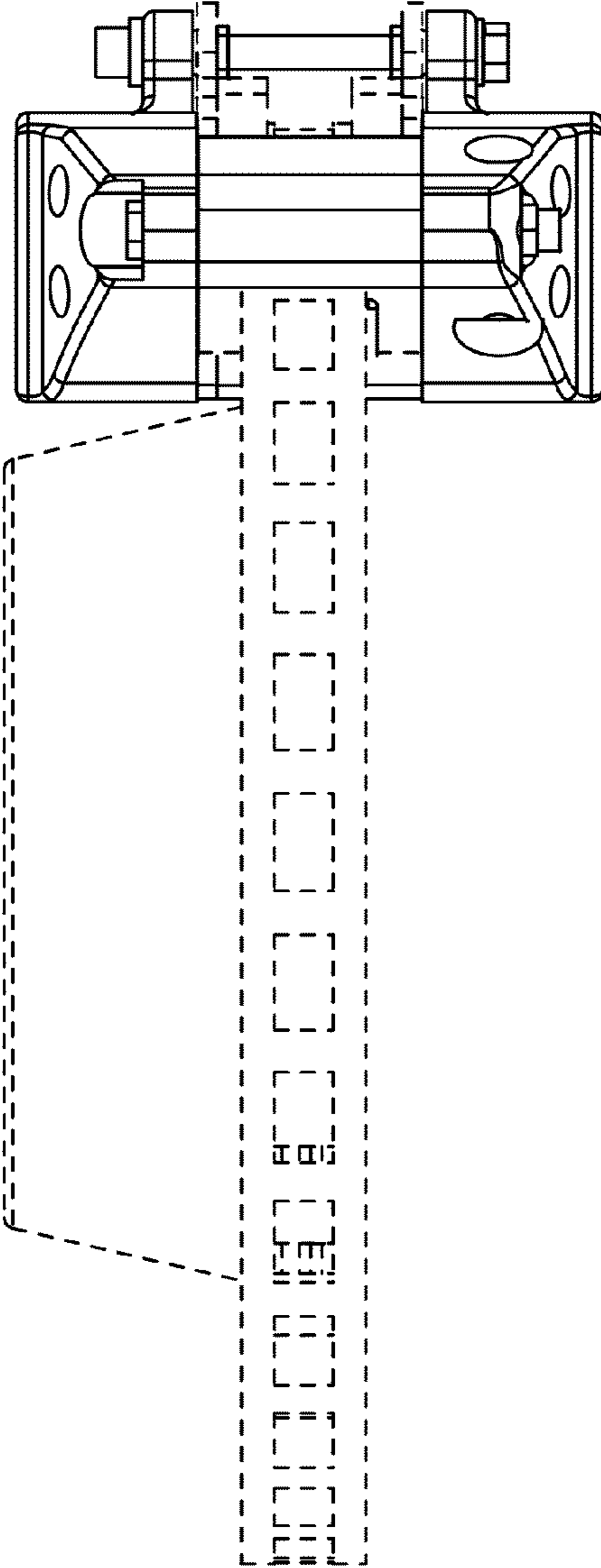


Fig. 7

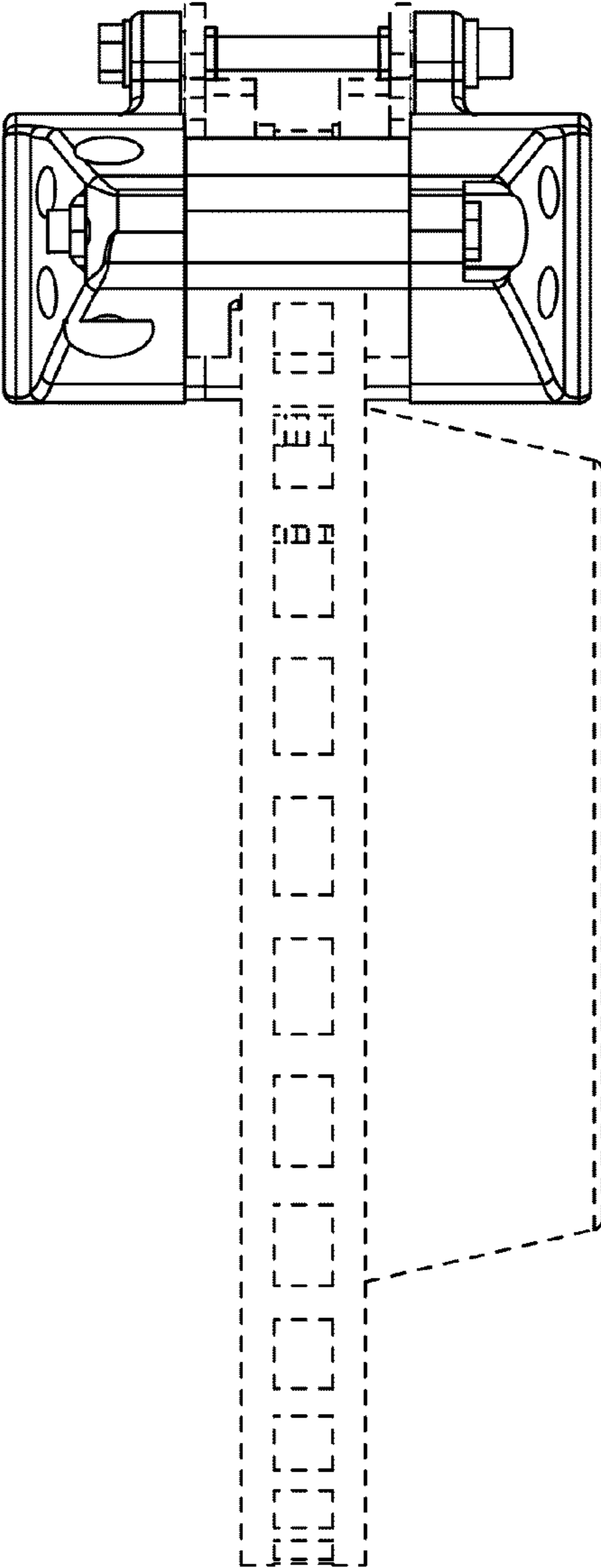


Fig. 8

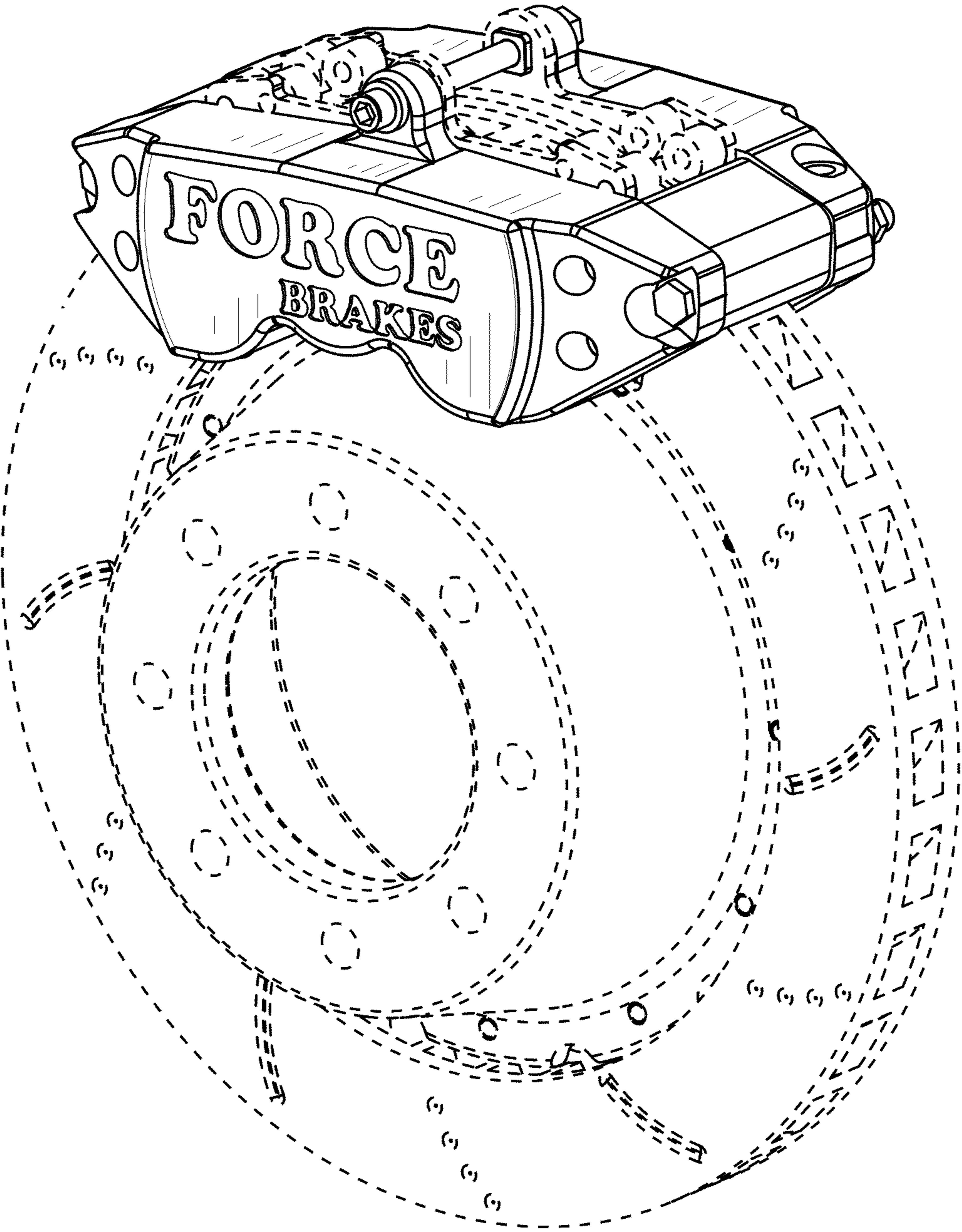


Fig. 9

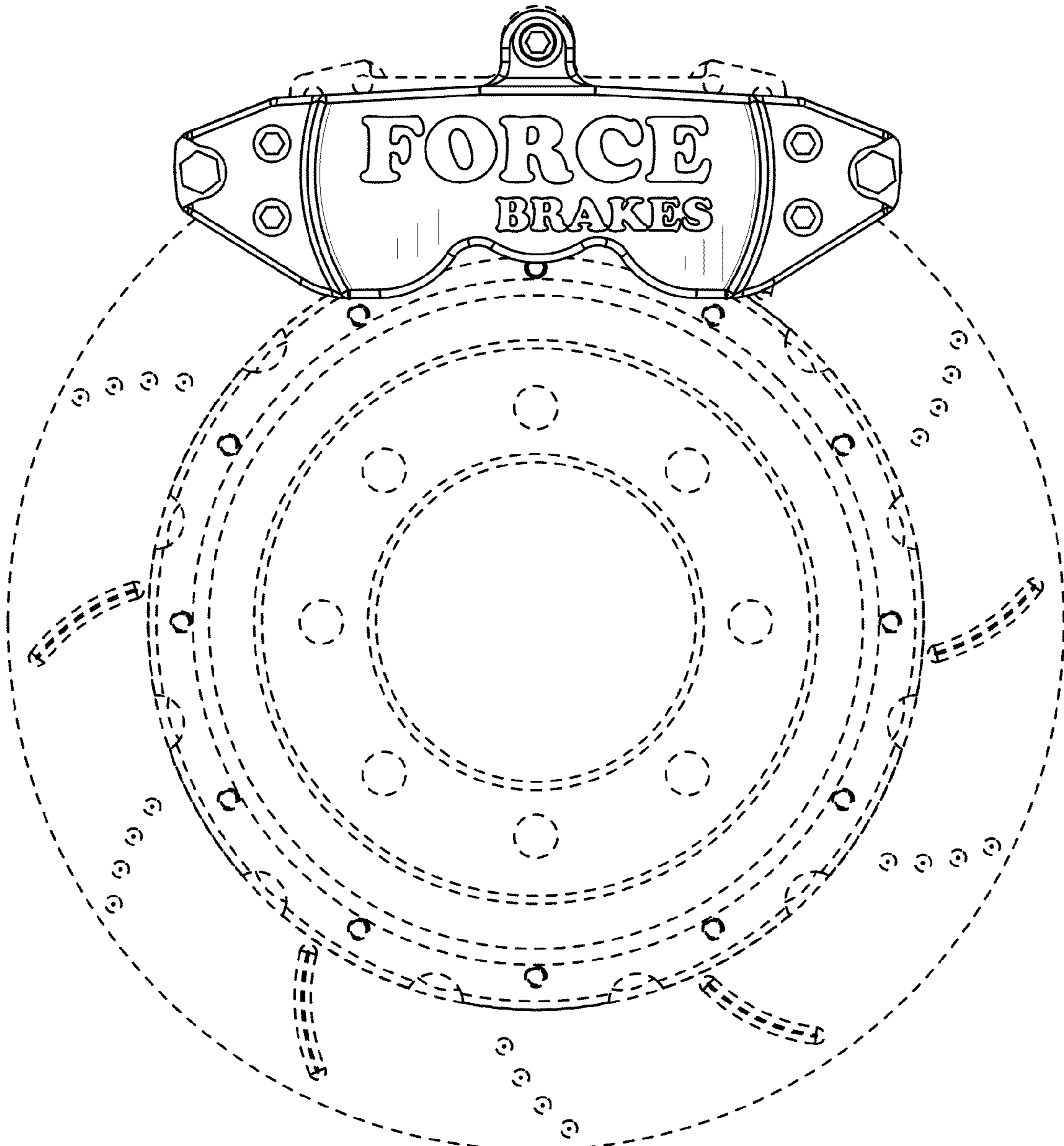


Fig. 10