



US00D700546S

(12) **United States Design Patent**
Okamoto

(10) **Patent No.:** **US D700,546 S**
(45) **Date of Patent:** **** Mar. 4, 2014**

(54) **RADIATOR GRILL FOR AUTOMOBILE**

FOREIGN PATENT DOCUMENTS

(75) Inventor: **Mai Okamoto**, Kanagawa (JP)
(73) Assignee: **Nissan Motor Co., Ltd.**, Yokohama (JP)
(**) Term: **14 Years**
(21) Appl. No.: **29/411,318**

EM 000248547-0015 1/2005
Primary Examiner — Phillip S Hyder
(74) *Attorney, Agent, or Firm* — Global IP Counselors, LLP

(22) Filed: **Jan. 19, 2012**
(51) **LOC (10) Cl.** **12-16**
(52) **U.S. Cl.**
USPC **D12/163**
(58) **Field of Classification Search**
USPC D12/82, 86, 90, 91, 92, 170, 171, 216;
D23/393; 180/68.1, 68.6; 296/180.1,
296/180.2, 193.1, 193.11; 293/102, 113,
293/115, 117
See application file for complete search history.

(57) **CLAIM**
The ornamental design for a radiator grill for an automobile,
as shown and described.

DESCRIPTION

FIG. 1 is a front elevational view of a radiator grill for an automobile in accordance with my new design;
FIG. 2 is a rear elevational view of the radiator grill in accordance with my new design of FIG. 1;
FIG. 3 is a top plan view of the radiator grill in accordance with my new design of FIGS. 1 and 2;
FIG. 4 is a bottom plan view of the radiator grill in accordance with my new design of FIGS. 1 to 3;
FIG. 5 is a right side elevational view of the radiator grill in accordance with my new design of FIGS. 1 to 4;
FIG. 6 is a left side elevational view of the radiator grill in accordance with my new design of FIGS. 1 to 5;
FIG. 7 is a front side perspective view of the radiator grill in accordance with my new design of FIGS. 1 to 6;
FIG. 8 is a cross sectional view of the radiator grill in accordance with my new design as seen along a section line 8-8 of FIG. 1; and,
FIG. 9 is a cross sectional view of the radiator grill in accordance with my new design as seen along a section line 9-9 of FIG. 1.
The broken lines illustrate portions of the radiator grill for automobile that form no part of the claimed design.
The cross sectional views of FIGS. 8 and 9 are provided to clarify the exact contour or configuration of the exterior surface of the radiator grill, and no attempt is made to illustrate features of internal construction.

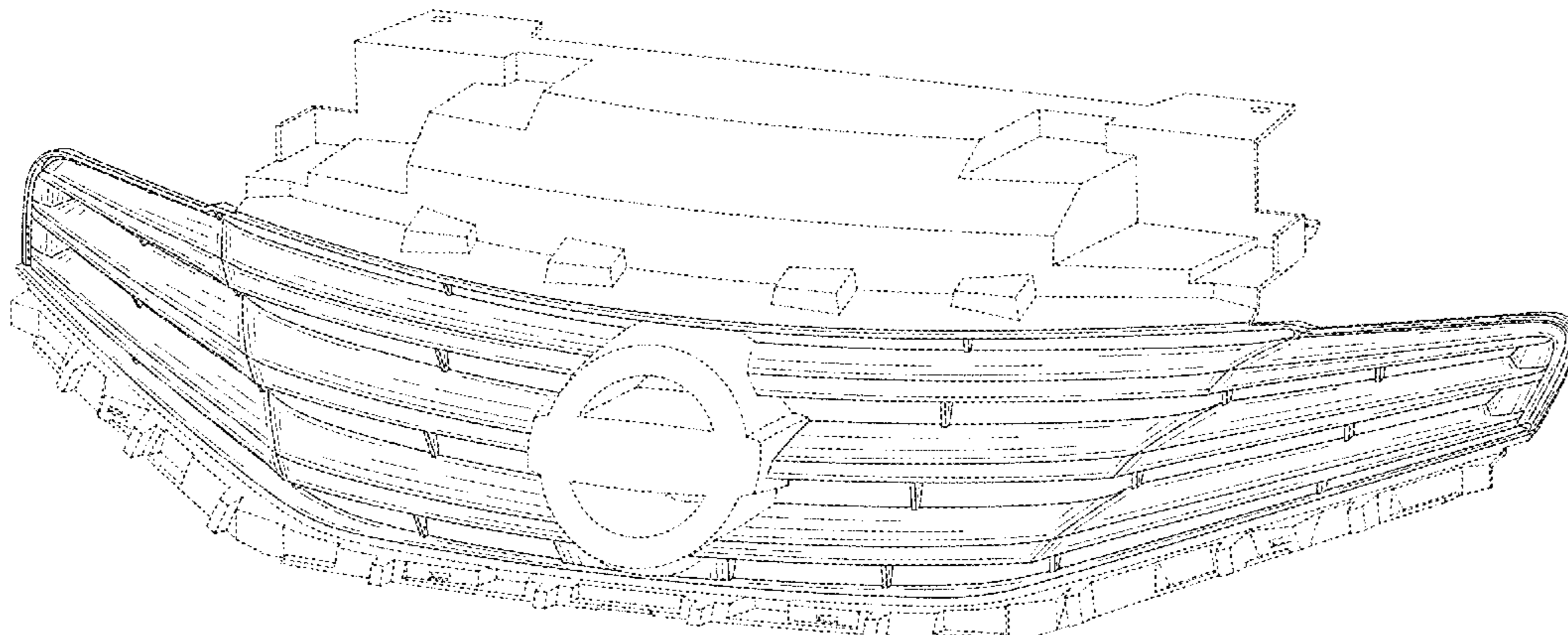
(56) **References Cited**

U.S. PATENT DOCUMENTS

D430,521 S *	9/2000	Kitamura et al.	D12/163
D430,836 S *	9/2000	Kitamura et al.	D12/163
D430,837 S *	9/2000	Kitamura et al.	D12/163
D431,505 S *	10/2000	Kitamura et al.	D12/163
D504,364 S *	4/2005	Nagura et al.	D12/163
D507,770 S *	7/2005	Minami	D12/163
D507,997 S *	8/2005	Pfeiffer et al.	D12/163
D518,422 S *	4/2006	Nakamura	D12/163
D537,760 S *	3/2007	Pfeiffer	D12/163
D541,707 S *	5/2007	Komuro	D12/163
D557,184 S *	12/2007	Janik	D12/163
D558,104 S *	12/2007	Hieke	D12/163
D565,478 S *	4/2008	Abe	D12/163
D565,480 S *	4/2008	McMahan	D12/163
D576,086 S *	9/2008	Ishizuka	D12/163

(Continued)

1 Claim, 9 Drawing Sheets



(56)

References Cited

U.S. PATENT DOCUMENTS

D592,550 S * 5/2009 Lawlis D12/91
7,677,650 B2 * 3/2010 Huttenlocher 296/193.1
D614,542 S * 4/2010 Kasai et al. D12/163
D615,463 S * 5/2010 Frei et al. D12/163

D625,670 S * 10/2010 Roller et al. D12/163
D635,896 S * 4/2011 Frei et al. D12/163
D637,531 S * 5/2011 Miyazawa D12/163
D645,795 S * 9/2011 Ishibashi D12/163
D657,292 S * 4/2012 Fetherston et al. D12/163

* cited by examiner

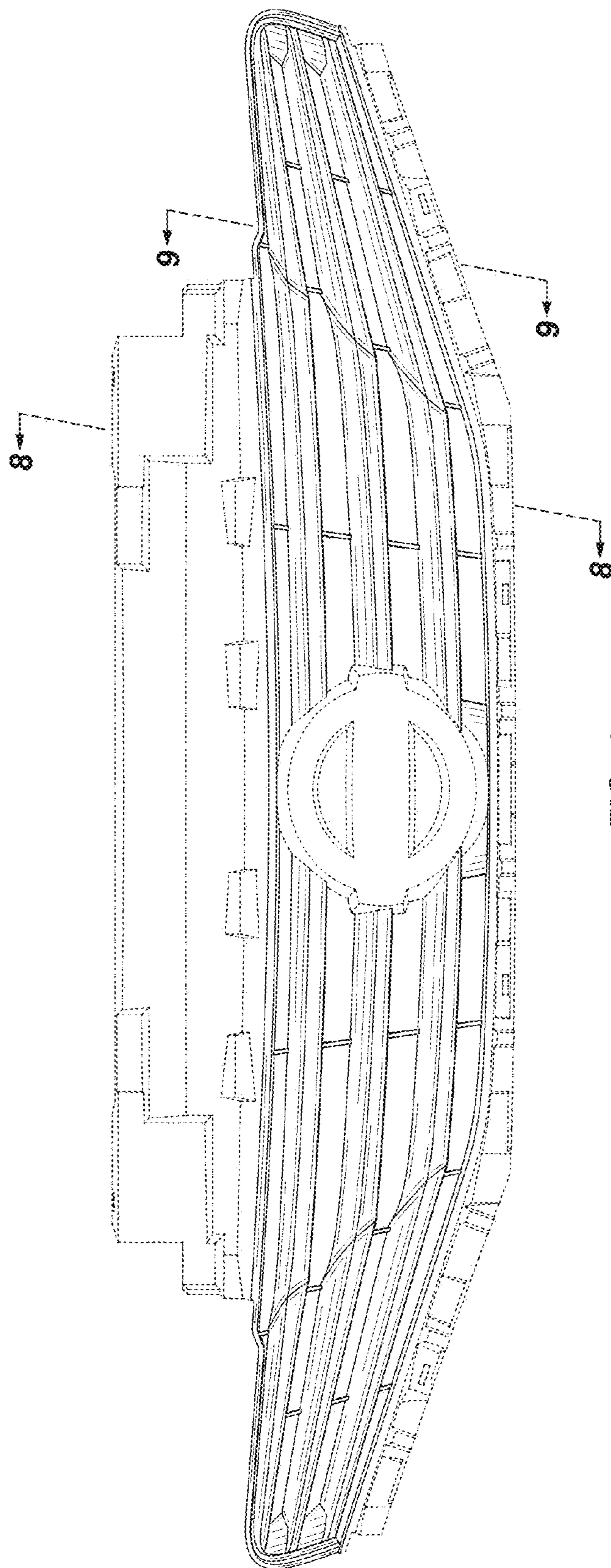


FIG. 1

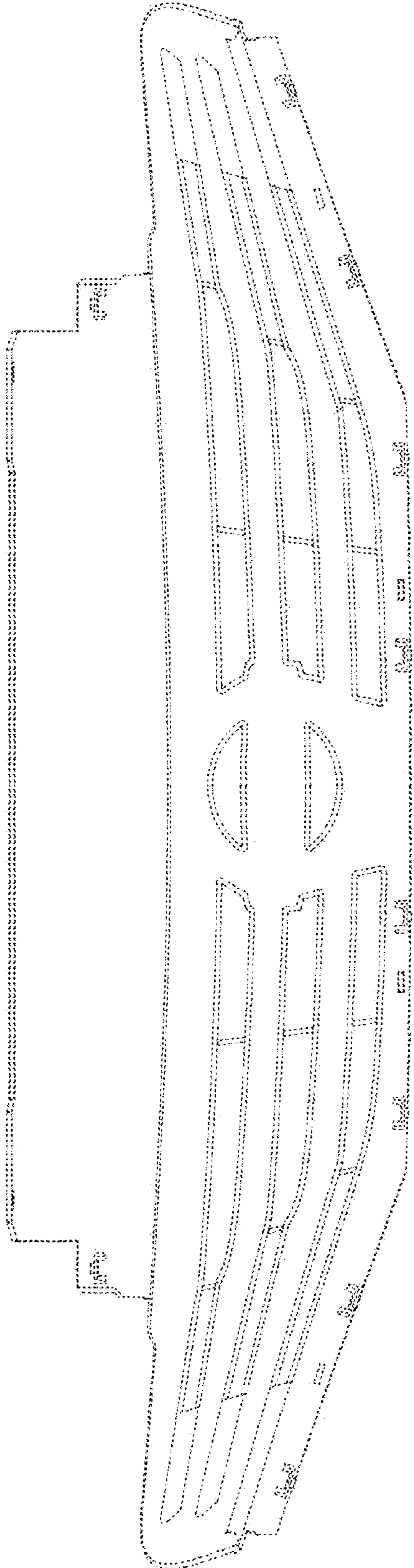


FIG. 2

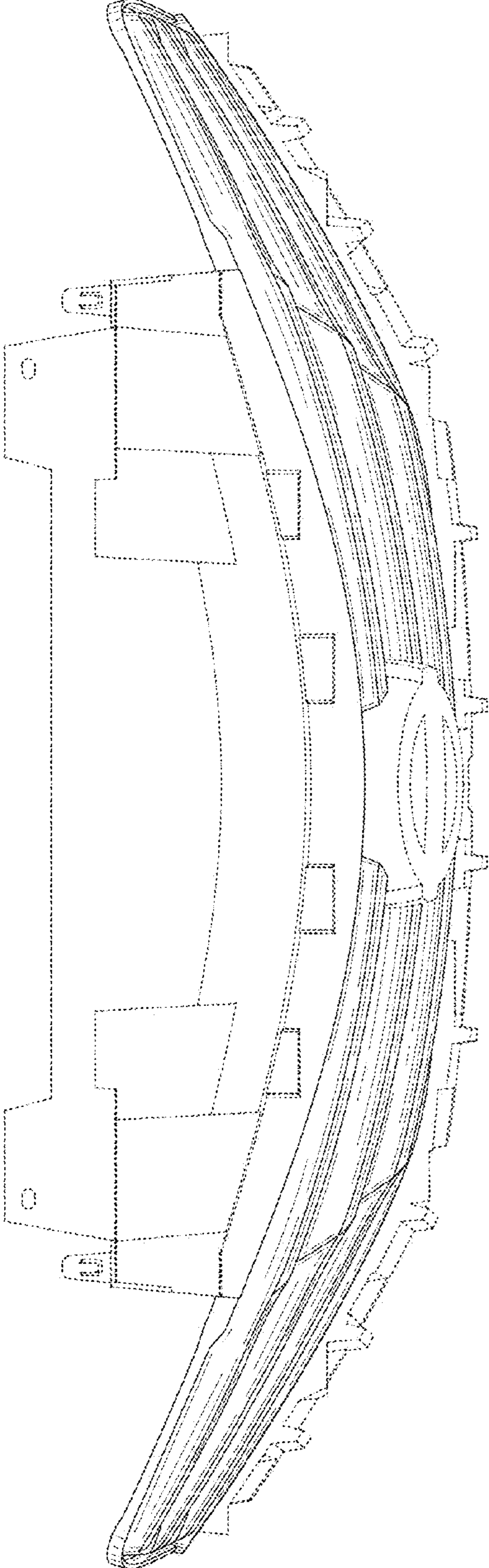


FIG. 3

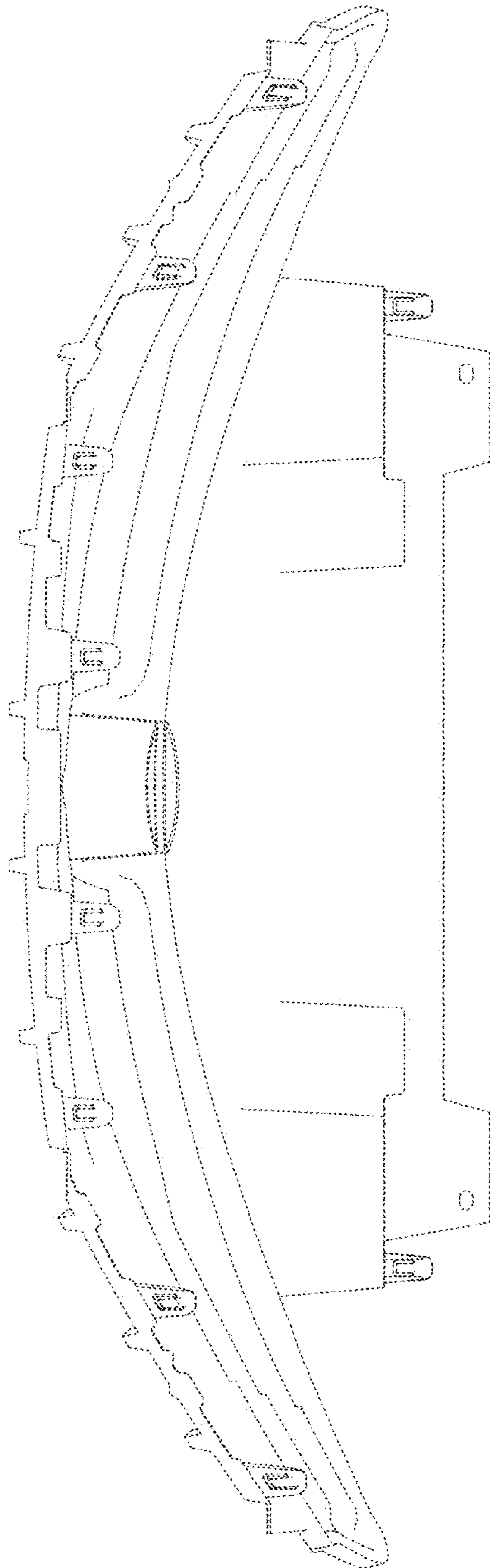


FIG. 4

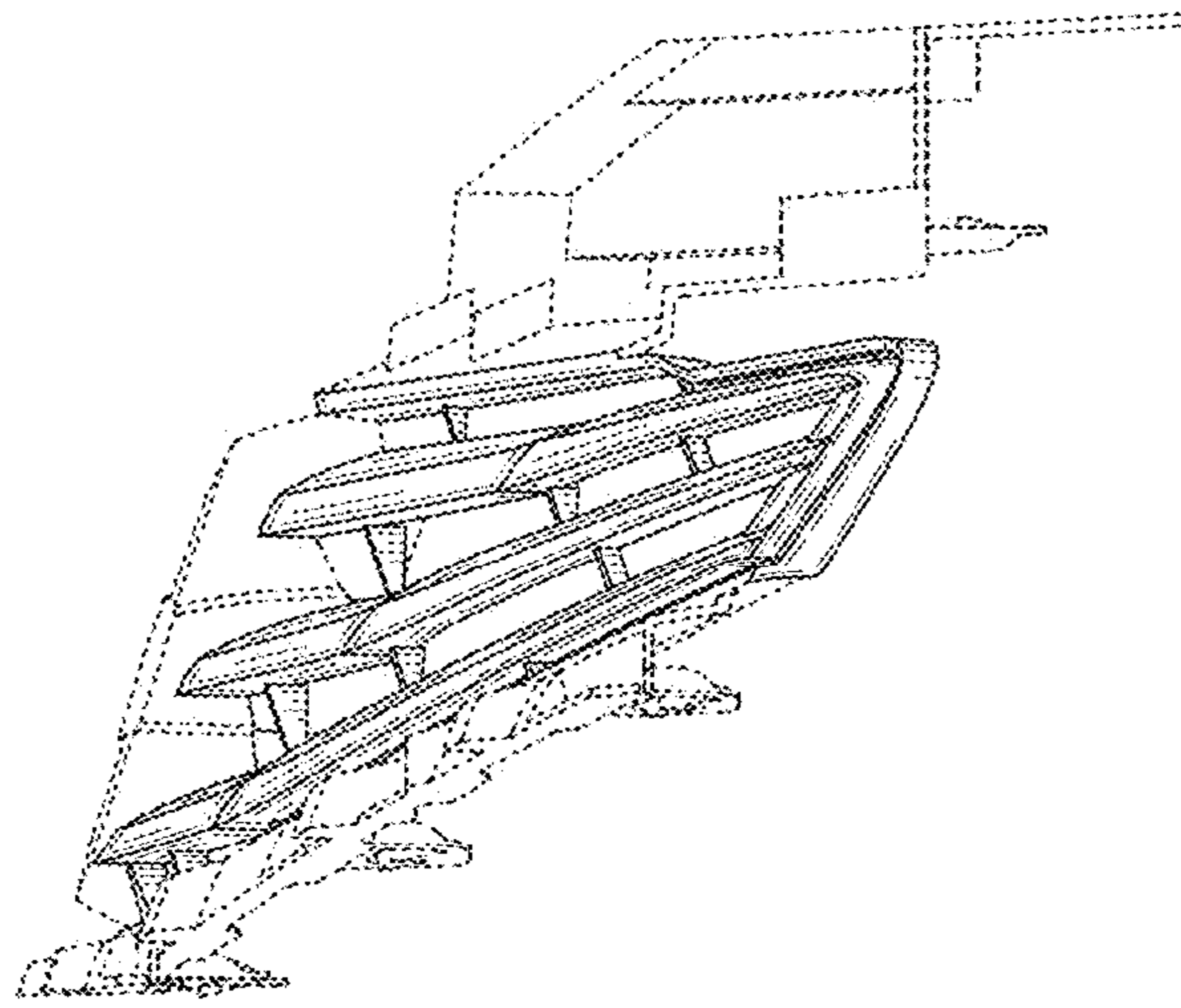


FIG. 5

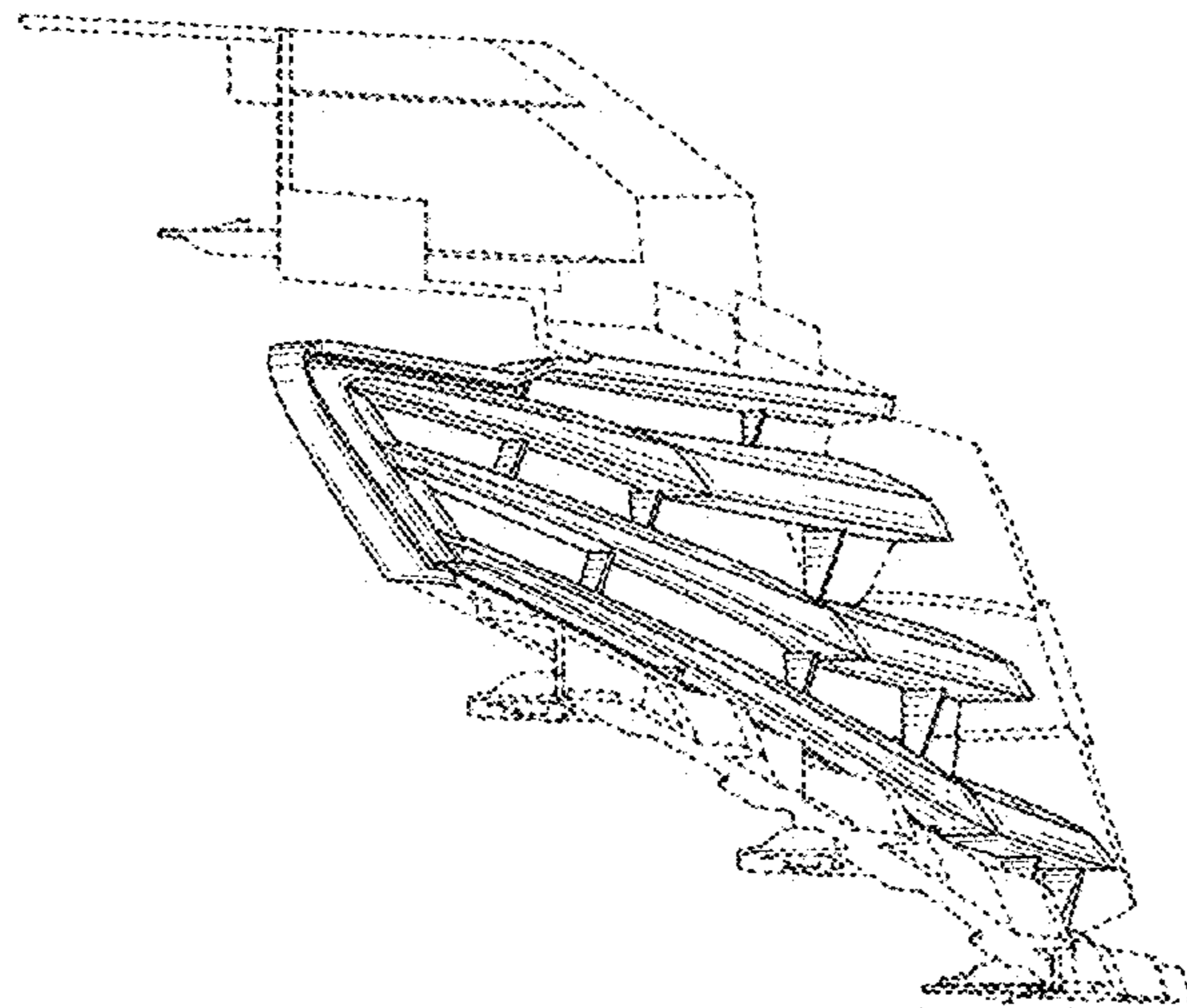


FIG. 6

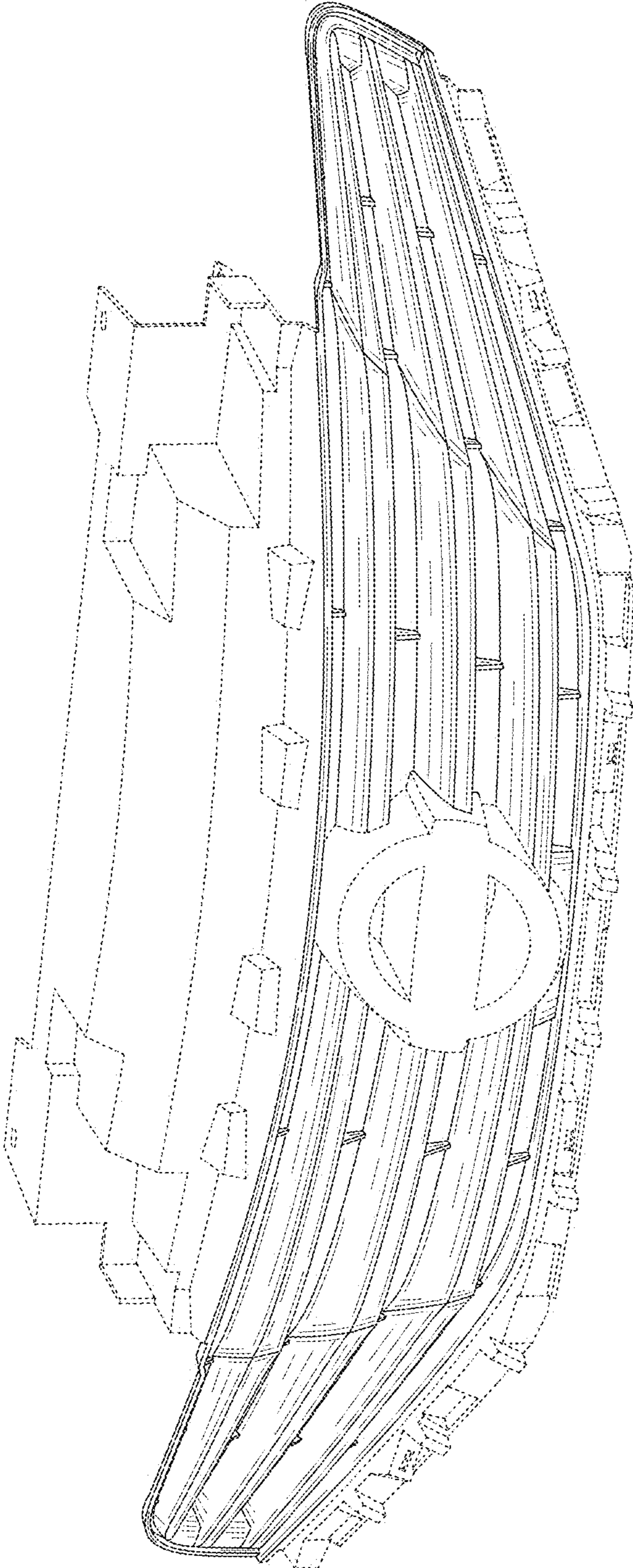


FIG. 7

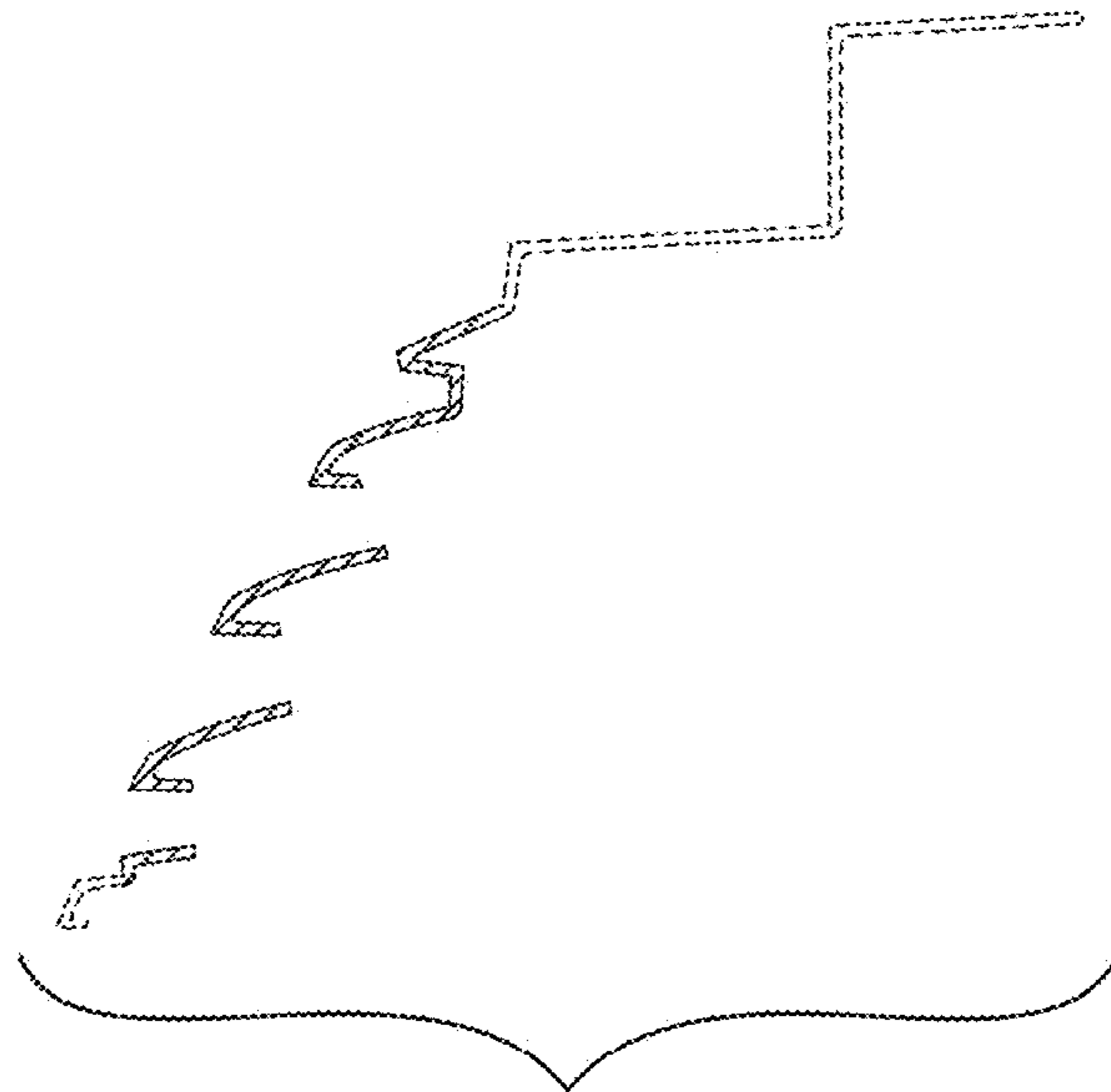


FIG. 8

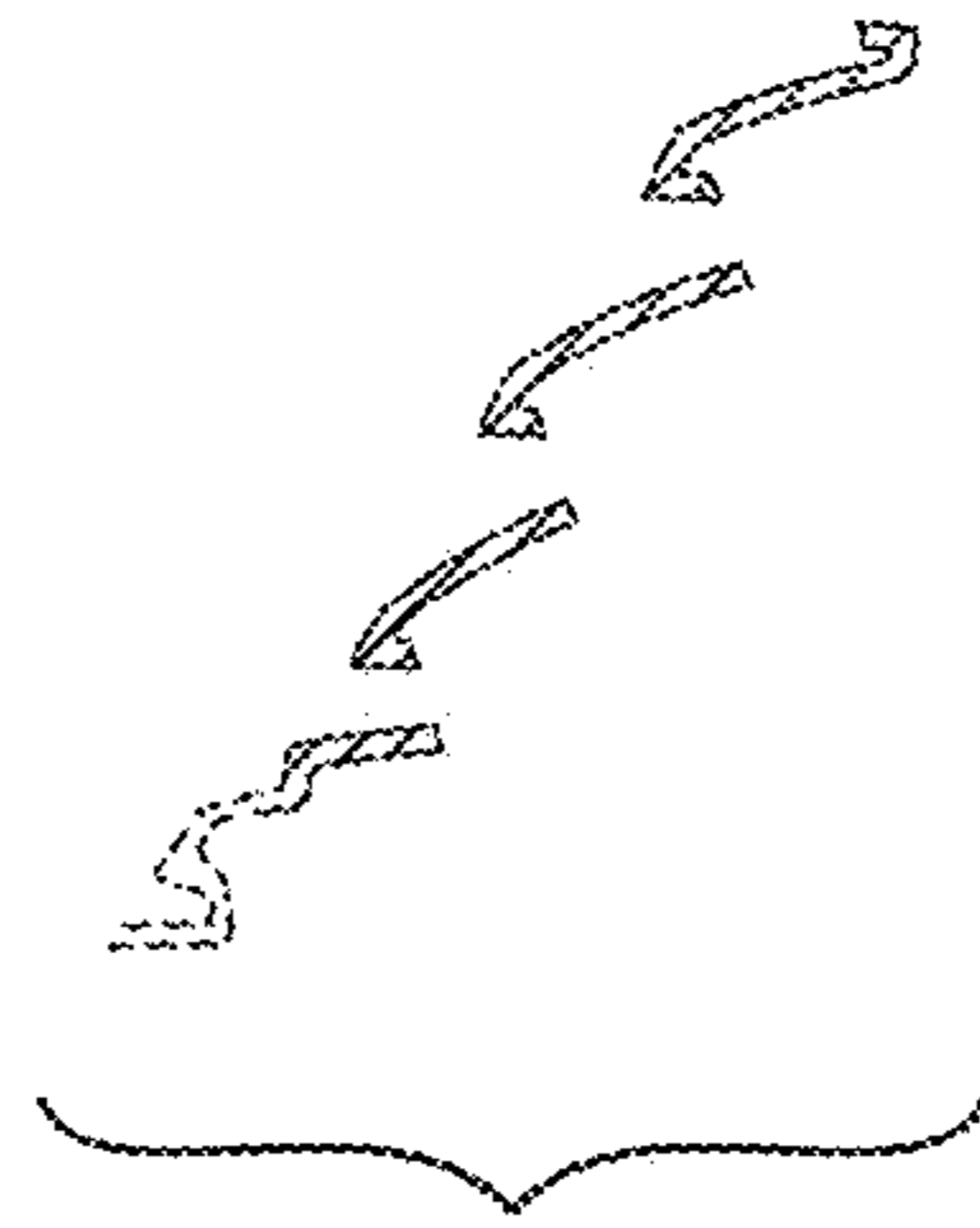


FIG. 9