



US00D700545S

(12) **United States Design Patent**
Borkert

(10) **Patent No.:** **US D700,545 S**
(45) **Date of Patent:** **** Mar. 4, 2014**

(54) **MOTOR VEHICLE, TOY AND/OR REPLICA**

(71) Applicant: **Dr. Ing. h.c. F. Porsche**
Aktiengesellschaft, Stuttgart (DE)

(72) Inventor: **Mitja Borkert, Stuttgart (DE)**

(73) Assignee: **Dr. Ing. h.c. F. Porsche**
Aktiengesellschaft, Stuttgart (DE)

(**) Term: **14 Years**

(21) Appl. No.: **29/444,853**

(22) Filed: **Feb. 5, 2013**

(30) **Foreign Application Priority Data**

Aug. 8, 2012 (DE) 402012100614

(51) **LOC (10) Cl.** **12-08**

(52) **U.S. Cl.**
USPC **D12/92**

(58) **Field of Classification Search**
USPC D12/86, 90-92, 88; D21/424, 433, 434;
296/181.1, 181.5
See application file for complete search history.

(56) **References Cited**

U.S. PATENT DOCUMENTS

D506,161 S * 6/2005 Stephenson D12/92
D617,683 S * 6/2010 Beneggi D12/92

D628,124 S * 11/2010 Stephenson D12/92
D651,134 S * 12/2011 Kulla et al. D12/92
D659,593 S * 5/2012 Robinson D12/92
D661,226 S * 6/2012 Varga D12/92
D661,227 S * 6/2012 Varga D12/92
D669,001 S * 10/2012 Varga D12/92
D673,484 S * 1/2013 Robinson D12/92
D690,232 S * 9/2013 Scheinhutte et al. D12/92
D690,620 S * 10/2013 Scheinhutte et al. D12/92

* cited by examiner

Primary Examiner — Melody Brown

(74) *Attorney, Agent, or Firm* — RatnerPrestia

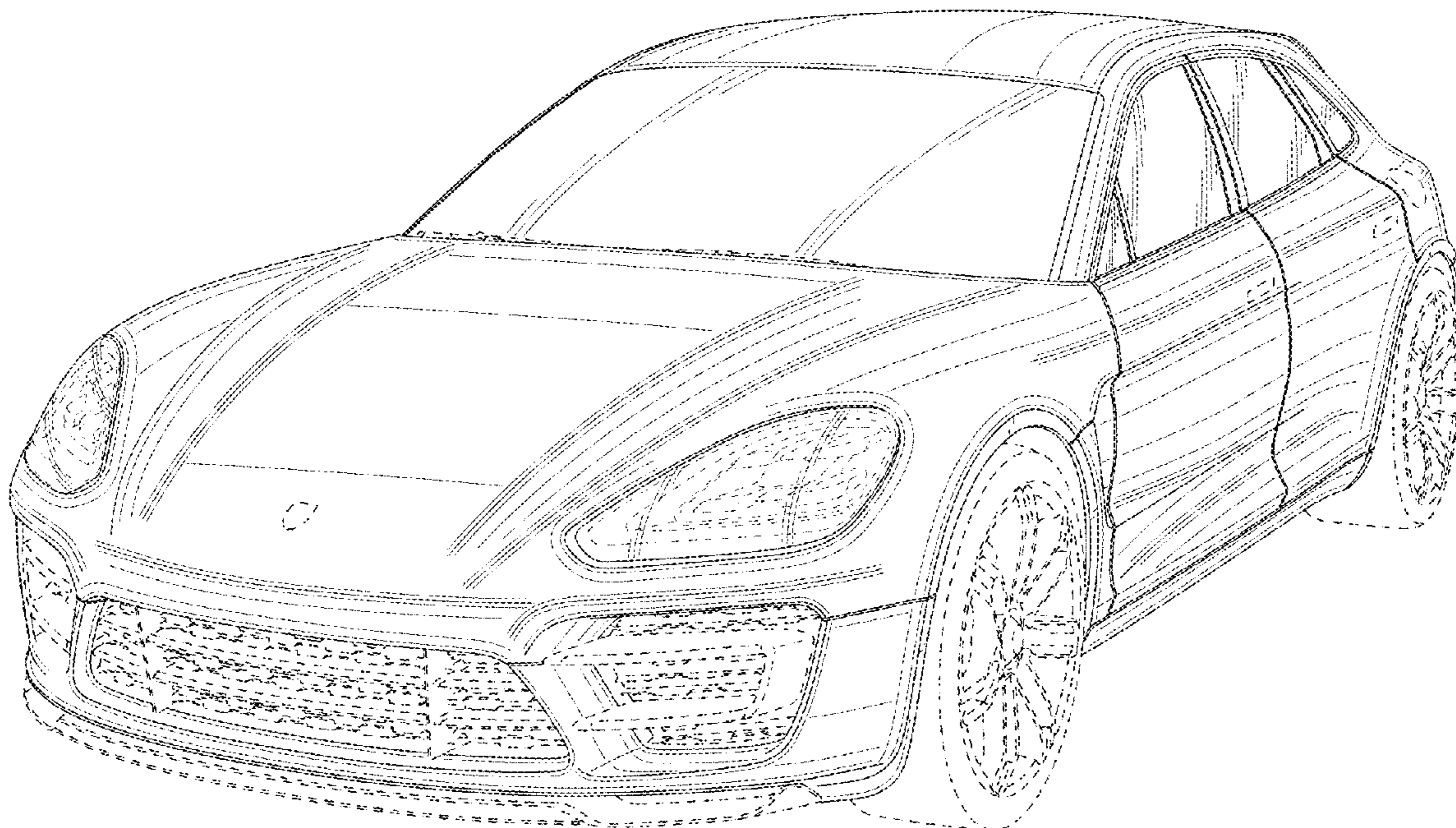
(57) **CLAIM**

The ornamental design for a motor vehicle, toy and/or replica, as shown and described.

DESCRIPTION

FIG. 1 is a front perspective view of a motor vehicle, toy and/or replica;
FIG. 2 is a rear perspective view thereof;
FIG. 3 is front elevation view thereof;
FIG. 4 is a rear elevation view thereof;
FIG. 5 is a right side elevation view thereof, the left side being substantially a mirror image; and,
FIG. 6 is a top plan view thereof.
The broken line showing of the motor vehicle, toy and/or replica forms no part of the claimed design.

1 Claim, 6 Drawing Sheets



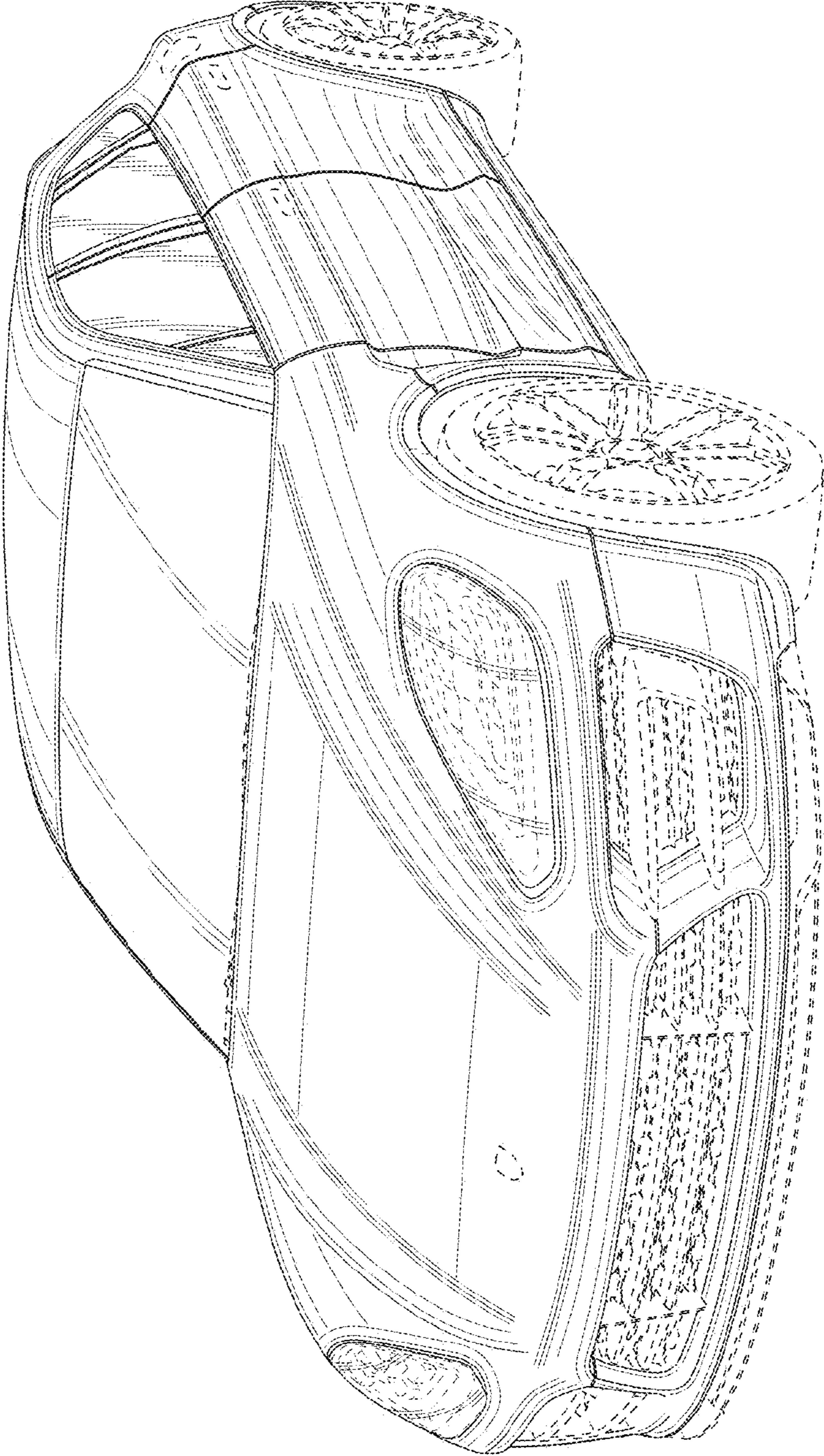


FIG. 1

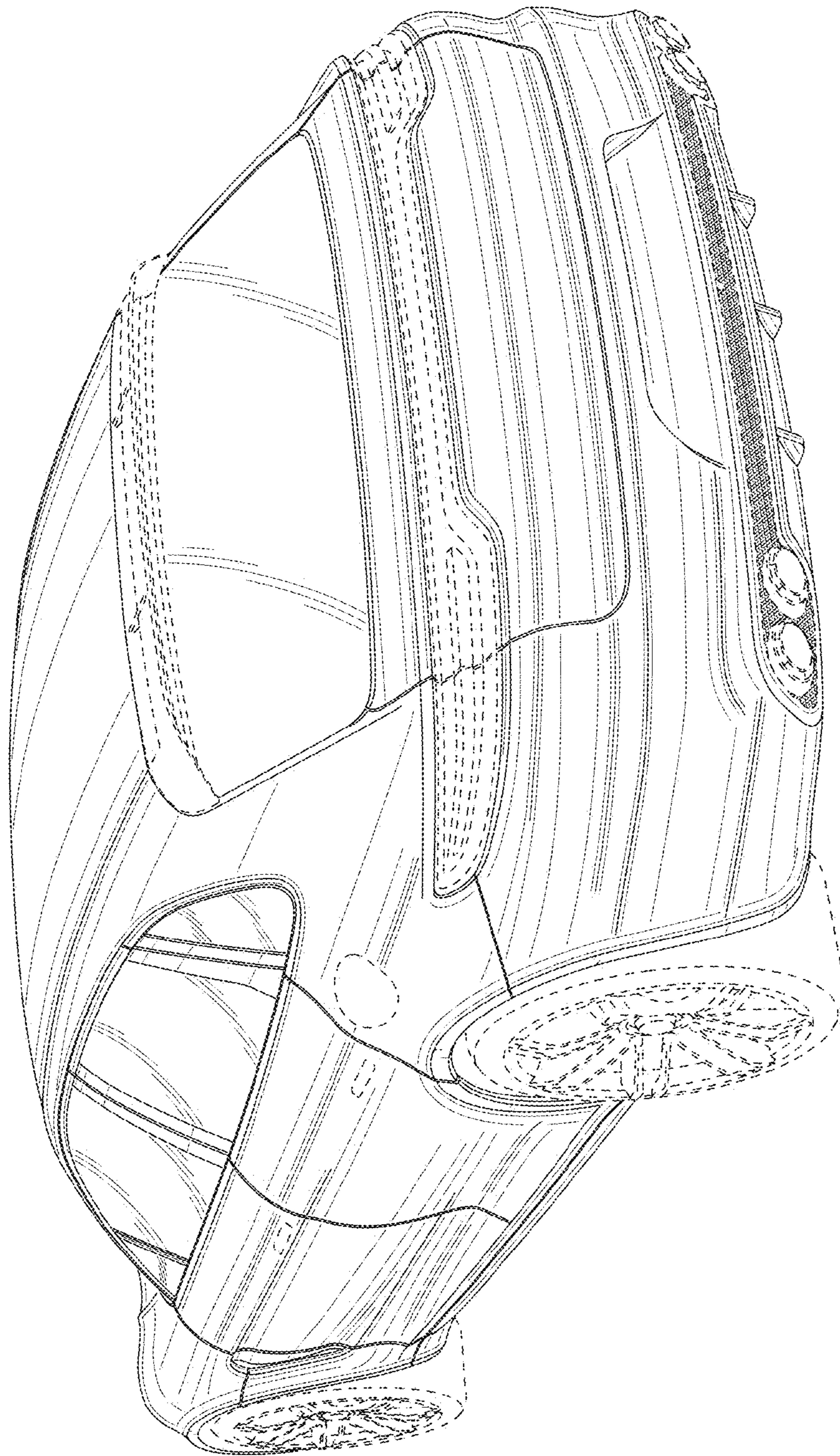


FIG. 2

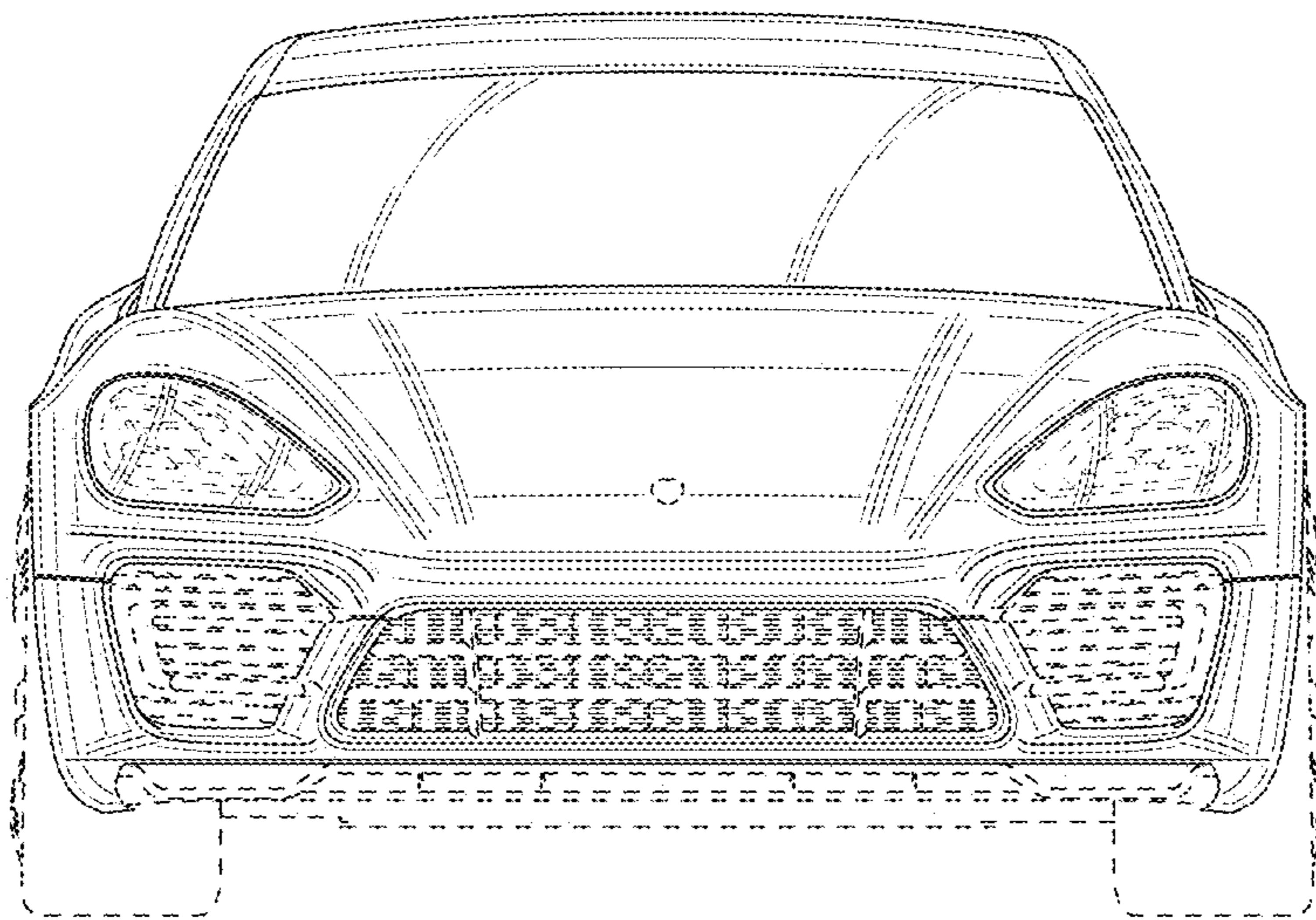


FIG. 3

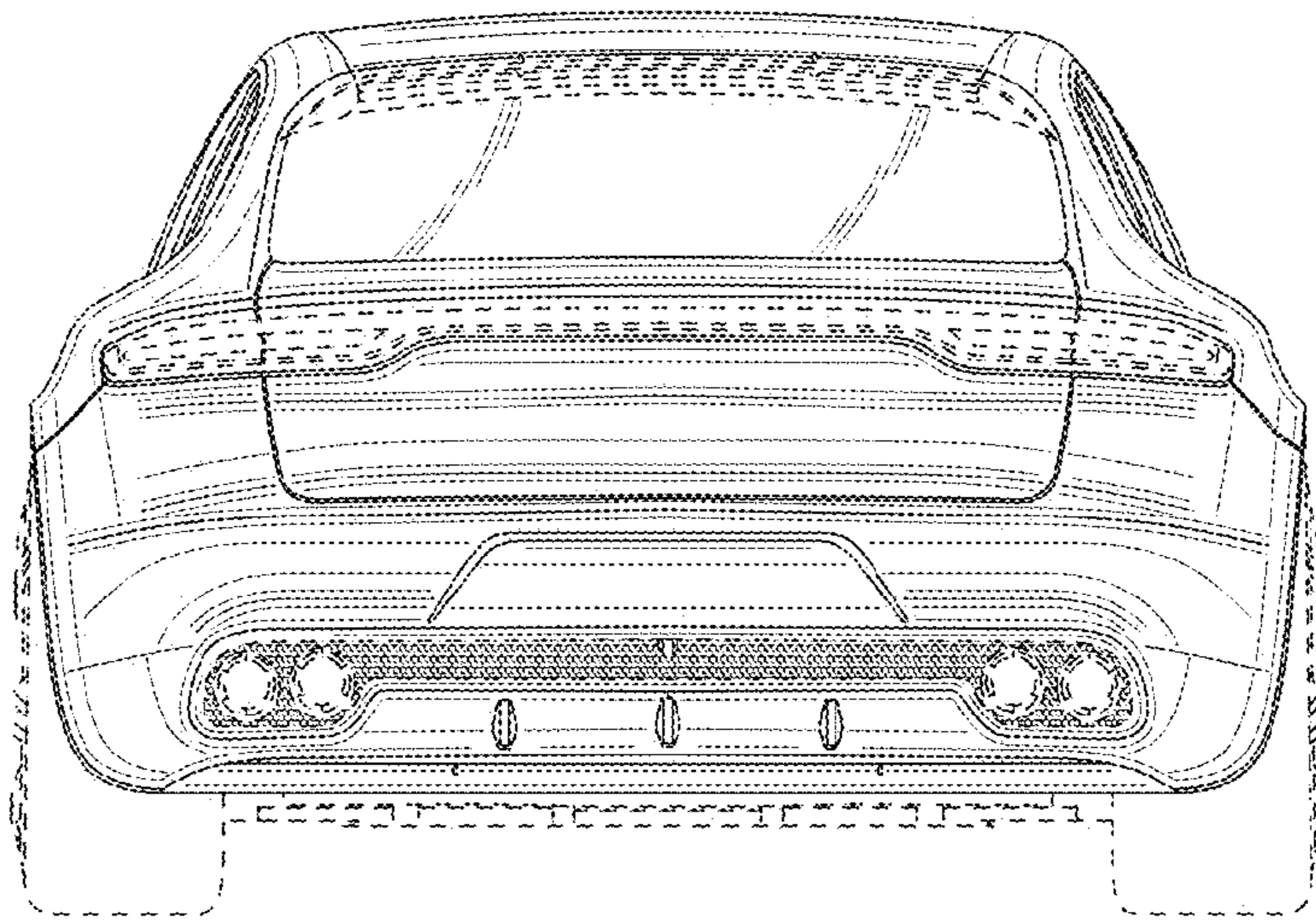


FIG. 4

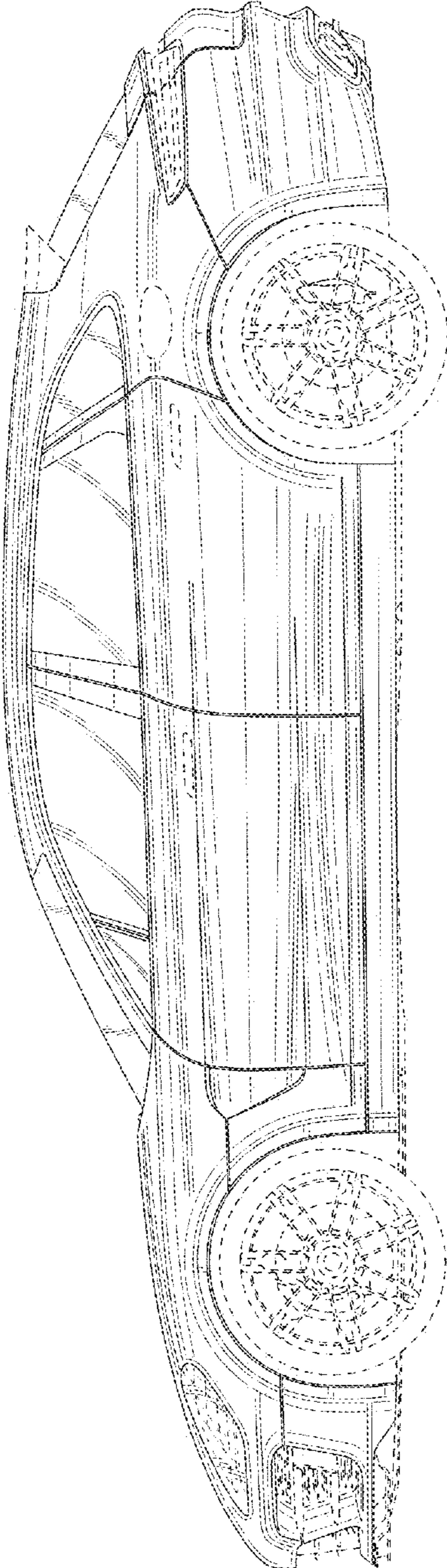


FIG. 5

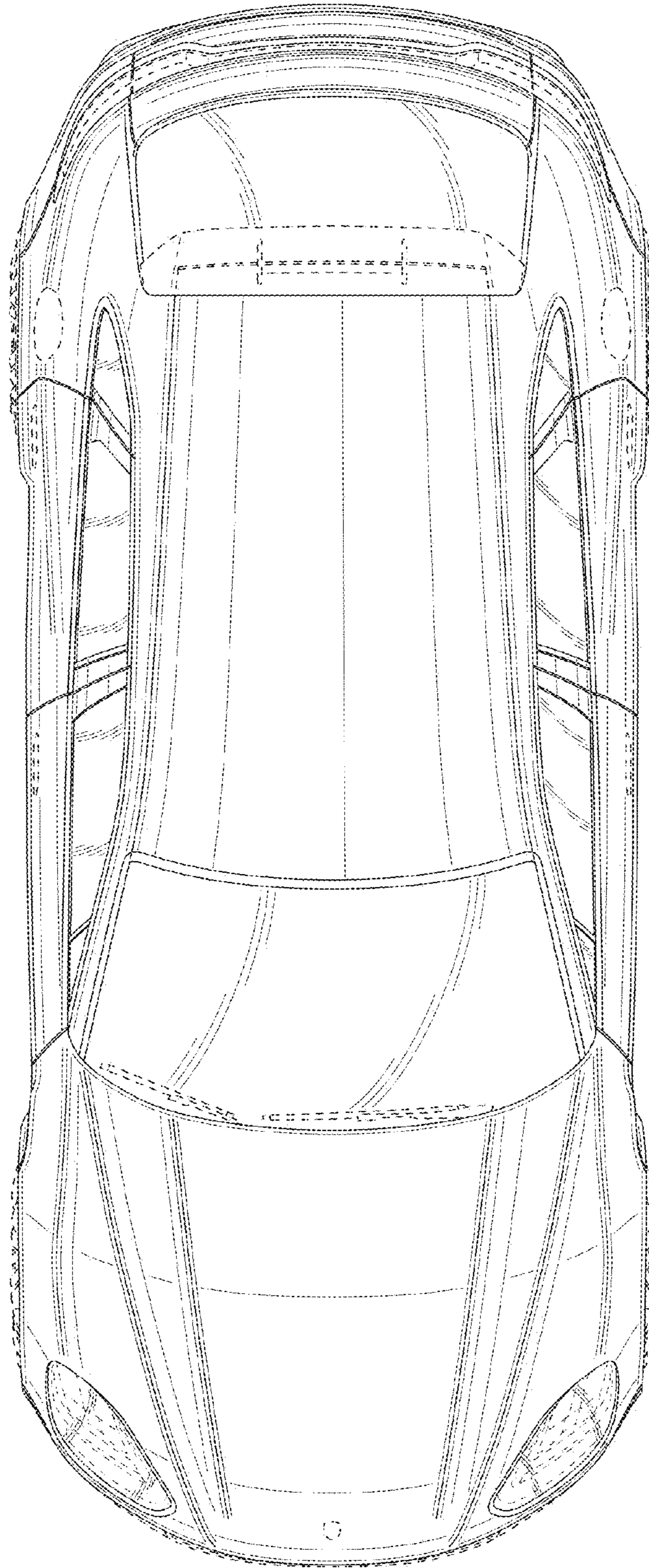


FIG. 6