



US00D700540S

(12) **United States Design Patent**
Kaneko

(10) **Patent No.:** **US D700,540 S**
(45) **Date of Patent:** **** Mar. 4, 2014**

(54) **BUCKLE**

(71) Applicant: **YKK Corporation**, Tokyo (JP)

(72) Inventor: **Hitoshi Kaneko**, Toyama (JP)

(73) Assignee: **YKK Corporation** (JP)

(**) Term: **14 Years**

(21) Appl. No.: **29/458,838**

(22) Filed: **Jun. 24, 2013**

(30) **Foreign Application Priority Data**

Dec. 25, 2012 (JP) 2012-031406

(51) **LOC (10) Cl.** **02-07**

(52) **U.S. Cl.**
USPC **D11/216**

(58) **Field of Classification Search**
USPC D11/1, 2, 200-219, 222-237; 24/163 R,
24/169-171, 173, 177-179, 191, 194-195,
24/197, 200, 614-616, 625

See application file for complete search history.

(56) **References Cited**

U.S. PATENT DOCUMENTS

D329,210 S *	9/1992	Cullmann	D11/216
D335,476 S *	5/1993	Stathis	D11/216
D352,680 S *	11/1994	Matoba	D11/216
D373,747 S *	9/1996	Anscher	D11/216
D400,474 S *	11/1998	Chou	D11/216
D454,093 S *	3/2002	Schlatter et al.	D11/216
D459,273 S *	6/2002	Murata	D11/216
D575,670 S *	8/2008	Niwa	D11/216

* cited by examiner

Primary Examiner — Ralf Seifert

(74) *Attorney, Agent, or Firm* — Kilpatrick Townsend & Stockton LLP

(57) **CLAIM**

The ornamental design for a buckle, as shown and described.

DESCRIPTION

FIG. 1 is a first perspective view of the front, bottom and right side of a buckle showing my new design;
FIG. 2 is a second perspective view of the rear, bottom and left side thereof;
FIG. 3 is a front view thereof;
FIG. 4 is a rear view thereof;
FIG. 5 is a left side view thereof;
FIG. 6 is a right side view thereof;
FIG. 7 is a top plan view thereof; and,
FIG. 8 is a bottom view thereof.

1 Claim, 6 Drawing Sheets

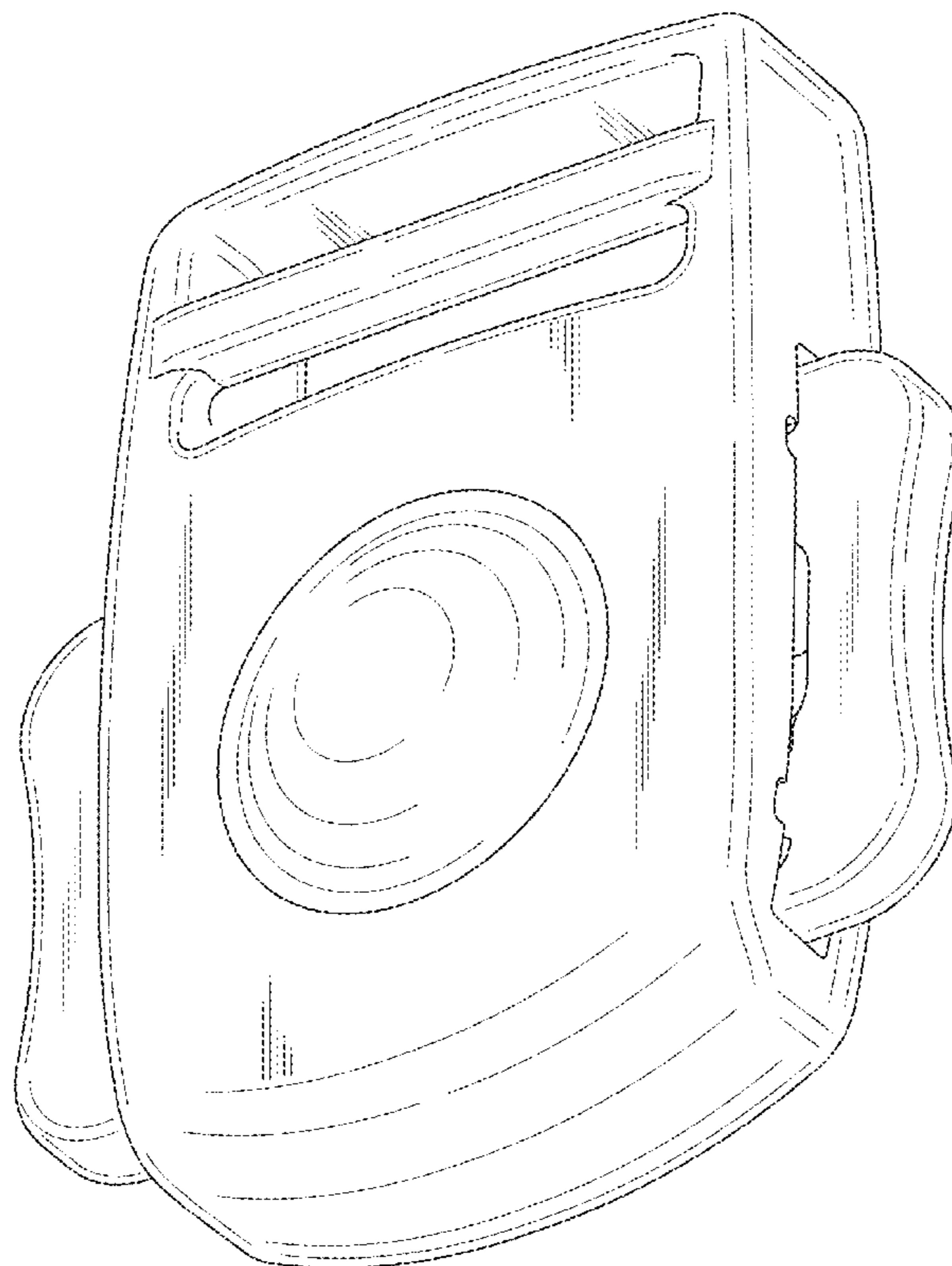


Fig. 1

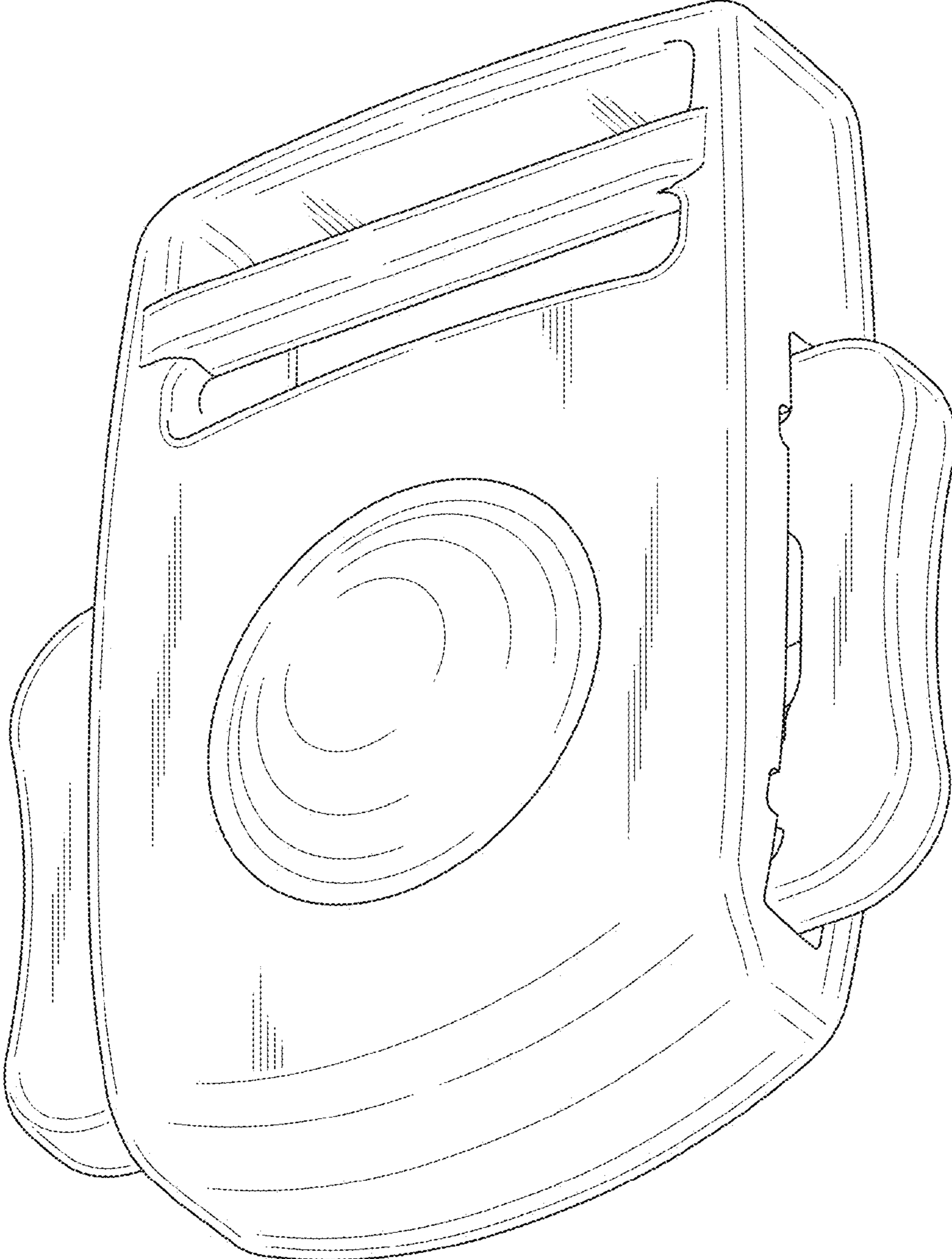


Fig. 2

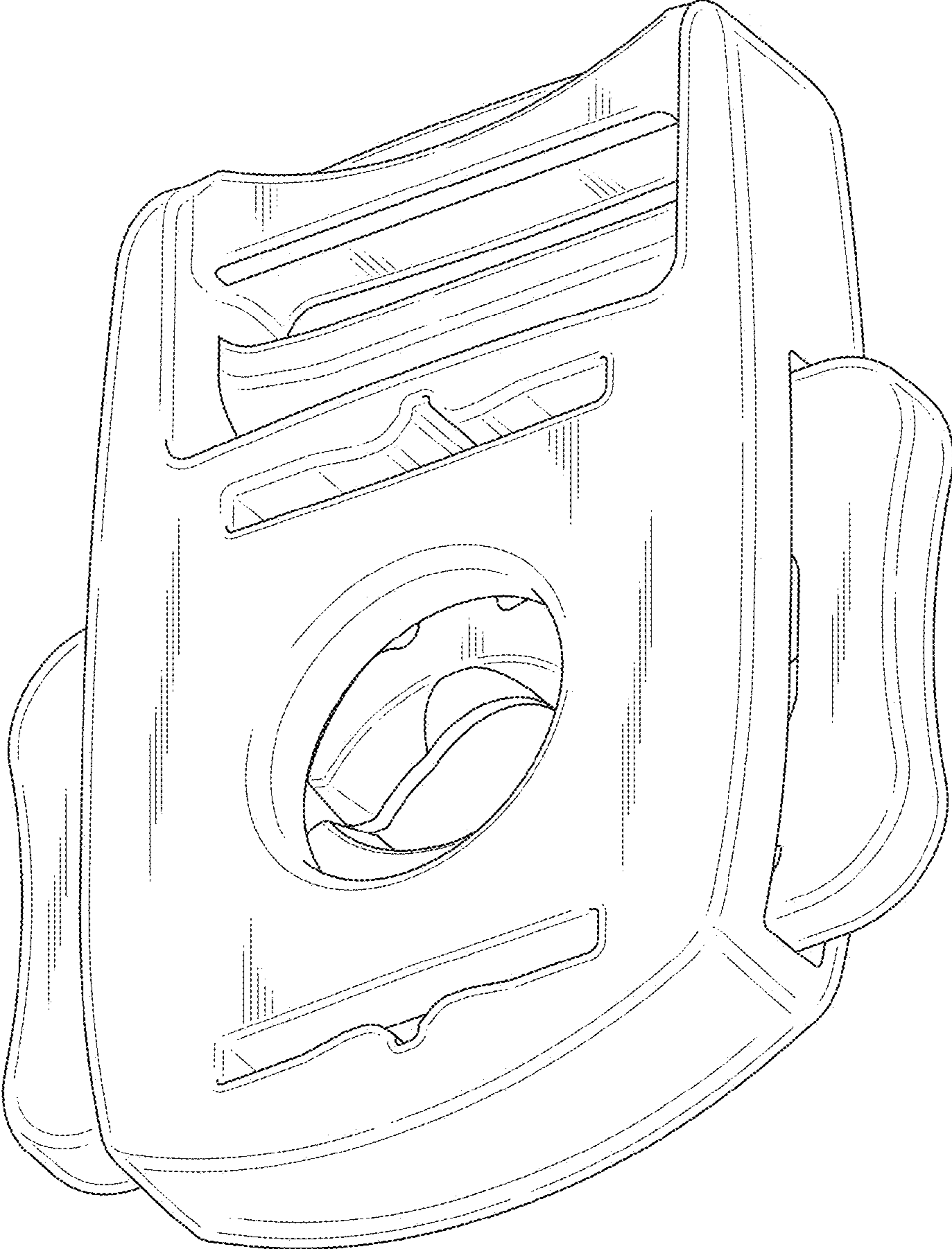


Fig. 3

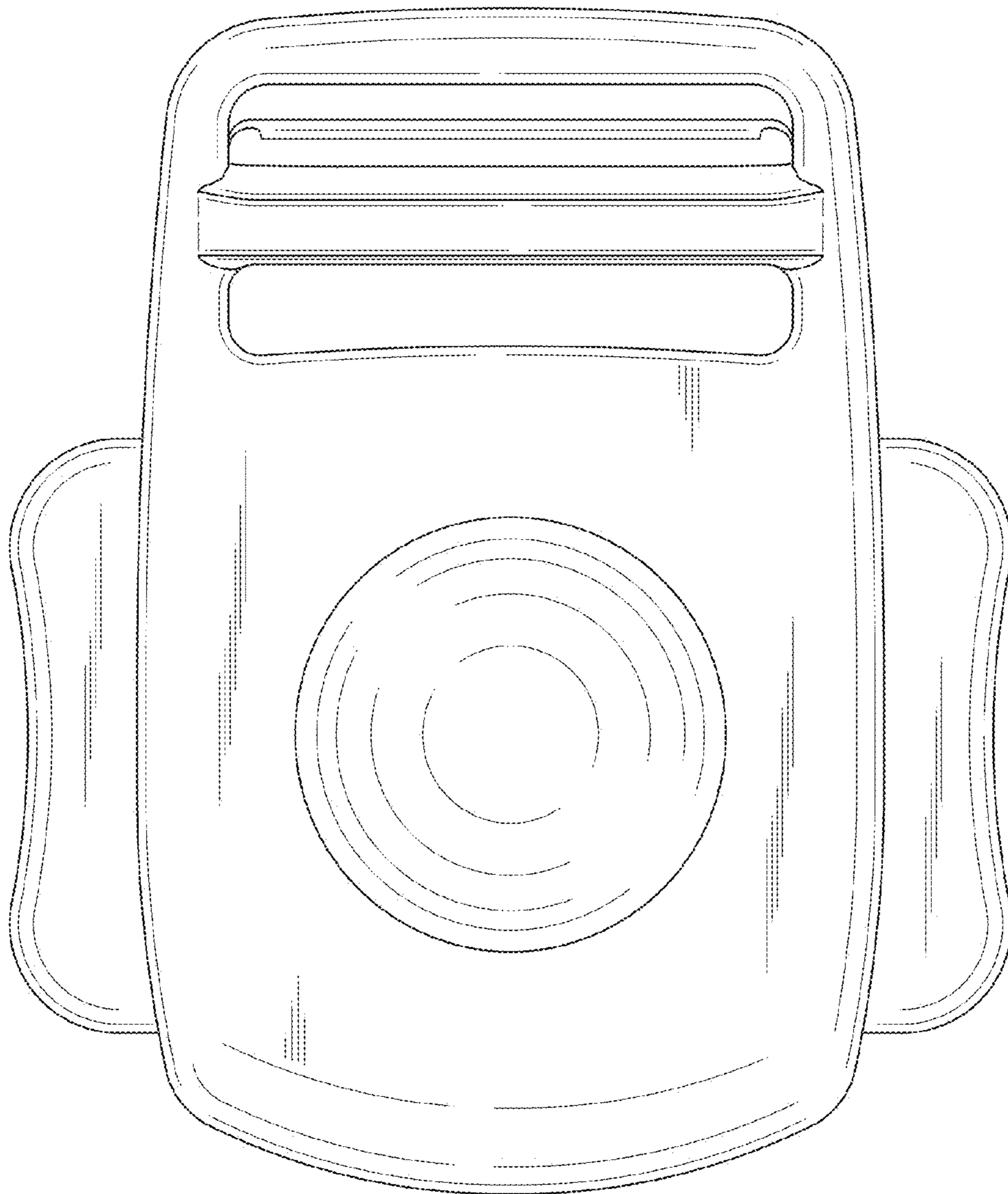


Fig. 4

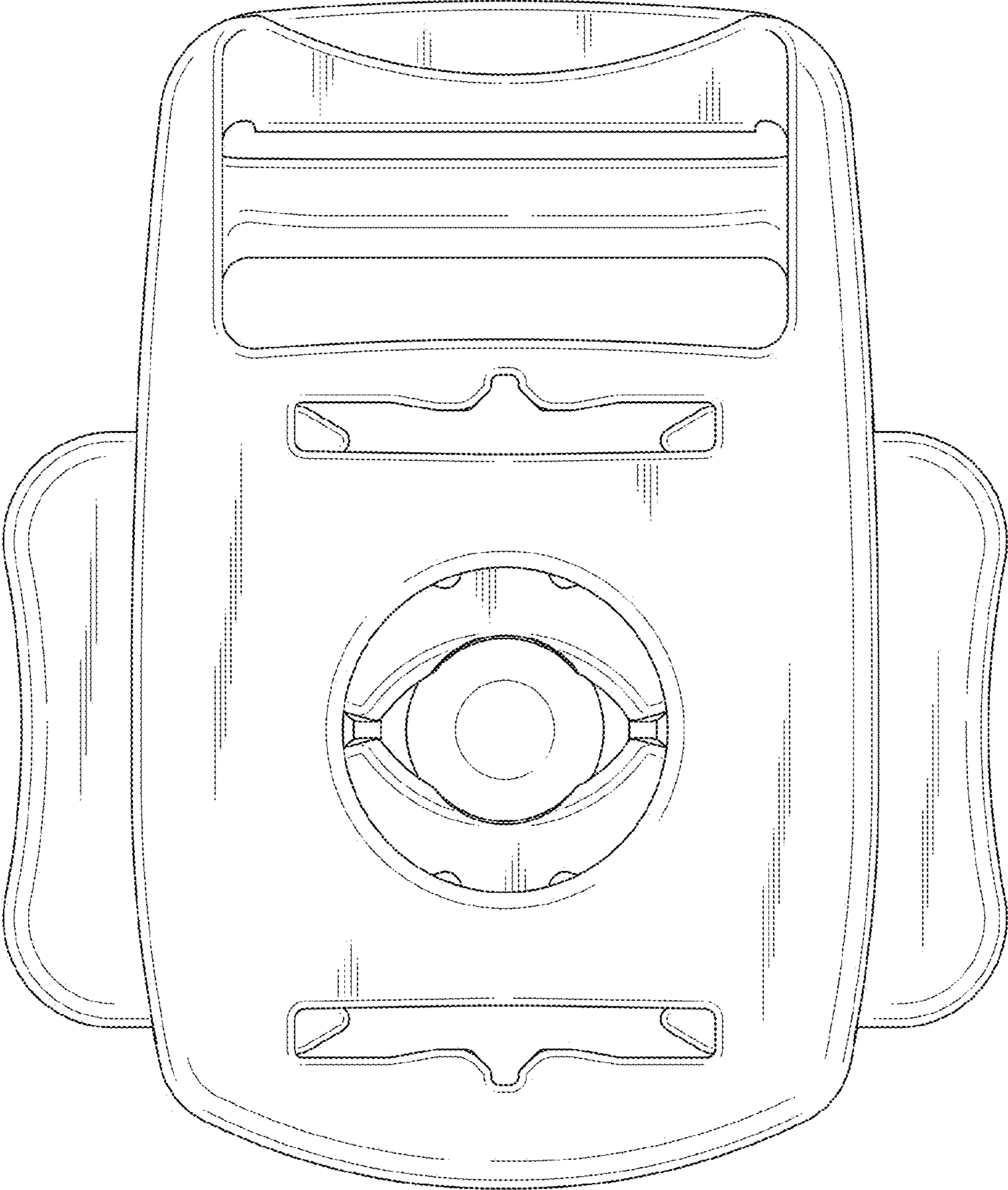


Fig. 5

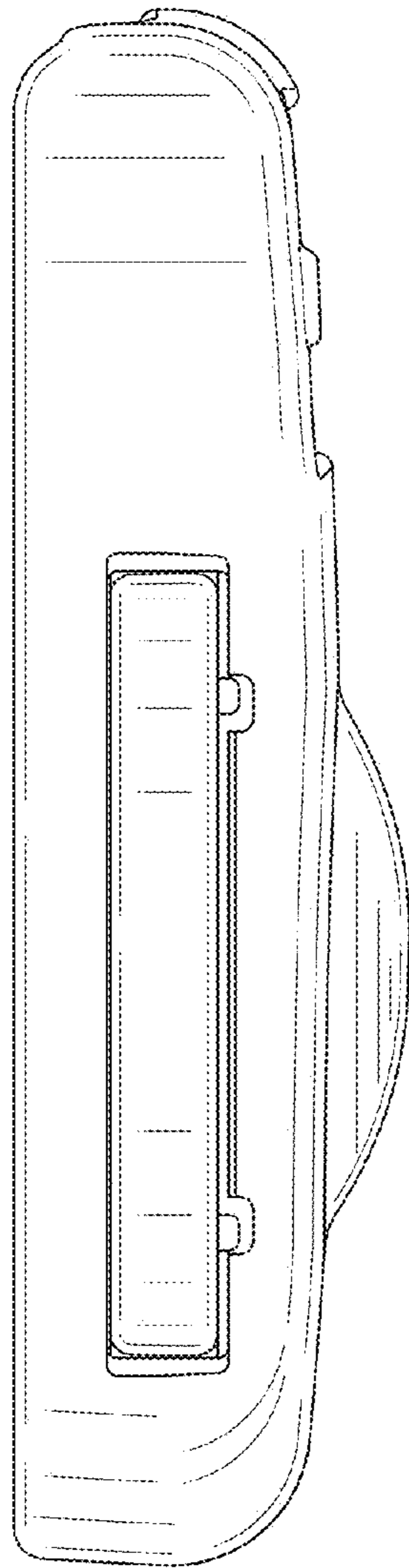


Fig. 6

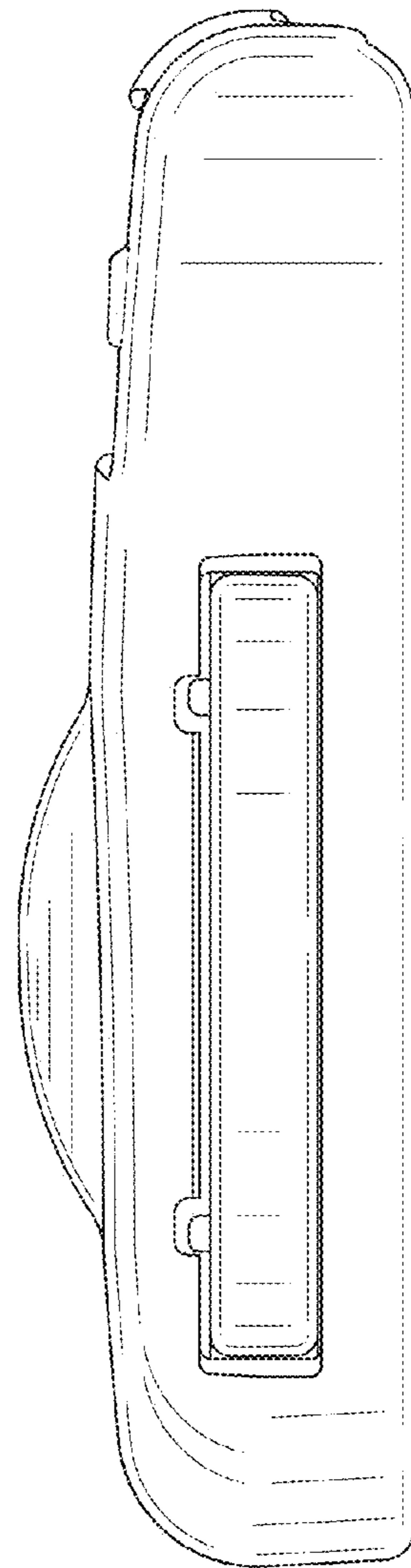


Fig. 7

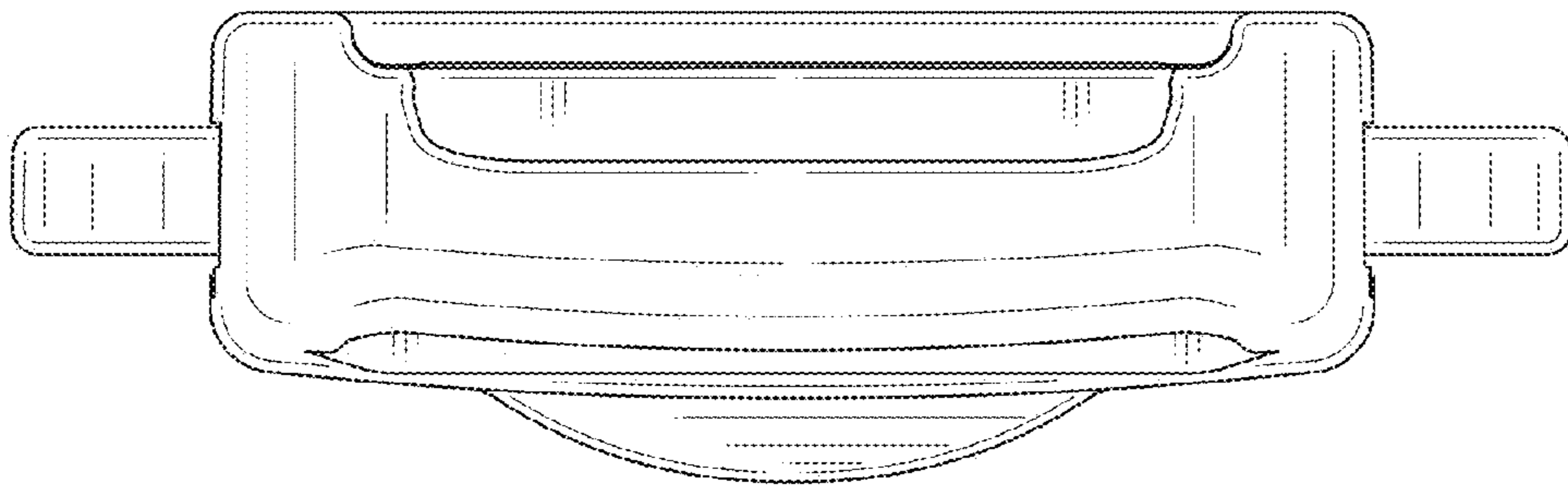


Fig. 8

