



US00D700537S

(12) **United States Design Patent**  
**Richter**

(10) **Patent No.:** **US D700,537 S**  
(45) **Date of Patent:** **\*\* Mar. 4, 2014**

(54) **STONE**

(56) **References Cited**

(71) Applicant: **Swarovski Aktiengesellschaft**, Triesen  
(LI)

U.S. PATENT DOCUMENTS

(72) Inventor: **Gregor Richter**, Innsbruck (AT)

D594,772 S *	6/2009	Forster .....	D11/90
D608,684 S *	1/2010	Swarovski .....	D11/90
D609,599 S *	2/2010	Bartl .....	D11/90
D626,026 S *	10/2010	Granig .....	D11/89
D647,815 S *	11/2011	Froehlich .....	D11/90

(73) Assignee: **Swarovski Aktiengesellschaft**, Triesen  
(LI)

\* cited by examiner

(\*\*) Term: **14 Years**

*Primary Examiner* — Ralf Seifert

(21) Appl. No.: **29/441,290**

(74) *Attorney, Agent, or Firm* — Wenderoth, Lind & Ponack,  
L.L.P.

(22) Filed: **Jan. 3, 2013**

(57) **CLAIM**

I claim the ornamental design for an ornamental stone, as shown and described.

(30) **Foreign Application Priority Data**

**DESCRIPTION**

Aug. 9, 2012 (EM) ..... 002085852

(51) **LOC (10) Cl.** ..... **11-01**

(52) **U.S. Cl.**  
USPC ..... **D11/89**

(58) **Field of Classification Search**  
USPC ..... D11/1-2, 26-29, 89-92; 63/26-28, 32  
See application file for complete search history.

FIG. 1 is a front view of the embodiment of an ornamental stone of the present design;  
FIG. 2 is a back view of the embodiment;  
FIG. 3 is a left side view of the embodiment;  
FIG. 4 is a right side view of the embodiment;  
FIG. 5 is a top view of the embodiment;  
FIG. 6 is a bottom view of the embodiment; and,  
FIG. 7 is a perspective view of the embodiment.

**1 Claim, 7 Drawing Sheets**

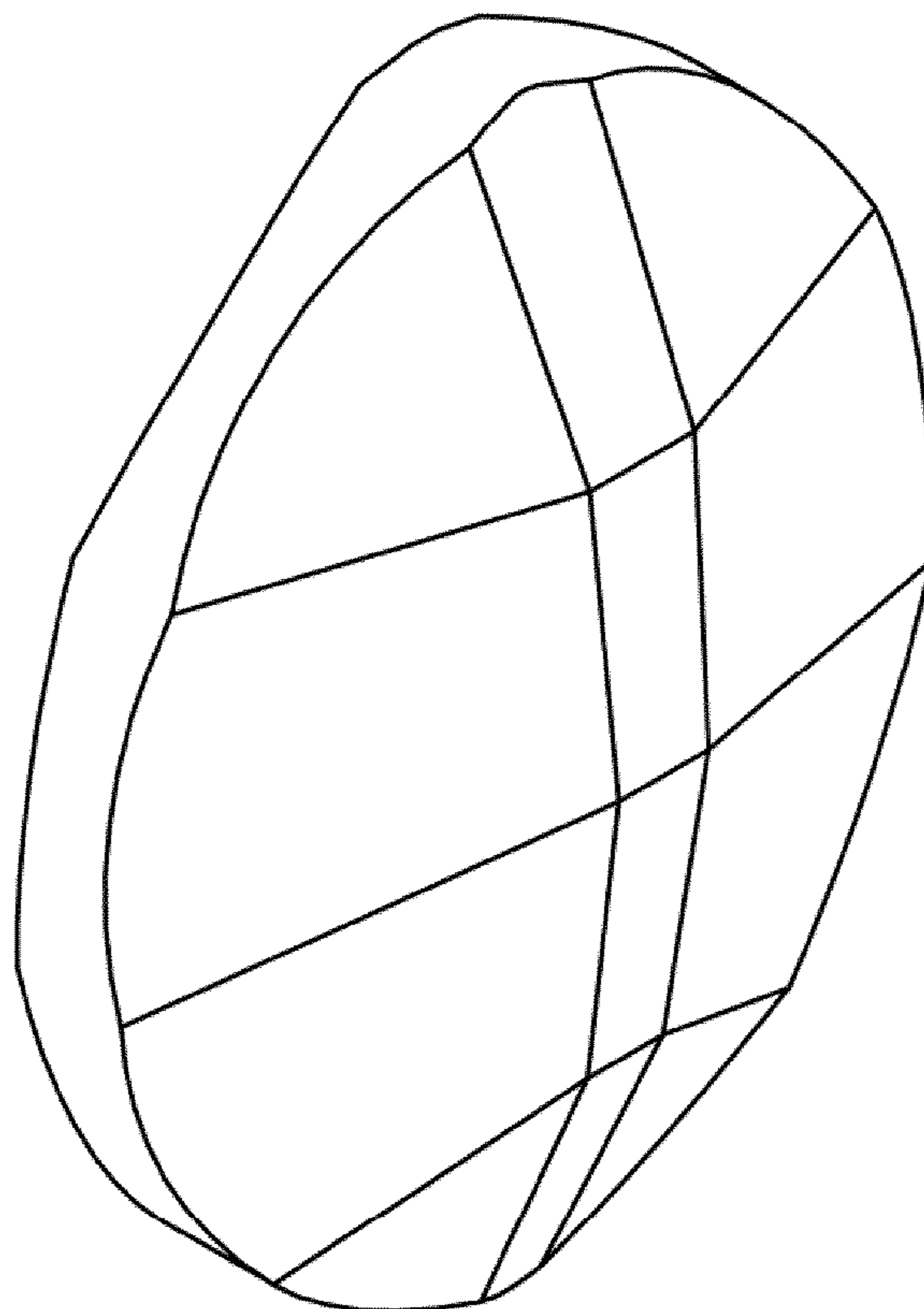


FIG. 1

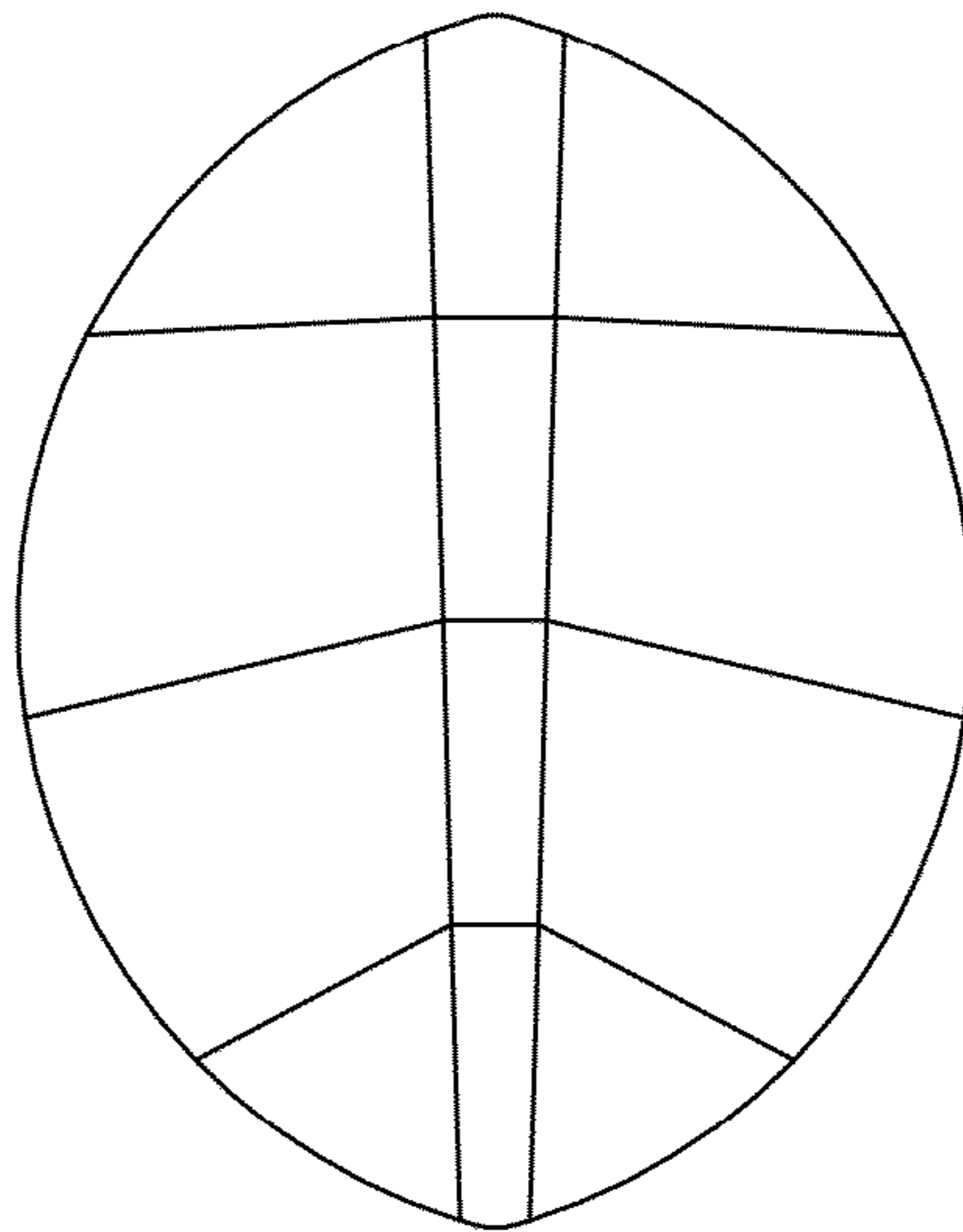


FIG. 2

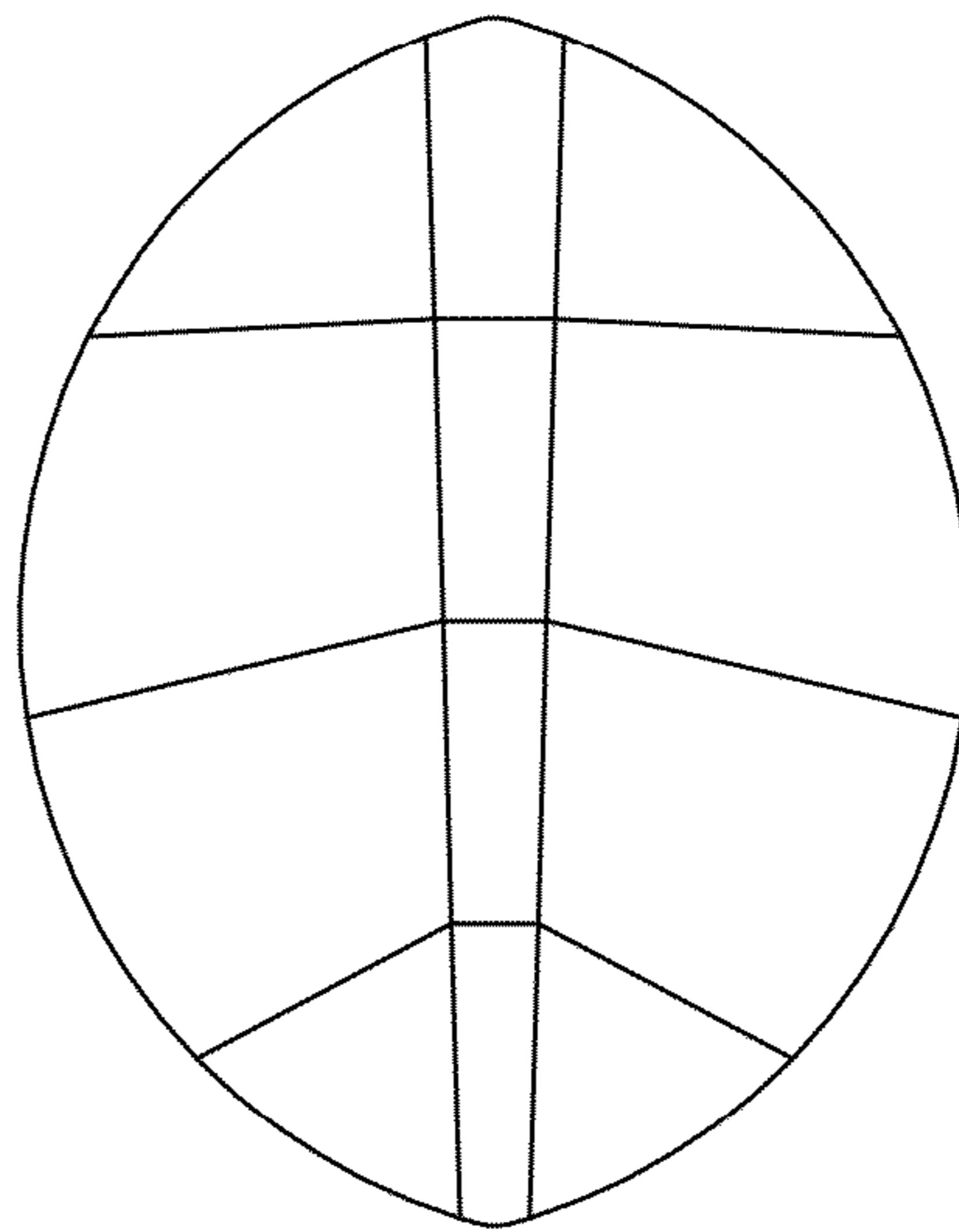


FIG. 3

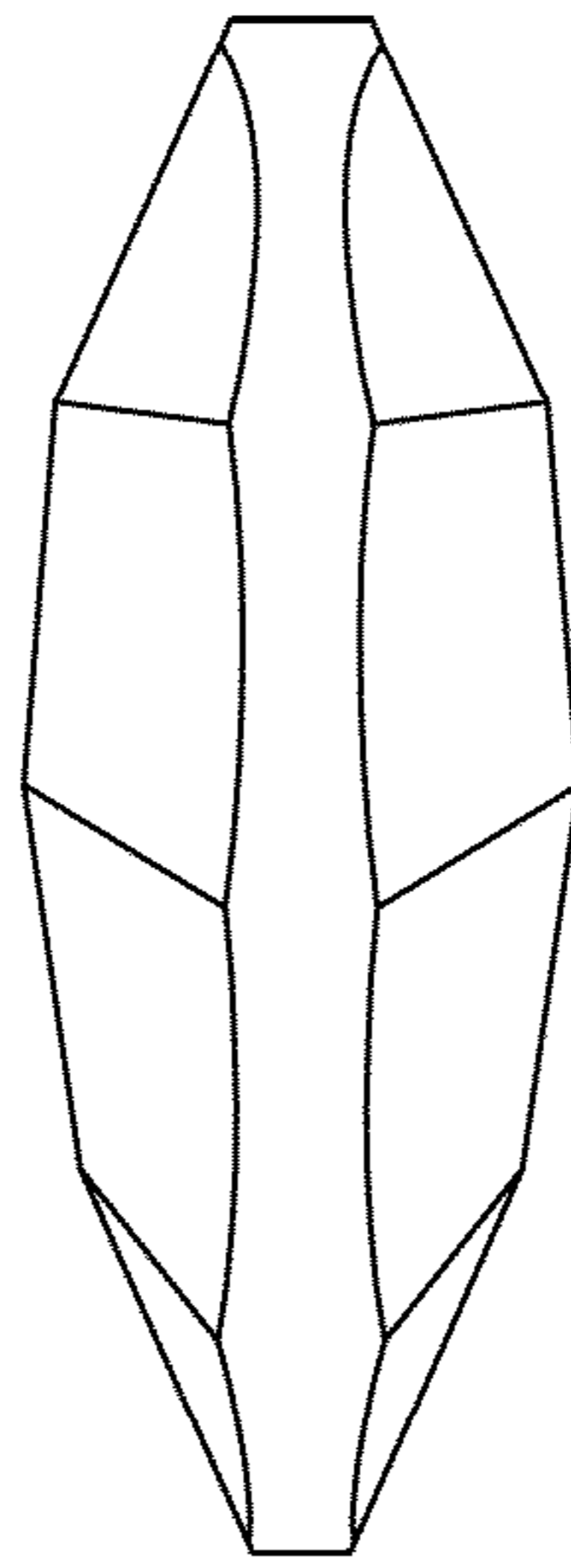


FIG. 4

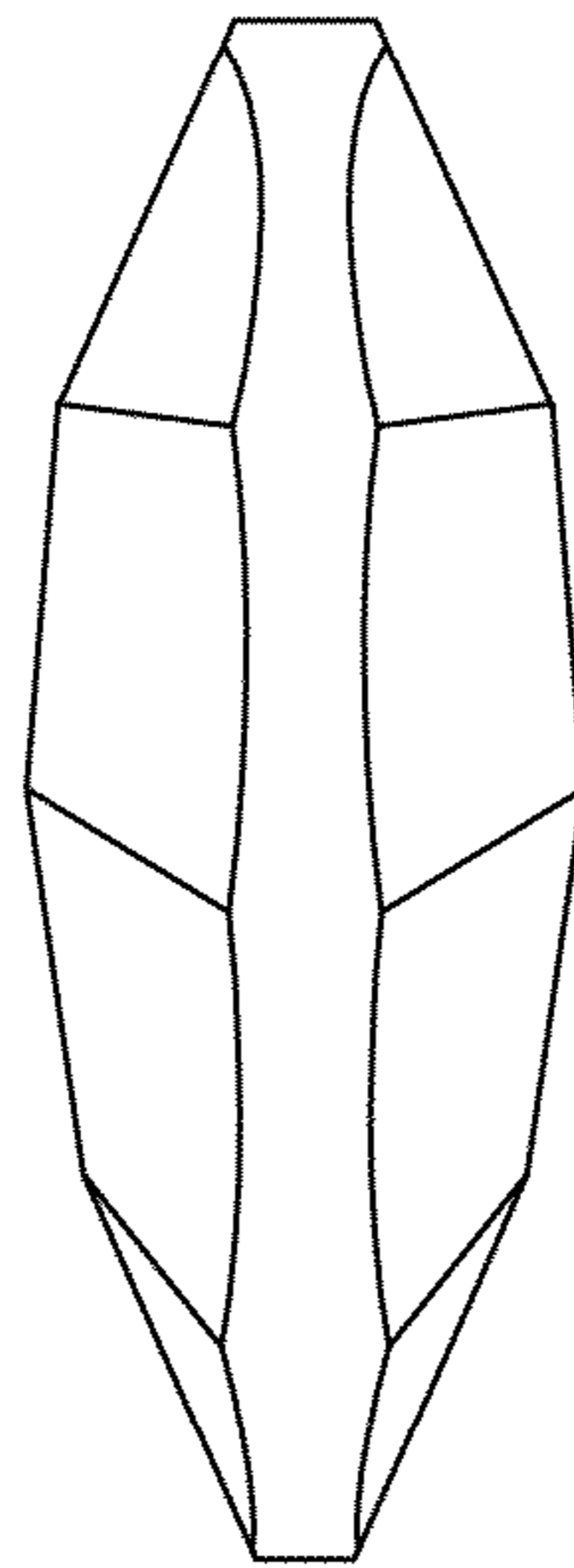


FIG. 5

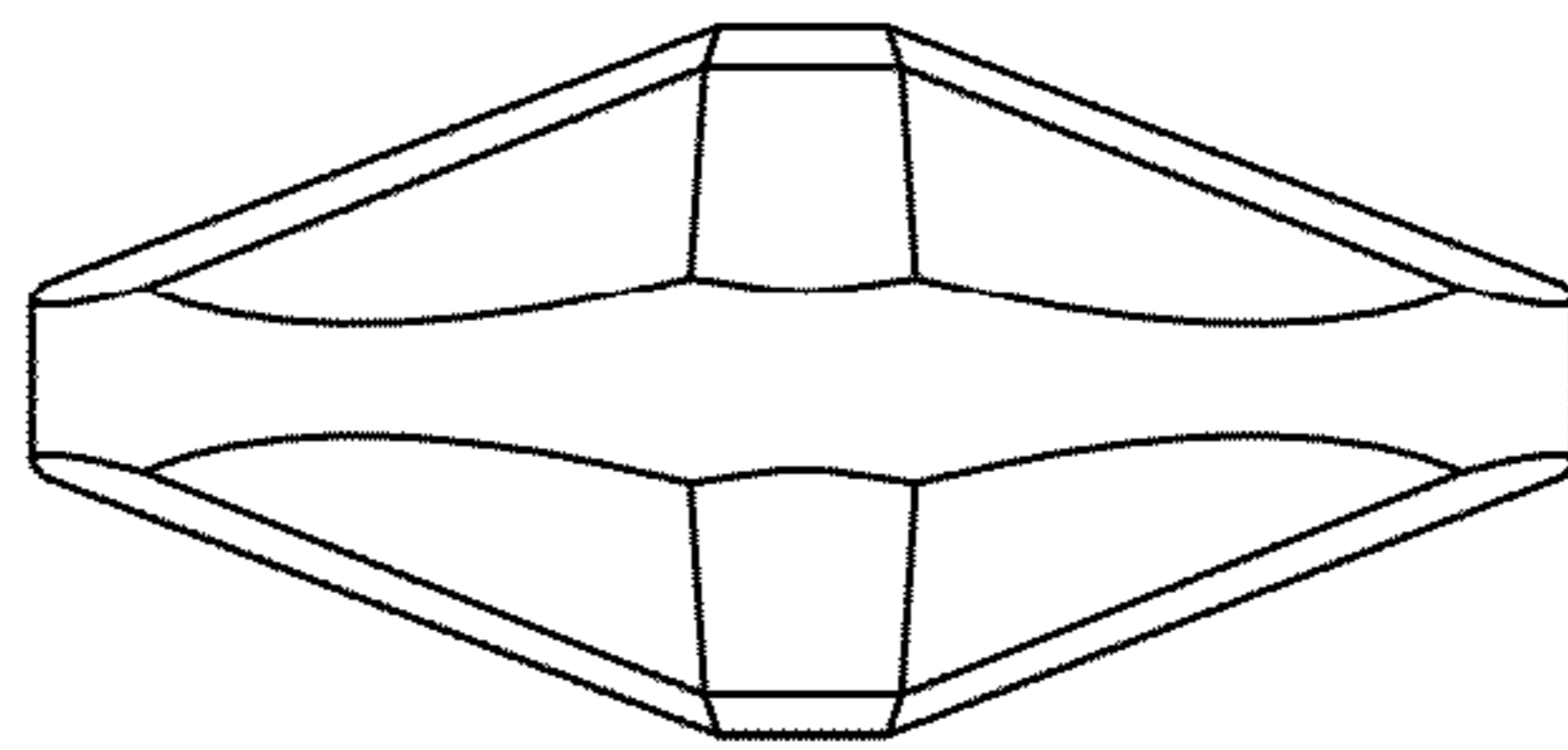


FIG. 6

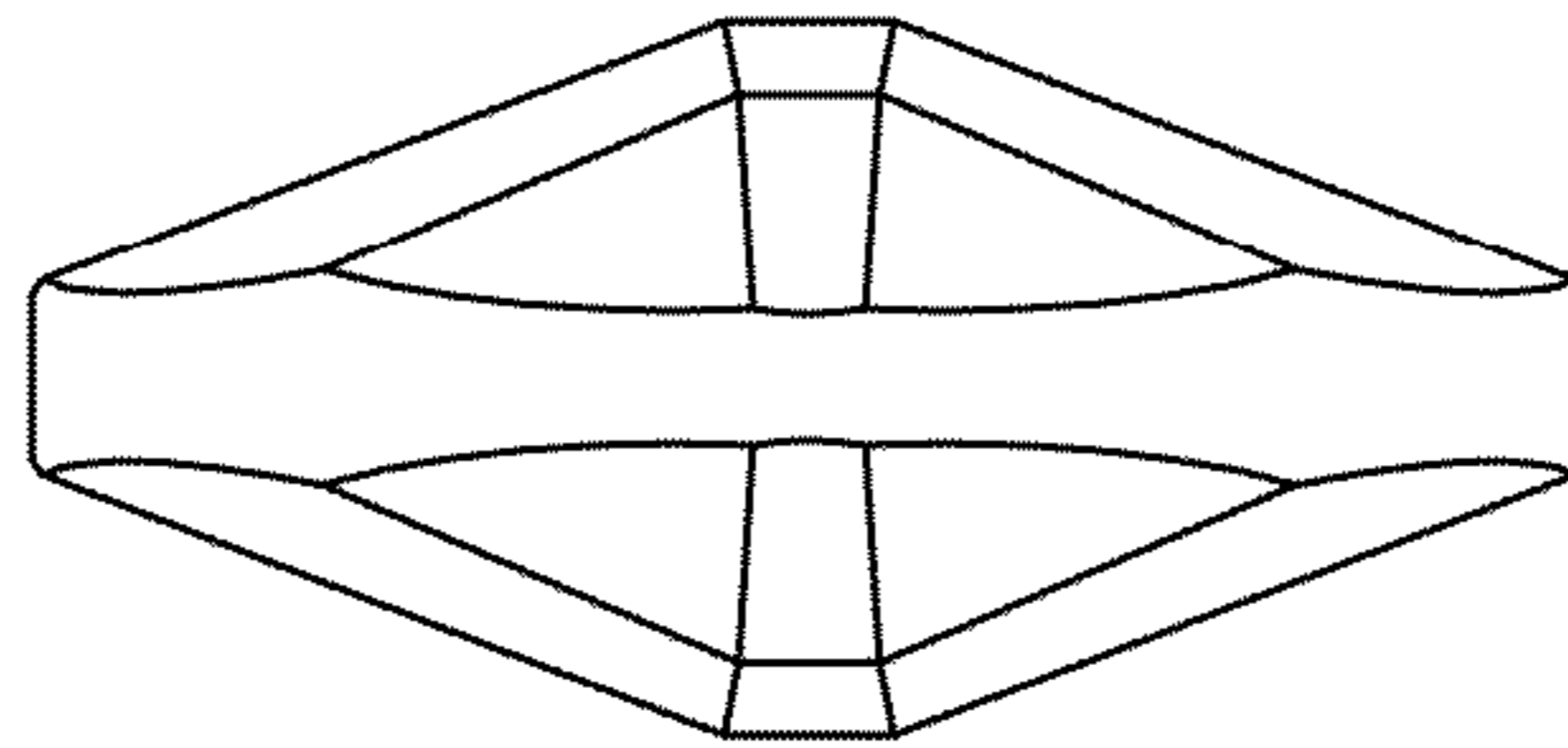


FIG. 7

