



US00D700536S

(12) **United States Design Patent**  
**Cerrato**

(10) **Patent No.:** **US D700,536 S**  
(45) **Date of Patent:** **\*\* Mar. 4, 2014**

(54) **WATCH CASE**

(75) Inventor: **Davide Cerrato**, Geneva (CH)

(73) Assignee: **Tudor Watch U.S.A., LLC**, New York, NY (US)

(\*\*) Term: **14 Years**

(21) Appl. No.: **29/401,884**

(22) Filed: **Sep. 16, 2011**

(30) **Foreign Application Priority Data**

Mar. 16, 2011 (CH) ..... 137820

(51) **LOC (10) Cl.** ..... **10-07**

(52) **U.S. Cl.**  
USPC ..... **D10/131; D10/128**

(58) **Field of Classification Search**  
USPC ..... D10/131, 122, 128, 30-39; 368/288,  
368/286, 290, 308, 319, 320, 321  
See application file for complete search history.

(56) **References Cited**

**U.S. PATENT DOCUMENTS**

3,427,800 A \* 2/1969 Blum ..... 368/223  
D241,238 S \* 8/1976 Grohoski ..... D10/131  
4,019,037 A \* 4/1977 Monna ..... 708/111

D473,475 S \* 4/2003 Baumann ..... D10/32  
D502,411 S \* 3/2005 Sabarthes et al. .... D10/39  
D508,416 S \* 8/2005 Tang ..... D10/30  
D517,432 S \* 3/2006 Laucella ..... D10/39  
D536,996 S \* 2/2007 Loth ..... D10/32  
D618,118 S \* 6/2010 Dolce et al. .... D10/38  
D628,499 S \* 12/2010 Duport et al. .... D10/38  
D656,414 S \* 3/2012 Parmigiani ..... D10/38  
D658,518 S \* 5/2012 Behling ..... D10/39  
D667,316 S \* 9/2012 Tonohori ..... D10/32  
D668,968 S \* 10/2012 Duport ..... D10/32

\* cited by examiner

*Primary Examiner* — Lucy Lieberman

(74) *Attorney, Agent, or Firm* — Sughrue Mion, PLLC

(57) **CLAIM**

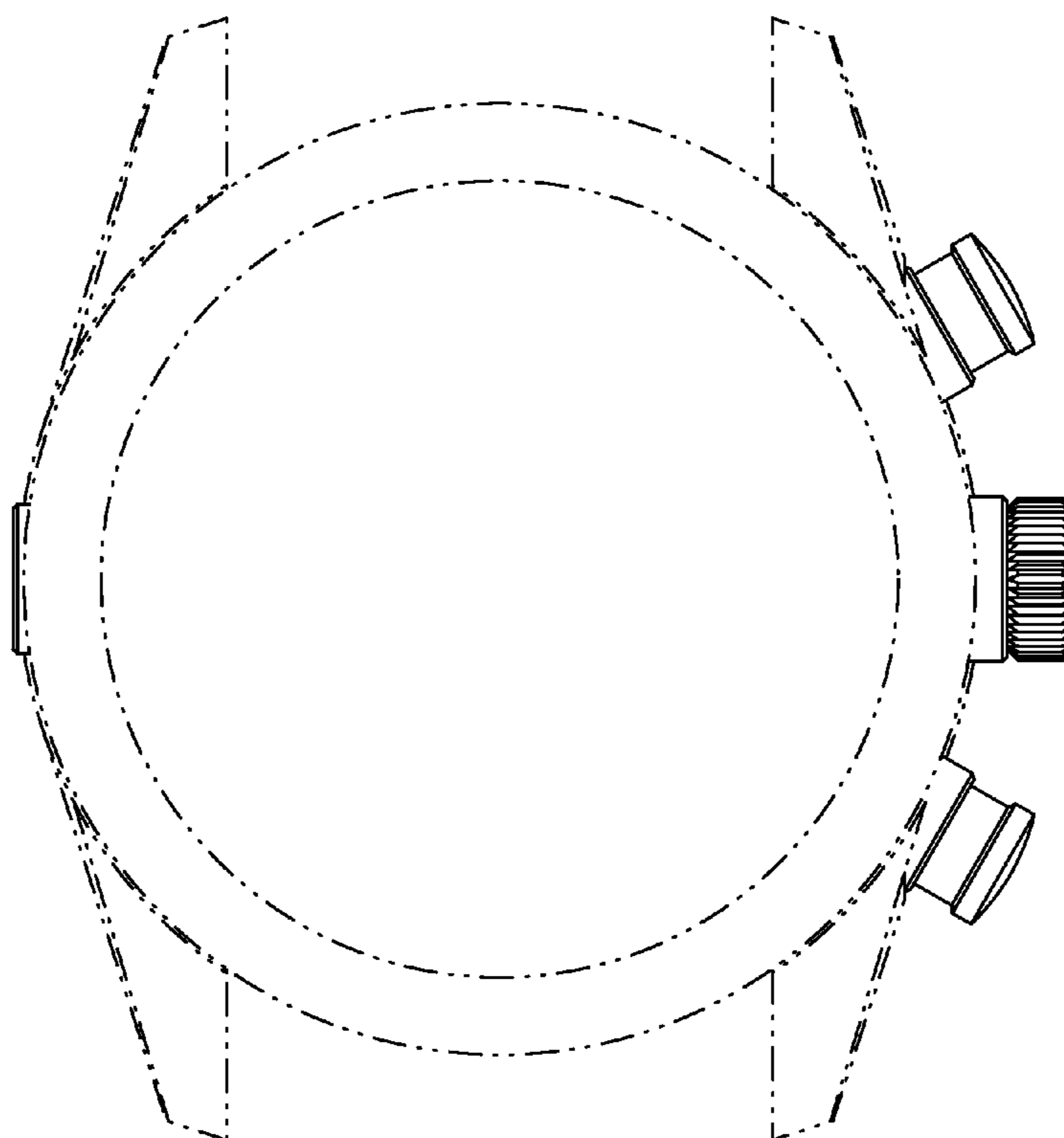
The ornamental design for a watch case, as shown and described.

**DESCRIPTION**

FIG. 1 is a right-top perspective view of the watch case;  
FIG. 2 is a top view of the watch case;  
FIG. 3 is a bottom view of the watch case;  
FIG. 4 is a front view of the watch case;  
FIG. 5 is a rear side view of the watch case;  
FIG. 6 is a right side view of the watch case; and,  
FIG. 7 is a left side view of the watch case.

The portions of the watch shown in broken lines are for the purpose of showing environment and form no part of the claimed design.

**1 Claim, 5 Drawing Sheets**



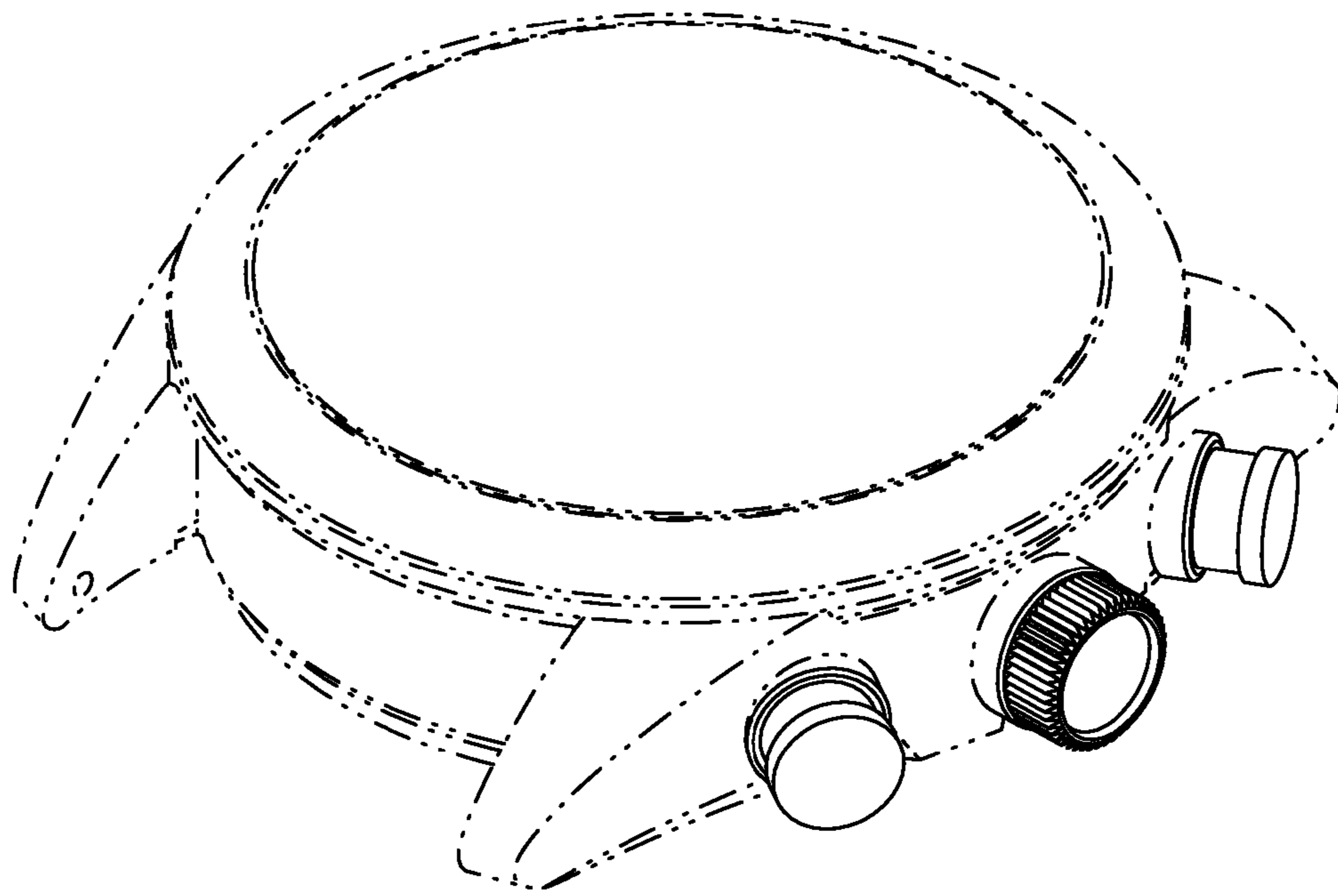


FIG. 1

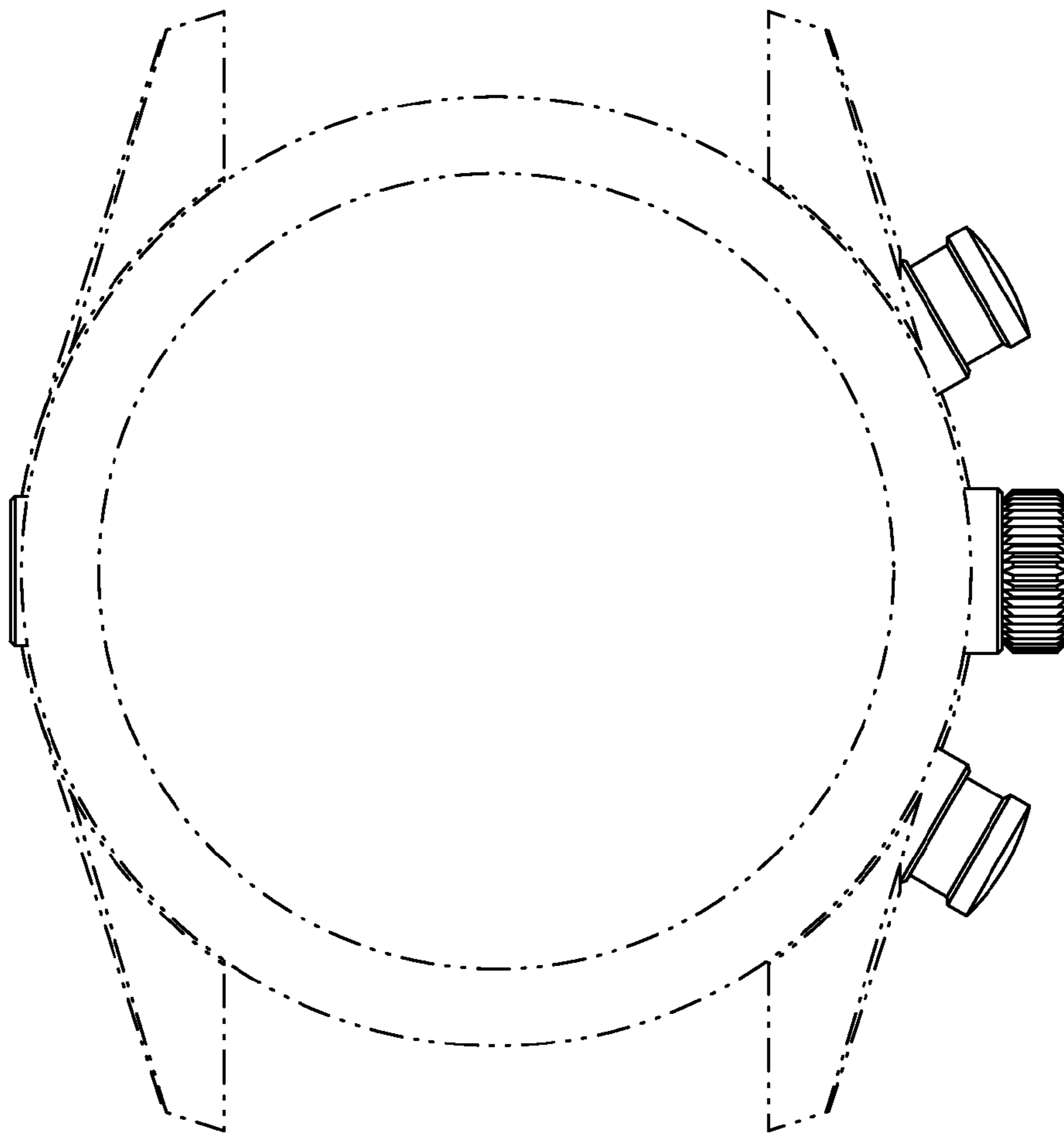


FIG. 2

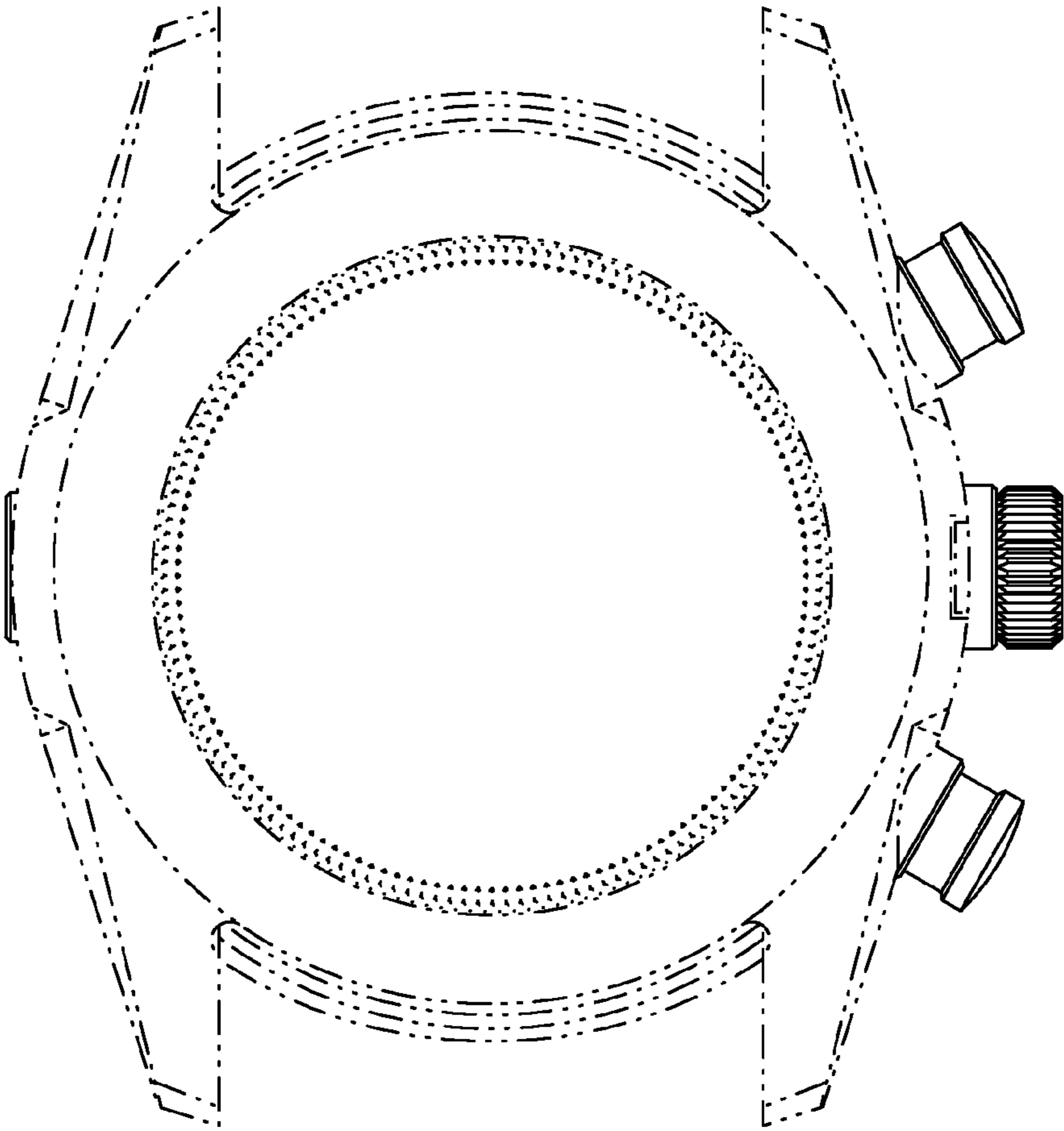


FIG. 3

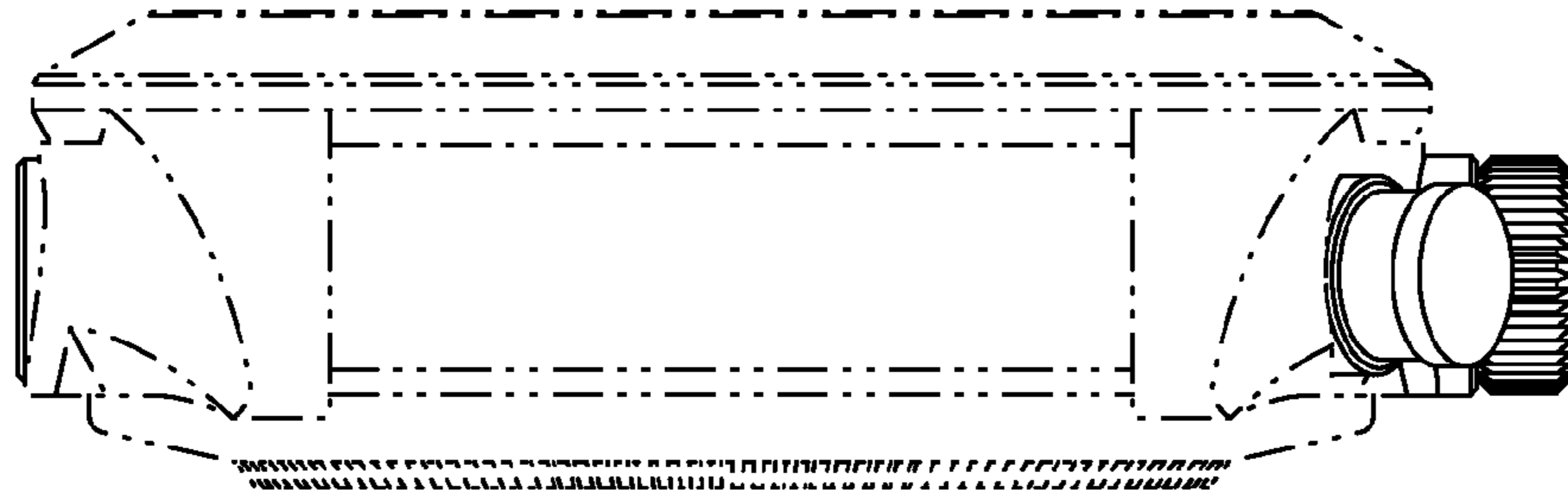


FIG. 4

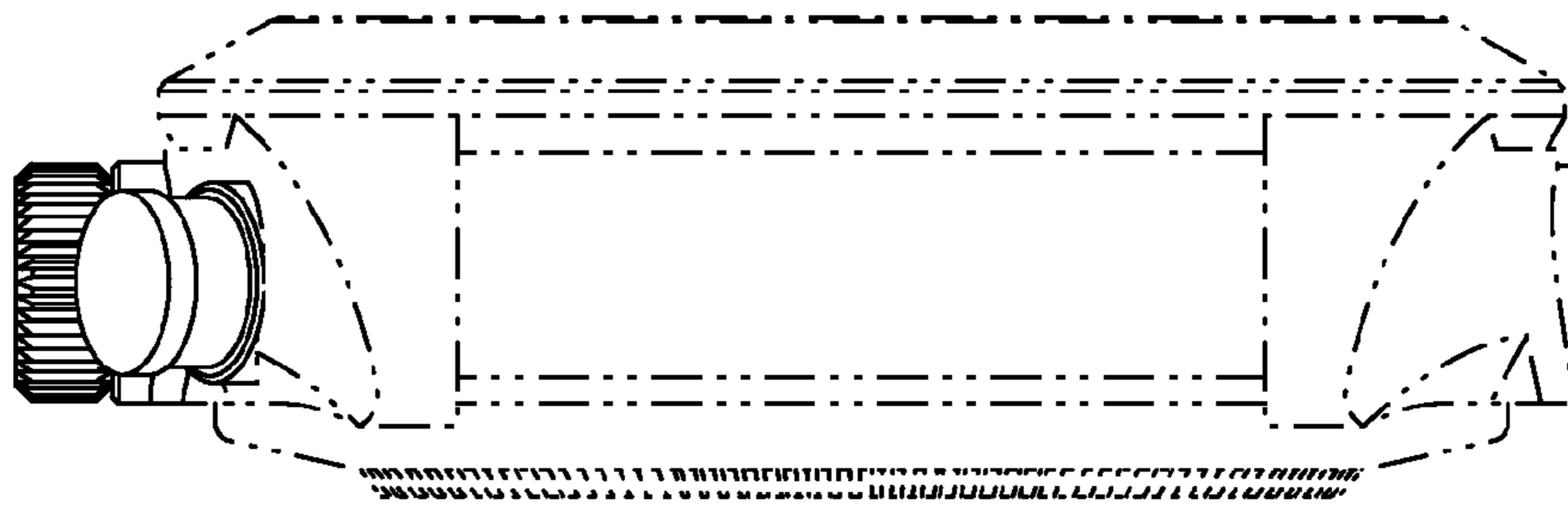


FIG. 5

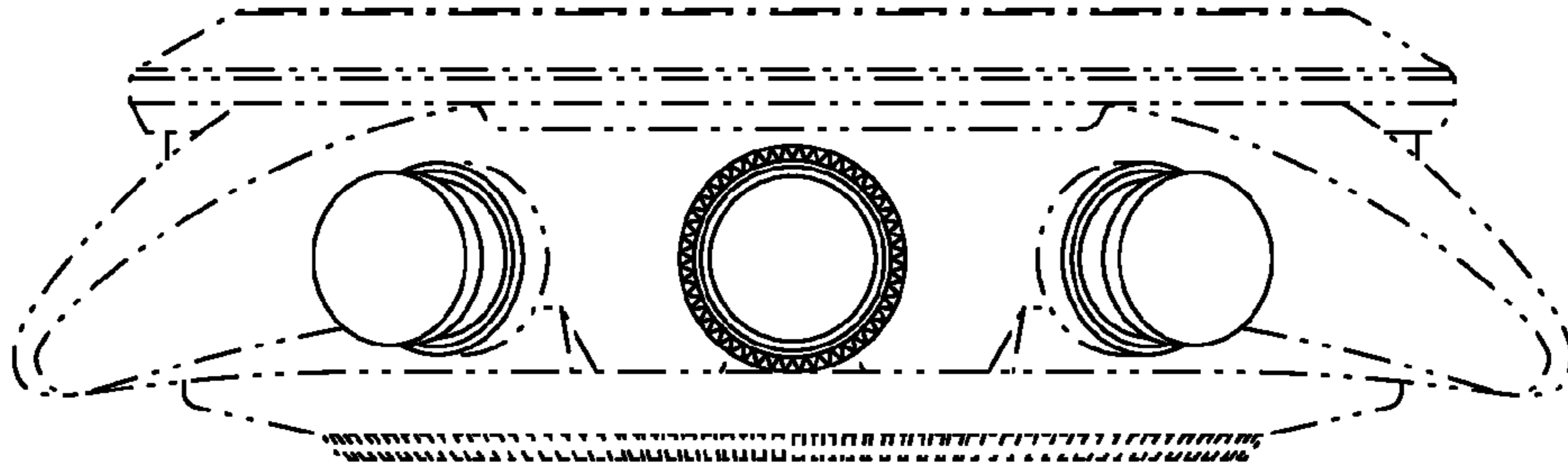


FIG. 6

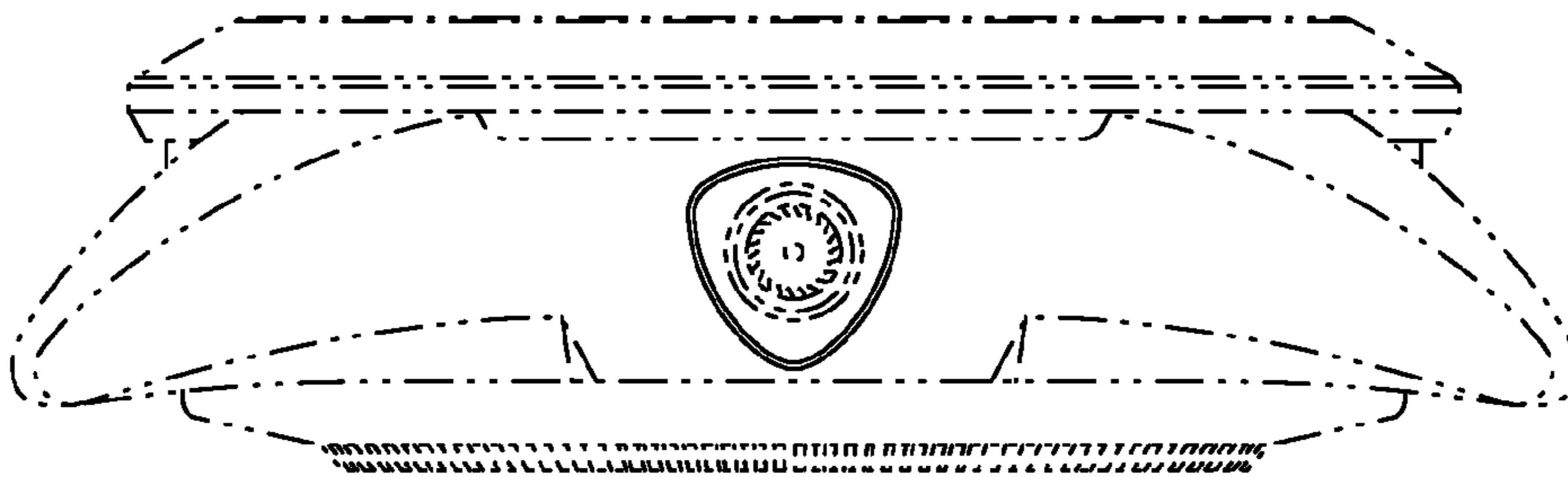


FIG. 7